

NEO *SERIES*
PARTS CATALOGUE

FOREWORD

We have great pleasure in releasing the first edition of Neo series Parts catalogue. This parts catalogue is applicable for the following models

1. NEO - SW DRUM
2. NEO - SW DISC
3. NEO - Xi CW
4. NEO - 3Xi SW DRUM
5. NEO - 3Xi SW DISC
6. NEO - 3Xi CW

This catalogue is designed to assist you to select correct parts for ordering.

TVS Genuine parts have a rigorous standard of quality check at various stages. So while it becomes important to use only TVS-G parts. In continues efforts in improving the performance and efficiency of the vehicle, design, specifications, diagram/illustrations and part numbers can change without any notice. It is your responsibility to get your parts catalogue updated through the information given to you from TVS Motor.

While ordering parts please ensure that correct part number, description and quantity are specified clearly.

Please note that the drawings and illustrations used in this parts catalogue are only a reference for the dealer to order spare parts. This cannot be used for anything related to repair/maintanance. For such purpose please refer applicable service manual of this model.

This parts catalogue is exclusively for PT TVS Motor Company authorised outlets only.

In case of assistance please contact us.

PT TVS MOTOR COMPANY INDONESIA

KATA PENGANTAR

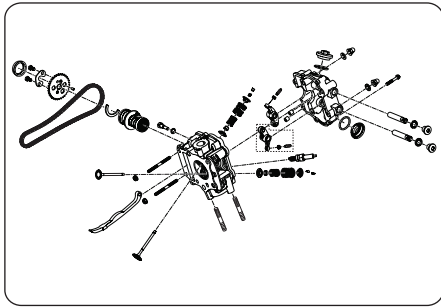
CONTENTS

CHAPTER		PAGE NO.
	Chapter Index	v
1	Cylinder Head Assembly	01
2	Cylinder & Crankshaft Assembly	05
3	Crankcase Assembly	09
4	Clutch & cover clutch assembly	11
5	Magneto Assembly	17
6	Muffler Assembly	21
7	Carburettor Assembly	23
8	Air cleaner Assembly	29
9	Kickstarter Assembly	31
10	Transmission Assembly	33
11	Gear shift Mechanism	37
12	Starter Motor Assembly	41
13	Fuel system	43
14	Frame Assembly	45
15	Center stand & footrest Assembly	47
16	Pillion footrest Assembly	49
17	Seat Assembly	51

CONTENTS

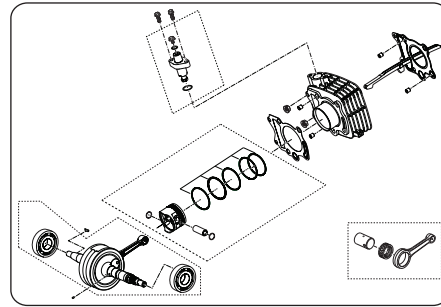
CHAPTER	PAGE NO.
18 Handle bar Assembly	53
19 Headlamp Assembly	59
20 Headlamp & tail lamp Assembly	63
21 Speedometer Assembly	67
22 Front & rear fender Assembly	69
23 Cover frame Assembly	71
24 Style parts Neo	73
25 Style parts X3i	75
26 Electrical	79
27 Front suspension	83
28 Front wheel Assembly (DRUM)	87
29 Front wheel Assembly (DISC)	91
30 Rear suspension	93
31 Rear wheel Assembly	95
32 Disc brake Assembly	99
33 Tool kit	103
34 Painted parts	105
35 Numerical Index	114

CHAPTER INDEX



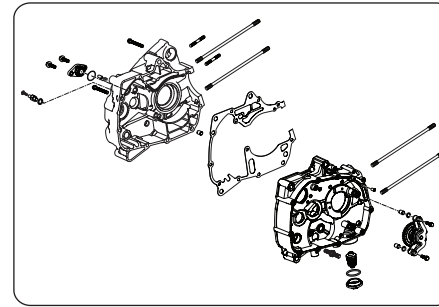
Cylinder Head Assembly

Fig. No. 01 on Page No. 1



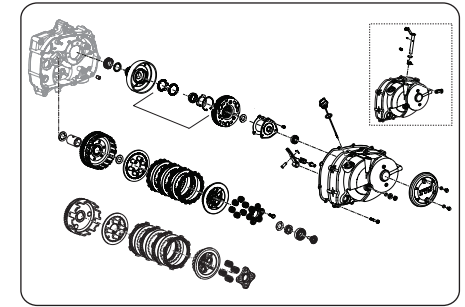
Cylinder & Crankshaft Assembly

Fig. No. 02 on Page No. 5



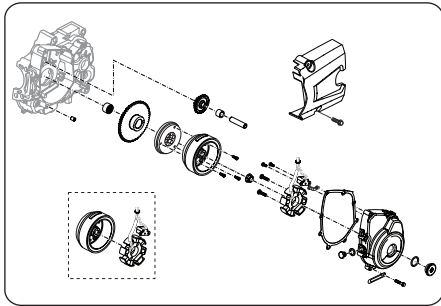
Crankcase Assembly

Fig. No. 03 on Page No. 9



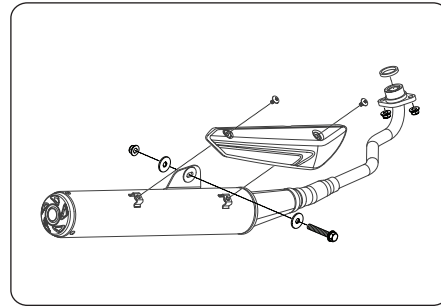
Clutch & Cover Clutch Assembly

Fig. No. 04 on Page No. 11



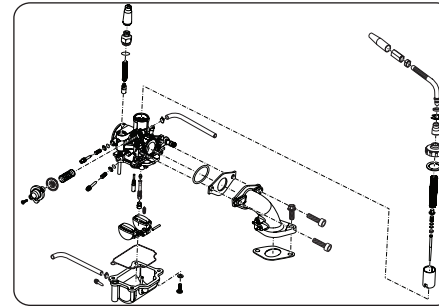
Magneto Assembly

Fig. No. 05 on Page No. 17



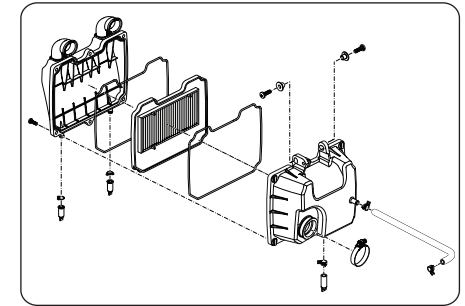
Muffler Assembly

Fig. No. 06 on Page No. 21



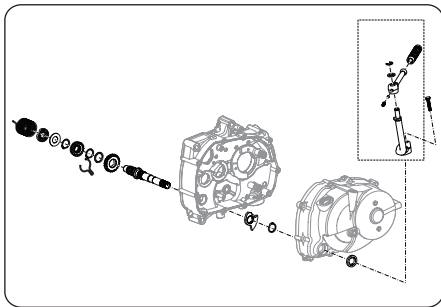
Carburettor Assembly

Fig. No. 07 on Page No. 23



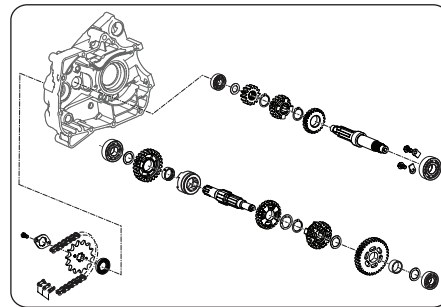
Air Cleaner Assembly

Fig. No. 08 on Page No. 29



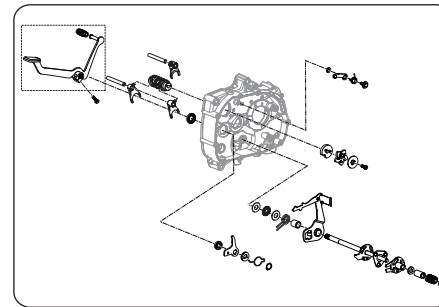
Kickstarter Assembly

Fig. No. 09 on Page No. 31



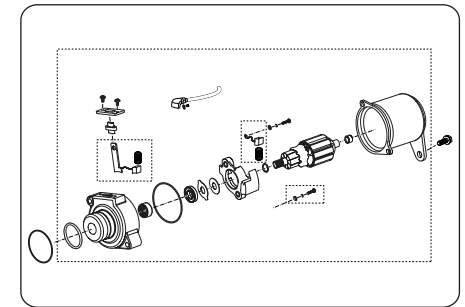
Transmission Assembly

Fig. No. 10 on Page No. 33



Gearshift Mechanism

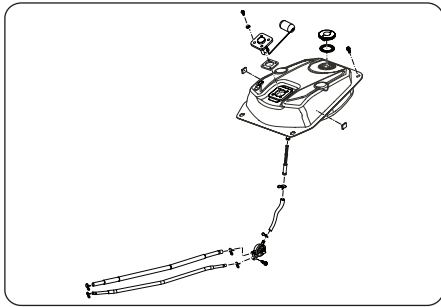
Fig. No. 11 on Page No. 37



Starter Motor Assembly

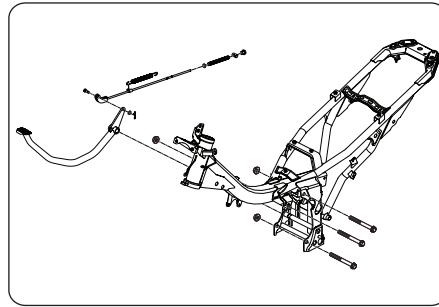
Fig. No. 12 on Page No. 41

CHAPTER INDEX



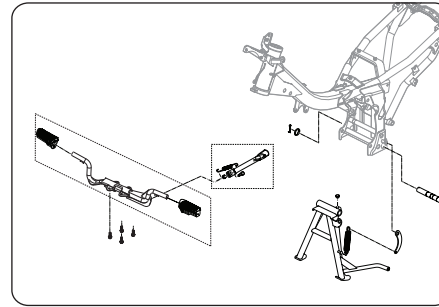
Fuel System

Fig. No. 13 on Page No. 43



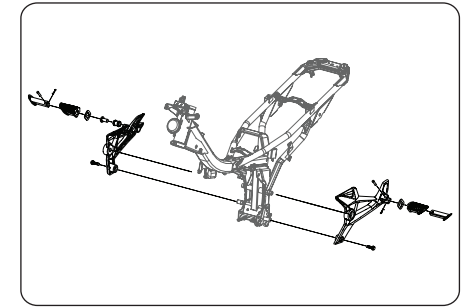
Frame Assembly

Fig. No. 14 on Page No. 45



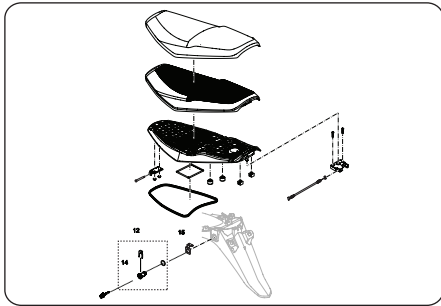
Center Stand & Footrest Assembly

Fig. No. 15 on Page No. 47



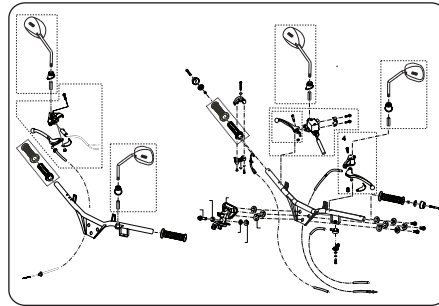
Center Stand & Footrest Assembly

Fig. No. 16 on Page No. 49



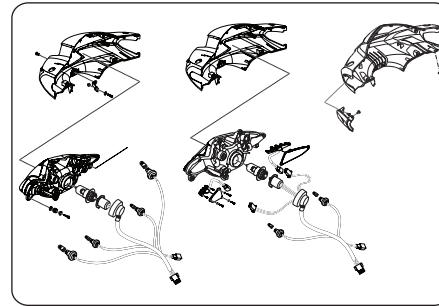
Seat Assembly

Fig. No. 17 on Page No. 51



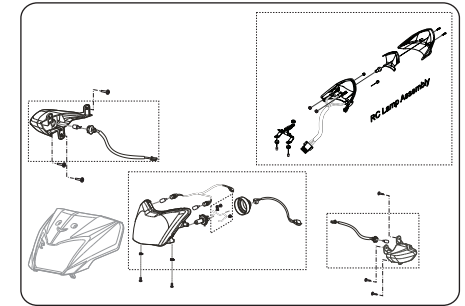
Handle bar Assembly

Fig. No. 18 on Page No. 53



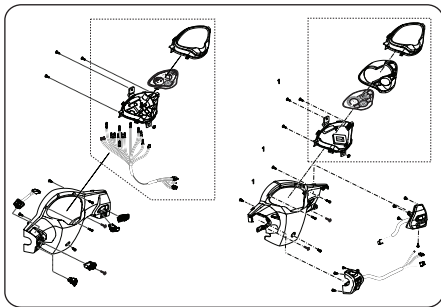
Head Lamp Assembly (Neo)

Fig. No. 19 on Page No. 59



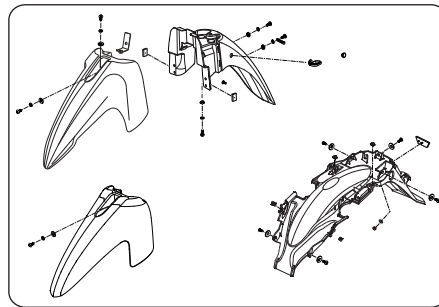
**Head Lamp Assembly (Neo X3i)
& Tail lamp Assembly**

Fig. No. 20 on Page No. 63



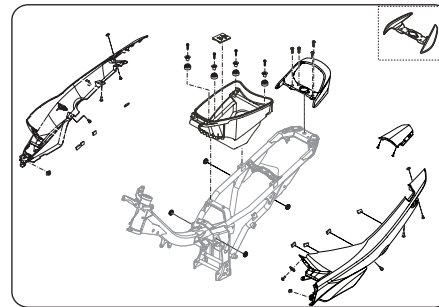
Speedometer Assembly

Fig. No. 21 on Page No. 67



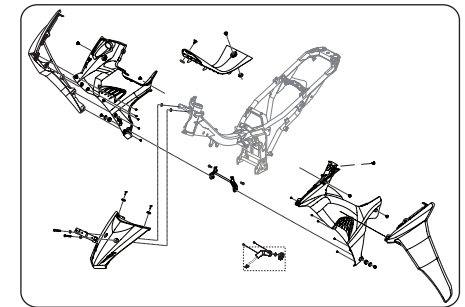
Front & Rear Fender Assembly

Fig. No. 22 on Page No. 69



Cover frame Assembly

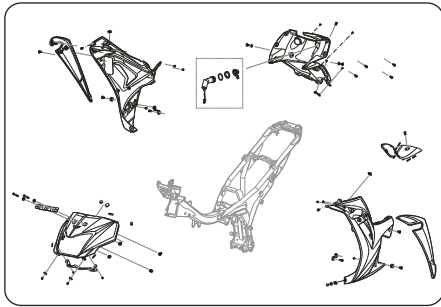
Fig. No. 23 on Page No. 71



Style Parts- Neo

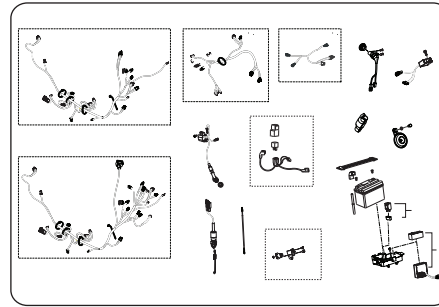
Fig. No. 24 on Page No. 73

CHAPTER INDEX



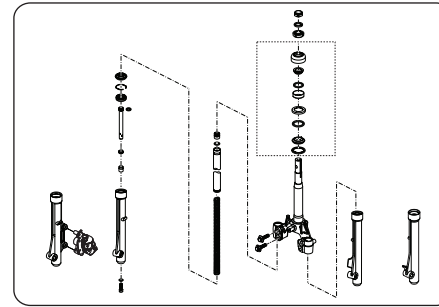
Style Parts X3i

Fig. No. 25 on Page No. 75



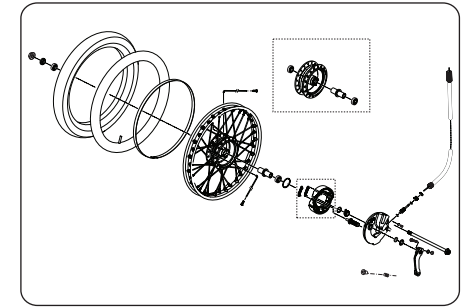
Electrical

Fig. No. 26 on Page No. 79



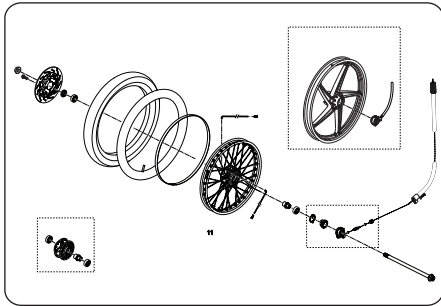
Front Suspension

Fig. No. 27 on Page No. 83



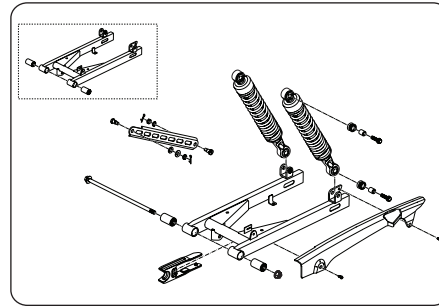
Front Wheel Assembly (Drum)

Fig. No. 28 on Page No. 87



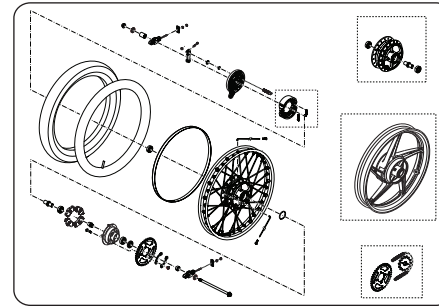
Front Wheel Assembly (Disc)

Fig. No. 29 on Page No. 91



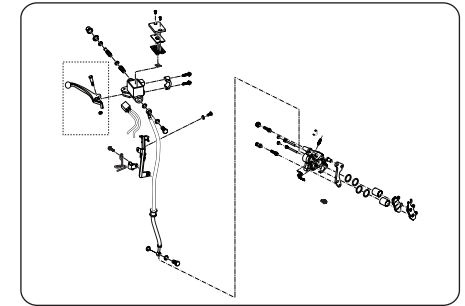
Rear Suspension

Fig. No. 30 on Page No. 93



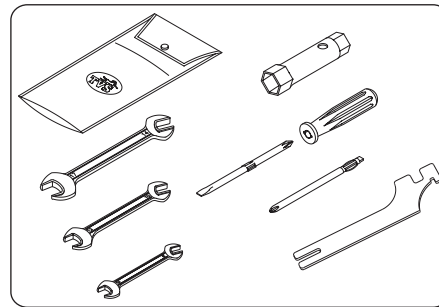
Rear Wheel Assembly

Fig. No. 31 on Page No. 95



Disc Brake Assembly

Fig. No. 32 on Page No. 99



Tool Kit

Fig. No. 33 on Page No. 103

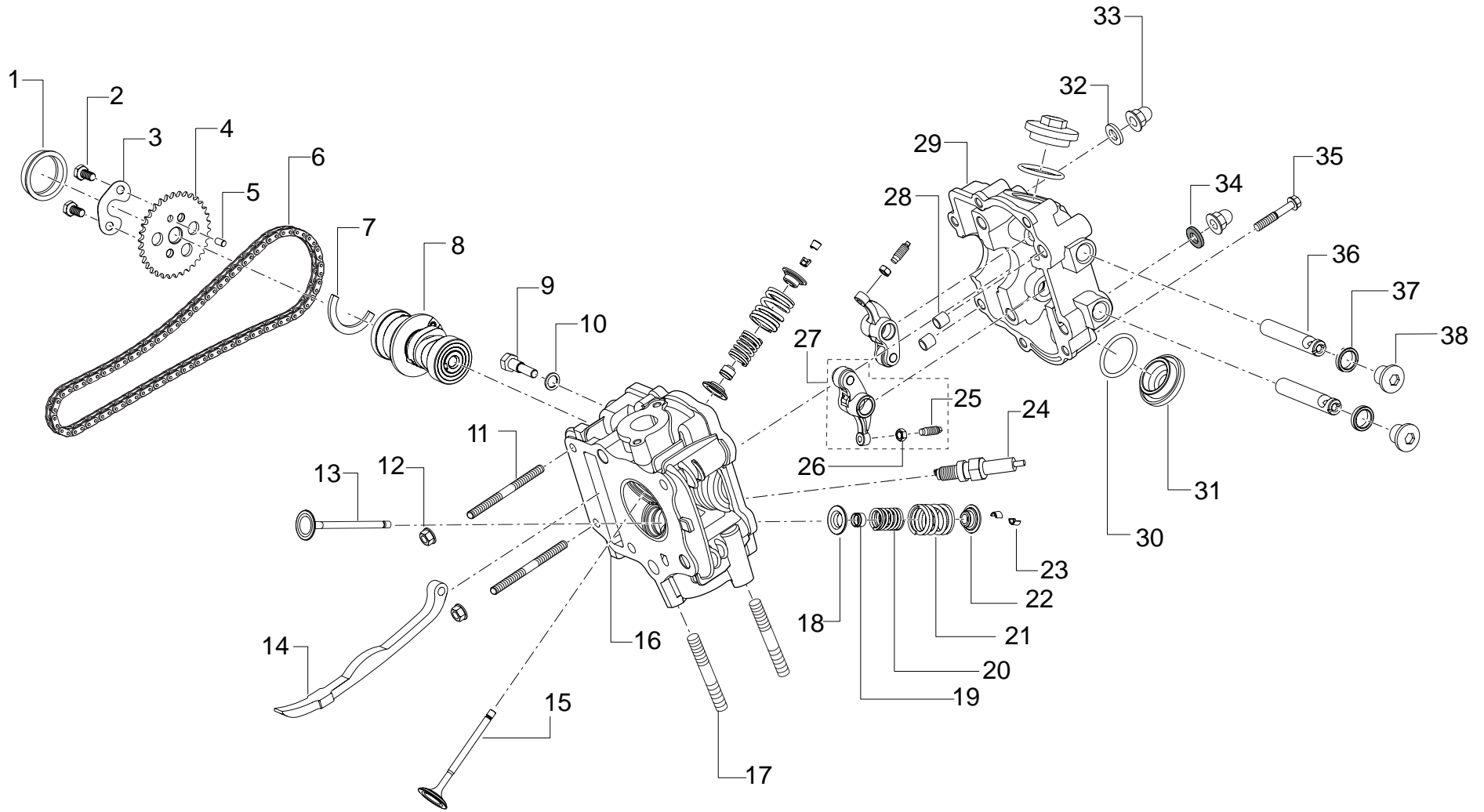


Painted Parts

Page No. 105

Fig No. 01

CYLINDER HEAD ASSEMBLY



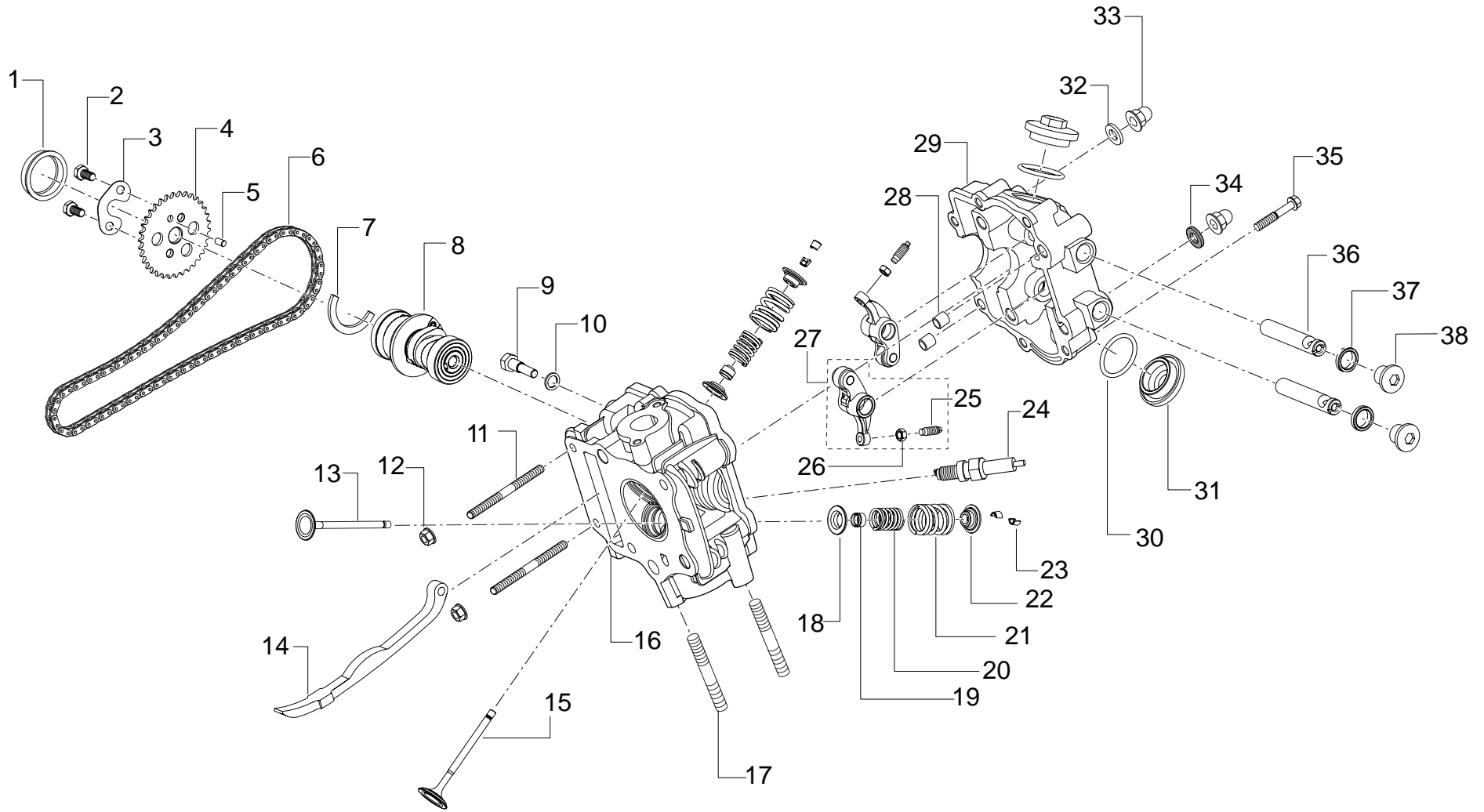
CYLINDER HEAD ASSEMBLY

Fig No. 01

REF. NO.	PART NO.	DESCRIPTION	QUANTITY						REMARKS
			NEO			NEO X3i			
			SW-DRUM	SW-DISC	CW	SW-DRUM	SW-DISC	CW	
1	M7010910	PLUG CYLINDER HEAD	1	1	1	1	1	1	
2	420452700	HEX SCREW M6x12	2	2	2	2	2	2	
3	M1080500	WASHER SPROCKET	1	1	1	1	1	1	
4	R1010800	SPROCKET 34T CAMSHAFT(SILENT CHAIN)	1	1	1	1	1	1	
5	M1010490	PIN SPROCKET KNOCK	1	1	1	1	1	1	
6	U6010390	CAMCHAIN (SILENT CHAIN)	1	1	1	1	1	1	
7	M7010840	C-RING CAMSHAFT	1	1	1	1	1	1	
8	R1010840	CAMSHAFT COMP	1	1	1	1	1	1	
9	R1010810	BOLT CAMCHAIN TENSIONER	1	1	1	1	1	1	
10	M1080370	GASKET OIL PIPE UNION	1	1	1	1	1	1	
11	M1200780	STUD M6 (CYL HEAD & CYLINDER)	2	2	2	2	2	2	
12	M1200900	HEX FLANGE NUT M6 (CYL HEAD & CYLINDER)	2	2	2	2	2	2	
13	M1010560	VALVE EXHAUST	1	1	1	1	1	1	
14	R1010790	TENSIONER CAMCHAIN	1	1	1	1	1	1	
15	M1010550	VALVE INTAKE	1	1	1	1	1	1	
16	R1010910	HEAD COMP CYLINDER (WITH COVER CYLINDER HEAD)	1	1	1	1	1	1	
17	0333548	STUD BOLT EXHAUST PIPE	2	2	2	2	2	2	
18	M1010610	SEAT VALVE SPRING	2	2	2	2	2	2	
19	M1010620	SEAL VALVE STEM OIL	2	2	2	2	2	2	
20	M1010570	SPRING VALVE INNER	2	2	2	2	2	2	
21	M1010580	SPRING VALVE OUTER	2	2	2	2	2	2	
22	N2011040	RETAINER VALVE SPRING	2	2	2	2	2	2	
23	S1010320	COTTER VALVE	4	4	4	4	4	4	
24	R1180060	SPARK PLUG (PRG-7C)	1	1	1	1	1	1	
25	S1010240	SCREW TAPPET ADJUSTING	2	2	2	2	2	2	

Fig No. 01

CYLINDER HEAD ASSEMBLY



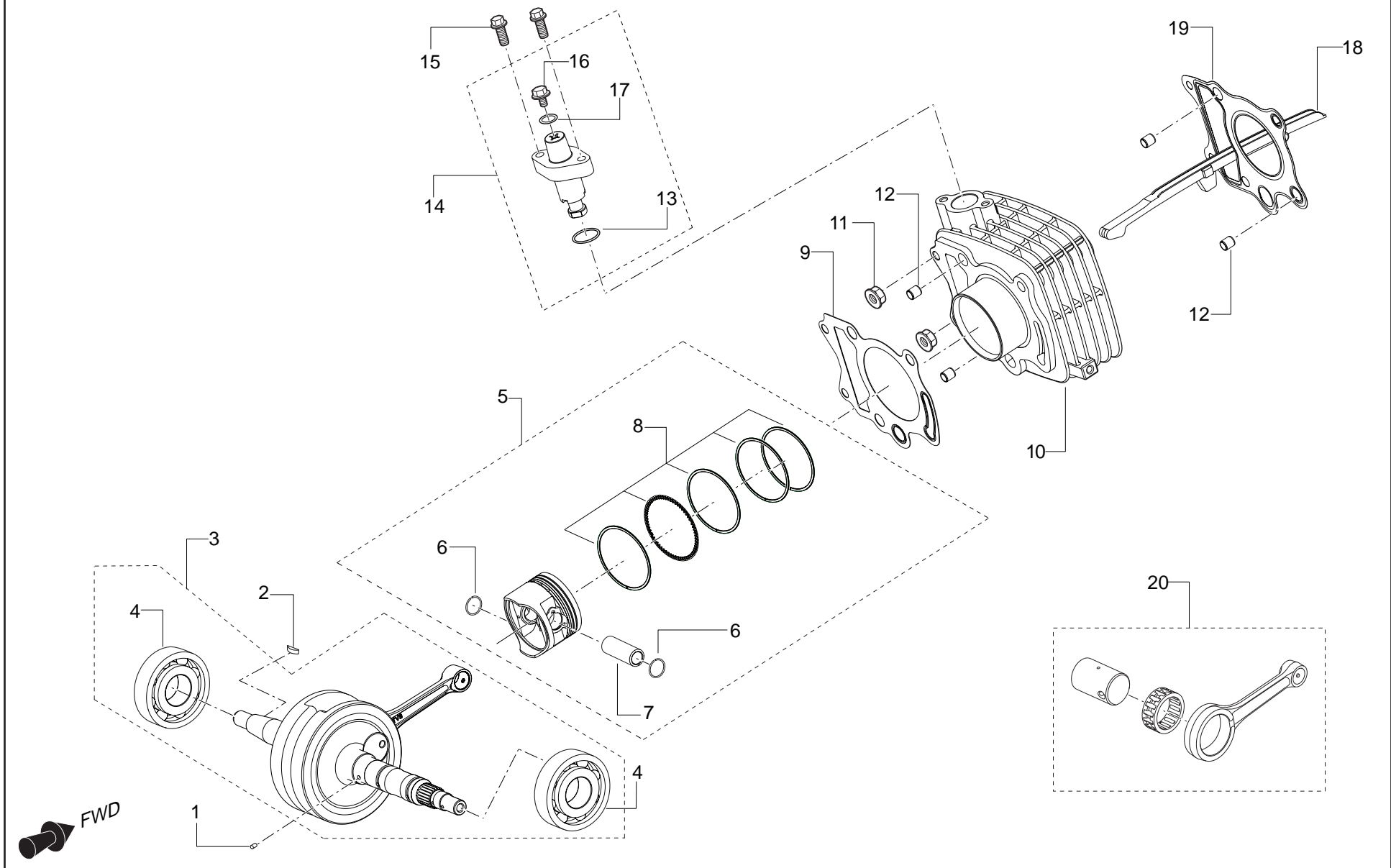
CYLINDER HEAD ASSEMBLY

Fig No. 01

REF. NO.	PART NO.	DESCRIPTION	QUANTITY						REMARKS
			NEO			NEO X3i			
			SW-DRUM	SW-DISC	CW	SW-DRUM	SW-DISC	CW	
26	S1010250	NUT TAPPET ADJUSTING	2	2	2	2	2	2	
27	R1011000	ARM COMP VALVE ROCKER	2	2	2	2	2	2	
28	M1010090	PIN CYLINDER HEAD COVER KNOCK	2	2	2	2	2	2	
29	→	COVER CYLINDER HEAD	1	1	1	1	1	1	REF. NO 16
30	R1200490	O - RING 29.5x3	2	2	2	2	2	2	
31	R1011010	CAP INSPECTION HOLE	2	2	2	2	2	2	
32	S1010130	WASHER CYLINDER HEAD	3	3	3	3	3	3	
33	M1200050	DOMED CAP NUT WITH FLANGE M8	4	4	4	4	4	4	
34	M1010360	GASKET CYLINDER HEAD NUT	1	1	1	1	1	1	
35	M1200500	HEX. FLANGE BOLT M6x40 ZNB (CYL.HD & COVER)	6	6	6	6	6	6	
36	R1010850	SHAFT ROCKER ARM	2	2	2	2	2	2	
37	M1080520	WASHER ROCKER SHAFT	2	2	2	2	2	2	
38	M1010540	PLUG ROCKER SHAFT	2	2	2	2	2	2	
39	R1180020	ENGINE ASSY 110cc BASIC	1	1		1	1	1	
39A	R1180030	ENGINE ASSY 110cc PLUS			1				

Fig No. 02

CYLINDER & CRANKSHAFT ASSEMBLY



CYLINDER & CRANKSHAFT ASSEMBLY

Fig No. 02

REF. NO.	PART NO.	DESCRIPTION	QUANTITY						REMARKS
			NEO			NEO X3i			
			SW-DRUM	SW-DISC	CW	SW-DRUM	SW-DISC	CW	
1	R1020430	PIN, GEAR OIL PUMP DRIVE	1	1	1	1	1	1	
2	R1200150	WOODRUFF KEY 4x5	1	1	1	1	1	1	
3	R1020280	CRANKSHAFT COMP	1	1	1	1	1	1	
4	R1200120	BALL BEARING 25x62x17 (6305 - NORMAL)	2	2	2	2	2	2	
5	R1321090	PISTON KIT STD	1	1	1	1	1	1	
5A	R1321100	PISTON KIT - I O/S	1	1	1	1	1	1	
5B	R1321120	PISTON KIT - II O/S	1	1	1	1	1	1	
5C	R1321130	PISTON KIT - III O/S	1	1	1	1	1	1	
5D	R1321140	PISTON KIT - IV O/S	1	1	1	1	1	1	
6	N2200340	CIRCLIP PIN PISTON	2	2	2	2	2	2	
7	N2010690	PIN PISTON	1	1	1	1	1	1	
8	R1321000	RING SET STD	1	1	1	1	1	1	
8A	R1321010	RING SET - I O/S	1	1	1	1	1	1	
8B	R1321020	RING SET - II O/S	1	1	1	1	1	1	
8C	R1321030	RING SET - III O/S	1	1	1	1	1	1	
8D	R1321040	RING SET - IV O/S	1	1	1	1	1	1	
9	R1010930	GASKET CYLINDER	1	1	1	1	1	1	
10	R1011040	CYLINDER COMP	1	1	1	1	1	1	
11	M1200900	HEX FLANGE NUT M6 (CYLINDER & CRANKCASE)	2	2	2	2	2	2	
12	S1200270	DOWEL PIN - DIA 11 x DIA 9 x 12	4	4	4	4	4	4	
13	R1321190	O-RING ADJUSTER TENSIONER	1	1	1	1	1	1	
14	R1010550	ADJUSTER ASSY TENSIONER	1	1	1	1	1	1	
15	M1200510	HEX FLANGE BOLT M6x25	2	2	2	2	2	2	
16	R1321200	CAP ADJUSTER TENSIONER	1	1	1	1	1	1	
17	R1321210	O-RING CAP ADJUSTER	1	1	1	1	1	1	

Fig No. 02

CYLINDER & CRANKSHAFT ASSEMBLY

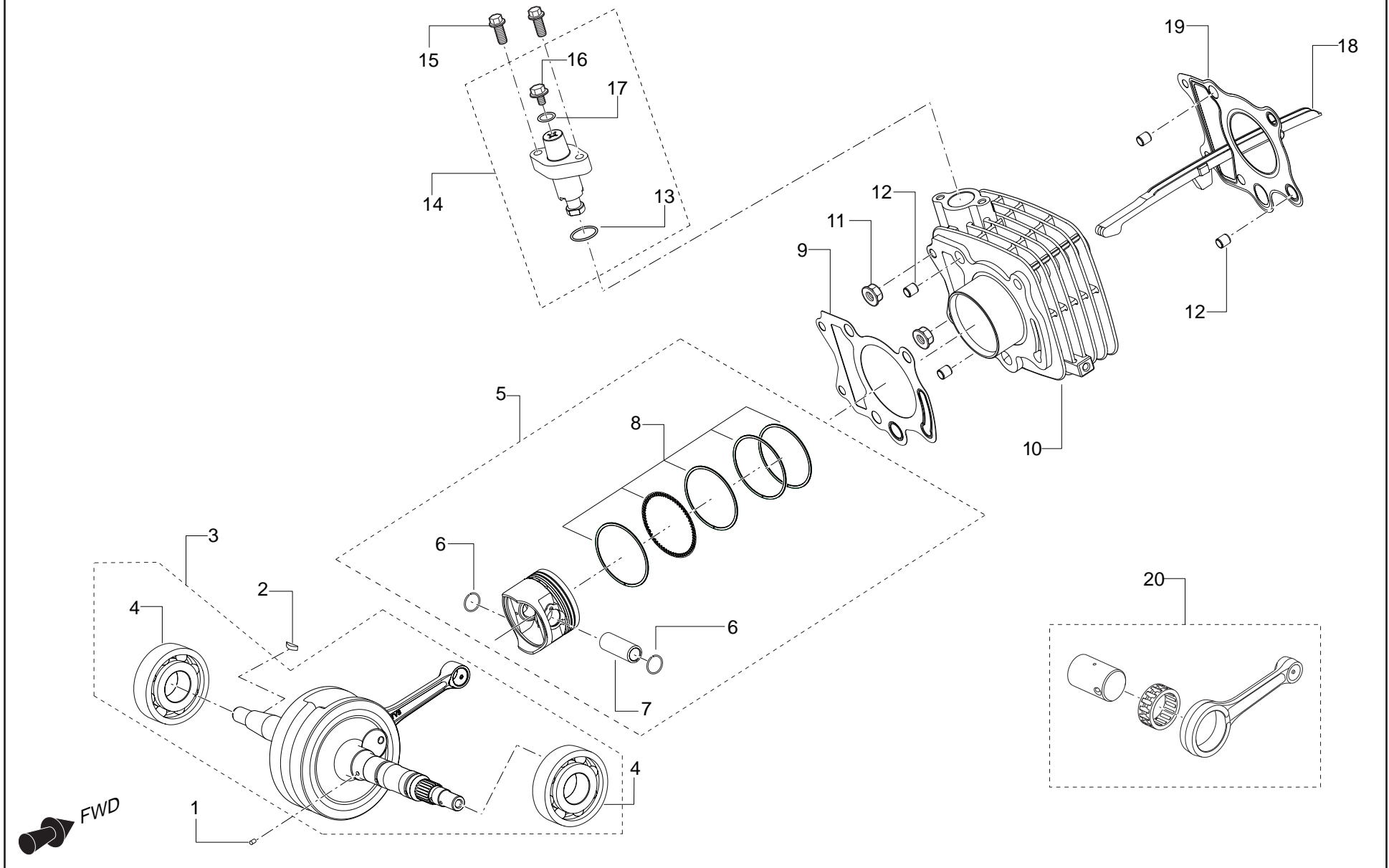
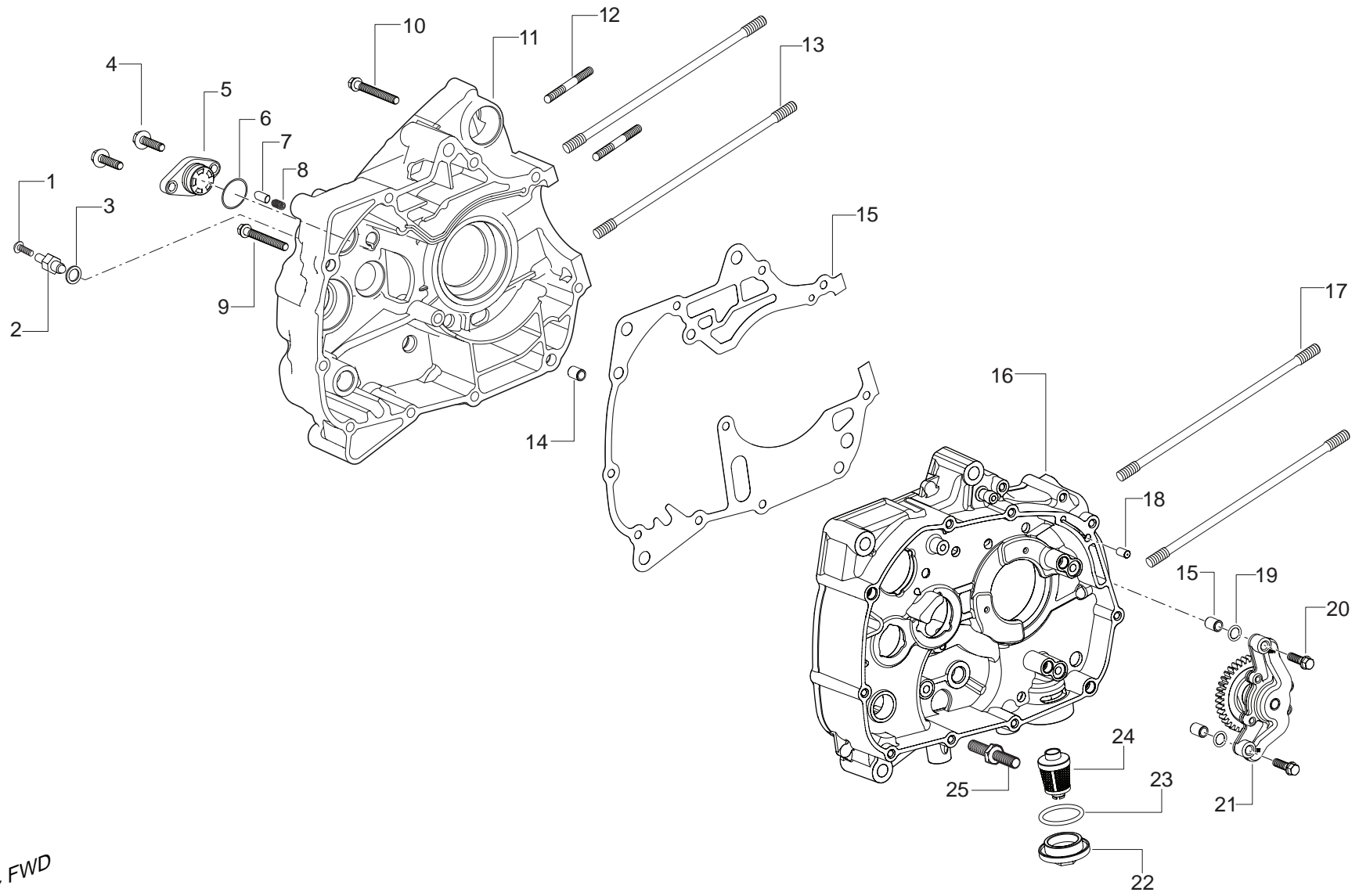


Fig No. 03

CRANKCASE ASSEMBLY



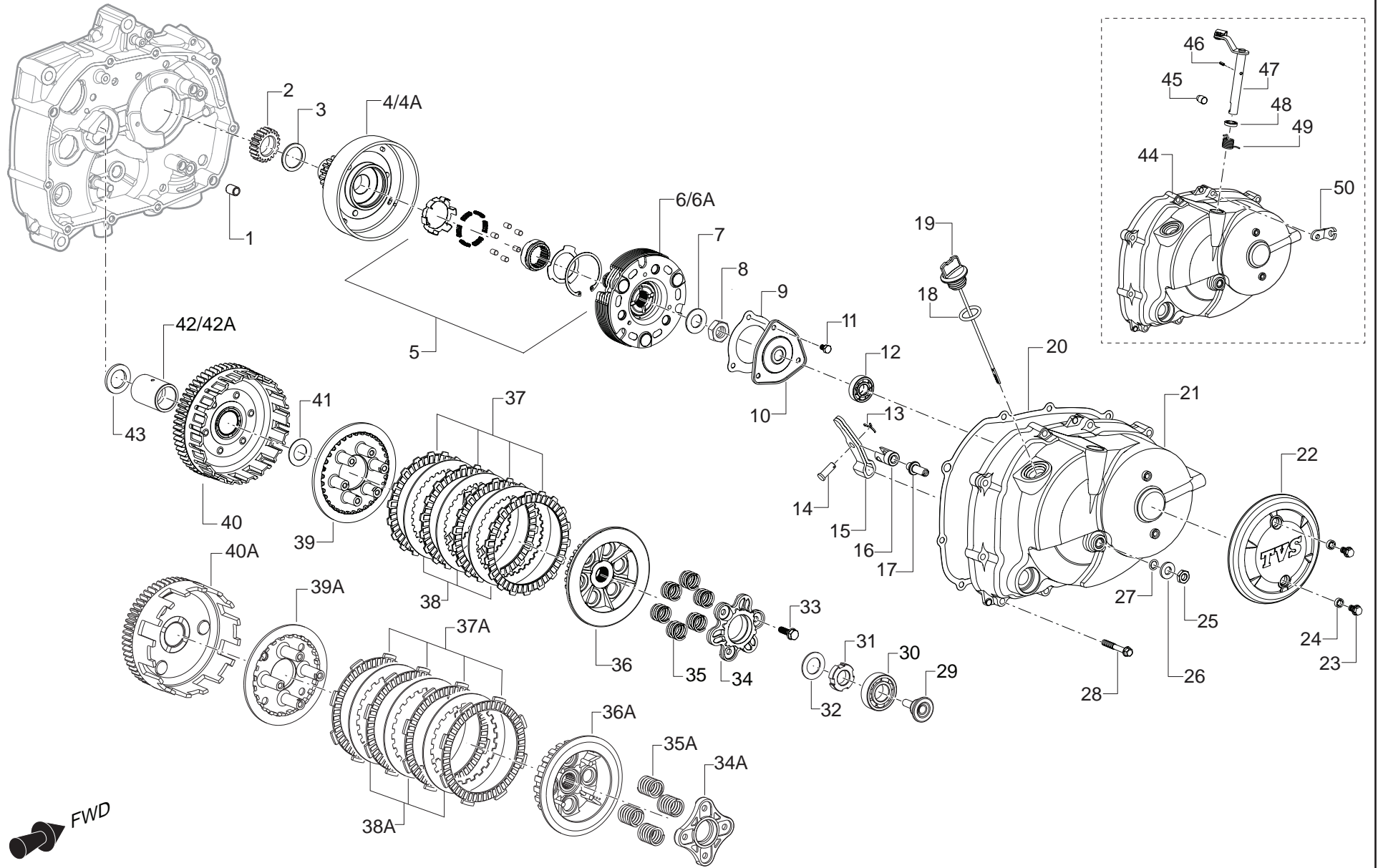
CRANKCASE ASSEMBLY

Fig No. 03

REF. NO.	PART NO.	DESCRIPTION	QUANTITY						REMARKS
			NEO			NEO X3i			
			SW-DRUM	SW-DISC	CW	SW-DRUM	SW-DISC	CW	
1	----	SCREW, THERMAL SENSOR	1	1	1	1	1	1	
2	K3060260	THERMAL SENSOR	1	1	1	1	1	1	
3	----	PACKING THERMAL SENSOR	1	1	1	1	1	1	
4	M1200520	HEX FL BOLT M6x16	2	2	2	2	2	2	
5	R1060050	SWITCH ASSY GEAR POSITION	1	1	1	1	1	1	
6	----	O RING GPS	1	1	1	1	1	1	
7	U6080440	PIN CONTACT GEAR POSITION	1	1	1	1	1	1	
8	U6080430	SPRING NEUTRAL SWITCH	1	1	1	1	1	1	
9	N2200450	HEX FL BOLT M6x50 (CRANKCASE L&R)	6	6	6	6	6	6	
10	R1200180	HEX FL BOLT M6x60 (CRANKCASE L&R)	5	5	5	5	5	5	
11	R1320900	CRANKCASE ASSY LH (WITH BEARINGS)	1	1	1	1	1	1	
12	M1200780	STUD BOLT M6 (CRANKCASE & CYLINDER)	2	2	2	2	2	2	
13	R1010700	STUD CYLINDER LH	2	2	2	2	2	2	
14	0074010	DOWEL PIN	4	4	4	4	4	4	
15	R1030200	GASKET CRANKCASE	1	1	1	1	1	1	
16	R1320910	CRANKCASE ASSY RH	1	1	1	1	1	1	
17	R1010880	STUD CYLINDER RH	2	2	2	2	2	2	
18	R1030240	NOZZLE	1	1	1	1	1	1	
19	R1200480	O-RING 8.8x1.9	2	2	2	2	2	2	
20	M1200470	HEX FL BOLT M6x30	2	2	2	2	2	2	
21	R1080530	PUMP ASSY OIL	1	1	1	1	1	1	
22	R1011010	CAP INSPECTION HOLE	1	1	1	1	1	1	
23	R1200490	O-RING 29.5x3	1	1	1	1	1	1	
24	N3080290	OIL FILTER	1	1	1	1	1	1	
25	R1080430	STOPPER SHIFT ARM	1	1	1	1	1	1	

Fig No. 04

CLUTCH & COVER CLUTCH ASSEMBLY



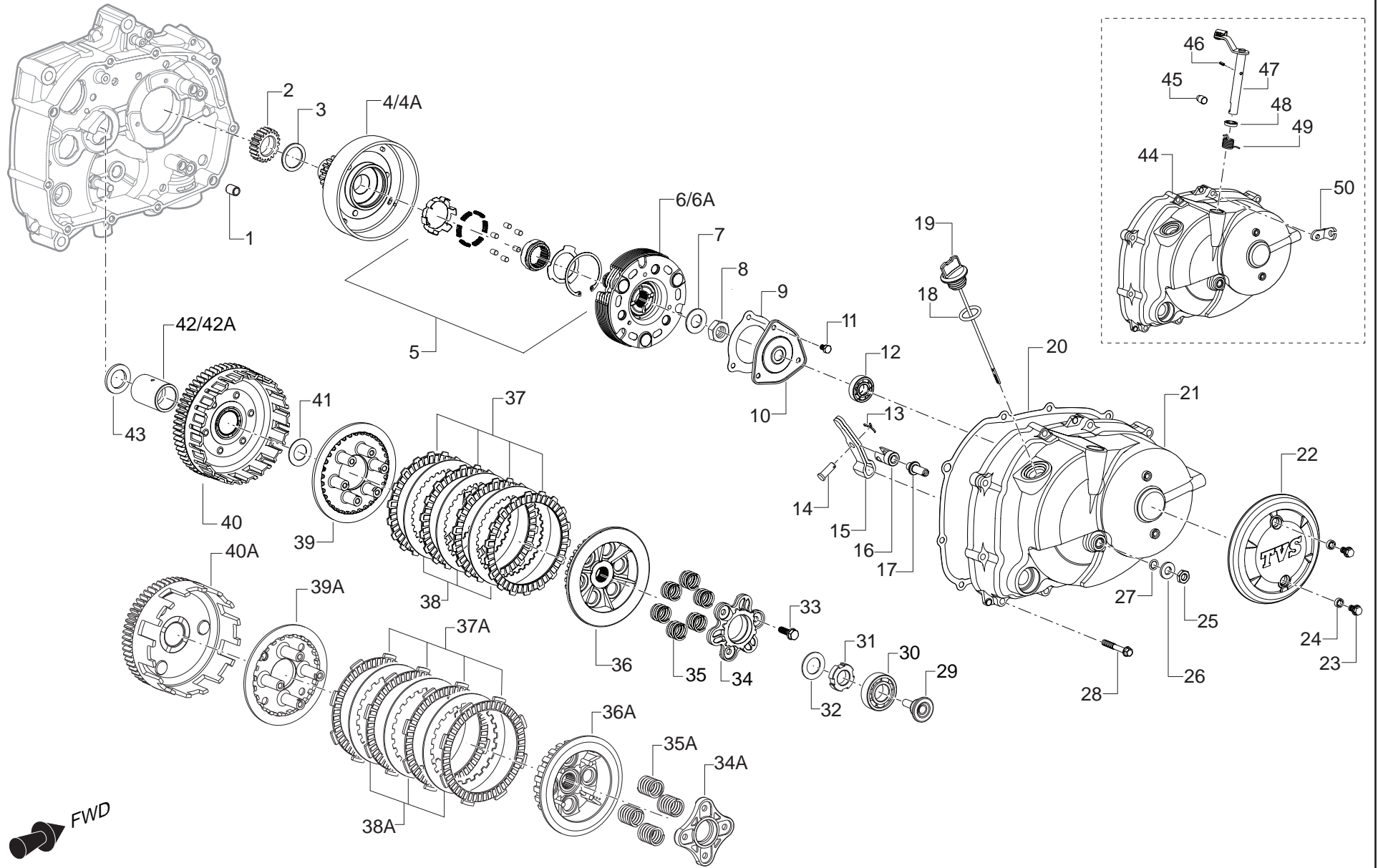
CLUTCH & COVER CLUTCH ASSEMBLY

Fig No. 04

REF. NO.	PART NO.	DESCRIPTION	QUANTITY						REMARKS
			NEO			NEO X3i			
			SW-DRUM	SW-DISC	CW	SW-DRUM	SW-DISC	CW	
1	0074010	DOWEL PIN	2	2	2	2	2	2	
2	R1080540	GEAR OIL PUMP DRIVE	1	1	1	1	1	1	
3	R1070170	THRUST WASHER PRIMARY GEAR DRIVE	1	1	1	1	1	1	
4	R1070640	OUTER ASSY PRIMARY CLUTCH	1	1	1	1	1	1	
4A	R1070130	OUTER ASSY PRIMARY CLUTCH (4BOLT)	1	1	1	1	1	1	
5	R1321430	ONE WAY CLUTCH KIT	1	1	1	1	1	1	
6	R1070500	PLATE COMP PRIMARY DRIVE	1	1	1	1	1	1	
6A	R1070200	PLATE COMP PRIMARY DRIVE (4BOLT)	1	1	1	1	1	1	
7	R1200050	DISC SPRING	1	1	1	1	1	1	
8	R1200060	NUT CRANK SHAFT M14x1	1	1	1	1	1	1	
9	R1020310	GASKET COVER FILTER CENTRIFUGAL	1	1	1	1	1	1	
10	R1020309	COVER OIL FILTER CENTRIFGAL	1	1	1	1	1	1	
11	C1200020	HEX FLANGE SCREW M5x8	3	3	3	3	3	3	
12	M1200300	BALL BEARING 12x28x8 RS1 (6001)	1	1	1	1	1	1	
13	R1200110	SPLIT PIN 1.7x12	1	1	1	1	1	1	
14	R1080510	PIN ARM CLUTCH	1	1	1	1	1	1	
15	R1080470	ARM CLUTCH RELEASE	1	1	1	1	1	1	
16	R1080370	BOSS CLUTCH RELEASE ARM	1	1	1	1	1	1	
17	R1080390	BOLT CLUTCH RELEASE ADJUST	1	1	1	1	1	1	
18	S1200860	O-RING	1	1	1	1	1	1	
19	R1080900	GAUGE OIL LEVEL	1	1	1	1	1	1	
20	R1030210	GASKET COVER CLUTCH	1	1	1	1	1	1	
21	R10303105D	COVER CLUTCH	1	1		1	1	1	
22	R1030270	COVER, COVER CLUTCH (LOGO)	1	1	1	1	1	1	
23	R1030230	INSERT	2	2	2	2	2	2	

Fig No. 04

CLUTCH & COVER CLUTCH ASSEMBLY



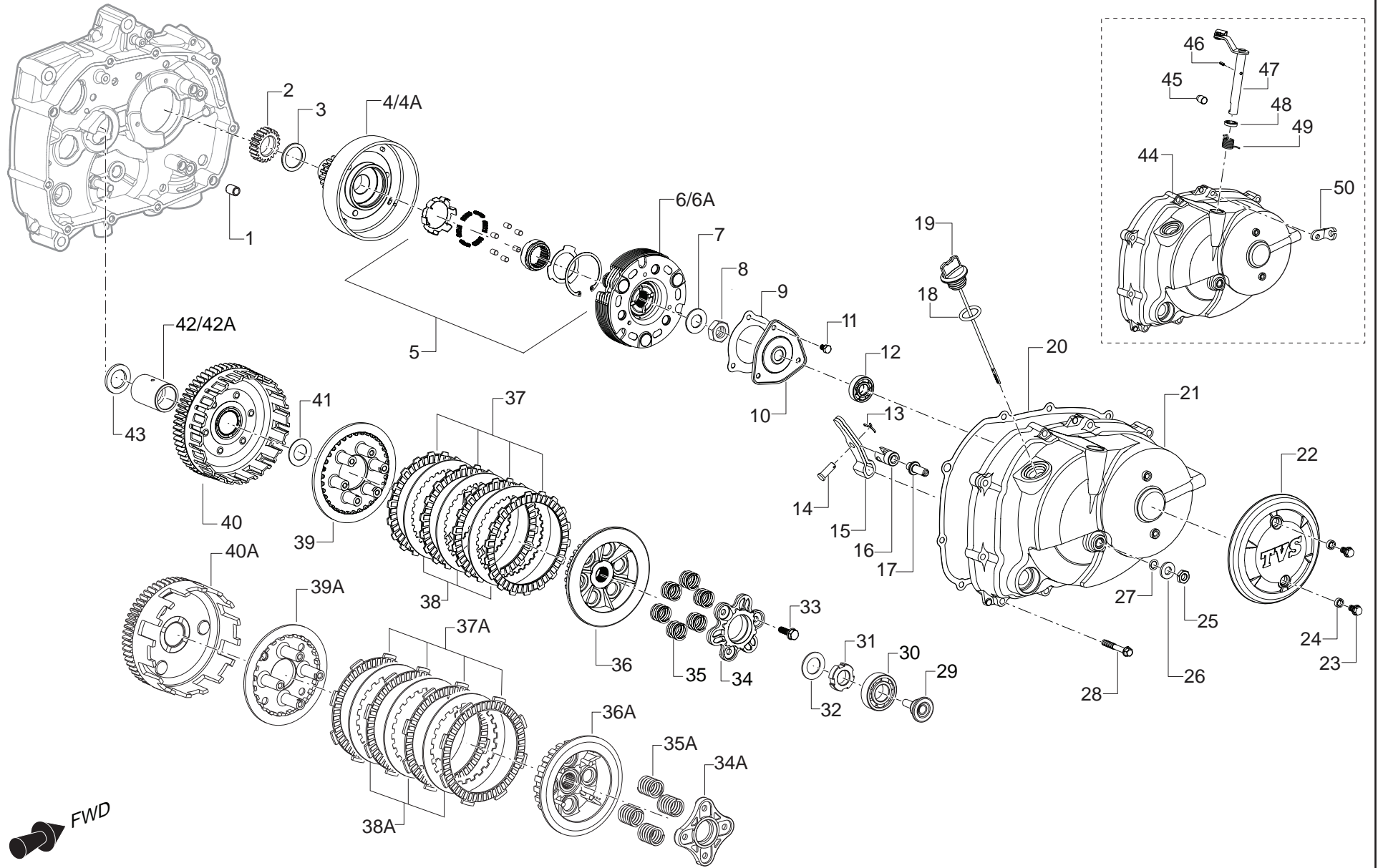
CLUTCH & COVER CLUTCH ASSEMBLY

Fig No. 04

REF. NO.	PART NO.	DESCRIPTION	QUANTITY						REMARKS
			NEO			NEO X3i			
			SW-DRUM	SW-DISC	CW	SW-DRUM	SW-DISC	CW	
24	N8200060	HEX FLANGE BOLT M6x10 (COVER CL & COVER)	2	2	2	2	2	2	
25	0334218	HEX NUT M8	1	1	1	1	1	1	
26	R1081160	WASHER CLUTCH ADJUSTER	1	1	1	1	1	1	
27	R1080400	O-RING CLUTCH RELEASE ADJUST	1	1	1	1	1	1	
28	R1200400	HEX FLANGE BOLT M6x35	10	10	10	10	10	10	
29	R1070360	PIN CLUTCH RELEASE	1	1	1	1	1	1	
30	M1200380	BALL BEARING 15x32x9 C3 (6002)	1	1	1	1	1	1	
31	N5070100	NUT CLUTCH SHAFT	1	1	1	1	1	1	
32	N5070110	SPRING DISC	1	1	1	1	1	1	
33	R1321710	SPECIAL BOLT - M6x1x20	3	3	3	3	3	3	
33A	R1321710	SPECIAL BOLT - M6x1x20 (4BOLT)	4	4	4	4	4	4	
34	R1070870	PLATE CLUTCH RELEASE	1	1	1	1	1	1	
34A	R1070450	PLATE CLUTCH RELEASE (4BOLT)	1	1	1	1	1	1	
35	R1070860	SPRING CLUTCH RELEASE	6	6	6	6	6	6	
35A	R1070460	SPRING CLUTCH RELEASE (4BOLT)	4	4	4	4	4	4	
36	R1070800	HUB CLUTCH	1	1	1	1	1	1	
36A	R1070410	HUB CLUTCH (4BOLT)	1	1	1	1	1	1	
37	R1320670	SET PLATE CLUTCH DRIVE (4 NOS)	1	1	1	1	1	1	
37A	R1321890	SET PLATE CLUTCH DRIVE (4 NOS) (4BOLT)	1	1	1	1	1	1	
38	R1320680	SET PLATE CLUTCH DRIVEN (3 NOS)	1	1	1	1	1	1	
38A	R1321900	SET PLATE CLUTCH DRIVEN (3 NOS) (4BOLT)	1	1	1	1	1	1	
39	R1070840	PRESSURE PLATE	1	1	1	1	1	1	
39A	R1070430	PRESSURE PLATE (4BOLT)	1	1	1	1	1	1	
40	R1070740	OUTER COMP CLUTCH	1	1	1	1	1	1	
40A	R1070020	OUTER COMP CLUTCH (4BOLT)	1	1	1	1	1	1	

Fig No. 04

CLUTCH & COVER CLUTCH ASSEMBLY



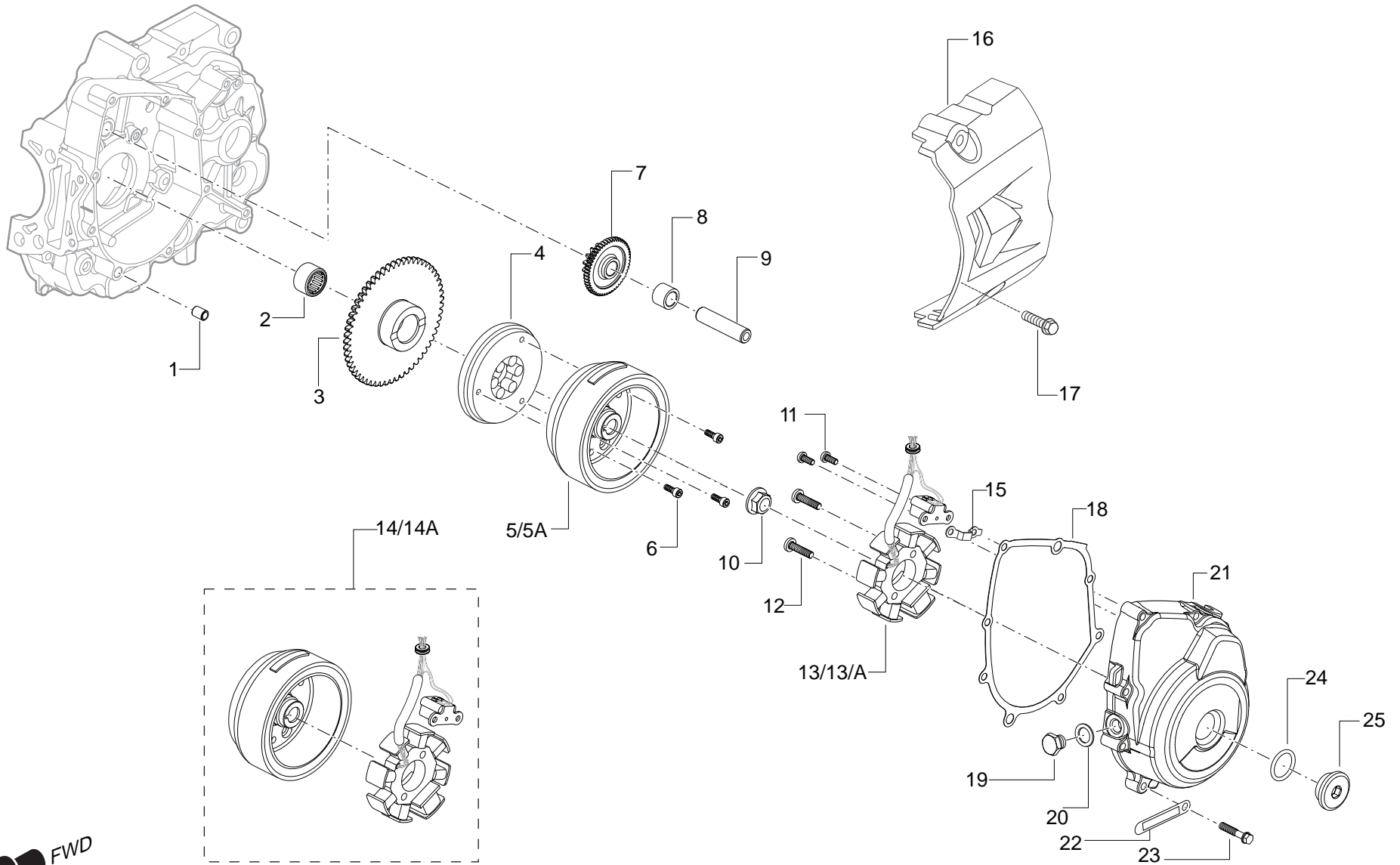
CLUTCH & COVER CLUTCH ASSEMBLY

Fig No. 04

REF. NO.	PART NO.	DESCRIPTION	QUANTITY						REMARKS
			NEO			NEO X3i			
			SW-DRUM	SW-DISC	CW	SW-DRUM	SW-DISC	CW	
41	0335054	WASHER CLUTCH SLEEVE HUB	1	1	1	1	1	1	
42	R1070900	SPACER CLUTCH	1	1	1	1	1	1	
42A	R1071030	SPACER CLUTCH (4BOLT)	1	1	1	1	1	1	
43	R1070350	SPACER HUB CLUTCH	1	1	1	1	1	1	
44	R10302505D	COVER CLUTCH			1				
45	R1070970	PIN CLUTCH RELEASE OVER RIDE			1				
46	M7200500	SPRING DOWEL 3x10			1				
47	R1070950	ROD COMP CLUTCH RELEASE			1				
48	M7200490	OIL SEAL 12x18x4			1				
49	M7070380	SPRING CLUTCH CABLE RETURN			1				
50	R1070990	BRACKET CLUTCH CABLE			1				
51	R1070730	SECONDARY CLUTCH ASSY	1	1	1	1	1	1	
51A	R1070010	SECONDARY CLUTCH ASSY	1	1	1	1	1	1	

FIG No. 05

MAGNETO ASSEMBLY



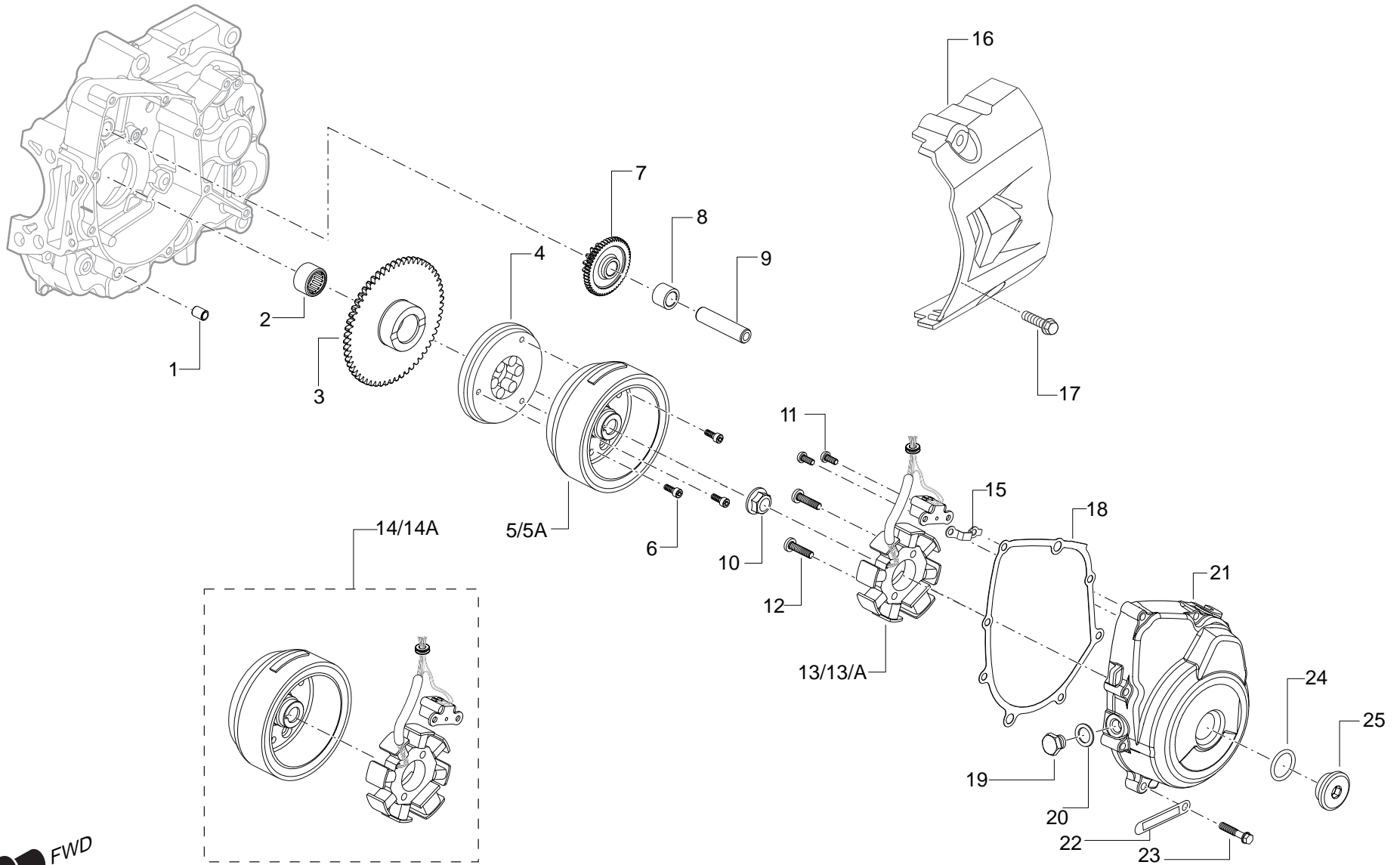
MAGNETO ASSEMBLY

Fig No. 05

REF. NO.	PART NO.	DESCRIPTION	QUANTITY						REMARKS
			NEO			NEO X3i			
			SW-DRUM	SW-DISC	CW	SW-DRUM	SW-DISC	CW	
1	0074010	DOWEL PIN	1	1	1	1	1	1	
2	R1200090	NEEDLE ROLLER BEARING 20x26x16	1	1	1	1	1	1	
3	R1080990	GEAR STARTER CLUTCH	1	1	1	1	1	1	
4	R1060110	ONE WAY CLUTCH	1	1	1	1	1	1	
5	R1060080	ROTOR (INEL)	1	1	1	1	1	1	
5A	R3320630	ROTOR (CHCD)	1	1	1	1	1	1	
6	M1200790	HEX SOCKET HD CAP SCREW M6x16	3	3	3	3	3	3	
7	R1080550	GEAR STARTER IDLE	1	1	1	1	1	1	
8	M1080490	SPACER STARTER IDLE	1	1	1	1	1	1	
9	M1080430	PIN MAGNETO COVER	1	1	1	1	1	1	
10	M1200770	HEX FLANGE NUT M12x1.25	1	1	1	1	1	1	
11	K200520	CRR PAN HD SCREW M5x10	2	2	2	2	2	2	
12	M1200820	CRR PAN HD SCREW M6x25	2	2	2	2	2	2	
13	R1060090	STATOR COIL ASSY (INEL)	1	1	1	1	1	1	
13A	R3320640	STATOR COIL ASSY (CHCD)	1	1	1	1	1	1	
14	R1060010	MAGNETO ASSY (INEL)	1	1	1	1	1	1	
14A	R3060010	MAGNETO ASSY (CHCD)	1	1	1	1	1	1	
15	R1081110	CLAMP WIRING HARNESS	1	1	1	1	1	1	
16	R3080070	COVER ENGINE SPROCKET	1	1	1	1	1	1	
17	M1200510	HEX FLANGE BOLT M6x25	2	2	2	2	2	2	
18	R1030220	GASKET COVER MAGNETO	1	1	1	1	1	1	
19	M1081070	PLUG TDC	1	1	1	1	1	1	
20	S1011290	SEALING WASHER	1	1	1	1	1	1	
21	R10301405D	COVER MAGNETO	1	1	1	1	1	1	
22	S1125320	CLAMP HOSE	1	1	1	1	1	1	

FIG No. 05

MAGNETO ASSEMBLY



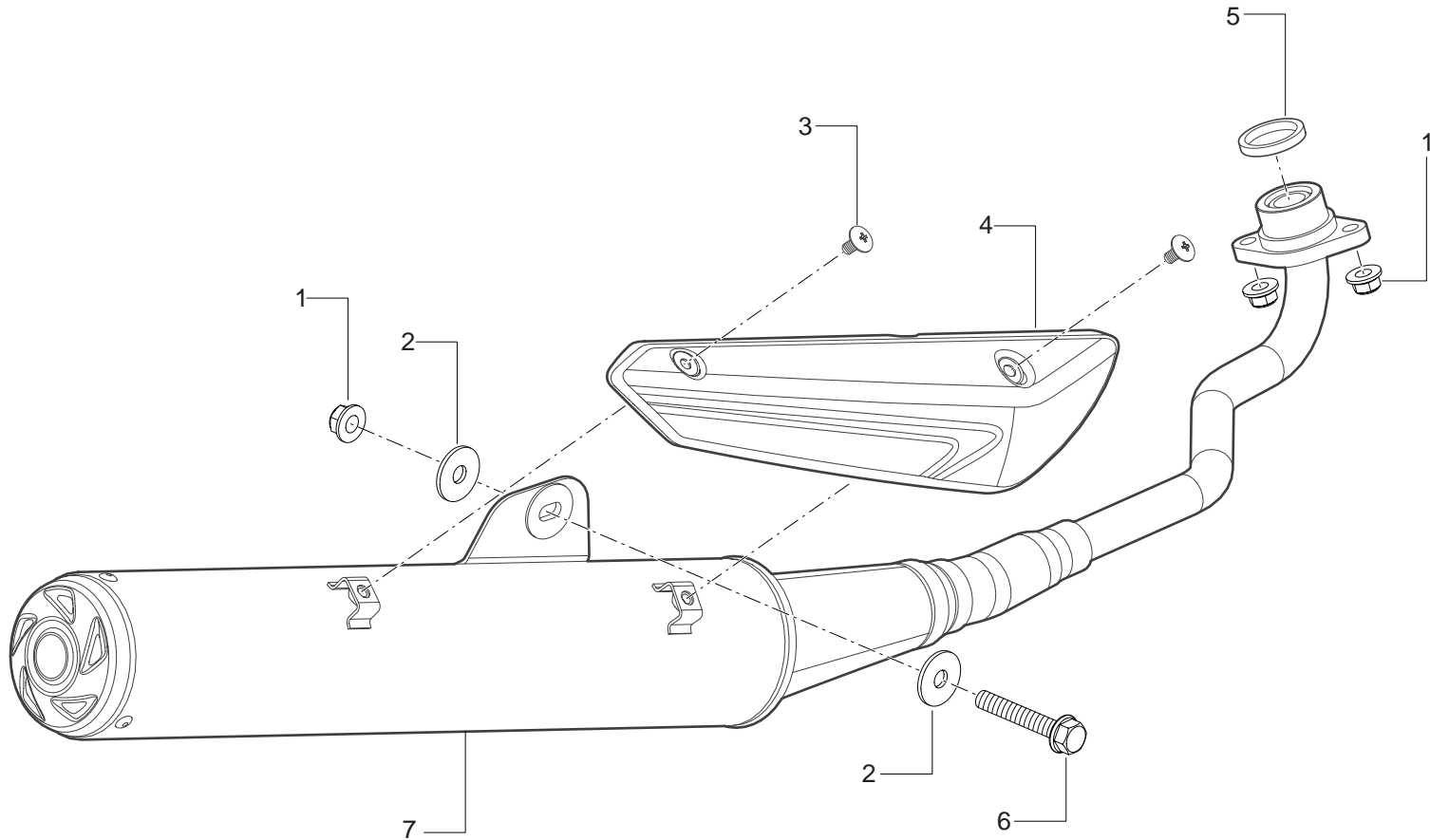
MAGNETO ASSEMBLY

Fig No. 05

REF. NO.	PART NO.	DESCRIPTION	QUANTITY						REMARKS
			NEO			NEO X3i			
			SW-DRUM	SW-DISC	CW	SW-DRUM	SW-DISC	CW	
23	R1200410	HEX FLANGE BOLT M6x30	8	8	8	8	8	8	
24	N2081690	O-RING 22.7x3.1	1	1	1	1	1	1	
25	M7080980	PLUG CRANK SHAFT HOLE	1	1	1	1	1	1	

Fig No. 06

MUFFLER ASSEMBLY



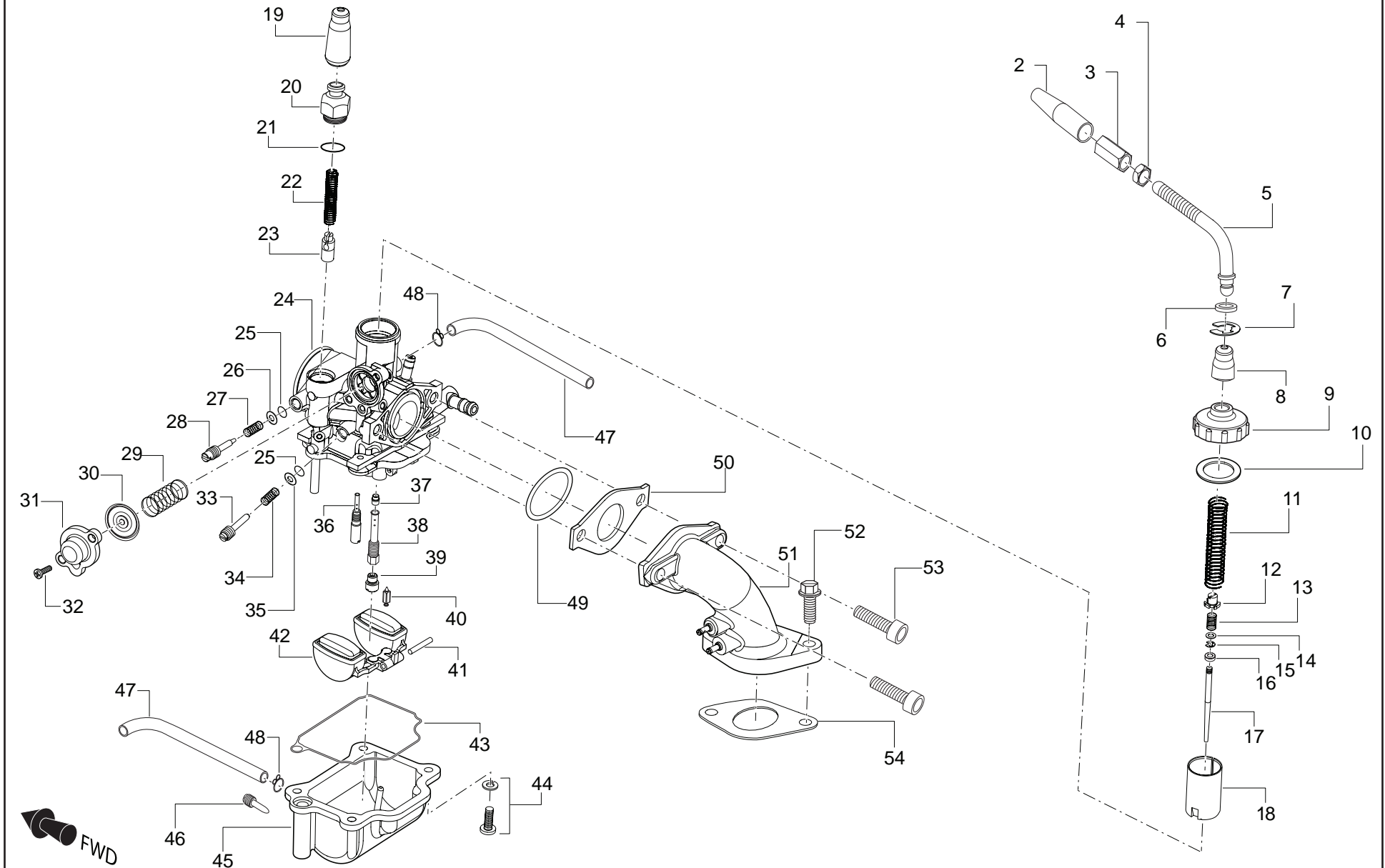
MUFFLER ASSEMBLY

Fig No. 06

REF. NO.	PART NO.	DESCRIPTION	QUANTITY					REMARKS
			NEO			NEO X3i		
			BASIC	PLUS	Xi	BASIC	PLUS	
1	M1200890	U NUT M8x1.2	3	3	3	3	3	3
2	N3200210	PUNCHED WASHER 8.2x25x2	2	2	2	2	2	2
3	R1200220	SPL SCREW PAN HEAD SCREW M6x12	2	2	2	2	2	2
4	R1220660	EXHAUST GUARD REAR	1	1	1	1	1	1
5	M1050310	GASKET, EXHAUST PIPE	1	1	1	1	1	1
6	M1200840	HEX FLANGE BOLT M8x50	1	1	1	1	1	1
7	R1050470	MUFFLER SUB ASSY	1	1	1	1	1	1

Fig No. 07

CARBURETTOR ASSEMBLY



CARBURETTOR ASSEMBLY

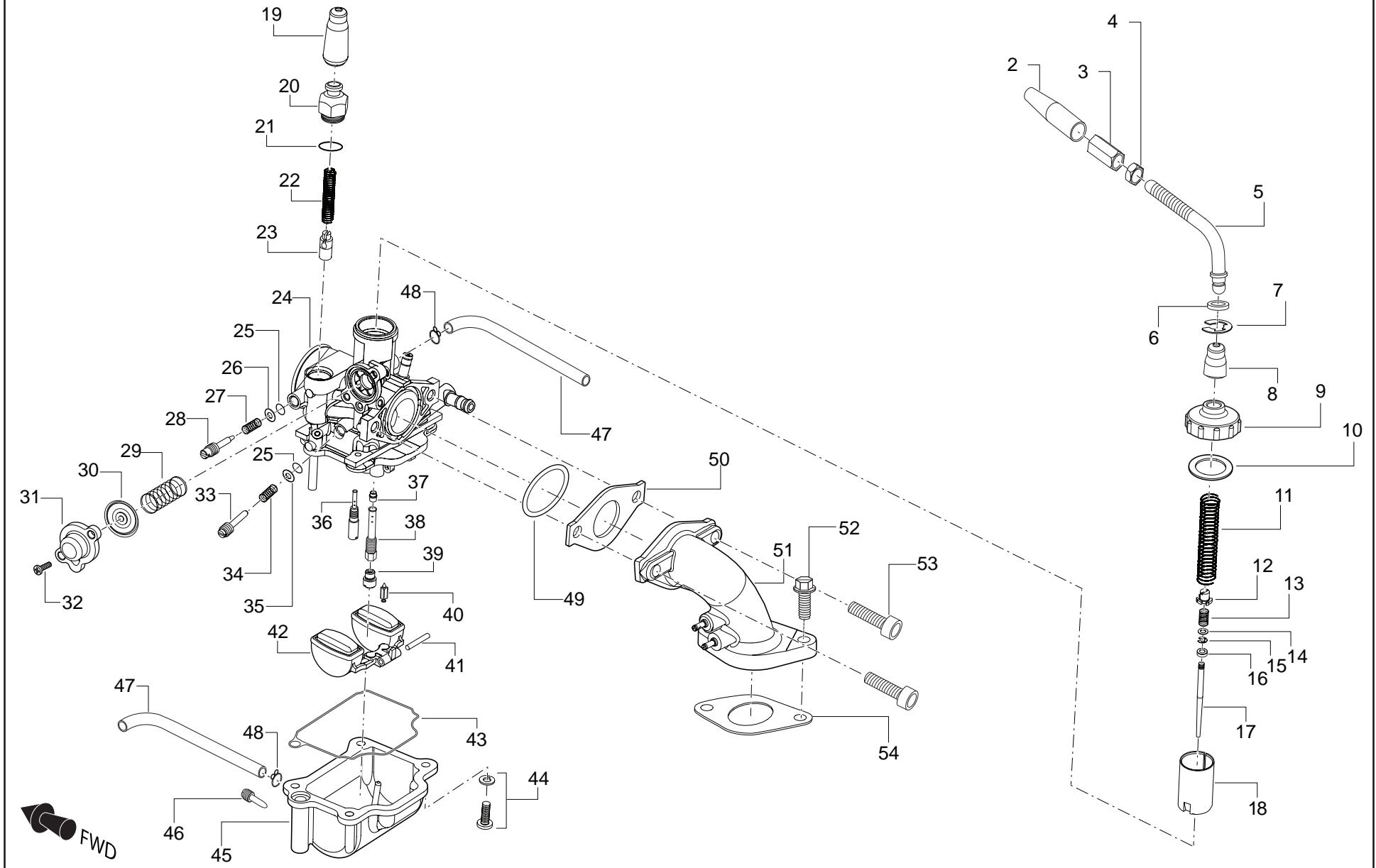
Fig No. 07

REF. NO.	PART NO.	DESCRIPTION	QUANTITY						REMARKS
			NEO			NEO X3i			
			SW-DRUM	SW-DISC	CW	SW-DRUM	SW-DISC	CW	
1	R1040080	CARBURETTOR ASSEMBLY	1	1	1	1	1	1	
2	R1320500	CAP	1	1	1	1	1	1	
3	R1320490	CABLE GUIDE ADJUSTER	1	1	1	1	1	1	
4	R1320510	NUT	1	1	1	1	1	1	
5	R1321620	CABLE GUIDE ASSEMBLY	1	1	1	1	1	1	
6	R1320470	PACKING	1	1	1	1	1	1	
7	R1320480	E-RING (MIXING TOP)	1	1	1	1	1	1	
8	R1320460	CAP	1	1	1	1	1	1	
9	R1320310	MIXING CAP	1	1	1	1	1	1	
10	R1320320	PACKING	1	1	1	1	1	1	
11	R3320440	SPRING (THROTTLE)	1	1	1	1	1	1	
12	N2320610	HOLDER	1	1	1	1	1	1	
13	N2320330	SPRING (JN)	1	1	1	1	1	1	
14	N2320630	WASHER	1	1	1	1	1	1	
15	N2320340	E-RING	1	1	1	1	1	1	
16	R1320580	RING 2.3	1	1	1	1	1	1	
17	N2320220	JET NEEDLE (NEEDLE)	1	1	1	1	1	1	
18	R1320340	PISTON VALVE (CA)	1	1	1	1	1	1	
19	R1321670	CAP (STARTER)	1	1	1	1	1	1	
20	R1320360	GUIDE HOLDER	1	1	1	1	1	1	
21	R1321540	O-RING (GUIDE HOLDER)	1	1	1	1	1	1	
22	R1320370	SPRING	1	1	1	1	1	1	
23	K320680	PLUNGER ASSEMBLY	1	1	1	1	1	1	
24	----	MIXING BODY ASSEMBLY	1	1	1	1	1	1	NS
25	N2320420	O-RING (AS)	2	2	2	2	2	2	

NOTE : **NS** - NOT SERVICABLE

Fig No. 07

CARBURETTOR ASSEMBLY



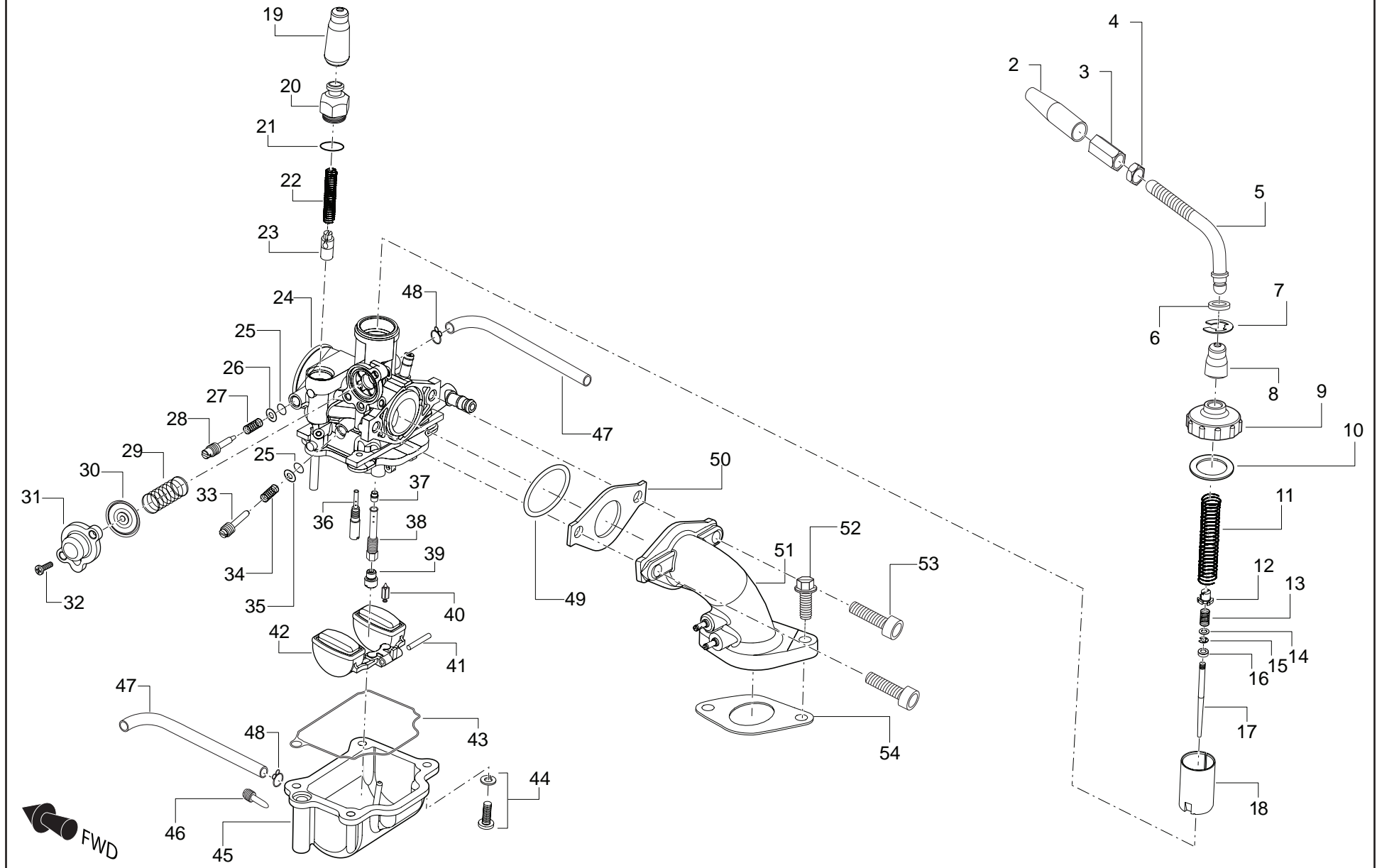
CARBURETTOR ASSEMBLY

Fig No. 07

REF. NO.	PART NO.	DESCRIPTION	QUANTITY						REMARKS
			NEO			NEO X3i			
			SW-DRUM	SW-DISC	CW	SW-DRUM	SW-DISC	CW	
26	K3320500	WASHER AIR ADJUSTER	1	1	1	1	1	1	
27	K3320510	SPRING AIR ADJUSTER	1	1	1	1	1	1	
28	R1321550	AIR SCREW (AS)	1	1	1	1	1	1	
29	R1321640	SPRING (C/R)	1	1	1	1	1	1	
30	R1321630	DIAPHRAGM ASSEMBLY	1	1	1	1	1	1	
31	R1321650	DIAPHRAGM COVER	1	1	1	1	1	1	
32	R1321660	SCREW (C/R)	2	2	2	2	2	2	
33	R1321760	ADJUSTER (IDLE)	1	1	1	1	1	1	
34	R1320440	SPRING (SRA)	1	1	1	1	1	1	
35	K320780	WASHER (SRA)	1	1	1	1	1	1	
36	R1321580	PILOT JET - 17.5	1	1	1	1	1	1	
37	R1321610	NEEDLE JET (JET)	1	1	1	1	1	1	
38	R1321600	JET HOLDER	1	1	1	1	1	1	
39	R1320410	MAIN JET - 82.5	1	1	1	1	1	1	
40	R1321570	NEEDLE ASSEMBLY	1	1	1	1	1	1	
41	K3320310	PIN FLOAT	1	1	1	1	1	1	
42	R1320420	FLOAT ASSEMBLY	1	1	1	1	1	1	
43	K320380	SEAL (FCB)	1	1	1	1	1	1	
44	K3320530	SCREW (FCB)	4	4	4	4	4	4	
45	R1321780	FLOAT BODY ASSEMBLY	1	1	1	1	1	1	
46	N2320310	SCREW DRAIN	1	1	1	1	1	1	
47	R1321800	HOSE	2	2	2	2	2	2	
48	N5320400	CLIP	2	2	2	2	2	2	
49	R1321560	O-RING (FLANGE)	1	1	1	1	1	1	
50	R1040790	GASKET CARBURETTOR	1	1	1	1	1	1	

Fig No. 07

CARBURETTOR ASSEMBLY



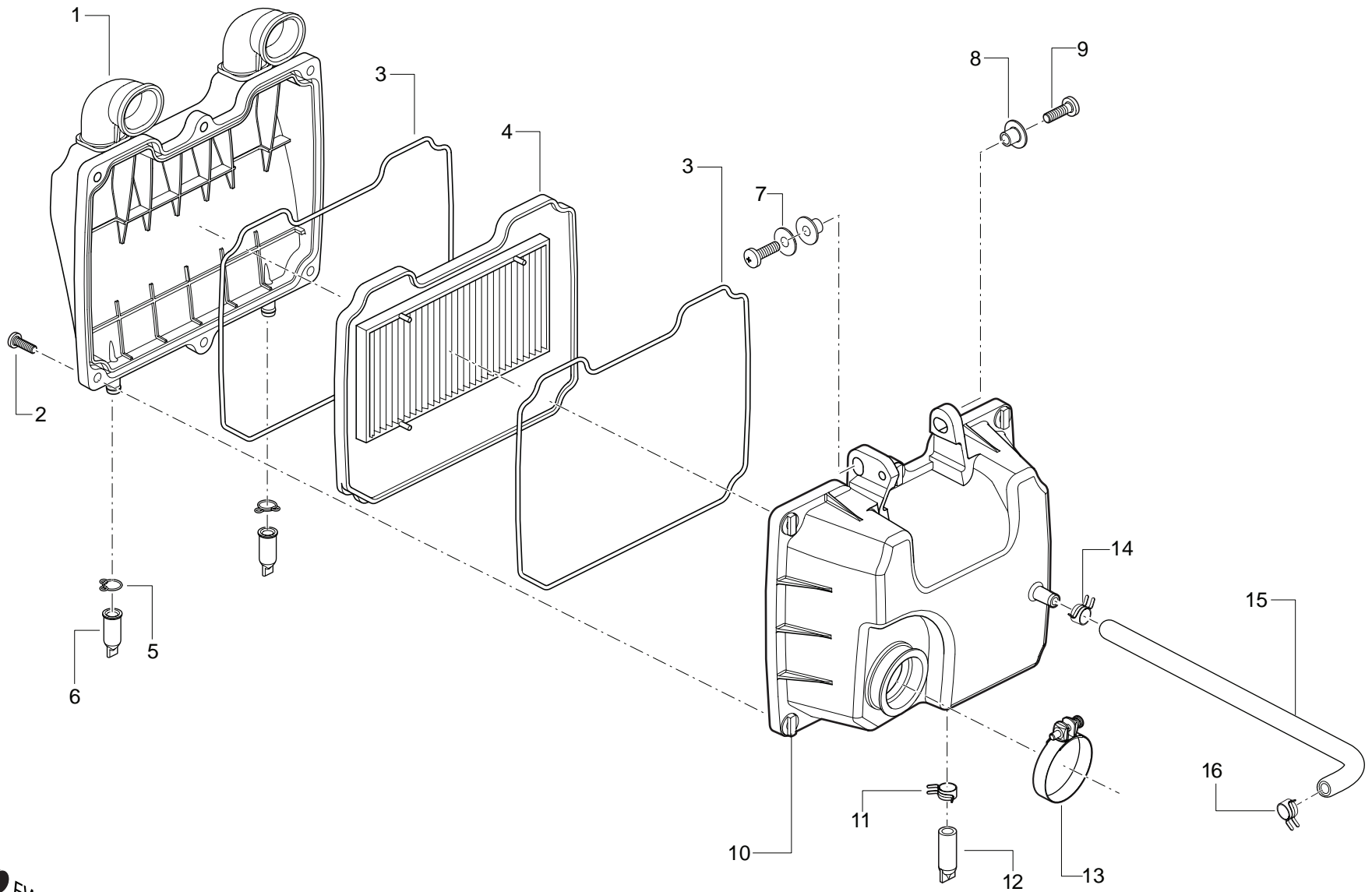
CARBURETTOR ASSEMBLY

Fig No. 07

REF. NO.	PART NO.	DESCRIPTION	QUANTITY						REMARKS
			NEO			NEO X3i			
			SW-DRUM	SW-DISC	CW	SW-DRUM	SW-DISC	CW	
51	R1040390	PIPE INTAKE COMP	1	1	1	1	1	1	
52	M1200530	HEX FL BOLT M6x20 (PIPE &HEAD)	2	2	2	2	2	2	
53	N2200470	HEX SOCKET HEAD SCREW M6x20	2	2	2	2	2	2	
54	R1040570	GASKET PIPE INTAKE	1	1	1	1	1	1	

Fig No. 08

AIR CLEANER ASSEMBLY



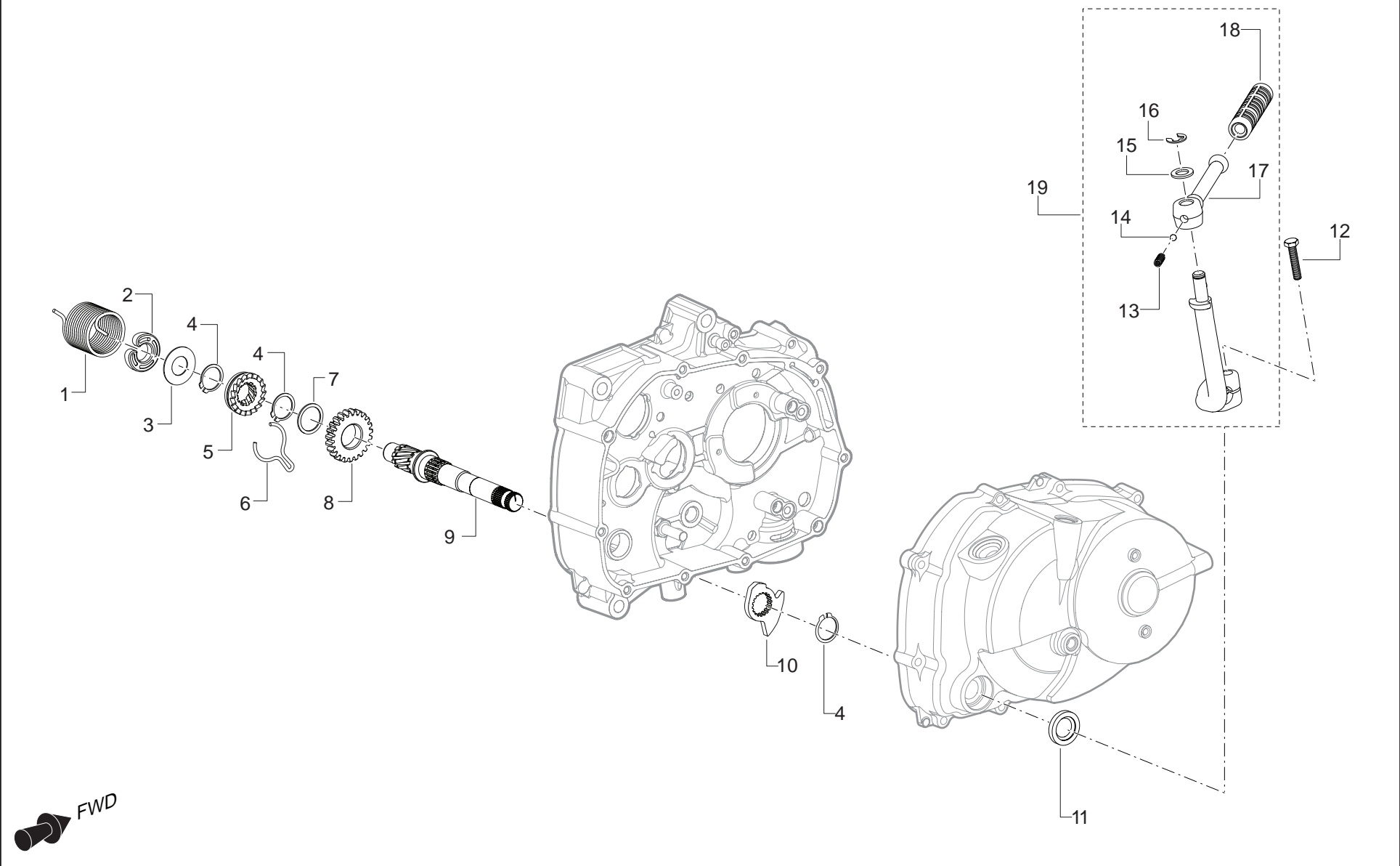
AIR CLEANER ASSEMBLY

Fig No. 08

REF. NO.	PART NO.	DESCRIPTION	QUANTITY						REMARKS
			NEO			NEO X3i			
			SW-DRUM	SW-DISC	CW	SW-DRUM	SW-DISC	CW	
1	R1040260	COVER AIR CLEANER	1	1	1	1	1	1	
2	0331718	CRR PAN HEAD SCREW M5x16	6	6	6	6	6	6	
3	R1040400	SEAL CASE AIR CLEANER	2	2	2	2	2	2	
4	R1040290	FILTER COMP AIR CLEANER	1	1	1	1	1	1	
5	N3040370	CLAMP DRAIN PIPE (PRE FILTER)	2	2	2	2	2	2	
6	R1040780	DRAIN PIPE (PRE FILTER)	2	2	2	2	2	2	
7	P1200100	PUNCHED WASHER 6.4x18x1.5	1	1	1	1	1	1	
8	M1121060	CUP WASHER	2	2	2	2	2	2	
9	K200700	CRR PAN HEAD SCREW M6x25	2	2	2	2	2	2	
10	R1040250	CASE AIR CLEANER	1	1	1	1	1	1	
11	R1200340	HOSE CLIP DIA 9.4	1	1	1	1	1	1	
12	N3040360	DRAIN PIPE (POST FILTER)	1	1	1	1	1	1	
13	R1040460	CLAMP BREATHER HOSE	1	1	1	1	1	1	
14	N9140840	HOSE CLAMP DIA 11	1	1	1	1	1	1	
15	R3040030	HOSE BREATHER PCV	1	1	1	1	1	1	
16	R1140440	HOSE CLIP DIA 13	1	1	1	1	1	1	
17	R1040350	AIR CLEANER ASSY	1	1	1	1	1	1	

Fig No. 09

KICKSTARTER ASSEMBLY



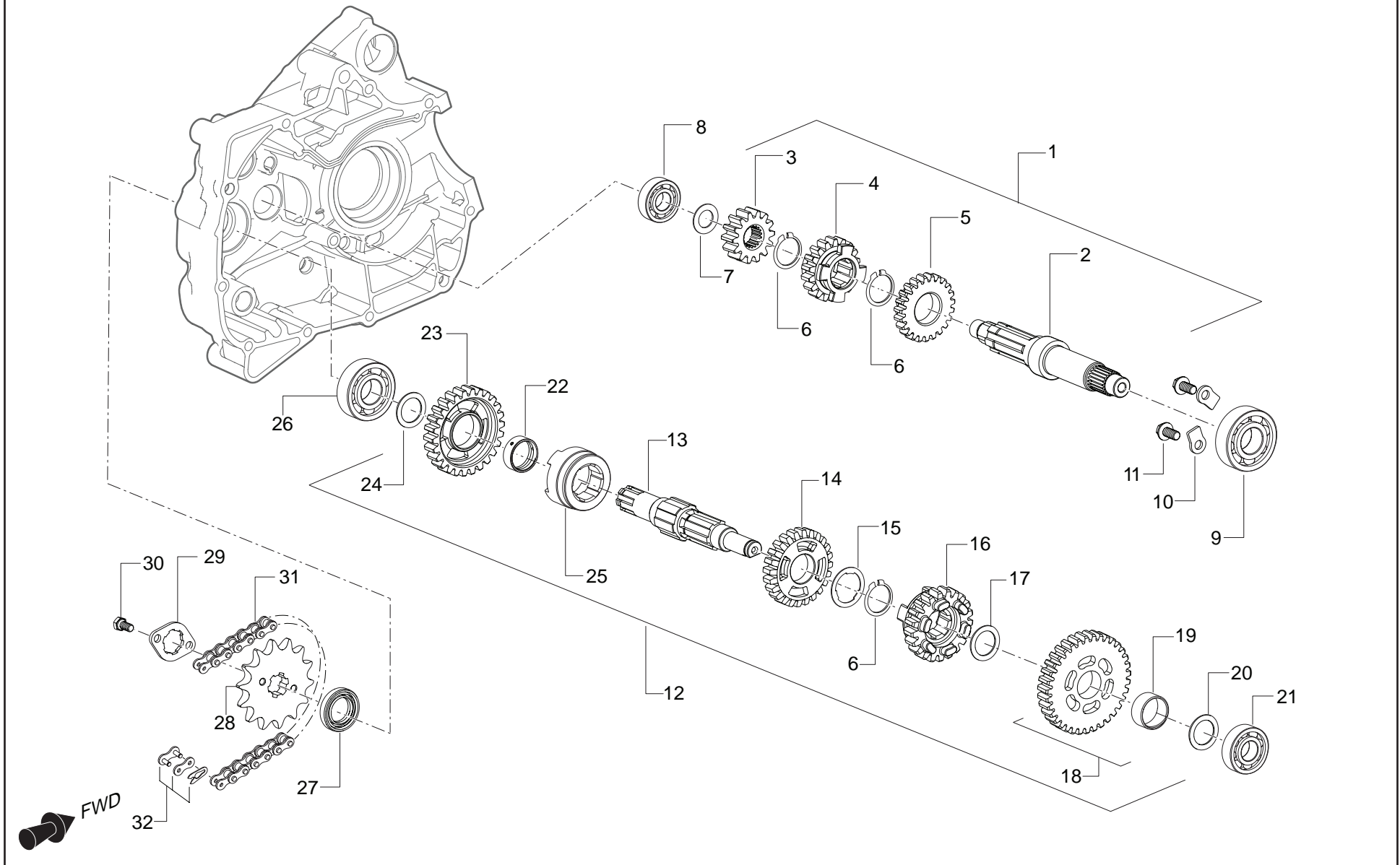
KICKSTARTER ASSEMBLY

Fig No. 09

REF. NO.	PART NO.	DESCRIPTION	QUANTITY						REMARKS
			NEO			NEO X3i			
			SW-DRUM	SW-DISC	CW	SW-DRUM	SW-DISC	CW	
1	R1080650	SPRING KICKSTARTER	1	1	1	1	1	1	
2	R1080790	KICKSTARTER SPRING GUIDE	1	1	1	1	1	1	
3	408049000	SHIM 16x32x0.9	1	1	1	1	1	1	
4	0330174	CIRCLIP EXTERNAL 20x1.2	3	3	3	3	3	3	
5	R1080620	RATCHET KICKSTARTER	1	1	1	1	1	1	
6	R1080660	SPRING KICKSTARTER RATCHET	1	1	1	1	1	1	
7	N5200140	SHIM 20.5x25.5x1.5	1	1	1	1	1	1	
8	R1080610	GEAR KICKSTARTER	1	1	1	1	1	1	
9	R1080600	SHAFT KICKSTARTER	1	1	1	1	1	1	
10	R1080630	RETAINER KICKSTARTER	1	1	1	1	1	1	
11	S1200490	OIL SEAL 16x28x5	1	1	1	1	1	1	
12	1202440	HEX SCREW M8x25	1	1	1	1	1	1	
13	N2081430	SPRING KICKSTARTER LEVER	1	1	1	1	1	1	
14	N2081440	BALL KICKSTARTER LEVER	1	1	1	1	1	1	
15	0335528	PUNCHED WASHER 10.5x18x1.6 ZNB	1	1	1	1	1	1	
16	420919000	CIRCLIP (E - RING)	1	1	1	1	1	1	
17	R1080740	PEDAL KICKSTARTER LEVER	1	1	1	1	1	1	
18	N2081760	RUBBER KICKSTARTER LEVER	1	1	1	1	1	1	
19	R1080720	LEVER ASSY KICKSTARTER	1	1	1	1	1	1	

Fig No. 10

TRANSMISSION ASSEMBLY



TRANSMISSION ASSEMBLY

Fig No. 10

REF. NO.	PART NO.	DESCRIPTION	QUANTITY						REMARKS
			NEO			NEO X3i			
			SW-DRUM	SW-DISC	CW	SW-DRUM	SW-DISC	CW	
1	R1080110	SHAFT ASSY COUNTER	1	1	1	1	1	1	
2	R1080120	COUNTER SHAFT	1	1	1	1	1	1	
3	R1080760	GEAR 2ND DRIVE	1	1	1	1	1	1	
4	M7080339	GEAR 3RD DRIVE	1	1	1	1	1	1	
5	R1081120	GEAR 4TH DRIVE	1	1	1	1	1	1	
6	0330174	CIRCLIP EXTERNAL 20x1.2	3	3	3	3	3	3	
7	R1200170	SHIM	1	1	1	1	1	1	
8	N2200400	BALL BEARING 12x28x8 - 6001	1	1	1	1	1	1	
9	N2200410	BALL BEARING 20x42x12 - 6004C	1	1	1	1	1	1	
10	R1080710	RETAINER BEARING	2	2	2	2	2	2	
11	N8200060	HEX. FL HD SCREW M6x10	2	2	2	2	2	2	
12	R1080130	SHAFT ASSY DRIVE	1	1	1	1	1	1	
13	R1080350	SHAFT DRIVE	1	1	1	1	1	1	
14	M7080280	GEAR 3RD DRIVEN	1	1	1	1	1	1	
15	M7080860	SHIM	1	1	1	1	1	1	
16	R1081130	GEAR 4TH DRIVEN	1	1	1	1	1	1	
17	M7200420	SHIM 16.6x24x1.0	1	1	1	1	1	1	
18	R1080800	GEAR COMP 1ST DRIVEN	1	1	1	1	1	1	
19	M7080369	BUSH	1	1	1	1	1	1	
20	R1200170	SHIM	1	1	1	1	1	1	
21	420602000	BALL BEARING 12x32x10 - 6201	1	1	1	1	1	1	
22	N5080060	BUSH 1ST GEAR DRIVEN	1	1	1	1	1	1	
23	M7080890	GEAR 2ND DRIVEN	1	1	1	1	1	1	
24	R1080860	SHIM 17.5x27x1	1	1	1	1	1	1	
25	R1080420	SLIDER	1	1	1	1	1	1	

Fig No. 10

TRANSMISSION ASSEMBLY

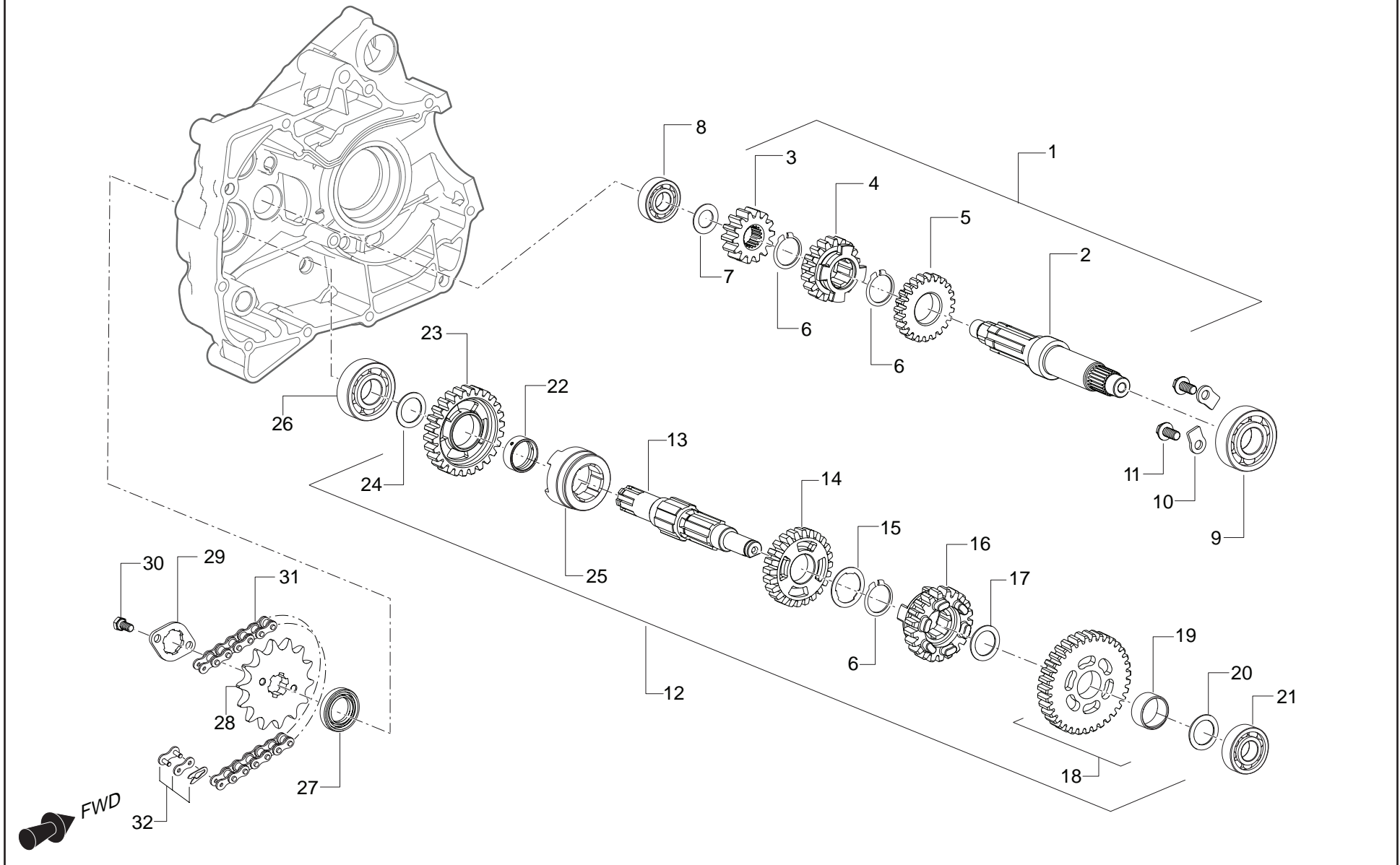
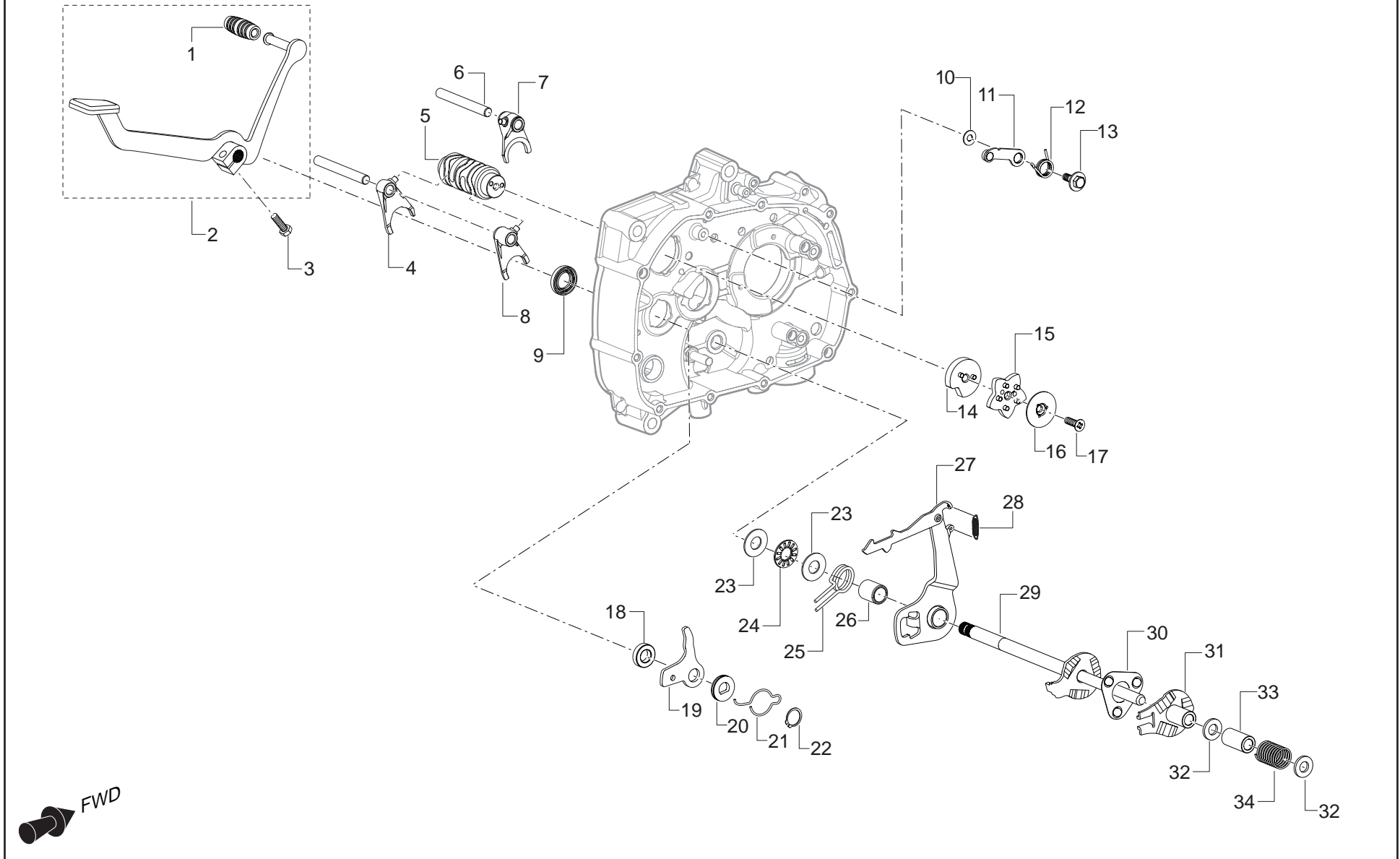


Fig No. 11

GEARSHIFT MECHANISM



GEARSHIFT MECHANISM

Fig No. 11

REF. NO.	PART NO.	DESCRIPTION	QUANTITY						REMARKS
			NEO			NEO X3i			
			SW-DRUM	SW-DISC	CW	SW-DRUM	SW-DISC	CW	
1	N2081740	RUBBER GEAR SHIFT PEDAL	1	1	1	1	1	1	
2	R1080870	LEVER ASSY GEAR SHIFT	1	1	1	1	1	1	
3	420462700	HEX SCREW M6x20	1	1	1	1	1	1	
4	R1080840	FORK GEAR SHIFT NO - 2	1	1	1	1	1	1	
5	R1080170	CAM GEAR SHIFT	1	1	1	1	1	1	
6	R1080480	SHAFT GEAR SHIFT FORK	2	2	2	2	2	2	
7	M7080470	FORK GEAR SHIFT HIGH SPEED	1	1	1	1	1	1	
8	R1080830	FORK GEAR SHIFT NO - 1	1	1	1	1	1	1	
9	N2081720	OIL SEAL GEAR SHIFT SHAFT	1	1	1	1	1	1	
10	M1200690	SHIM 6x14x1	1	1	1	1	1	1	
11	R1080440	STOPPER COMP GEAR SHIFT	1	1	1	1	1	1	
12	R1080770	SPRING GEAR SHIFT CAM STOPPER	1	1	1	1	1	1	
13	M1080830	BOLT GEAR SHIFT CAM STOPPER	1	1	1	1	1	1	
14	R1080960	PLATE COMP 4TH GEAR LOCK	1	1	1	1	1	1	
15	R1080940	INDEX STAR COMP	1	1	1	1	1	1	
16	3040013	RETAINER GEAR SHIFT CAM DRIVE PIN	1	1	1	1	1	1	
17	0332248	CRR CSK SREW M6x20	1	1	1	1	1	1	
18	R1080670	SPACER ARM GEAR SHIFT CAM LOCK	1	1	1	1	1	1	
19	R1080140	ARM GEAR SHIFT CAM LOCK	1	1	1	1	1	1	
20	R1080150	BOSS LOCK ARM SPRING	1	1	1	1	1	1	
21	R1080160	SPRING GEARSHIFT CAMLOCK ARM	1	1	1	1	1	1	
22	M1200870	CIRCLIP 12x1.0	1	1	1	1	1	1	
23	R1080780	SHIM 12x26x1.0	2	2	2	2	2	2	
24	R1200010	THRUST BEARING 12x26x2	1	1	1	1	1	1	
25	R1080460	SPRING SHIFT SHAFT RETURN	1	1	1	1	1	1	

Fig No. 11

GEARSHIFT MECHANISM

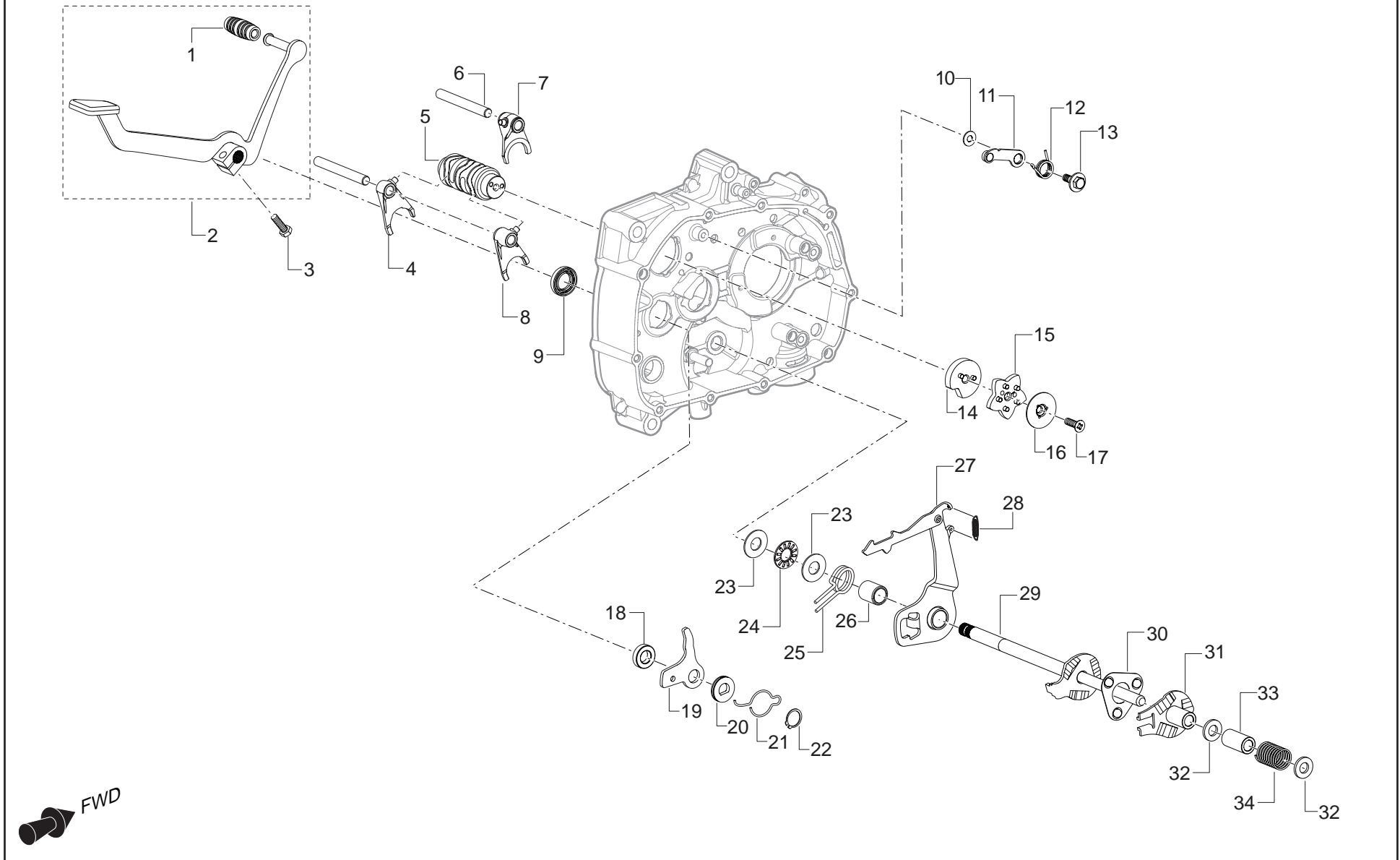
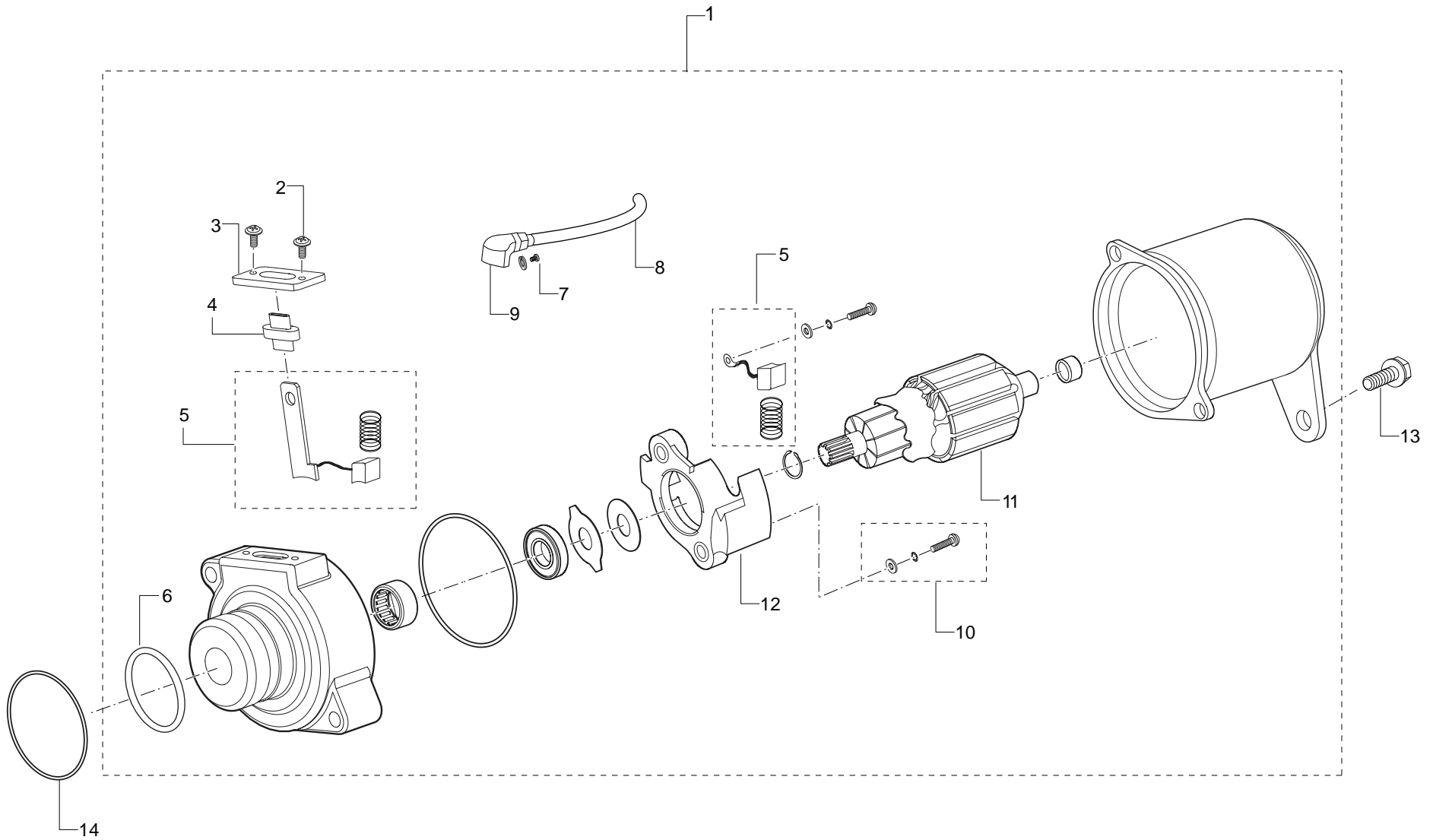


Fig No. 12

STARTER MOTOR ASSEMBLY



STARTER MOTOR ASSEMBLY

Fig No. 12

REF. NO.	PART NO.	DESCRIPTION	QUANTITY						REMARKS
			NEO			NEO X3i			
			SW-DRUM	SW-DISC	CW	SW-DRUM	SW-DISC	CW	
1	R1060060	STARTER MOTOR ASSEMBLY	1	1	1	1	1	1	
2	R1321290	SCREW, PLATE POSITIVE TERMINAL	2	2	2	2	2	2	
3	R1321280	PLATE POSITIVE TERMINAL	1	1	1	1	1	1	
4	R1321300	BOOT POSITIVE TERMINAL	1	1	1	1	1	1	
5	R1321230	CARBON BRUSH SET	1	1	1	1	1	1	
6	R1321270	O' RING, STARTER MOTOR	1	1	1	1	1	1	
7	R1321320	SCREW HARNESS	1	1	1	1	1	1	
8	R1321310	HARNESS POSITIVE TERMINAL	1	1	1	1	1	1	
9	R1321250	BOOT TERMINAL	1	1	1	1	1	1	
10	R1321260	SCREW SET, BRUSH	2	2	2	2	2	2	
11	R1321330	ARMATURE ASSY	1	1	1	1	1	1	
12	R1321240	BRUSH HOLDER	1	1	1	1	1	1	
13	N3200220	HEX FLANGE BOLT M6x16	2	2	2	2	2	2	
14	R1030320	GASKET STARTER MOTOR	1	1	1	1	1	1	

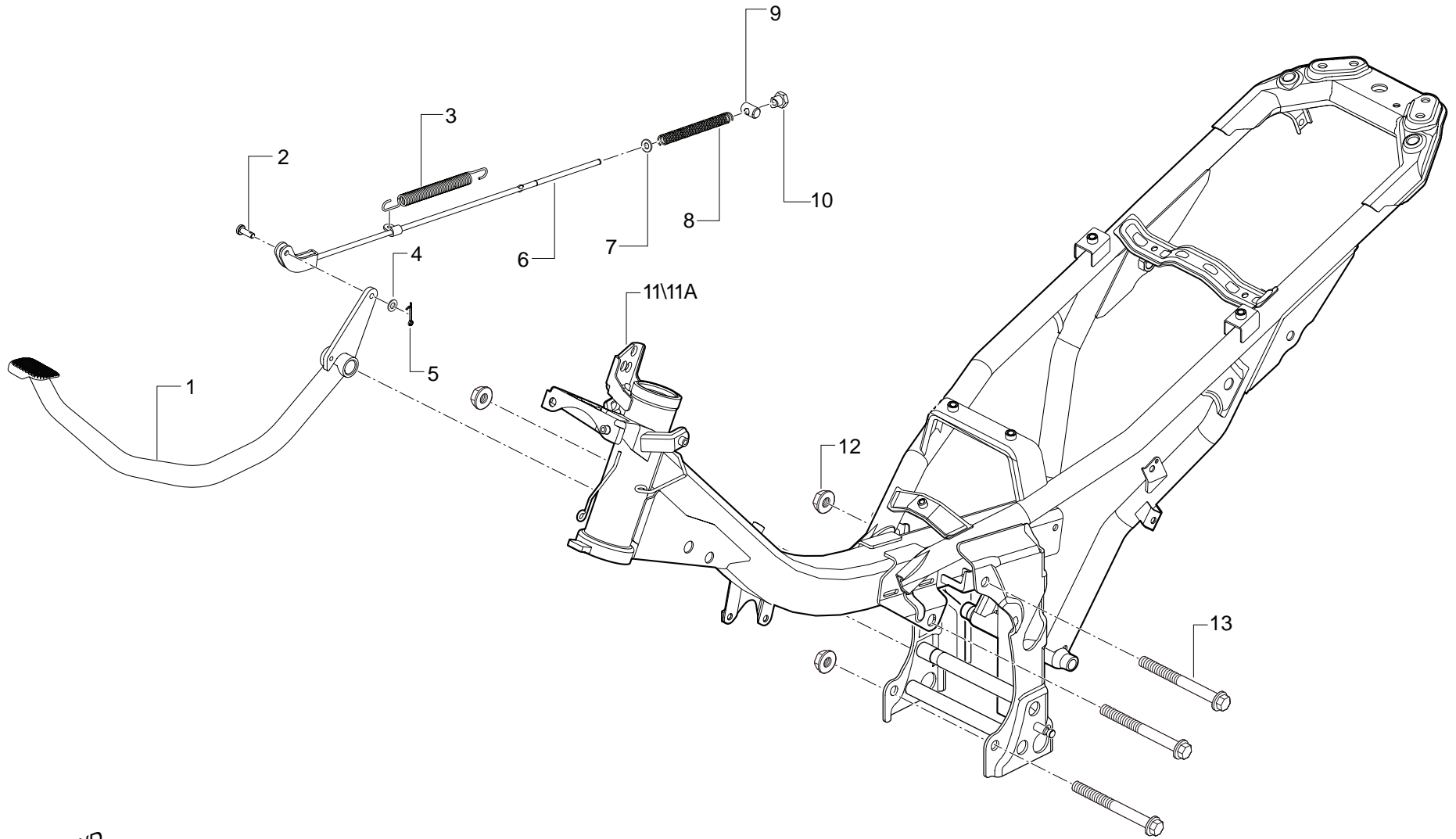
FUEL SYSTEM

Fig No. 13

REF. NO.	PART NO.	DESCRIPTION	QUANTITY						REMARKS
			NEO			NEO X3i			
			SW-DRUM	SW-DISC	CW	SW-DRUM	SW-DISC	CW	
1	0331708	CRR PAN HD SCREW M5x12	4	4	4	4	4	4	
2	0335558	PUNCHED WASHER 5.5x12x1.0	4	4	4	4	4	4	
3	R1160050	FUEL SENDER UNIT	1	1	1	1	1	1	
3A	R1160820	FUEL SENDER UNIT (TFR)				1	1	1	
4	K3140300	SEAL, SENDER UNIT	1	1	1	1	1	1	
5	R1140100	FUEL TANK COMP	1	1	1	1	1	1	
6	R1140430	SEALING RING	1	1	1	1	1	1	
7	R1140260	TANK CAP ASSY	1	1	1	1	1	1	
8	N3200220	HEX FLANGE BOLT M6x16	3	3	3	3	3	3	
9	R1220360	CUSHION COVER FRAME	2	2	2	2	2	2	
10	R1140410	FUEL FILTER	1	1	1	1	1	1	
11	R1140440	HOSE CLIP DIA 13	1	1	1	1	1	1	
12	R1140180	HOSE FUEL TANK TO AFC	1	1	1	1	1	1	
13	R1140340	HOSE CLIP DIA 10	3	3	3	3	3	3	
14	R1140220	AUTO FUEL COCK	1	1	1	1	1	1	
15	R1140520	HOSE AFC TO CARBURETTOR	1	1	1	1	1	1	
16	R1140190	HOSE VACUUM	1	1	1	1	1	1	
17	R1140350	HOSE CLIP DIA 7	2	2	2	2	2	2	

Fig No. 14

FRAME ASSEMBLY



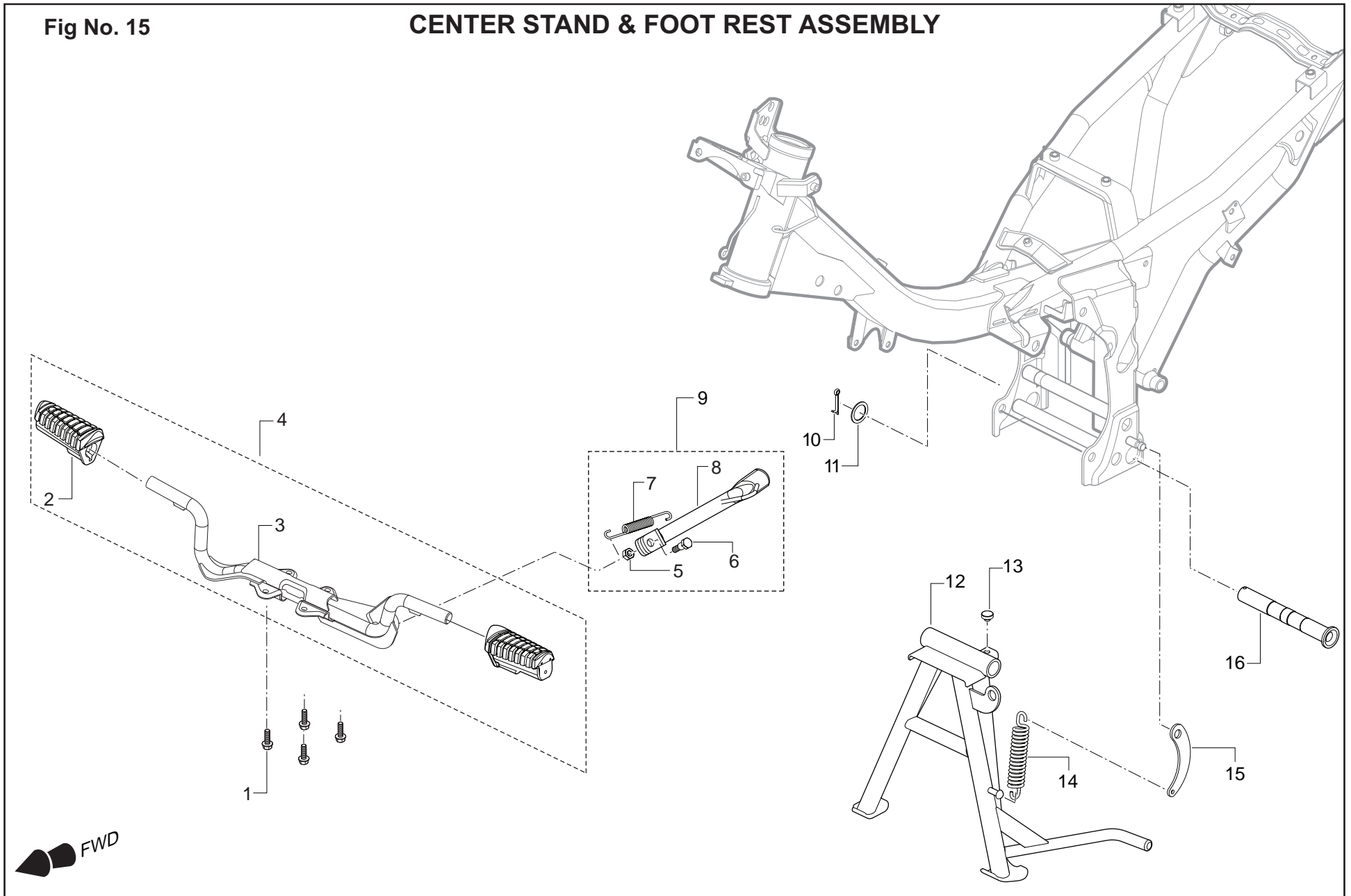
FRAME ASSEMBLY

Fig No. 14

REF. NO.	PART NO.	DESCRIPTION	QUANTITY						REMARKS
			NEO			NEO X3i			
			SW-DRUM	SW-DISC	CW	SW-DRUM	SW-DISC	CW	
1	R1110010	PEDAL COMP BRAKE	1	1	1	1	1	1	
2	N2110600	PIN REAR BRAKE CONNECTOR	1	1	1	1	1	1	
3	N2110700	BRAKE RETURN SPRING	1	1	1	1	1	1	
4	0335558	PUNCHED WASHER 5.5x12x1.0	1	1	1	1	1	1	
5	0330048	SPLIT PIN 2.0x20 ZNB	1	1	1	1	1	1	
6	R1110150	ROD REAR BRAKE COMP	1	1	1	1	1	1	
7	0335578	PUNCHED WASHER 6.5x13.0x1.0 ZNB	1	1	1	1	1	1	
8	N3110360	SPRING REAR BRAKE ROD ADJUSTER	1	1	1	1	1	1	
9	S1111930	PIN REAR BRAKE ROD LEVER	1	1	1	1	1	1	
10	0334278	NUT REAR BRAKE ROD ADJUSTER	1	1	1	1	1	1	
11	R1120010	FRAME COMP	1	1	1				
11A	R1122900	FRAME COMP (X3i)				1	1	1	
12	R1200360	HEX FLANGE U NUT M10x1.25	3	3	3	3	3	3	
13	R1200370	HEX FL BOLT M10x110x1.25	3	3	3	3	3	3	

Fig No. 15

CENTER STAND & FOOT REST ASSEMBLY



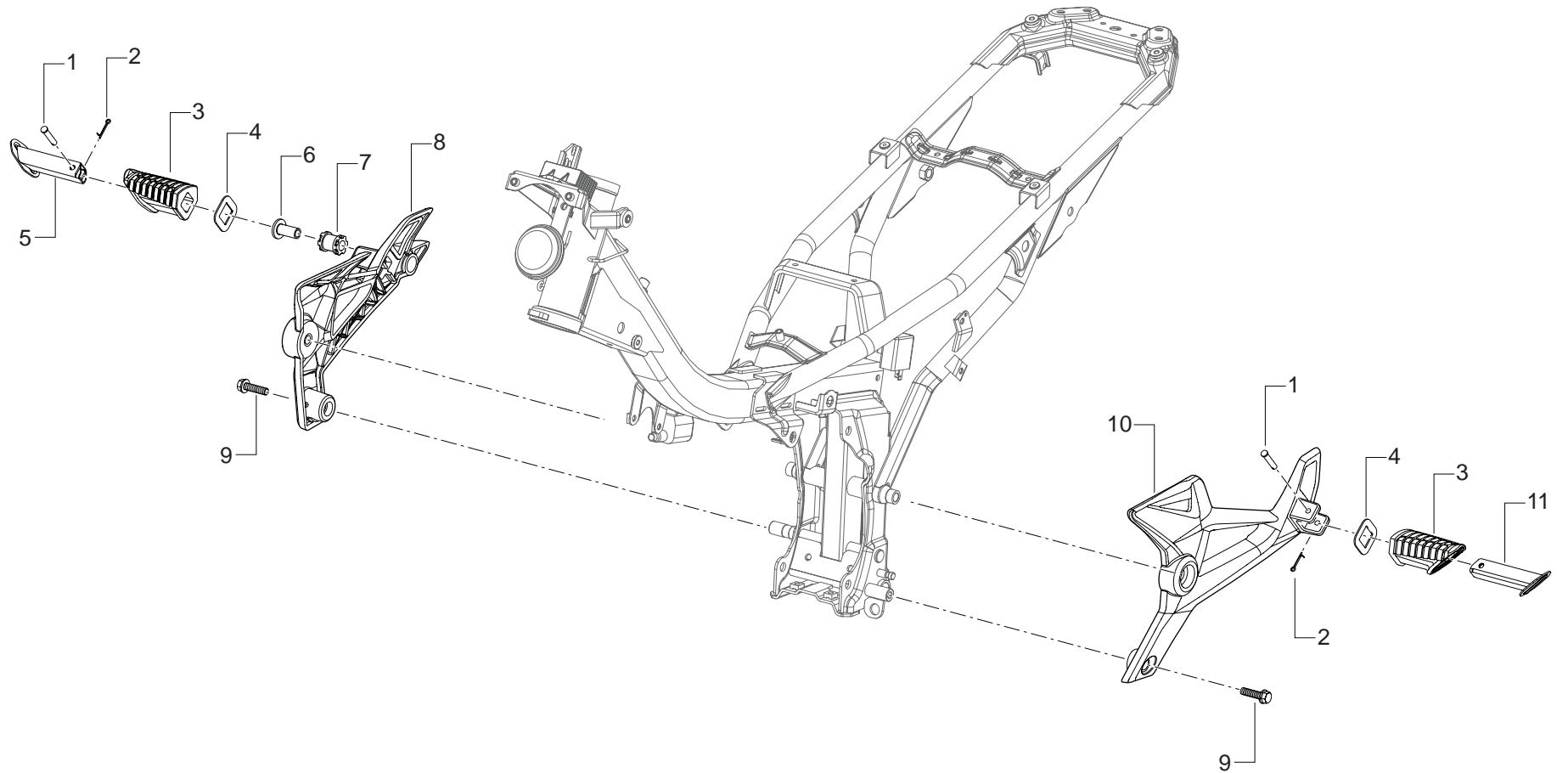
CENTER STAND FOOT REST ASSEMBLY

Fig No. 15

REF. NO.	PART NO.	DESCRIPTION	QUANTITY						REMARKS
			NEO			NEO X3i			
			SW-DRUM	SW-DISC	CW	SW-DRUM	SW-DISC	CW	
1	R1200310	HEX FLANGE SCREW M8x20	4	4	4	4	4	4	
2	R1122280	SLEEVE, FOOTREST FRONT	2	2	2	2	2	2	
3	R1122200	FOOTREST COMP FRONT	1	1	1	1	1	1	
4	R1321110	FOOT REST ASSY (FRONT)	1	1	1	1	1	1	
5	0334548	HEXAGONAL NUT M8	1	1	1	1	1	1	
6	N9200010	HEX BOLT M8x1.25x30	1	1	1	1	1	1	
7	N5121610	SPRING PROP STAND	1	1	1	1	1	1	
8	R1121420	PROP STAND COMP	1	1	1	1	1	1	
9	R1321170	KIT PROP STAND	1	1	1	1	1	1	
10	0330028	SPLIT PIN 3.2x25 ZNB	1	1	1	1	1	1	
11	S1111390	PUNCHED WASHER 17.5x24x1	1	1	1	1	1	1	
12	R1120090	STAND COMP CENTER	1	1	1	1	1	1	
13	412069000	TANK REST CUSHION TOP	1	1	1	1	1	1	
14	R1122390	SPRING CENTER STAND	1	1	1	1	1	1	
15	R1122000	PLATE CENTER STAND HOOK	1	1	1	1	1	1	
16	R1121390	PIN CENTER STAND	1	1	1	1	1	1	

Fig No. 16

PILLION FOOTREST ASSEMBLY



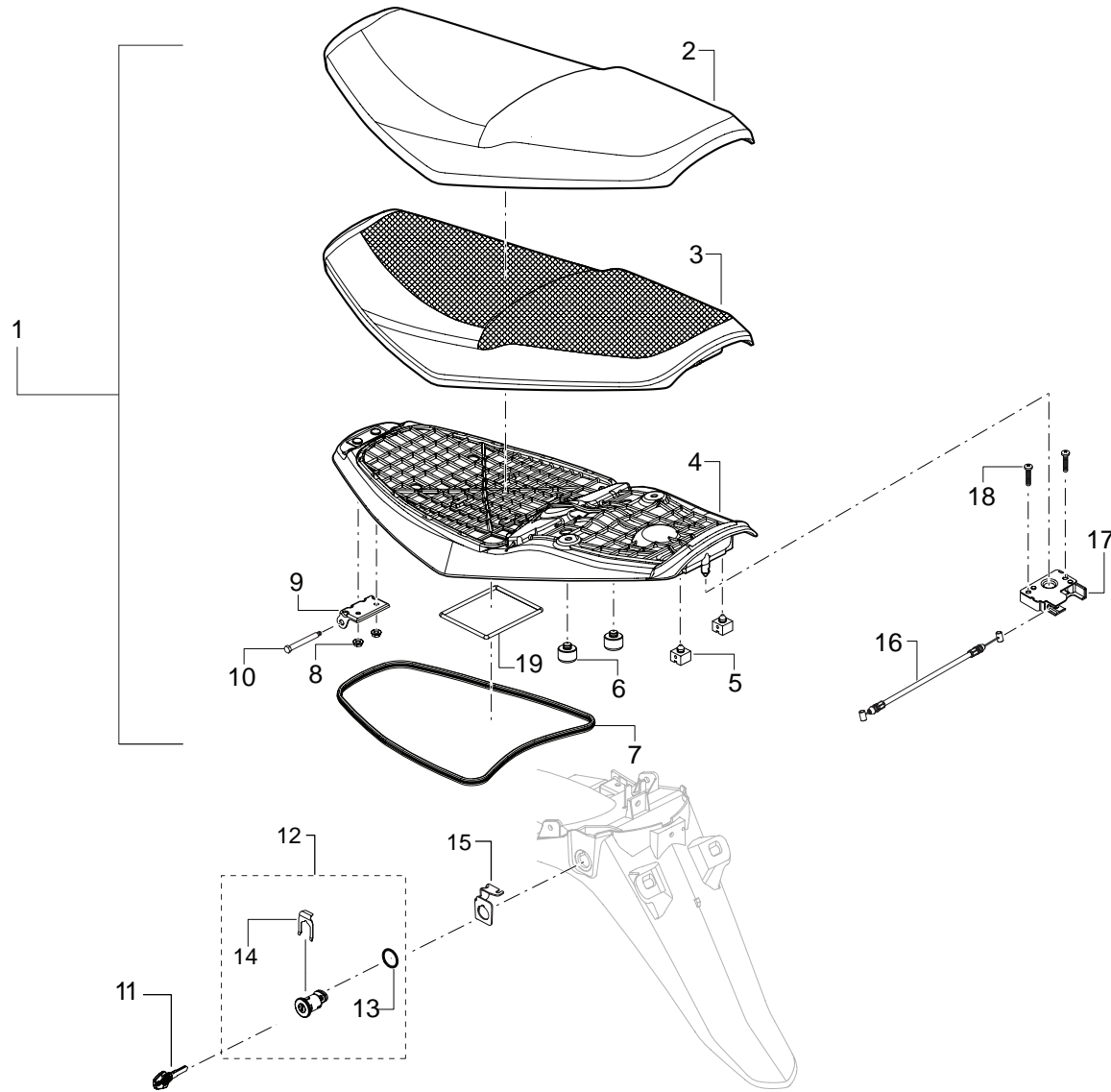
PILLION FOOTREST ASSEMBLY

Fig No. 16

REF. NO.	PART NO.	DESCRIPTION	QUANTITY						REMARKS
			NEO			NEO X3i			
			SW-DRUM	SW-DISC	CW	SW-DRUM	SW-DISC	CW	
1	N9121790	PIN PILLION FOOTREST	2	2	2	2	2	2	
2	0330028	SPLIT PIN 3.5x25 ZNB	2	2	2	2	2	2	
3	R1122160	SLEEVE PILLION FOOTREST	2	2	2	2	2	2	
4	R1123040	WASHER PILLION FOOTREST	2	2	2	2	2	2	
5	R1121990	HOLDER COMP PILLION FOOTREST R	1	1	1	1	1	1	
6	R1220270	SPACER PILLION FOOTREST	1	1	1	1	1	1	
7	R1220260	CUSHION EXHAUST MTG	1	1	1	1	1	1	
8	R1220240	PILLION FOOTREST COMP R	1	1	1	1	1	1	
9	R1200310	HEX FLANGE SCREW M8X20	2	2	2	2	2	2	
10	R1220230	PILLION FOOTREST COMP L	1	1	1	1	1	1	
11	R1121950	HOLDER FOOTREST L	1	1	1	1	1	1	

Fig No. 17

SEAT ASSEMBLY



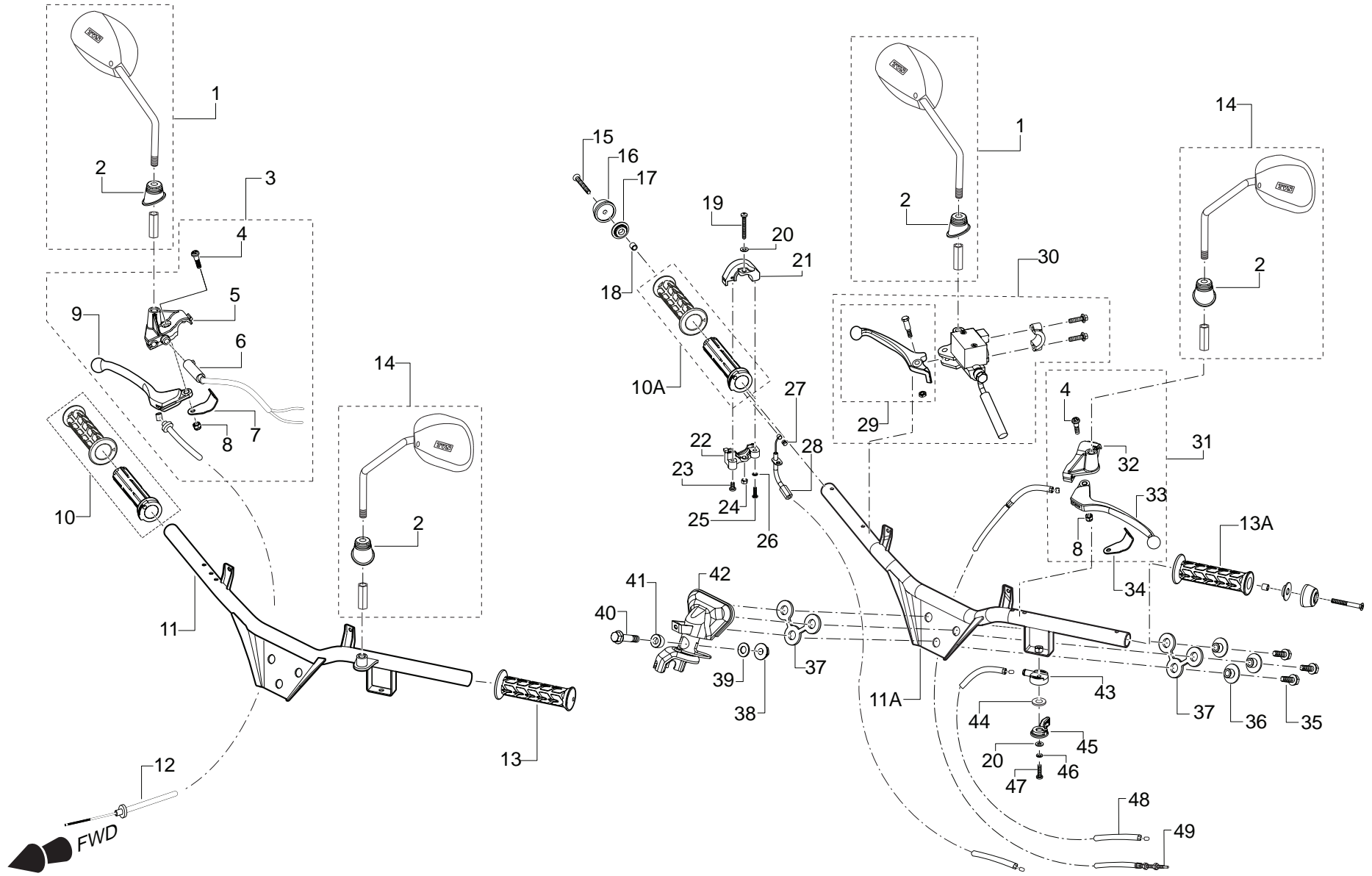
SEAT ASSEMBLY

Fig No. 17

REF. NO.	PART NO.	DESCRIPTION	QUANTITY						REMARKS
			NEO			NEO X3i			
			SW-DRUM	SW-DISC	CW	SW-DRUM	SW-DISC	CW	
1	R1130030	SEAT ASSY	1	1	1	1	1	1	
2	R1130060	REXIN SEAT	1	1	1	1	1	1	
3	R1130050	SEAT FOAM	1	1	1	1	1	1	
4	R1130040	SEAT BASE	1	1	1	1	1	1	
5	M1130240	CUSHION SEAT	2	2	2	2	2	2	
6	N3130040	SEAT REST REAR	2	2	2	2	2	2	
7	R1130130	PACKING SEAT BASE	1	1	1	1	1	1	
8	M1200900	HEX FLANGE NUT M6	2	2	2	2	2	2	
9	R1130100	HINGE COMP SEAT	1	1	1	1	1	1	
10	R1130110	HEX FL SPL BOLT M6x75	1	1	1	1	1	1	
11	R1210140	BLANK KEY	1	1	1	1	1	1	
12	R1300010	SEAT LOCK ASSY	1	1	1	1	1	1	
13	R1300060	RUBBER WASHER	1	1	1	1	1	1	
14	R1300050	LOCK PLATE SEAT LOCK CLIP	1	1	1	1	1	1	
15	R1220350	BRACKET SEAT LOCK	1	1	1	1	1	1	
16	R1320640	SEAT LOCK CABLE	1	1	1	1	1	1	
17	R1320630	LATCH COMP SEAT ASSY	1	1	1	1	1	1	
18	0332238	CRR CSK HEAD SCREW M6x12 ZNB	2	2	2	2	2	2	
19	K210800	O' RING	1	1	1	1	1	1	

Fig No. 18

HANDLE BAR ASSEMBLY



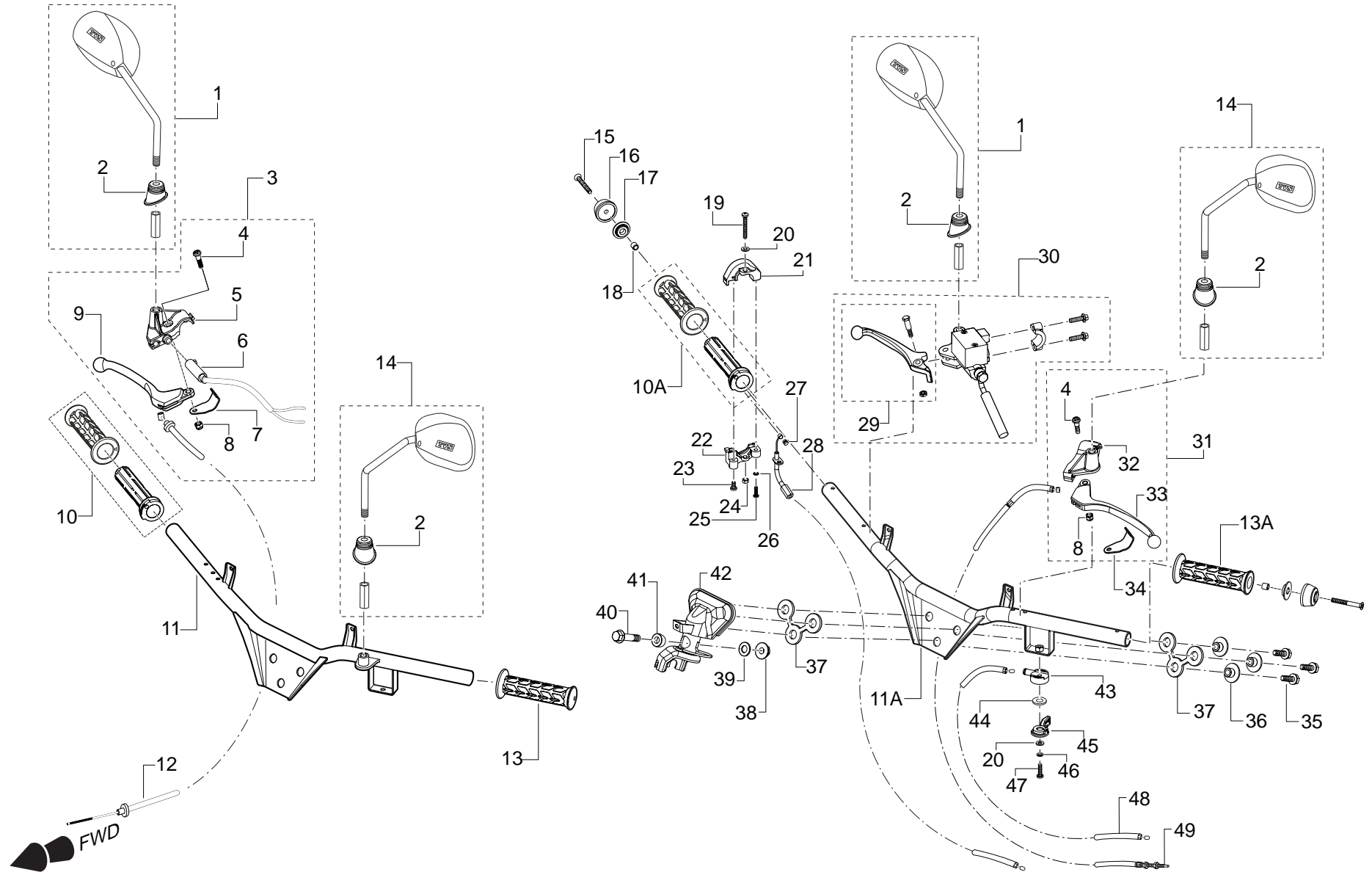
HANDLE BAR ASSEMBLY

Fig No. 18

REF. NO.	PART NO.	DESCRIPTION	QUANTITY						REMARKS
			NEO			NEO X3i			
			SW-DRUM	SW-DISC	CW	SW-DRUM	SW-DISC	CW	
1	R1220640	MIRROR ASSY R	1	1	1	1	1	1	
2	R1320210	DUST CAP	2	2	2	2	2	2	
3	R1150610	CONTROL LEVER ASSY	1			1			
4	K3200420	PAN HEAD SCREW SPECIAL	1		1	1			
5	R1150620	BRKT LEVER R	1			1			
6	D163320	ASSY SWITCH STOP LAMP	1			1			
7	K3150280	CLAMP LEVER BRKT R	1			1			
8	409047000	NYLON LOCK NUT M6	1		1	1			
9	R1150600	BRAKE LEVER R	1			1			
10	R1220300	GRIP COMP THROTTLE	1			1	1	1	
10A	R1220490	GRIP COMP THROTTLE		1	1				
11	R1150230	HANDLE BAR COMP	1			1	1	1	
11A	R1150570	HANDLE BAR COMP		1	1				
12	R1170080	CONTROL CABLE BRAKE FRONT	1			1			
13	R1220290	GRIP L	1			1	1	1	
13A	R1220480	GRIP L		1	1				
14	R1220630	MIRROR ASSY L	1	1	1	1	1	1	
15	M1201060	CRR CSK HD SCREW M6x50		2	2				
16	R1150270	DAMPER HANDLE BAR		2	2				
17	N9150700	RUBBER DAMPER MOUNTING		2	2				
18	N3120140	BUSH TAIL COVER		2	2				
19	0332038	CRR PAN HEAD SCREW M5x45	1	1	1	1	1	1	
20	0335558	PUNCHED WASHER 5.5x12x1.0	2	2	2	2	2	2	
21	K150420	CASE THROTTLE UPPER	1	1	1	1	1	1	
22	K3150570	CASE THROTTLE LOWER	1	1	1	1	1	1	

Fig No. 18

HANDLE BAR ASSEMBLY



HANDLE BAR ASSEMBLY

Fig No. 18

REF. NO.	PART NO.	DESCRIPTION	QUANTITY						REMARKS
			NEO			NEO X3i			
			SW-DRUM	SW-DISC	CW	SW-DRUM	SW-DISC	CW	
23	N8200080	CRR PAN HD SCREW M5x10	1	1	1	1	1	1	
24	420302700	HEX NUT M5	1	1	1	1	1	1	
25	420957700	CRPH SCR M4x15 8.8 ZNB	1	1	1	1	1	1	
26	0330448	WAVE SPRING WASHER M4	1	1	1	1	1	1	
27	0254096	PIECE THROTTLE CABLE END	1	1	1	1	1	1	
28	R1170030	THROTTLE CABLE ASSY	1	1	1	1	1	1	
29	R1320240	KIT LEVER		1	1		1	1	
30	R1150390	MASTER CYLINDER ASSY		1	1		1	1	
31	R1150670	CONTROL LEVER ASSY			1				
32	R1150650	BRACKET LEVER L			1				
33	R1150640	CLUTCH LEVER			1				
34	K3150270	CLAMP LEVER BRKT L			1				
35	M1200480	HEX FL BOLT M8x25	3	3	3	3	3	3	
36	R1150320	BUSH HANDLE BAR	3	3	3	3	3	3	
37	R1150330	CUSHION HANDLE BAR	2	2	2	2	2	2	
38	K200570	U-NUT M10x1.25 FLANGED	1	1	1	1	1	1	
39	420008700	PUNCHED WASHER 11x21x2	1	1	1	1	1	1	
40	K3200660	HEX FL BOLT M10x1.25	1	1	1	1	1	1	
41	S1150500	BUSH	1	1	1	1	1	1	
42	R1150170	UPPER BRKT COMP	1	1	1	1	1	1	
43	R1150530	GUIDE CHOKE CABLE	1	1	1	1	1	1	
44	3160424	ADJUST WASHER	1	1	1	1	1	1	
45	3168600	CHOKE LEVER	1	1	1	1	1	1	
46	0330308	WAVE SPRING WASHER	1	1	1	1	1	1	
47	M1200660	CRR PAN HEAD SCREW	1	1	1	1	1	1	

Fig No. 18

HANDLE BAR ASSEMBLY

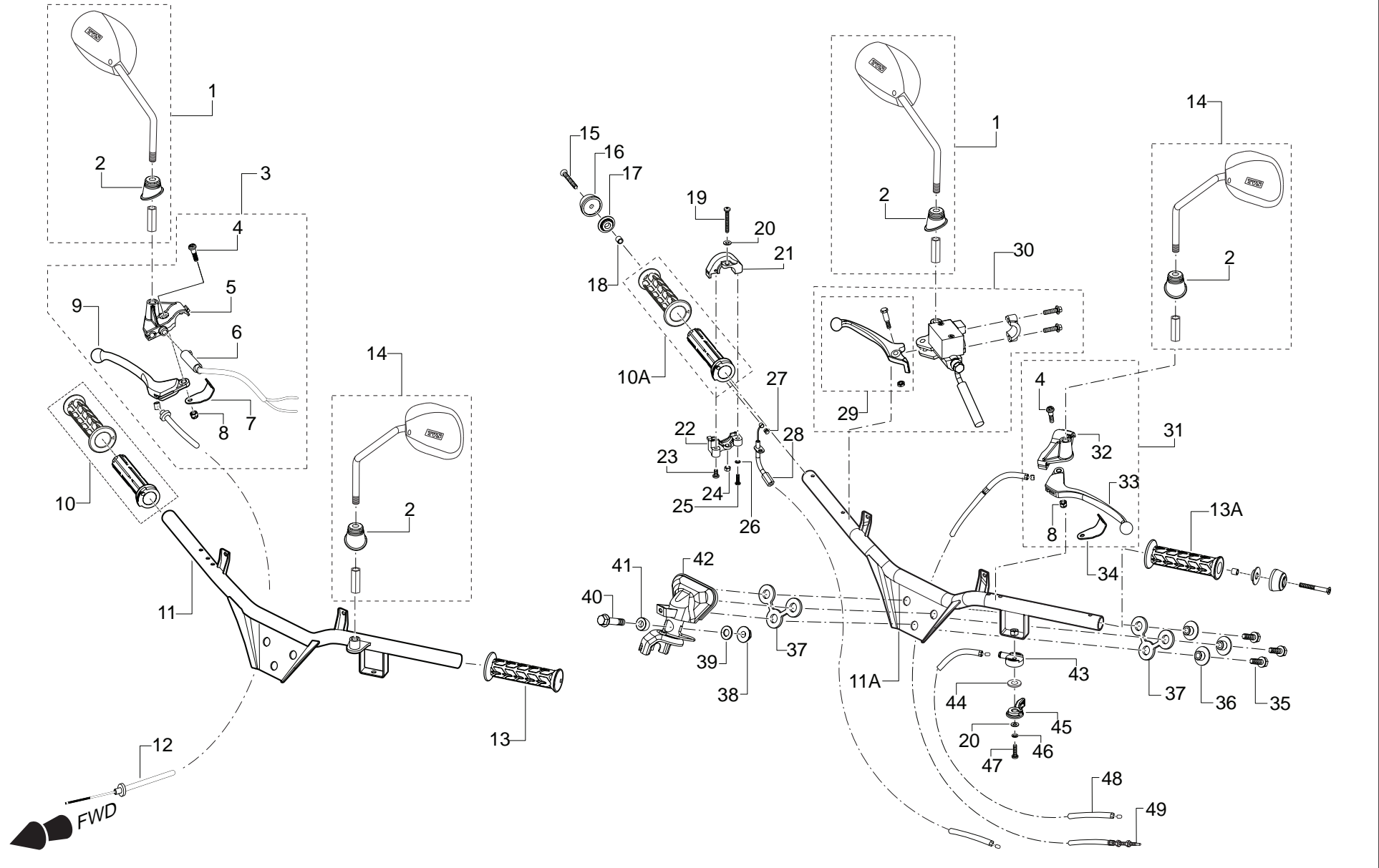
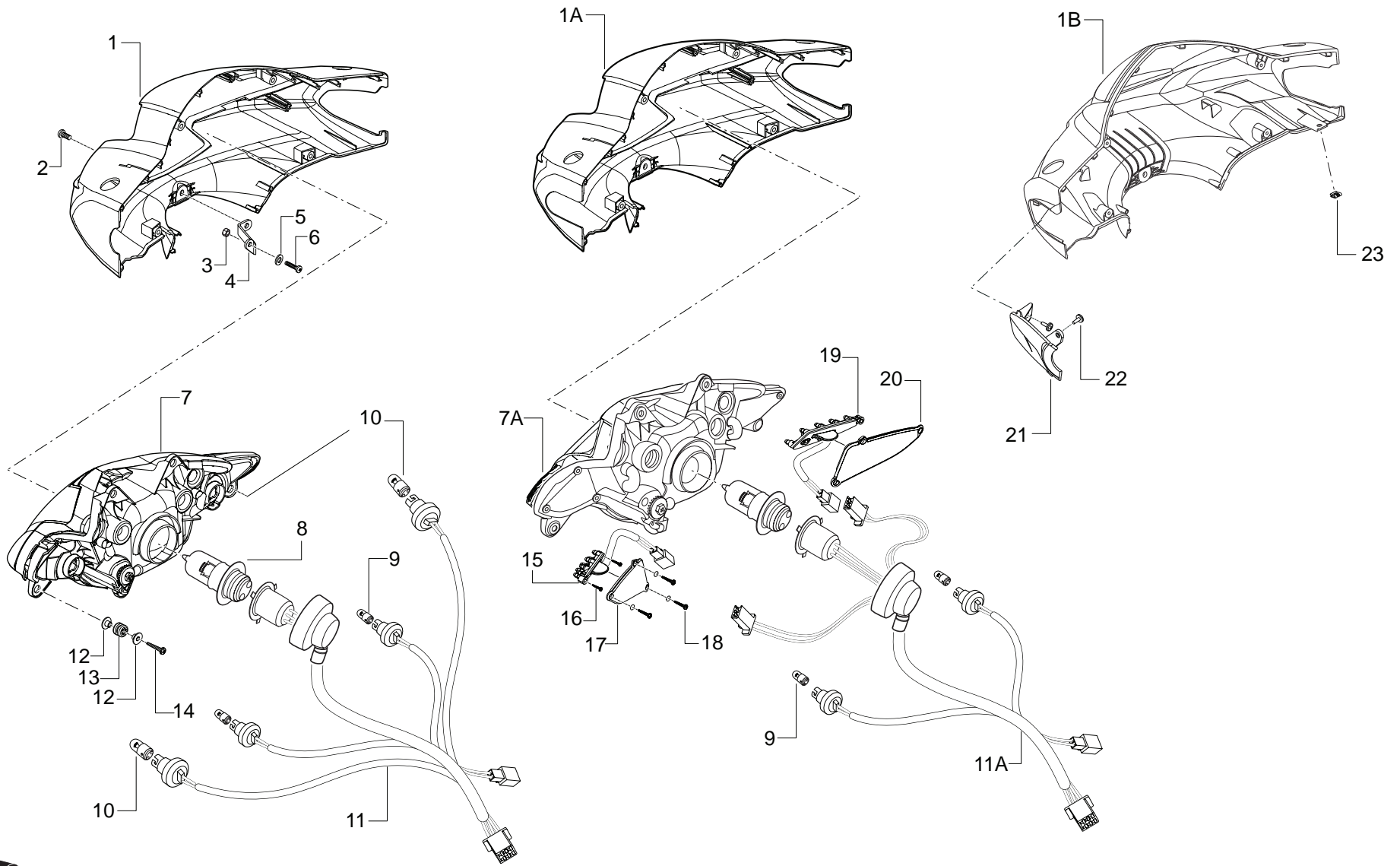


Fig No. 19

HEAD LAMP ASSEMBLY (NEO)



HEAD LAMP ASSEMBLY (NEO)

Fig No. 19

REF. NO.	PART NO.	DESCRIPTION	QUANTITY						REMARKS
			NEO			NEO X3i			
			SW-DRUM	SW-DISC	CW	SW-DRUM	SW-DISC	CW	
1	→	COVER HANDLE FRONT	1	1					REF. PAGE 105
1A	→	COVER HANDLE FRONT			1				REF. PAGE 105
1B	→	COVER HANDLE FRONT				1	1	1	REF. PAGE 105
2	M1200660	CRR PAN HEAD SCREW M5x16	1	1	1	1	1	1	
3	420331700	HEX NUT M4	1	1	1				
6	0331778	CRR PAN HEAD SCREW M4x20	1	1	1				
4	R1320620	BRACKET HEAD LAMP	1	1	1				
5	0335578	PUNCHED WASHER 6.5x13.0x1.0 ZNB	1	1	1				
7	R1160240	HEADLAMP ASSY DRUM	1						
7A	R1160100	HEAD LAMP ASSY DISC & CW		1	1				
8	R1160130	BULB HEAD LAMP 12V 30/30W	1	1	1				
9	R1160720	BULB POSITION LAMP CAP LESS 12V 1.7W	2	2	2				
10	R1160170	BULB TURN SIGNAL	2	2					
11	R1160410	CORD SET HEAD LAMP	1	1					
11A	----	CORD SET HEAD LAMP			1				
12	S1160200	SPACER	10	10	10				
13	S1160190	GROMMEET	5	5	5				
14	K200320	CRR PAN HD TAP SCR ST4.2x16	5	5	5				
15	R1320830	LED SUB ASSY, FRONT TSL LH			1				
16	R1320890	PAN HEAD TAPPING SCREW TSL ASSY			4				
17	R1320850	COVER LED ASSY LH			1				
18	R1320880	PAN HEAD TAPPING SCREW BK COVER			6				
19	R1320840	LED SUB ASSY, FRONT TSL RH			1				
20	R1320860	COVER, LED ASSY RH			1				
21	R3220339	COVER CLUTCH LEVER				1	1	1	

Fig No. 19

HEAD LAMP ASSEMBLY (NEO)

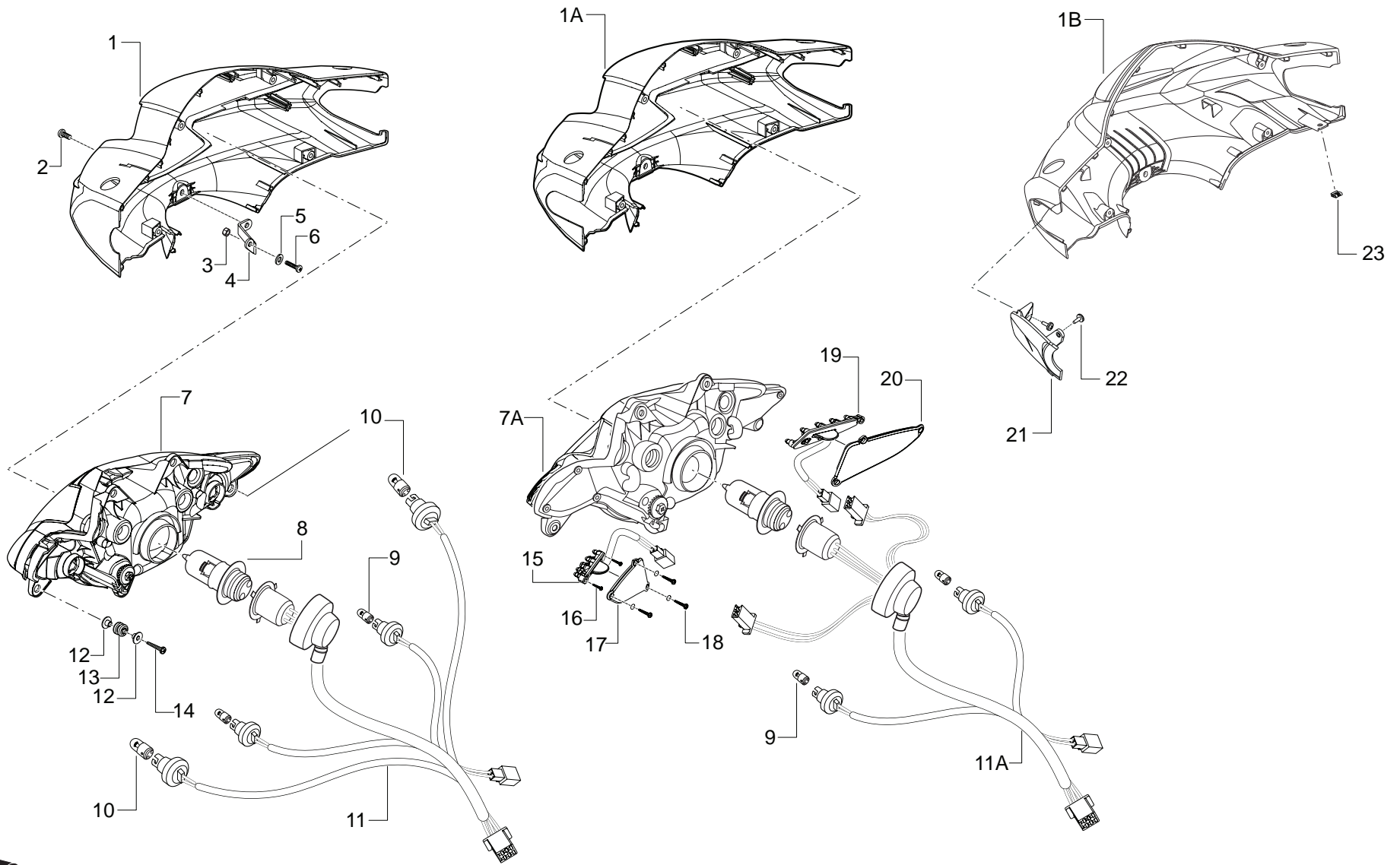
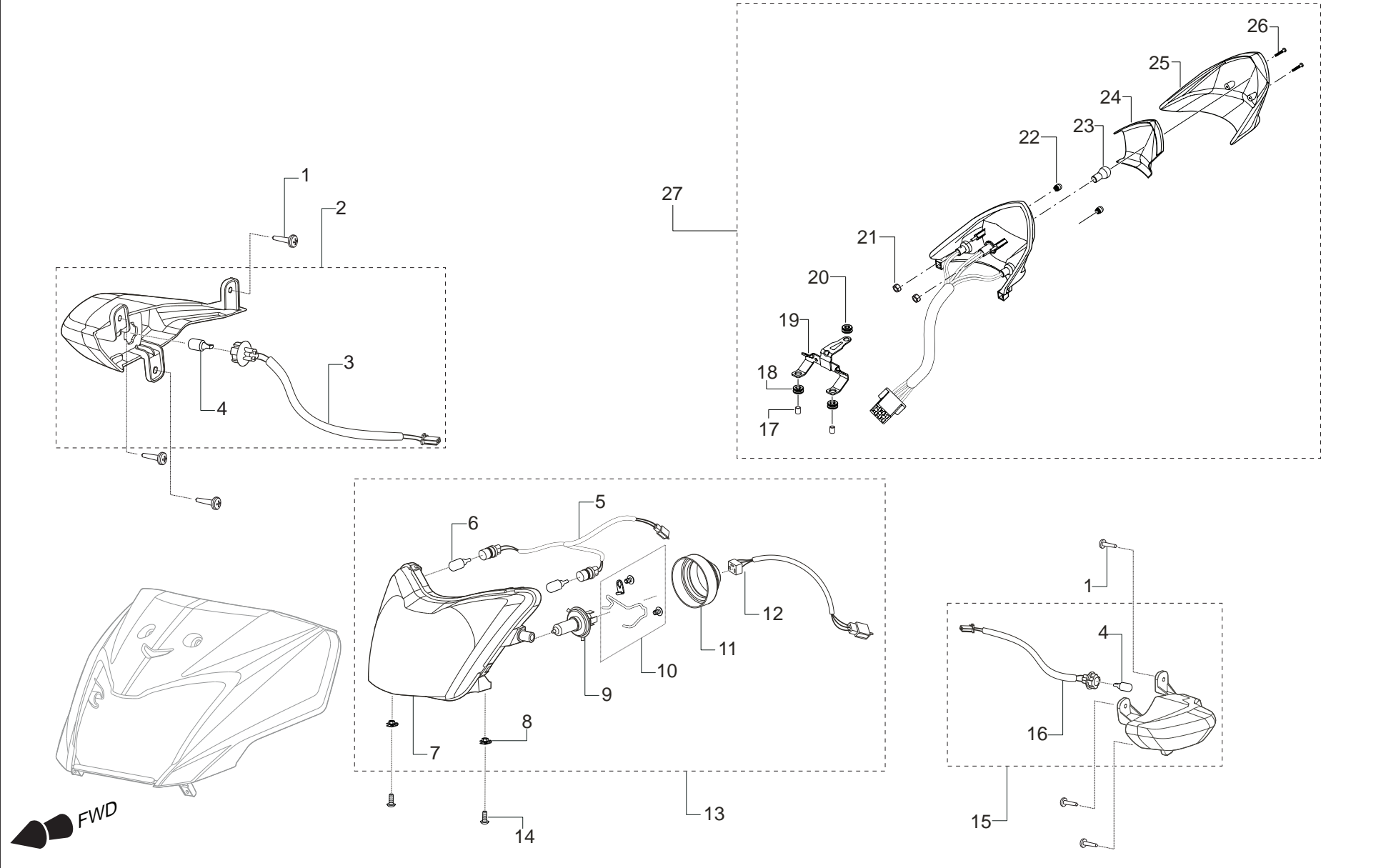


Fig No. 20

HEAD LAMP ASSEMBLY (NEO X3i) & TAIL LAMP ASSEMBLY



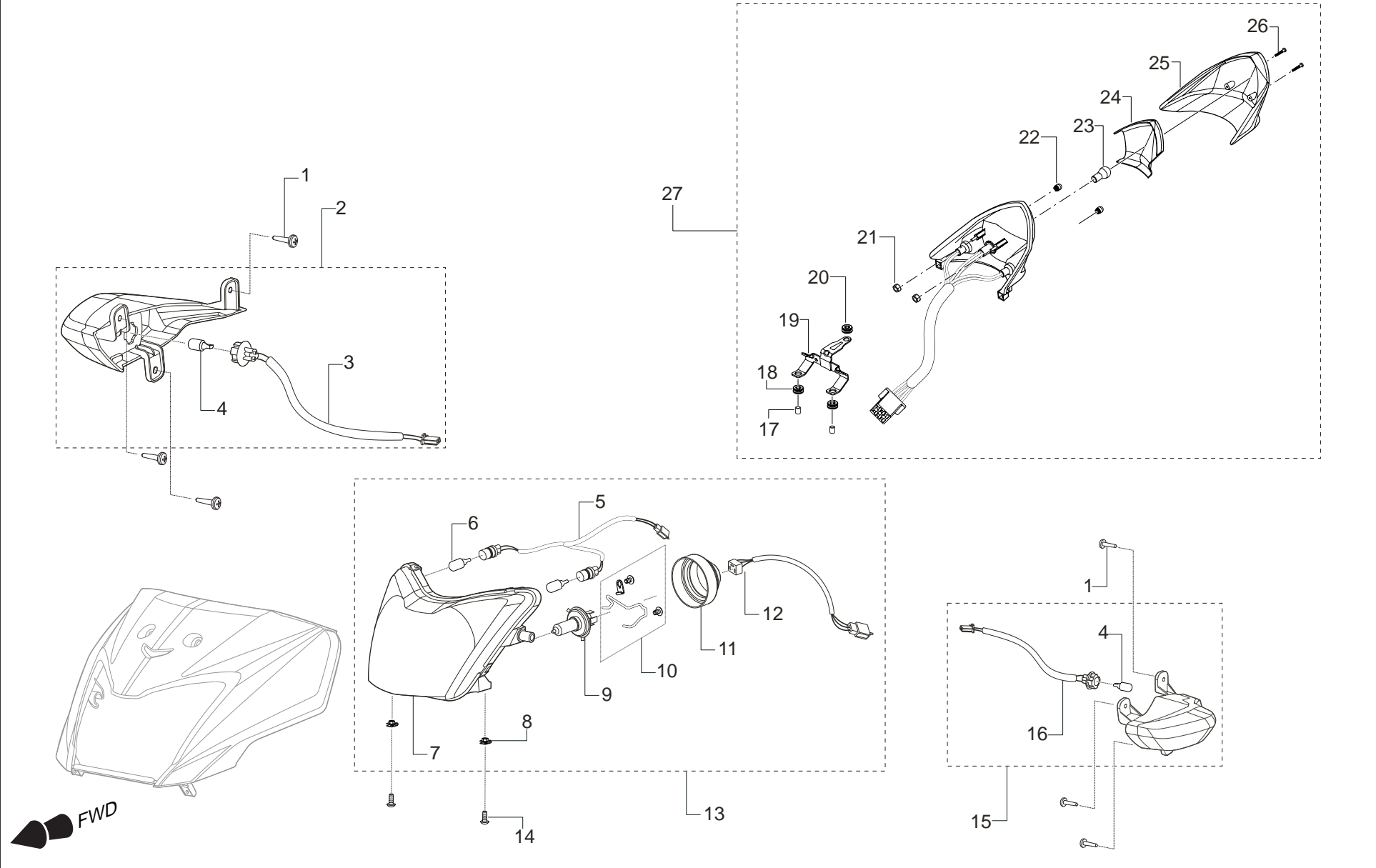
HEAD LAMP ASSEMBLY (NEO X3i) & TAIL LAMP ASSEMBLY

Fig No. 20

REF. NO.	PART NO.	DESCRIPTION	QUANTITY						REMARKS
			NEO			NEO X3i			
			SW-DRUM	SW-DISC	CW	SW-DRUM	SW-DISC	CW	
1	K200320	CRR PAN HEAD TAP SCREW ST 4.2X16				6	6	6	
2	R1221050	TURN SIGNAL LAMP FRONT R				1	1	1	
3	R1160770	CORD SET TURN SIGNAL LAMP FRONT R				1	1	1	
4	N4160210	BULB TURN SIGNAL LAMP ASSY 12V 16W				2	2	2	
5	R1160840	CORD SET POSITION LAMP				1	1	1	
6	R1160720	BULB POSITION LAMP CAP LESS 12V 1.7W				2	2	2	
7	R1321940	HEADLAMP W/O BULB & CORD SET				1	1	1	
8	R1321950	CLIP NUT				2	2	2	
9	M7160190	BULB HEADLAMP HS1 12V 35/35W				1	1	1	
10	R1321970	KIT SPRING HEADLAMP				1	1	1	
11	R1321960	BOOT HEAD LAMP HOLDER				1	1	1	
12	R1160750	CORD SET HEADLAMP				1	1	1	
13	R1221030	HEAD LAMP ASSY				1	1	1	
14	M1200660	CRPH SCR M5x16 ZNG				2	2	2	
15	R1160760	CORD SET TURN SIGNAL LAMP FRONT L				1	1	1	
16	R1221040	TURN SIGNAL LAMP FRONT L				1	1	1	
17	R1220670	BUSH BRACKET COMP TAIL LAMP	2	2	2	2	2	2	
18	N3120130	GROMMET HEADLAMP	2	2	2	2	2	2	
19	R1220220	BRACKET COMP TAIL LAMP	1	1	1	1	1	1	
20	N8220180	GROMMET TAIL COVER	1	1	1	1	1	1	
21	420305700	HEX NUT M6	2	2	2	2	2	2	
22	R1160170	BULB TURN SIGNAL	2	2	2	2	2	2	
23	R1160150	BULB RC LAMP 12V 18/5W	1	1	1	1	1	1	
24	R1160510	LENS INNER, REAR COMBINATION	1	1	1	1	1	1	
25	R1160500	LENS OUTER, REAR COMBINATION	1	1	1	1	1	1	

Fig No. 20

HEAD LAMP ASSEMBLY (NEO X3i) & TAIL LAMP ASSEMBLY



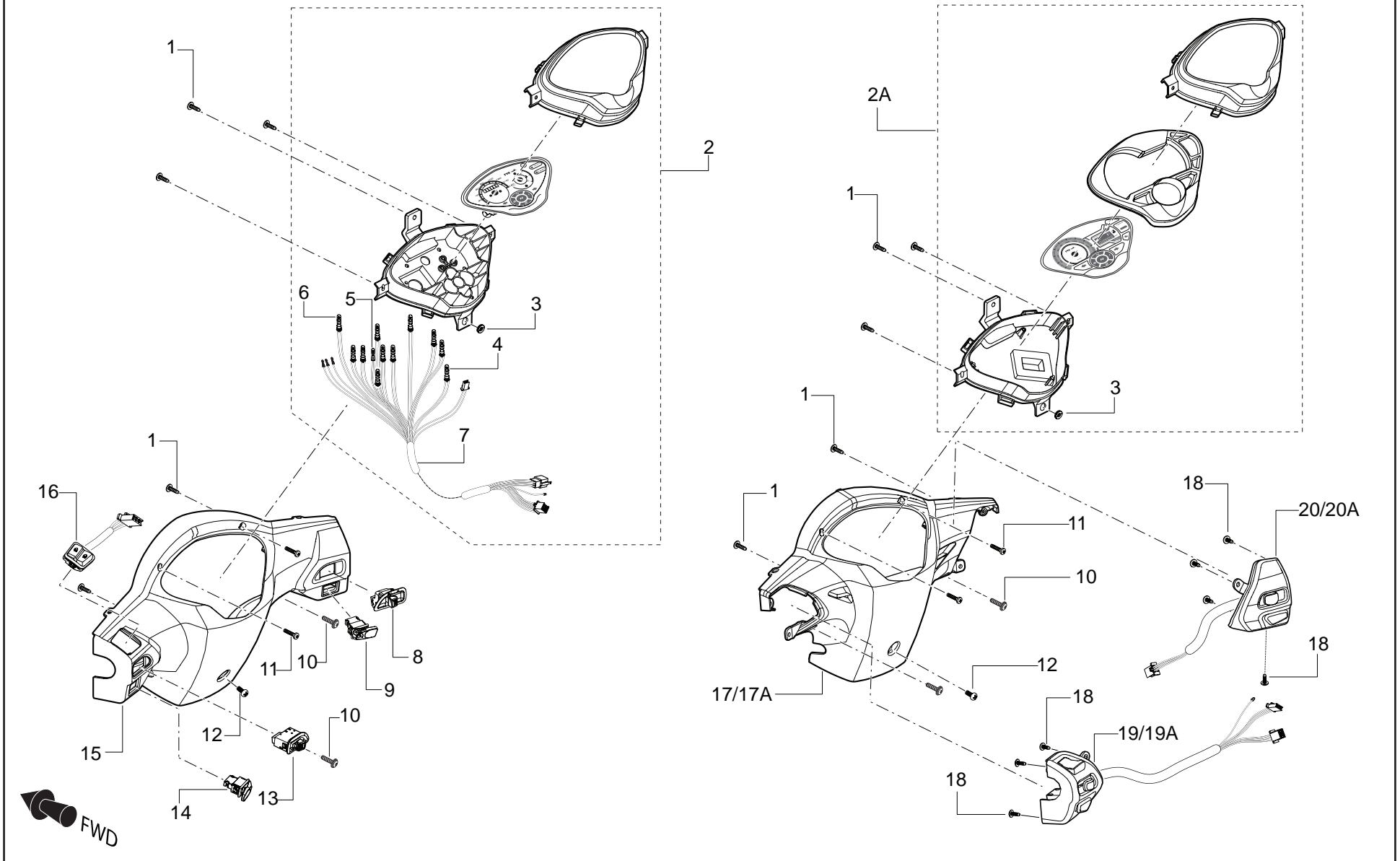
HEAD LAMP ASSEMBLY (NEO X3i) & TAIL LAMP ASSEMBLY

Fig No. 20

REF. NO.	PART NO.	DESCRIPTION	QUANTITY						REMARKS
			NEO			NEO X3i			
			SW-DRUM	SW-DISC	CW	SW-DRUM	SW-DISC	CW	
26	R1320870	PAN HEAD TAPPING SCREW, LENS ASSY	2	2	2	2	2	2	
27	R1160110	LAMP ASSY REAR COMBINATION	1	1	1	1	1	1	

Fig No. 21

SPEEDOMETER ASSEMBLY



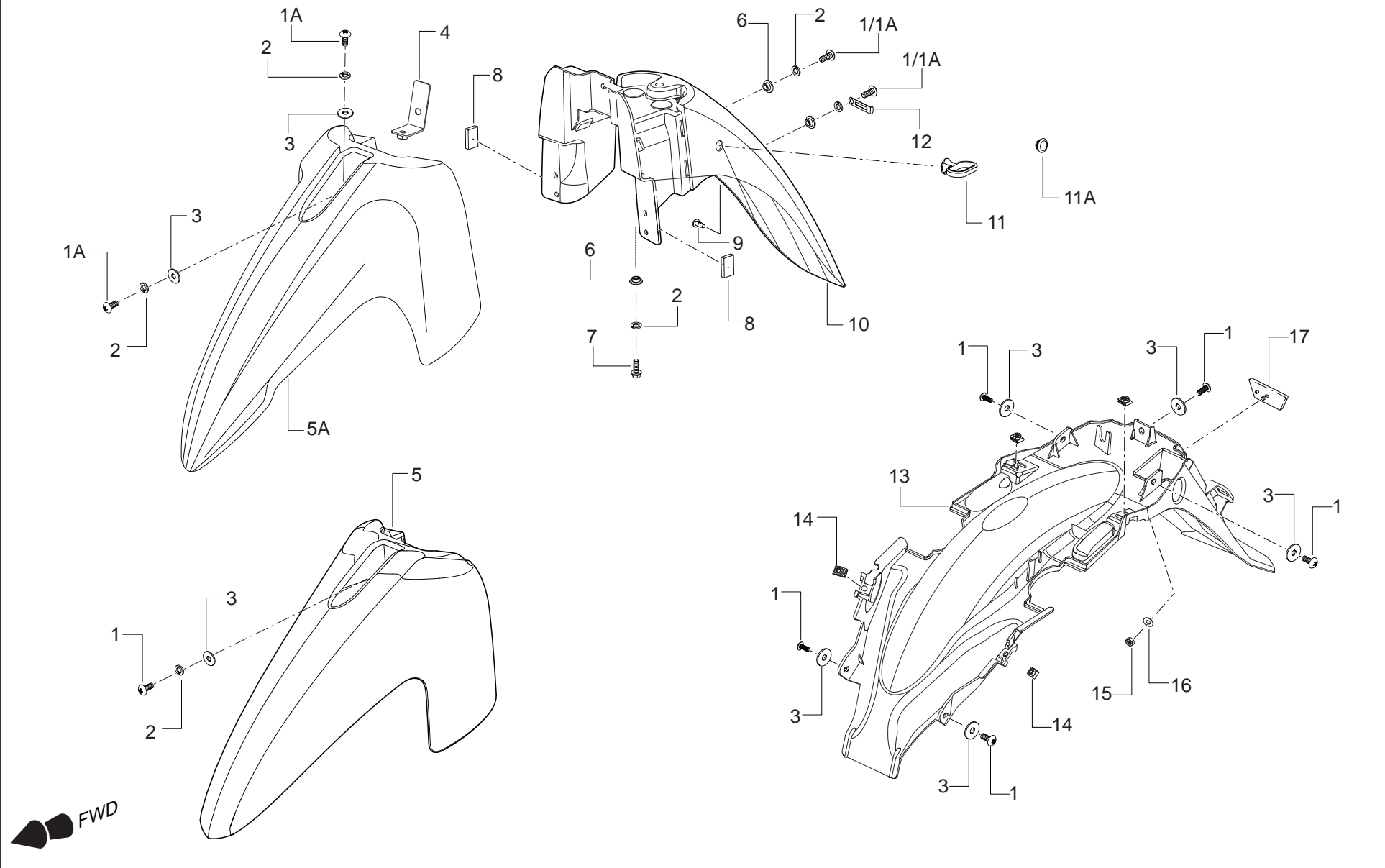
SPEEDOMETER ASSEMBLY

Fig No. 21

REF. NO.	PART NO.	DESCRIPTION	QUANTITY						REMARKS
			NEO			NEO X3i			
			SW-DRUM	SW-DISC	CW	SW-DRUM	SW-DISC	CW	
1	K200320	CRR PAN HD TAP SCR ST4.2x16	5	5	5	5	5	5	
2	R1220030	SPEEDOMETER ASSY	1	1		1	1	1	
2A	R1220430	SPEEDOMETER ASSY (DIGITAL)			1				
3	R1320290	GROMMET	1	1	1	1	1	1	
4	R1320740	BULB 1.7 W (T10)	9	9		9	9	9	
5	R1320750	BULB 1.7 W (T6.5)	1	1		1	1	1	
6	R1320730	BULB 3.4 W (T10)	2	2		2	2	2	
7	R1320720	ASSY WIRING HARNESS	1	1		1	1	1	
8	R1160190	SWITCH LIGHTING	1						
9	R1160200	SWITCH ELECTRIC STARTER	1						
10	R1200450	CRR FLANGED PAN HD SCREW M4x16	2	2	2	2	2	2	
11	R1200280	CRR PAN HEAD SCREW M4x20	2	2	2	2	2	2	
12	M1200660	CRR PAN HEAD SCREW M5x16	1	1	1	1	1	1	
13	R1160210	SWITCH TSL	1						
14	R1160230	SWITCH HORN	1						
15	→	COVER HANDLE REAR	1						REF. PAGE 105
16	R1160220	SWITCH BEAM CONTROL	1						
17	→	COVER HANDLE REAR		1	1				REF. PAGE 105
17A	R3220020	COVER HANDLE REAR				1	1	1	
18	K5200010	CRR PAN HD TAP SCR ST4.2x9.5 ZNK		7	7	7	7	7	
19	R1160290	SWITCH ASSY LH		1	1				
19A	R1160350	SWITCH ASSY LH				1	1	1	
20	R1160300	SWITCH ASSY RH		1	1				
20A	R1160360	SWITCH ASSY RH				1	1	1	

Fig No. 22

FRONT & REAR FENDER ASSEMBLY



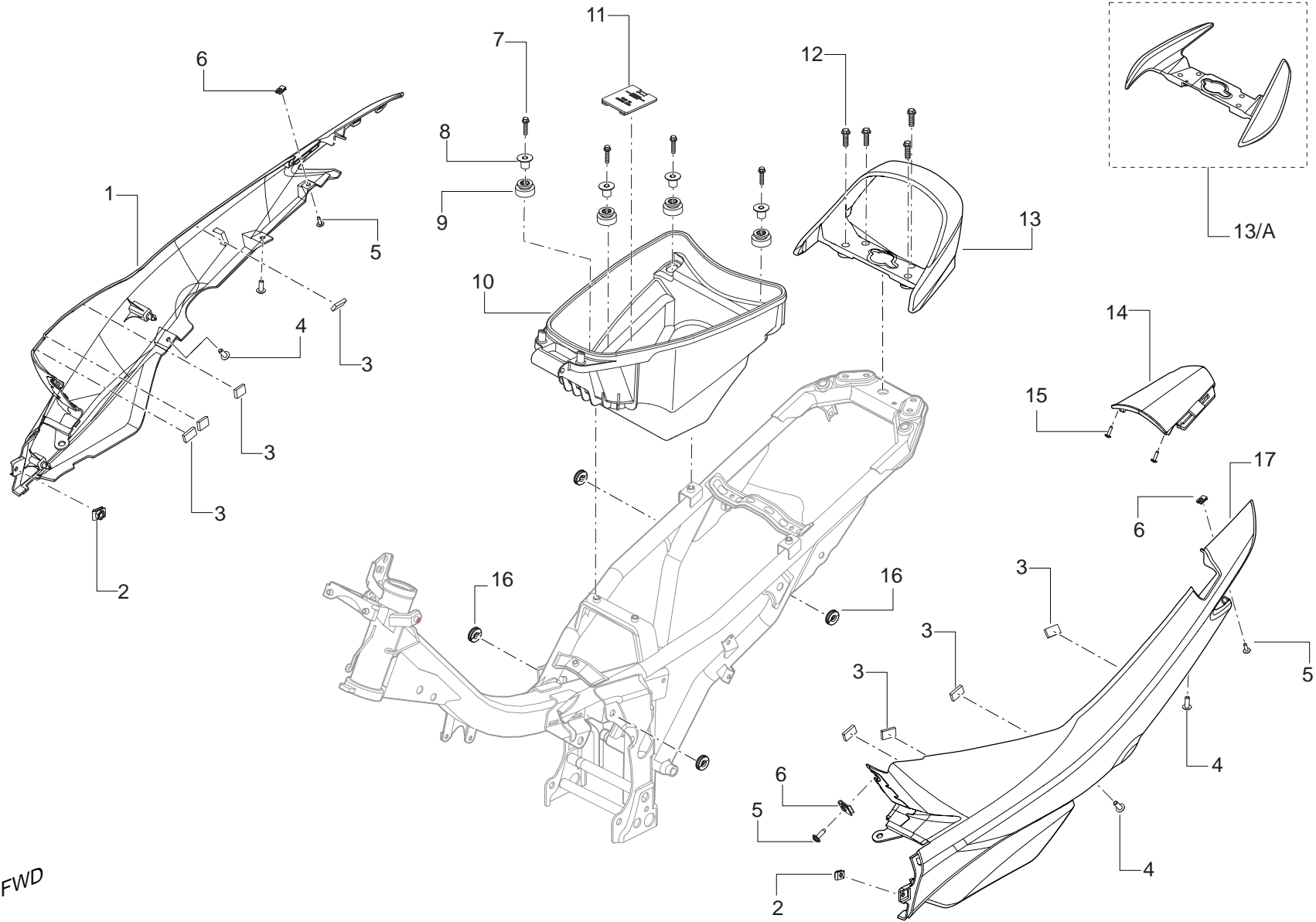
FRONT & REAR FENDER ASSEMBLY

Fig No. 22

REF. NO.	PART NO.	DESCRIPTION	QUANTITY						REMARKS
			NEO			NEO X3i			
			SW-DRUM	SW-DISC	CW	SW-DRUM	SW-DISC	CW	
1	0332275	CRR PAN HD SCREW M6x16	8	8	8	5	5	5	
1A	N5200440	HEX SCREW M6X20 4.6 ZNG				4	4	4	
2	420051000	SPRING WASHER B7	4	4	4	5	5	5	
3	0335618	PUNCHED WASHER 6.5x20.0x1.6 ZNB	6	6	6	7	7	7	
4	R3220490	BRKT FENDER COMP UPPER				1	1	1	
5	→	FENDER FRONT UPPER	1	1	1				REF. PAGE 105
5A	→	FENDER FRONT UPPER				1	1	1	REF. PAGE 105
6	R1200260	CUP WASHER	3	3	3	3	3	3	
7	N3200220	HEX FLANGE BOLT M6x16	1	1	1	1	1	1	
8	R1220360	CUSHION COVER FRAME	2	2	2	2	2	2	
9	N3100230	CLIP	1	1		1	1	1	
10	R1220020	FENDER FRONT LOWER	1	1	1	1	1	1	
11	R1100470	GUIDE CABLE	1	1		1	1	1	
11A	U2100190	CAP FENDER FRONT			1				
12	S1125320	CLAMP HOSE			1				
13	R1220040	FENDER REAR	1	1	1	1	1	1	
14	S1200700	RETAINER CLIP COMP PANEL	4	4	4	4	4	4	
15	420302700	HEX NUT M5	1	1	1	1	1	1	
16	0335558	PUNCHED WASHER 5.5x12x1.0	5	5	5	5	5	5	
17	R1220540	REFLEX REFLECTOR ASSY	1	1	1	1	1	1	

Fig No. 23

COVER FRAME ASSEMBLY



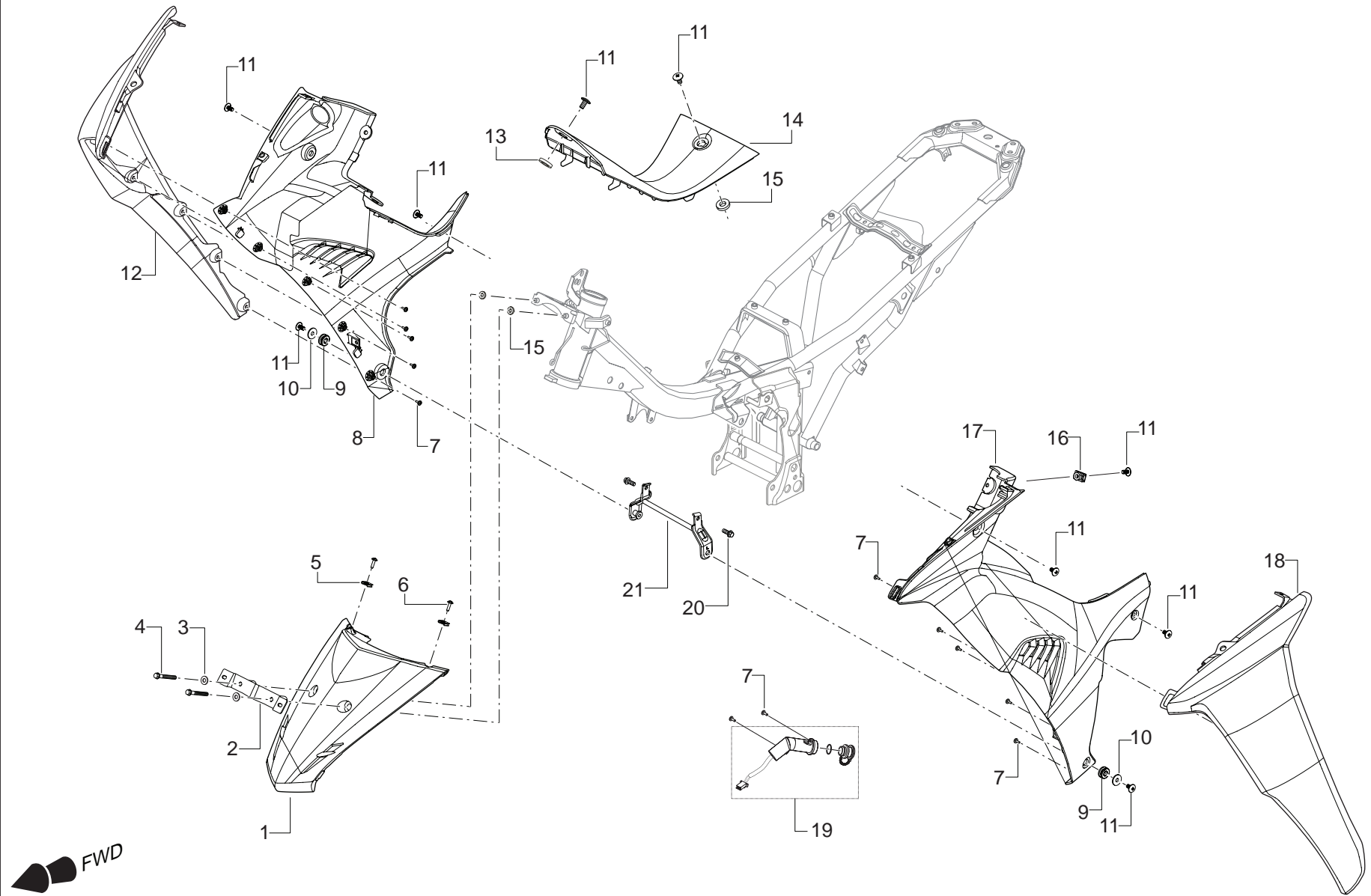
COVER FRAME ASSEMBLY

Fig No. 23

REF. NO.	PART NO.	DESCRIPTION	QUANTITY						REMARKS
			NEO			NEO X3i			
			SW-DRUM	SW-DISC	CW	SW-DRUM	SW-DISC	CW	
1	→	COVER FRAME R	1	1	1	1	1	1	REF. PAGE 105
2	S1200700	RETAINER CLIP COMP PANEL	2	2	2	2	2	2	
3	R1220360	CUSHION COVER FRAME	8	8	8	8	8	8	
4	0332275	CRR PAN HD SCREW M6x16	4	4	4	4	4	4	
5	M1201000	CRR FLANGED PAN HD TAPPING SCREW	3	3	3	3	3	3	
6	7130020	RETAINER CLIP PANEL	3	3	3	3	3	3	
7	N2200500	HEX FLANGE BOLT M6x25	4	4	4	4	4	4	
8	R1121320	CUP WASHER UTILITY BOX	4	4	4	4	4	4	
9	R1121310	CUSHION UTILITY BOX	4	4	4	4	4	4	
10	R1122360	UTILITY BOX	1	1	1	1	1	1	
11	R1121330	LID UTILITY BOX	1	1	1	1	1	1	
12	M7110280	HEX FL BOLT M8x30	4	4	4	4	4	4	
13	R1220420	PILLION HANDLE	1	1	1				
13A	R12212005D	PILLION HANDLE				1	1	1	
14	→	COVER TAIL CENTER	1	1	1	1	1	1	REF. PAGE 105
15	K200320	CRR PAN HD TAP SCR ST4.2x16	2	2	2	2	2	2	
16	N3130100	CUSHION FRAME COVER	4	4	4	4	4	4	
17	→	COVER FRAME L	1	1	1	1	1	1	REF. PAGE 105

Fig No. 24

STYLE PARTS (NEO)



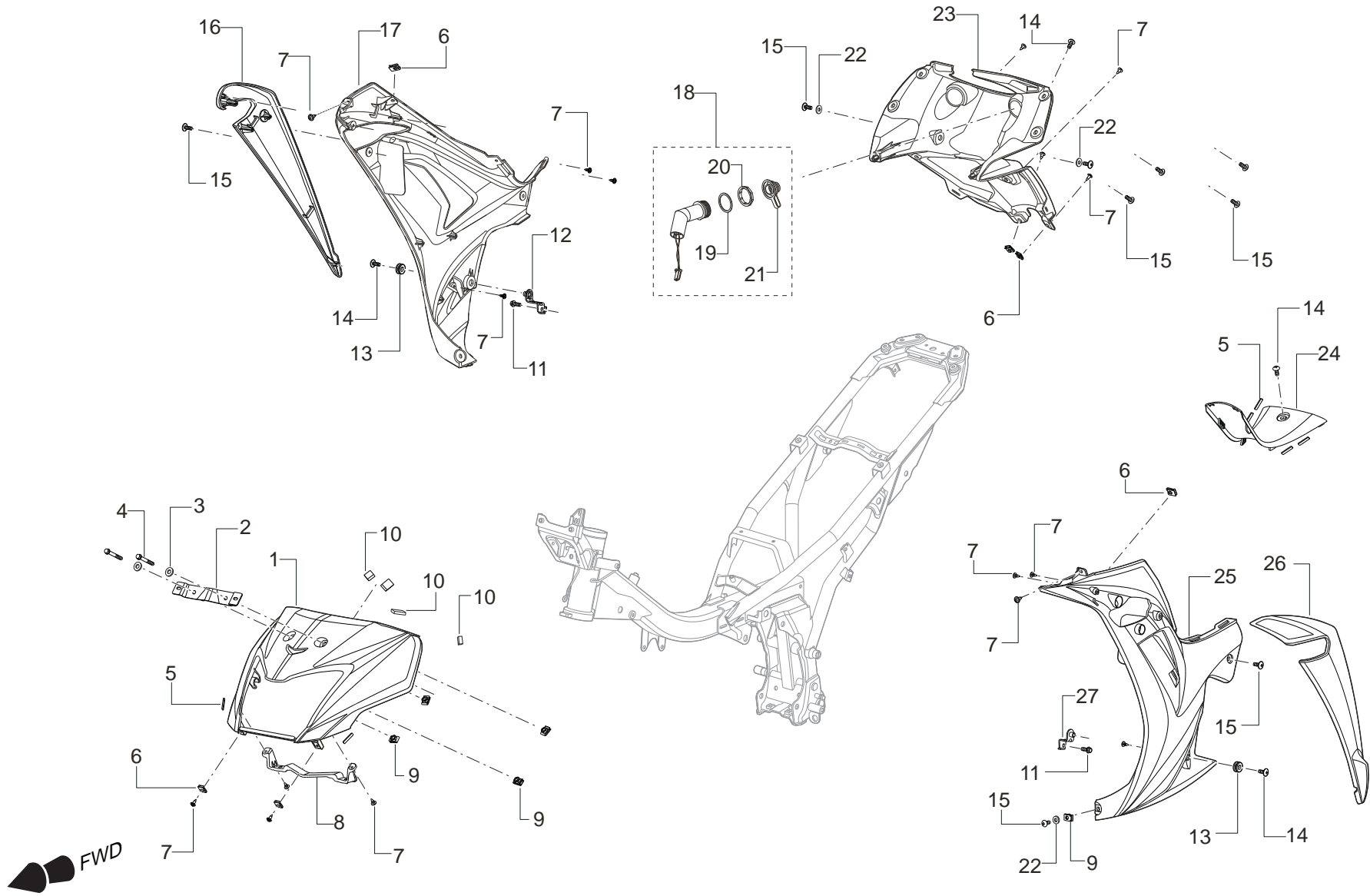
STYLE PARTS (NEO)

Fig No. 24

REF. NO.	PART NO.	DESCRIPTION	QUANTITY						REMARKS
			NEO			NEO X3i			
			SW-DRUM	SW-DISC	CW	SW-DRUM	SW-DISC	CW	
1	→	COVER FRAME HEAD	1	1	1				REF. PAGE 105
2	R1220590	BRACKET LICENCE PLATE	1	1	1				
3	G5200300	PUNCHED WASHER 6.5x16x1.2	2	2	2				
4	N2200450	HEX FLANGE BOLT M6X50	2	2	2				
5	7130020	RETAINER CLIP PANEL	2	2	2				
6	K200320	CRR PAN HEAD TAP SCREW ST 4.2X16	2	2	2				
7	K5200010	CRR PAN HD TAP SCR ST 4.2x9.5 ZNK	12	12	12				
8	→	COVER MAIN PIPE R	1	1	1				REF. PAGE 105
9	N3120130	GROMMET HEAD LAMP	2	2	2				
10	0335618	PUNCHED WASHER 6.5x20x1.6	2	2	2				
11	R1200220	SPL SCREW PAN HEAD SCREW M6x12	9	9	9				
12	→	LEG SHIELD R	1	1	1				REF. PAGE 105
13	R1122350	CUSHION 12x21x2	1	1	1				
14	R1220120	COVER MAIN PIPE CENTER	1	1	1				
15	R1122340	CUSHION 9x20x2	3	3	3				
16	S1200700	RETAINER CLIP COMP PANEL	1	1	1				
17	→	COVER MAIN PIPE L	1	1	1				REF. PAGE 105
18	→	LEG SHIELD L	1	1	1				REF. PAGE 105
19	R1160280	SOCKET MOBILE CHARGER	1	1	1				
20	N3200220	HEX FL BOLT M6x16 ZNG	2	2	2				
21	R1220380	BRKT COMP COVER MAIN PIPE	1	1	1				

Fig No.25

STYLE PARTS (NEO X3i)



STYLE PARTS (NEO X3i)

Fig No. 25

REF. NO.	PART NO.	DESCRIPTION	QUANTITY						REMARKS
			NEO			NEO X3i			
			SW-DRUM	SW-DISC	CW	SW-DRUM	SW-DISC	CW	
1	→	COVER FRAME HEAD				1	1	1	REF. PAGE 105
2	R1220590	BRACKET LICENCE PLATE				1	1	1	
3	G5200300	PUNCHED WASHER 6.5x16x1.2				2	2	2	
4	N2200450	HEX FLANGE BOLT M6X50				2	2	2	
5	R3220650	CUSHION RC LAMP				6	6	6	
6	7130020	RETAINER CLIP PANEL				6	6	6	
7	N3200340	CRR PAN HEAD TAP SCREW ST 4.2X13				16	16	16	
8	R1221020	BRKT HSG HEADLAMP				1	1	1	
9	S1200700	RETAINER CLIP COMP PANEL				5	5	5	
10	R1220770	CUSHION HEAD LAMP				4	4	4	
11	N3200220	HEX FL BOLT M6x16 ZNG				2	2	2	
12	R1221190	BRKT LEG SHIELD MTG R				1	1	1	
13	N3120130	GROMMET HEAD LAMP				2	2	2	
14	R1200390	SPL CRR PAN HEAD SCREW M6X16				4	4	4	
15	0332275	CRR PAN HD SCREW M6x16				9	9	9	
16	→	LEG SHIELD R				1	1	1	REF. PAGE 105
17	→	COVER MAIN PIPE R				1	1	1	REF. PAGE 105
18	R2160260	SOCKET ASSY MOBILE CHARGER				1	1	1	
19	R3320470	WASHER SOCKET MOBILE CHARGER				1	1	1	
20	R3320460	NUT SOCKET MOBILE CHARGER				1	1	1	
21	R3320450	CAP SOCKET MOBILE CHARGER				1	1	1	
22	P1200100	PUNCHED WASHER 6.4x18x1.5				3	3	3	
23	R1220910	COVER MAIN PIPE CENTER FRONT				1	1	1	
24	R1220900	COVER MAIN PIPE CENTER				1	1	1	
25	→	LEG SHIELD L				1	1	1	REF. PAGE 105

Fig No.25

STYLE PARTS (NEO X3i)

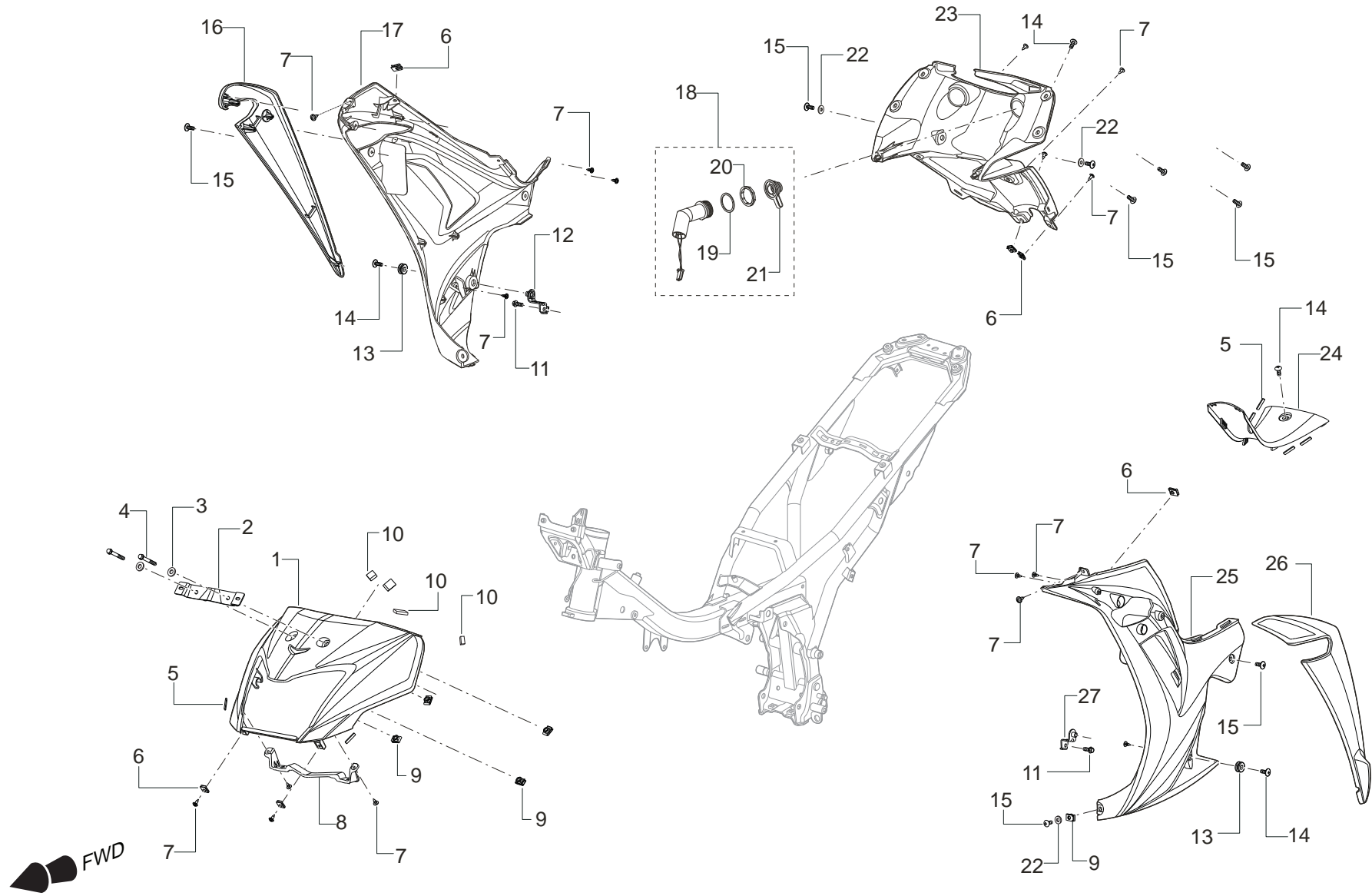
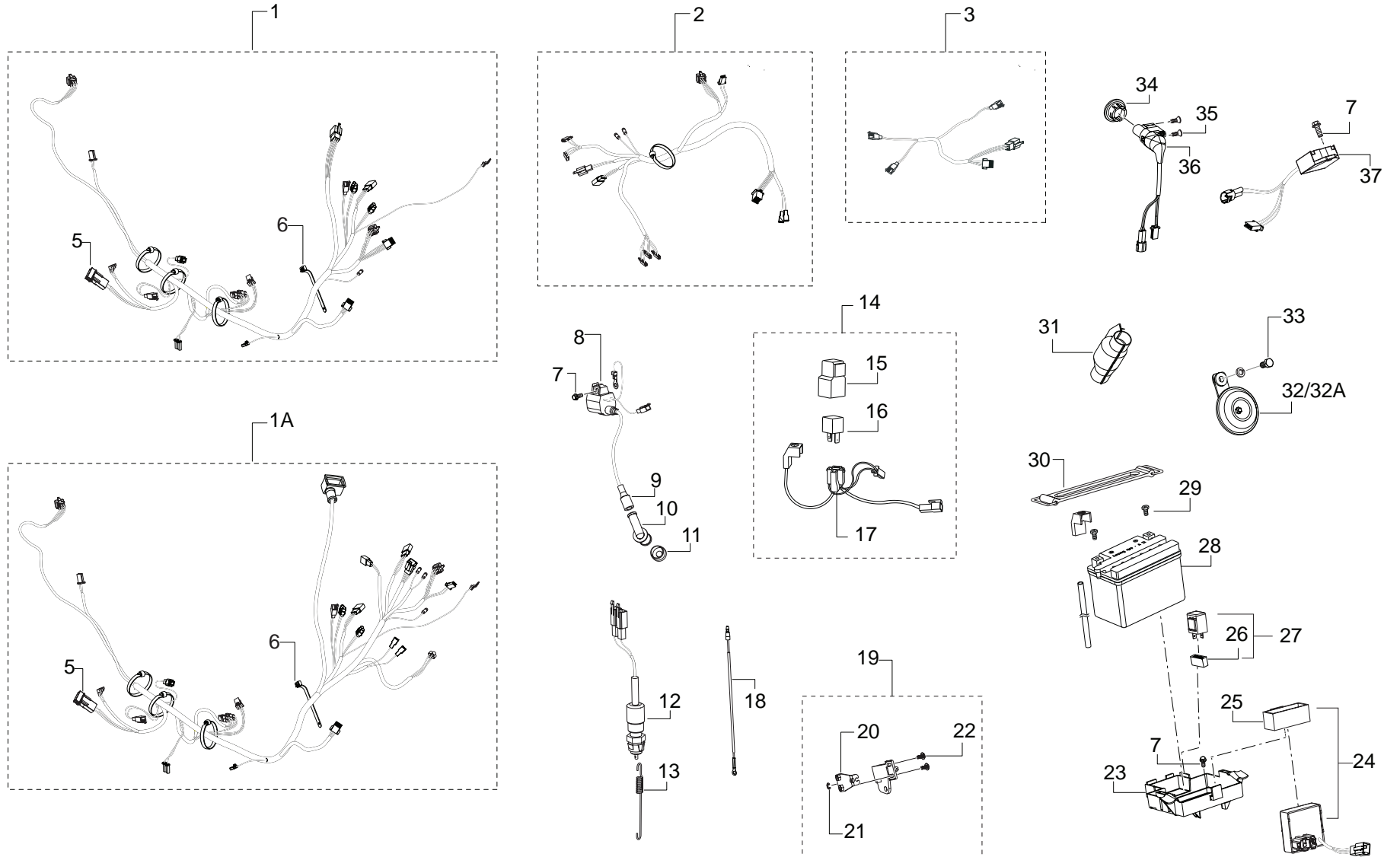


Fig No. 26

ELECTRICAL



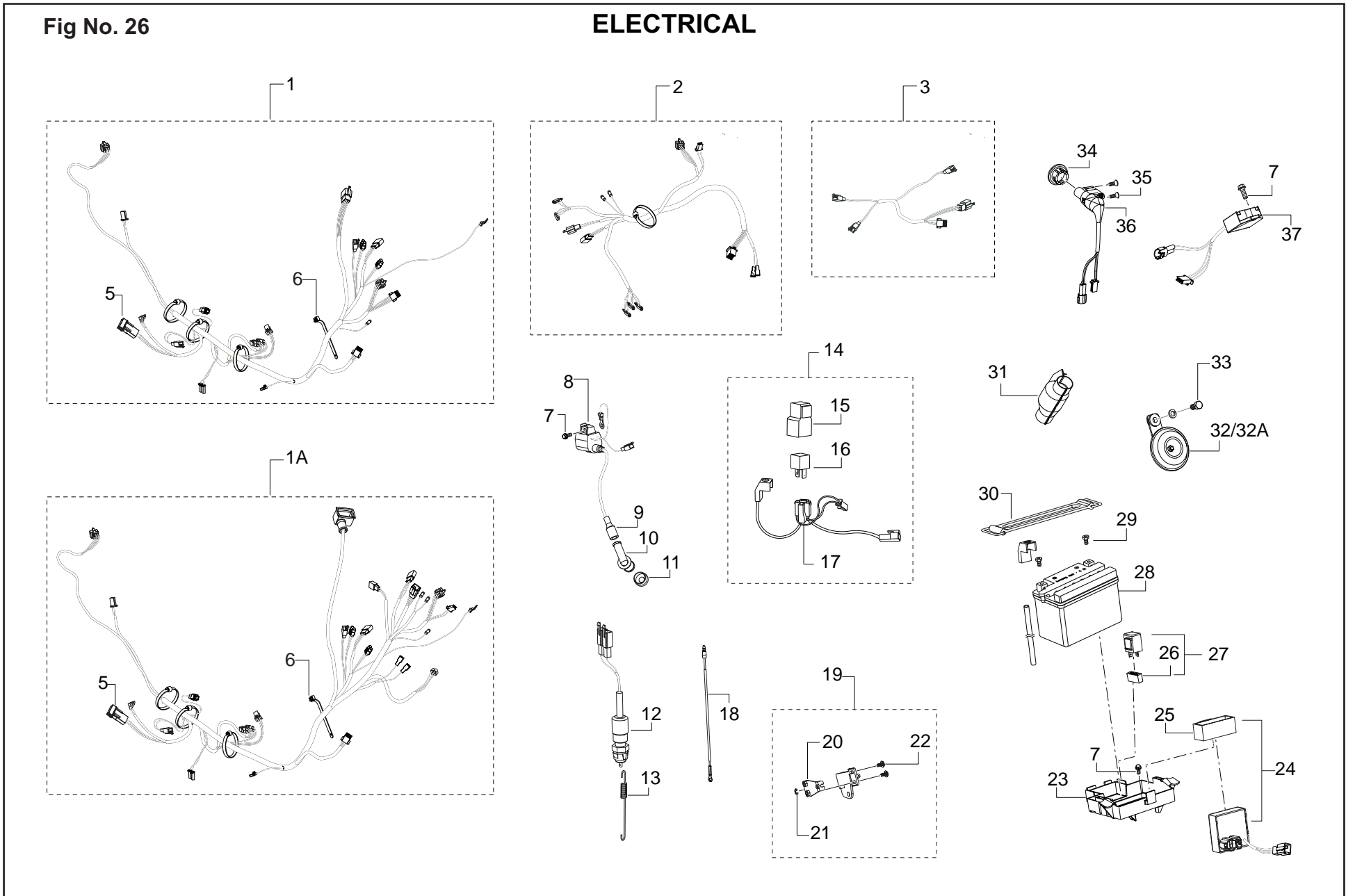
ELECTRICAL

Fig No. 26

REF. NO.	PART NO.	DESCRIPTION	QUANTITY						REMARKS
			NEO			NEO X3i			
			SW-DRUM	SW-DISC	CW	SW-DRUM	SW-DISC	CW	
1	R1160450	WIRING HARNESS SMART	1	1		1	1	1	
1A	R1160310	WIRING HARNESS			1				
2	R1160060	CORD SET SWITCHES	1	1					
3	R1160870	CORD SET SPEEDOMETER				1	1	1	
5	R1321390	FUSE 10A	1	1	1	1	1	1	
6	N3160340	CLAMP WIRING HARNESS (BIG SIZE)	1	1	1	1	1	1	
7	N3200220	HEX FLANGE BOLT M6x16	2	2	2	2	2	2	
8	R1060020	IGNITION COIL	1	1	1	1	1	1	
9	R1060200	SEAL HT CORD	1	1	1	1	1	1	
10	N8060170	SUPPRESSOR CAP ASSY	1	1	1	1	1	1	
11	S1060310	SEAL SPARK PLUG	1	1	1	1	1	1	
12	R1160430	SWITCH ASSY STOP LAMP	1	1	1	1	1	1	
13	R1110980	SPRING STOP LAMP SWITCH	1	1	1	1	1	1	
14	R3160140	STARTER RELAY ASSY	1	1	1	1	1	1	
15	R3160090	BOOT STARTER RELAY	1	1	1	1	1	1	
16	R2160100	STARTER RELAY	1	1	1	1	1	1	
17	R1160680	CORD SET STARTER RELAY	1	1	1	1	1	1	
18	R1160260	SENSOR LEAD WIRE	1	1	1	1	1	1	
19	R1160370	THROTTLE SWITCH ASSY	1	1	1	1	1	1	
20	R1321690	BRACKET THROTTLE SWITCH	1	1	1	1	1	1	
21	8200320	CIRCLIP 5.0	1	1	1	1	1	1	
22	8200120	CRR FL PAN HEAD SCREW M5X11	2	2	2	2	2	2	
23	R1121480	BATTERY HOLDER	1	1	1	1	1	1	
24	R1060180	AC CDI	1	1	1	1	1	1	
25	R1321360	BOOT CDI	1	1	1	1	1	1	

Fig No. 26

ELECTRICAL



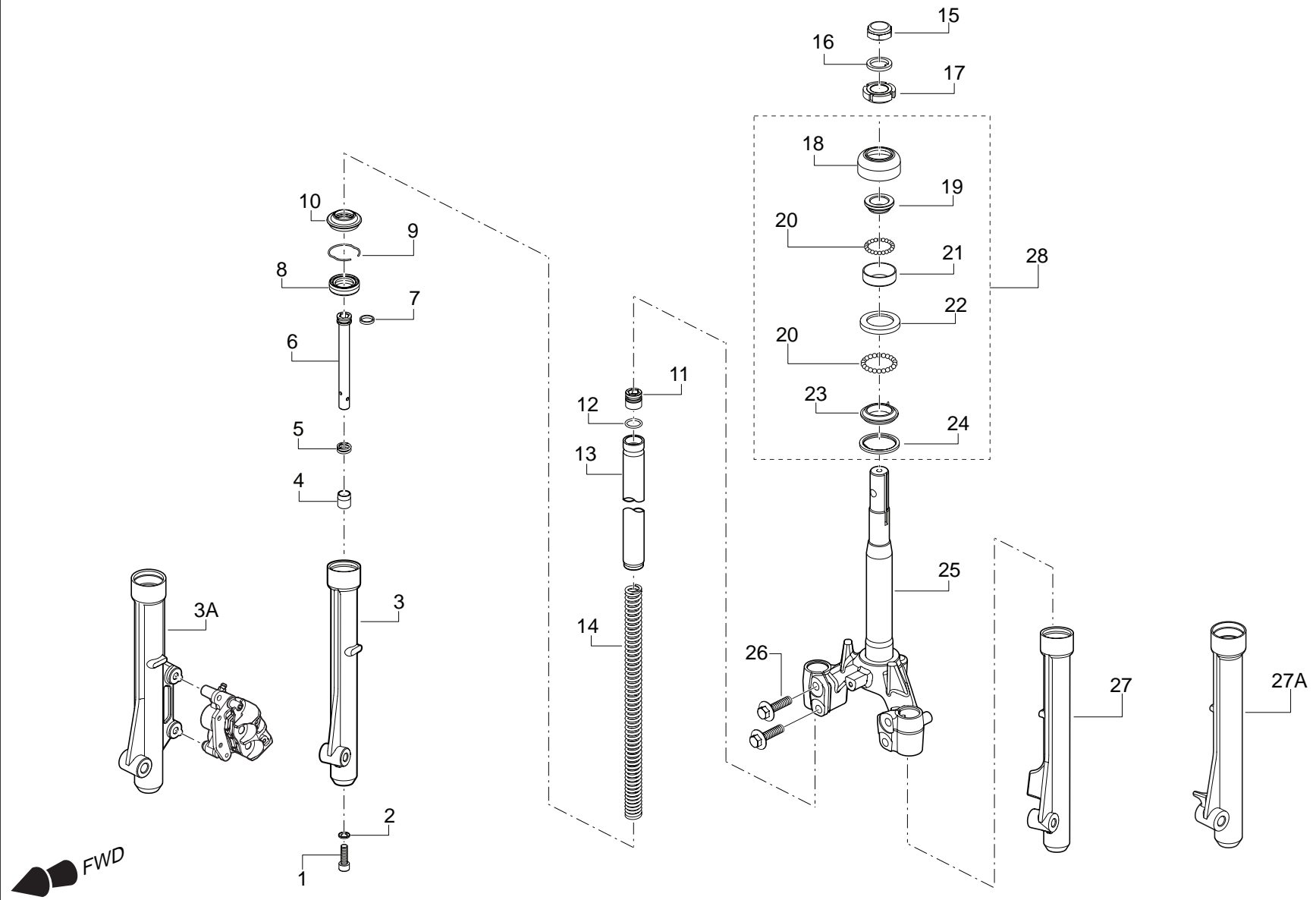
ELECTRICAL

Fig No. 26

REF. NO.	PART NO.	DESCRIPTION	QUANTITY						REMARKS
			NEO			NEO X3i			
			SW-DRUM	SW-DISC	CW	SW-DRUM	SW-DISC	CW	
26	R1321340	BOOT ELECTRONIC FLASHER	1	1	1	1	1	1	
27	N9160380	ELECTRONIC FLASHER	1	1	1	1	1	1	
28	R1160890	BATTERY 12V 4AH (LEAD ACID)	1	1	1	1	1	1	
29	R1321380	SCREW, BATTERY TERMINAL	2	2	2	2	2	2	
30	K211110	BAND BATTERY	1	1	1	1	1	1	
31	R1160440	BOOT WIRING HARNESS	1	1	1	1	1	1	
32	R1160710	HORN ASSY 12V	1	1	1				
32A	R1160880	HORN ASSY 12V				1	1	1	
33	R1200310	HEX FLANGE SCREW M8x20	1	1	1	1	1	1	
34	R1321700	GLOW RING TOP COVER	1	1	1	1	1	1	
35	0332238	CRR CSK HEAD SCREW M6X12 ZNB	2	2	2	2	1	2	
36	R1160080	STEERING CUM IGNITION LOCK	1	1	1	1	1	1	
37	R1060230	REGULATOR DC	1	1	1	1	1	1	
38	R1210030	LOCK SET	1	1	1	1	1	1	

Fig No. 27

FRONT SUSPENSION



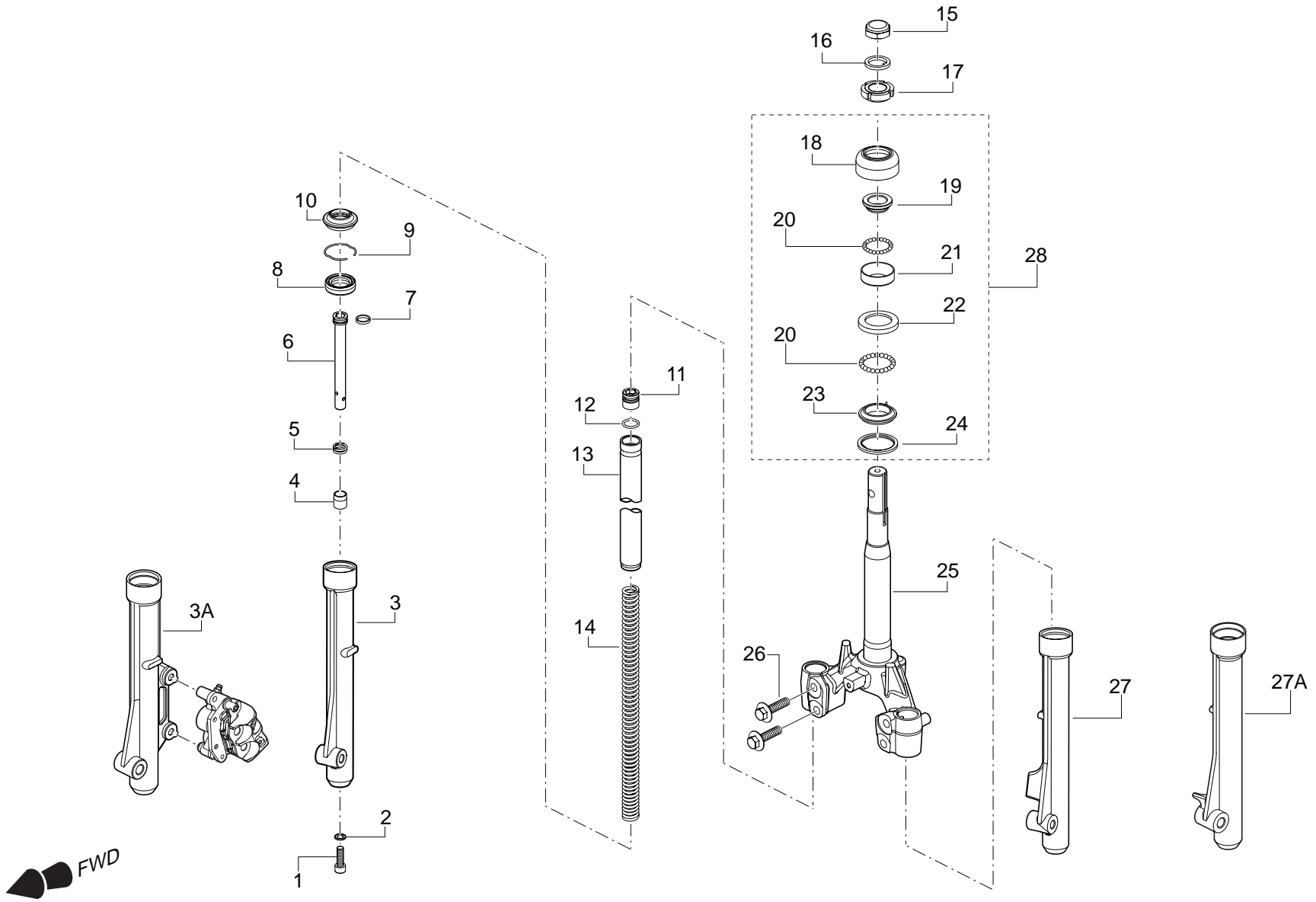
FRONT SUSPENSION

Fig No. 27

REF. NO.	PART NO.	DESCRIPTION	QUANTITY						REMARKS
			NEO			NEO X3i			
			SW-DRUM	SW-DISC	CW	SW-DRUM	SW-DISC	CW	
1	R1100440	BOLT HEX SOC HEAD (M8x1.25)	2	2	2	2	2	2	
2	R1100430	GASKET, BIG	2	2	2	2	2	2	
3	R1100460	OUTER TUBE R (DRUM)	1			1			
3A	R1100310	OUTER TUBE R (DISC)		1	1		1	1	
4	R1100320	SPINDLE TAPER	2	2	2	2	2	2	
5	R1100340	SPRING - 2	2	2	2	2	2	2	
6	R1100330	PISTON	2	2	2	2	2	2	
7	R1100350	PISTON RING	2	2	2	2	2	2	
8	R1100370	OIL SEAL	2	2	2	2	2	2	
9	R1100380	CIRCLIP	2	2	2	2	2	2	
10	R1100390	DUST SEAL	2	2	2	2	2	2	
11	R1100410	BOLT CAP	2	2	2	2	2	2	
12	R1100420	O' RING	2	2	2	2	2	2	
13	R1100360	INNER TUBE ASSY	2	2	2	2	2	2	
14	R1100400	SPRING - 1	2	2	2	2	2	2	
15	410058700	STEERING LOCK NUT	1	1	1	1	1	1	
16	K3100830	WASHER, STEERING STEM	1	1	1	1	1	1	
17	0254088	ARRESTER, STEERING STEM	1	1	1	1	1	1	
18	R1100290	DUST SEAL	1	1	1	1	1	1	
19	S1125290	RACE, STEERING STEM	1	1	1	1	1	1	
20	420404000	3/16 BALLS	51	51	51	51	51	51	
21	S1101150	RACE STEERING OUTER	1	1	1	1	1	1	
22	R1121210	CUP BOTTOM	1	1	1	1	1	1	
23	R1100120	CONE BOTTOM	1	1	1	1	1	1	
24	R1100140	DUST SEAL	1	1	1	1	1	1	

Fig No. 27

FRONT SUSPENSION



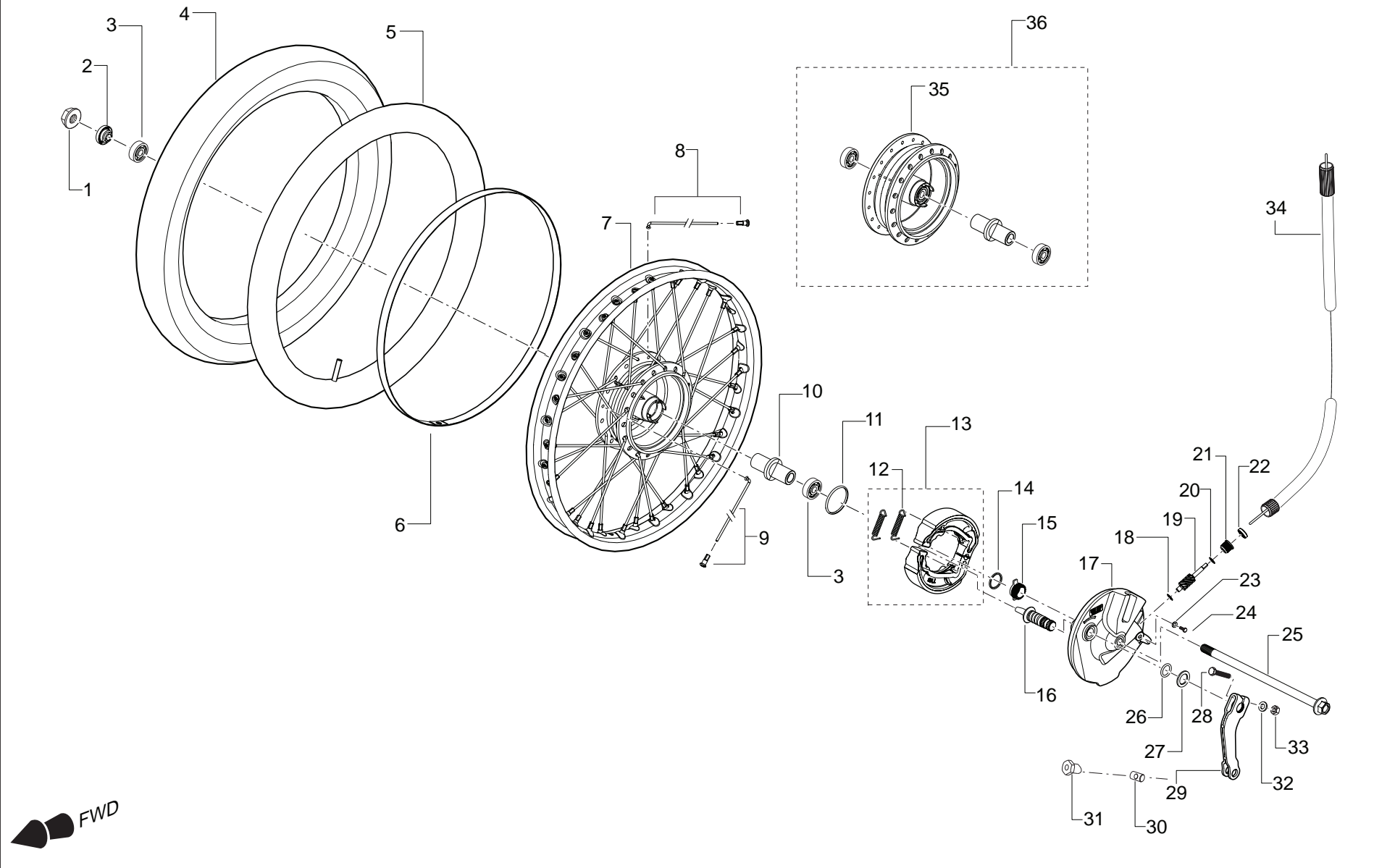
FRONT SUSPENSION

Fig No. 27

REF. NO.	PART NO.	DESCRIPTION	QUANTITY						REMARKS
			NEO			NEO X3i			
			SW-DRUM	SW-DISC	CW	SW-DRUM	SW-DISC	CW	
25	R1100020	LOWER BRKT COMP	1	1	1	1	1	1	
26	R1200160	HEX FL BOLT M10x1.25x40	4	4	4	4	4	4	
27	R1100450	OUTER TUBE L (DRUM)	1			1			
27A	R1100300	OUTER TUBE L (DISC)		1	1		1	1	
28	R1321080	STEERING CONE KIT	1	1	1	1	1	1	
29	R1100190	LEG ASSY L (DRUM)	1			1			
30	R1100200	LEG ASSY R (DRUM)	1			1			
29	R1100060	LEG ASSY L (DISC)		1	1		1	1	
30	R1100180	LEG ASSY R (DISC)		1	1		1	1	

Fig No. 28

FRONT WHEEL ASSEMBLY (DRUM)



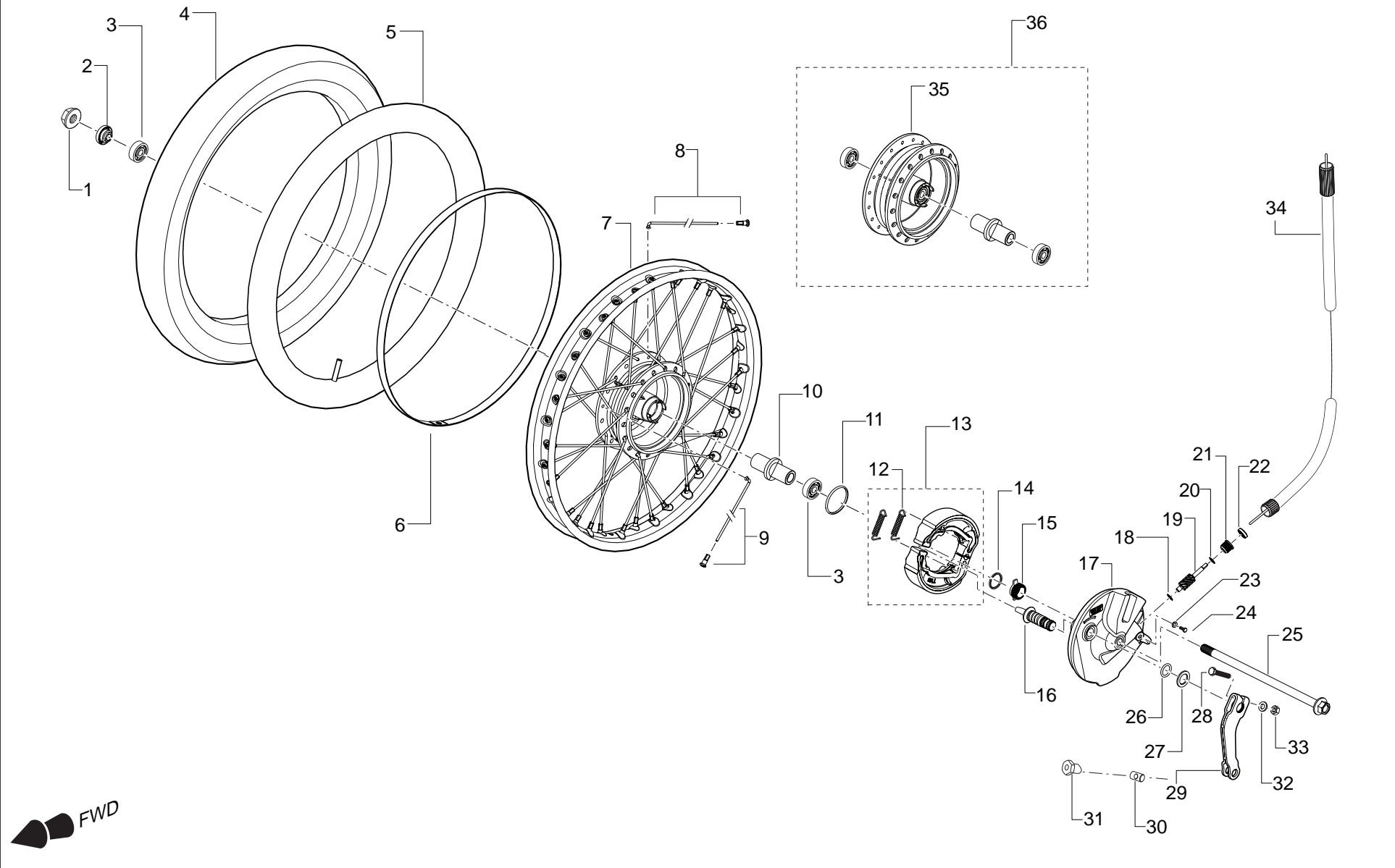
FRONT WHEEL ASSEMBLY (DRUM)

Fig No. 28

REF. NO.	PART NO.	DESCRIPTION	QUANTITY						REMARKS
			NEO			NEO X3i			
			SW-DRUM	SW-DISC	CW	SW-DRUM	SW-DISC	CW	
1	S1200790	HEX FLANGE U NUT M12	1			1			
2	R1110970	SPACER COMP FRONT WHEEL	1			1			
3	N8110550	BALL BEARING	2			2			
4	R1110130	TYRE 2.5"x17"	1			1			
5	R1110740	TUBE 2.5" X 17 "	1			1			
6	R1110680	RIM TAPE	1			1			
7	R1110700	RIM WHEEL 1.4"x17"	1			1			
8	R1321150	SPOKE & NIPPLE SET INNER (18 Each)	1			1			
9	R1321160	SPOKE & NIPPLE SET OUTER (18 Each)	1			1			
10	N5110210	SPACER COMP FRONT HUB	1			1			
11	N8110830	OIL SEAL FRONT BRAKE PANEL	1			1			
12	3230515	SPRING BRAKE SHOE	2			2			
13	3171090	SET BRAKE SHOE 110 DIA	1			1			
14	N5110790	THRUST WASHER	1			1			
15	R1110930	GEAR SPEEDOMETER 20T	1			1			
16	K3110470	CAM BRAKE	1			1			
17	R1111000	PANEL BRAKE FRONT	1			1			
18	N3110120	SHIM 5.7X10X0.4	1			1			
19	R1110940	PINION SPEEDOMETER	1			1			
20	0335078	SHIM 5.1x9x0.4 ZNB	1			1			
21	N8111570	BUSHING, SPEEDOMETER PINION OUTER	1			1			
22	N8200240	OIL SEAL 4.8x15x4.8	1			1			
23	0335558	PUNCHED WASHER 5.5x12.0x1.0 ZNB	1			1			
24	420510700	HEX SCREW M5x16	1			1			
25	R1110960	AXLE DIA 10x208	1			1			

Fig No. 28

FRONT WHEEL ASSEMBLY (DRUM)



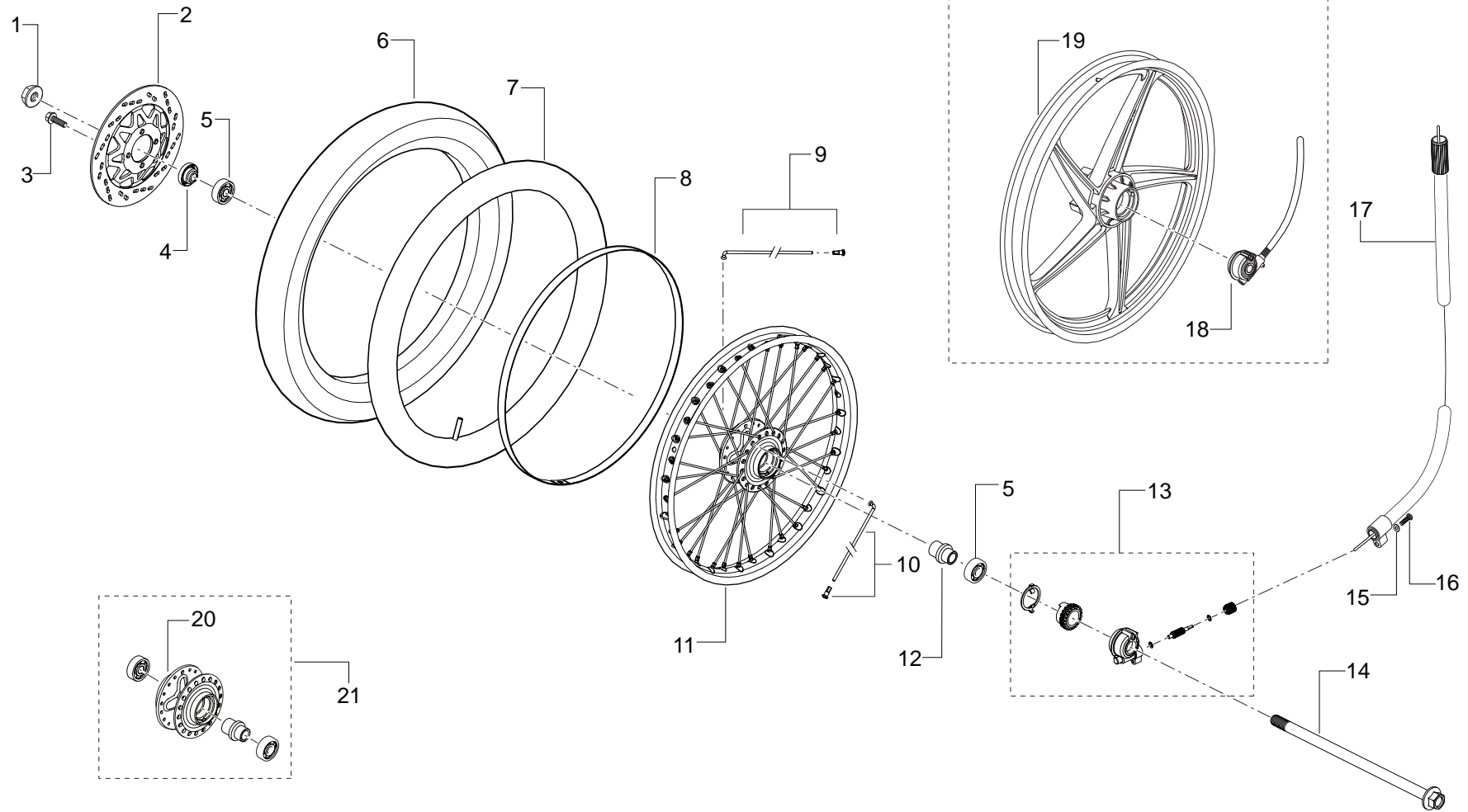
FRONT WHEEL ASSEMBLY (DRUM)

Fig No. 28

REF. NO.	PART NO.	DESCRIPTION	QUANTITY						REMARKS
			NEO			NEO X3i			
			SW-DRUM	SW-DISC	CW	SW-DRUM	SW-DISC	CW	
26	0178030	O RING BRAKE CAM	1			1			
27	0335698	PUNCHED WASHER 14.5x22x1.6	1			1			
28	0331248	HEX BOLT M6x1x33	1			1			
29	N5110630	LEVER FRONT BRAKE CAM	1			1			
30	S1111940	PIN FR CABLE LEVER ZNC	1			1			
31	0334268	NUT FR.BR.CABLE ADJ.-BR	1			1			
32	420001700	PUNCHED WASHER A6.6	1			1			
33	420305700	HEX NUT M6	1			1			
34	R1170090	SPEEDO CABLE	1			1			
35	R1110910	WHEEL HUB FRONT (DRUM)	1			1			
36	R1110920	HUB ASSY FRONT DRUM	1			1			
37	R1110330	WHEEL ASSY FRONT (DRUM)	1			1			

Fig No. 29

FRONT WHEEL ASSEMBLY (DISC)



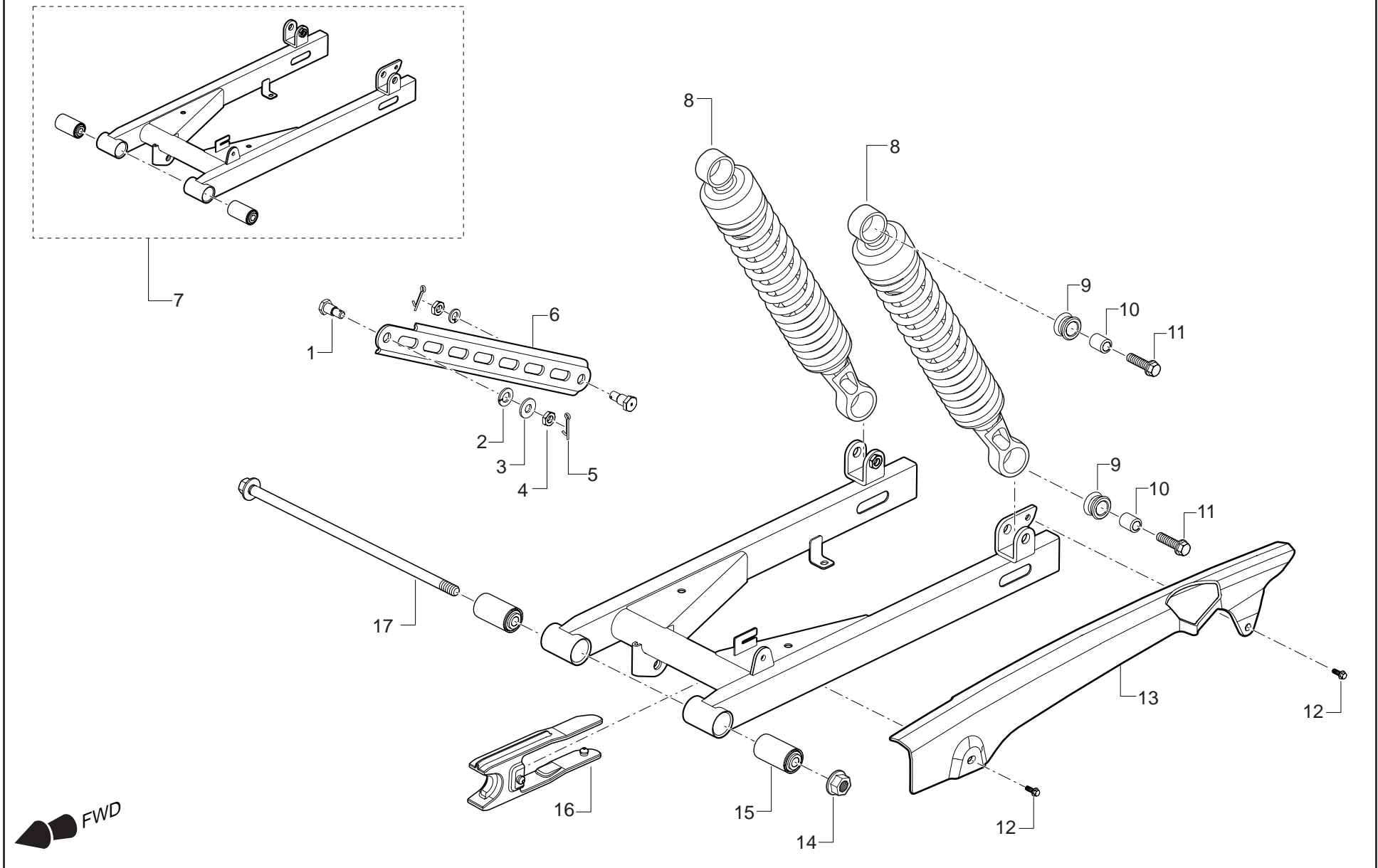
FRONT WHEEL ASSEMBLY (DISC)

Fig No. 29

REF. NO.	PART NO.	DESCRIPTION	QUANTITY						REMARKS
			NEO			NEO X3i			
			SW-DRUM	SW-DISC	CW	SW-DRUM	SW-DISC	CW	
1	S1200790	HEX FLANGE U NUT M12		1	1		1	1	
2	R1110430	DISC FRONT BRAKE		1	1		1	1	
3	M7110280	HEX FLANGE BOLT M8x30		4	4		1	4	
4	R1110540	SPACER COMP FRONT WHEEL		1	1		1	1	
5	N3200010	BALL BEARING 12x37x12 C3 6301 RS1		2	2		2	2	
6	R1110130	TYRE FRONT 2.5"x17"		1	1		1	1	
7	R1110740	TUBE 2.5" X 17 "		1	1		1	1	
8	R1110530	RIM TAPE		1			1		
9	R1321440	SPOKE & NIPPLE SET INNER (DISC) (18 Each)		1			1		
10	R1321470	SPOKE & NIPPLE SET OUTER (DISC) (18 Each)		1			1		
11	R1110700	RIM WHEEL 1.4"x17"		1			1		
12	R1110760	SPACER COMP FRONT HUB		1	1		1	1	
13	R1110660	HUB DRIVE SET		1			1	1	
14	R1110580	AXLE DIA 12x208		1	1		1	1	
15	----	PUNCHED WASHER		1			1	1	
16	----	CRR CSK SCREW		1			1	1	
17	R1170040	SPEEDO CABLE		1			1		
18	R1111010	DIGITAL SPEEDO HUB DRIVE			1		1		
19	R3110080	ALLOY WHEEL 1.4x17 FRONT DISC			1			1	
20	R1110610	WHEEL HUB FRONT		1			1		
21	R1110620	HUB ASSY, FRONT		1			1		
22	R1110350	WHEEL ASSY FRONT - SW		1			1		
22A	R1110860	WHEEL ASSY FRONT - CW			1			1	

Fig No. 30

REAR SUSPENSION



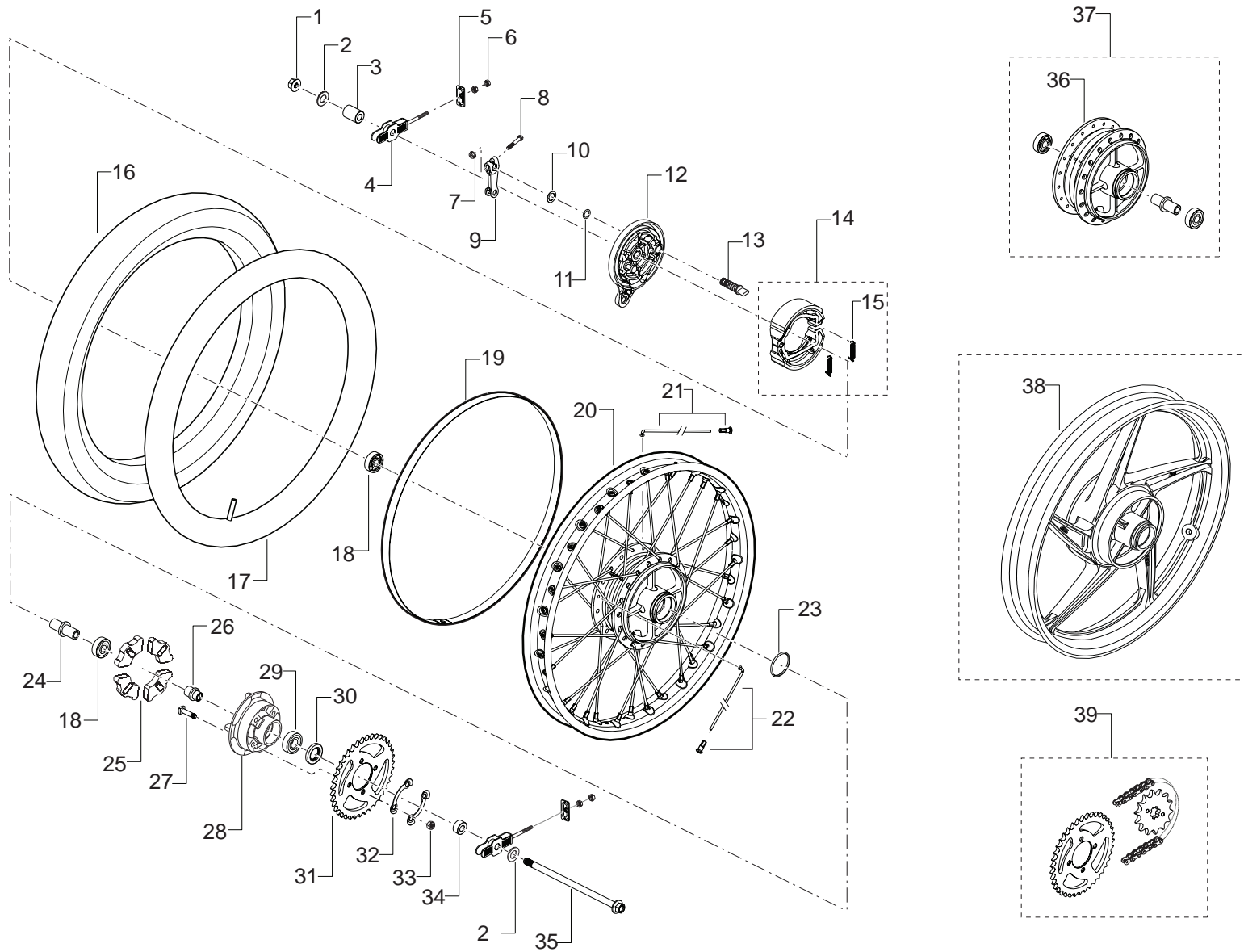
REAR SUSPENSION

Fig No. 30

REF. NO.	PART NO.	DESCRIPTION	QUANTITY						REMARKS
			NEO			NEO X3i			
			SW-DRUM	SW-DISC	CW	SW-DRUM	SW-DISC	CW	
1	0331348	BOLT TORQUE LINK	2	2	2	2	2	2	
2	P1200190	WAVE SPRING WASHER M10x ZNB	2	2	2	2	2	2	
3	0336018	PUNCHED WASHER 8.5x20x2.0	1	1	1	1	1	1	
4	0334218	HEX NUT M8	2	2	2	2	2	2	
5	0330048	SPLIT PIN 2.0x20 ZNB	2	2	2	2	2	2	
6	R1090310	TORQUE LINK	1	1	1	1	1	1	
7	R1090220	SWING ARM COMP (BLACK)	1	1	1	1	1	1	
8	R1090800	SHOCK ABSORBER (BLACK)	2	2	2	2	2	2	
9	R1090980	BUSHING TOP & BOTTOM	4	4	4	4	4	4	
10	R1090950	SLEEVE TOP & BOTTOM	4	4	4	4	4	4	
11	N3200050	HEX FL BOLT M10x1.5x36	4	4	4	4	4	4	
12	R1200500	HEX SCREW M6x10	2	2	2	2	2	2	
13	R1090300	CHAIN COVER	1	1	1	1	1	1	
14	K200570	U-NUT M10x1.25 FLANGED	1	1	1	1	1	1	
15	R1090420	SILENT BLOC	2	2	2	2	2	2	
16	R1090350	BUFFER CHAIN	1	1	1	1	1	1	
17	R1110990	AXLE REAR M10x280	1	1	1	1	1	1	

Fig No. 31

REAR WHEEL ASSEMBLY



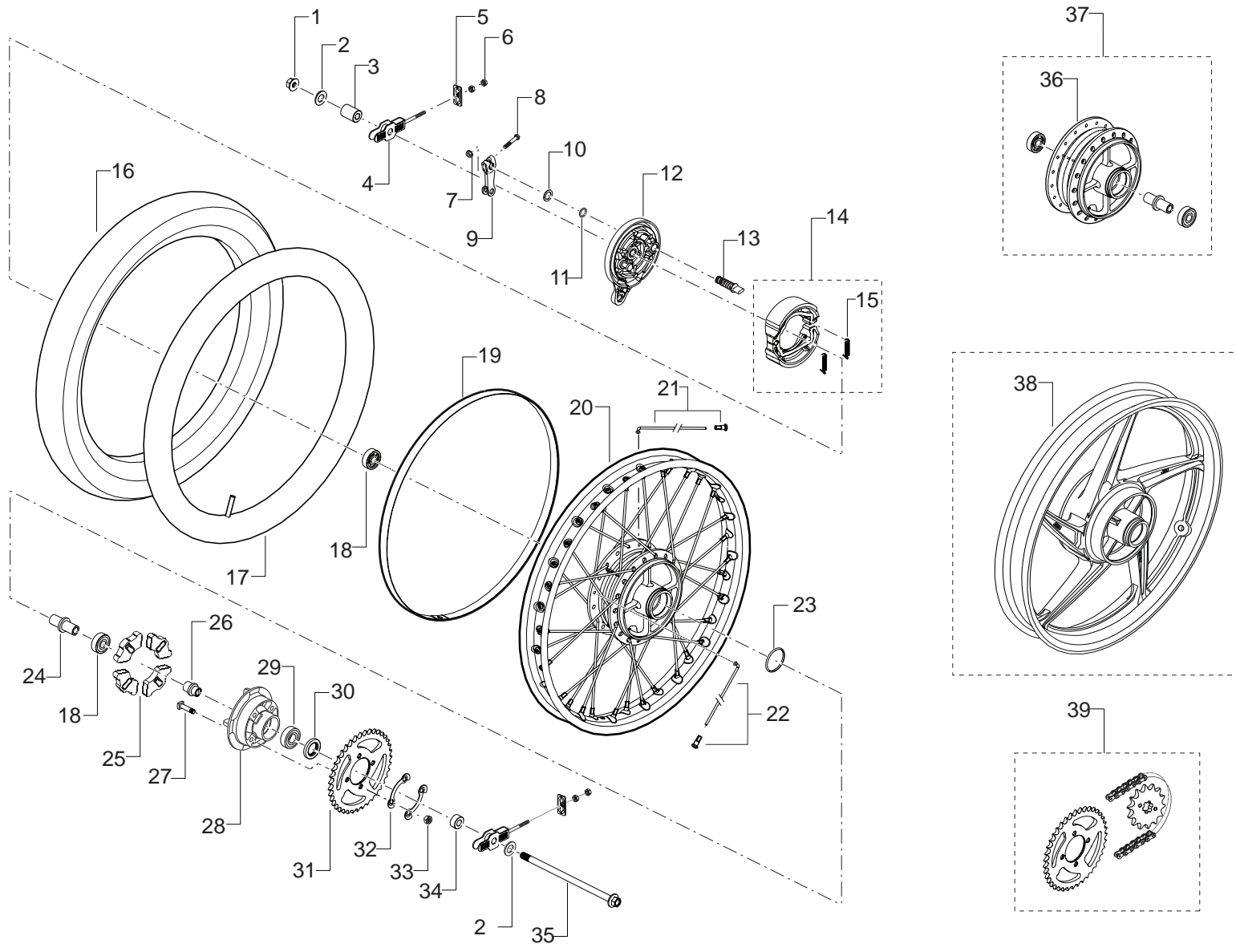
REAR WHEEL ASSEMBLY

Fig No. 31

REF. NO.	PART NO.	DESCRIPTION	QUANTITY						REMARKS
			NEO			NEO X3i			
			SW-DRUM	SW-DISC	CW	SW-DRUM	SW-DISC	CW	
1	S1200790	HEX FLANGE U NUT M12	1	1	1	1	1	1	
2	R1200330	PUNCHED WASHER 12.5x28x2.3	2	2	2	2	2	2	
3	R1110510	SPACER R REAR AXLE	1	1	1	1	1	1	
4	R1090070	CHAIN ADJUSTER COMP	2	2	2	2	2	2	
5	R1090410	CLAMP CHAIN ADJUSTER	2	2	2	2	2	2	
6	420305700	HEX NUT M6	4	4	4	4	4	4	
7	M1200900	HEX FLANGE NUT M6	1	1	1	1	1	1	
8	0331248	HEX BOLT M6x33	1	1	1	1	1	1	
9	R1110590	LEVER REAR BRAKE CAM	1	1	1	1	1	1	
10	N3200070	PUNCHED WASHER 14.5x22x1.6	1			1			
11	0178030	O - RING BRAKE CAM	1	1	1	1	1	1	
12	N2110290	BRAKE PANEL REAR COMP	1	1	1	1	1	1	
13	S1111710	CAM BRAKE	1	1	1	1	1	1	
14	3171090	SET BRAKE SHOE 110 DIA	1	1	1	1	1	1	
15	S1112020	SPRING BRAKE SHOE	2	2	2	2	2	2	
16	R1110090	TYRE 2.75"x17" REAR	1	1	1	1	1	1	
17	R1110520	TUBE 17"	1	1	1	1	1	1	
18	N3200010	BALL BEARING 12x37x12 C3 6301 RS1	2	2	2	2	2	2	
19	R1110530	RIM TAPE	1	1		1	1		
20	R1110710	RIM WHEEL 1.6"x17"	1	1		1	1		
21	R1321470	SPOKE & NIPPLE SET INNER (18 Each)	1			1	1		
22	R1320660	SPOKE & NIPPLE SET OUTER (18 Each)	1			1	1		
23	N2110670	WATER SEAL RING	1	1	1	1	1	1	
24	N2110190	SPACER COMP FRONT HUB	1	1	1	1	1	1	
25	R1111240	ABSORBER SHOCK REAR HUB	4	4	4	4	4	4	

Fig No. 31

REAR WHEEL ASSEMBLY



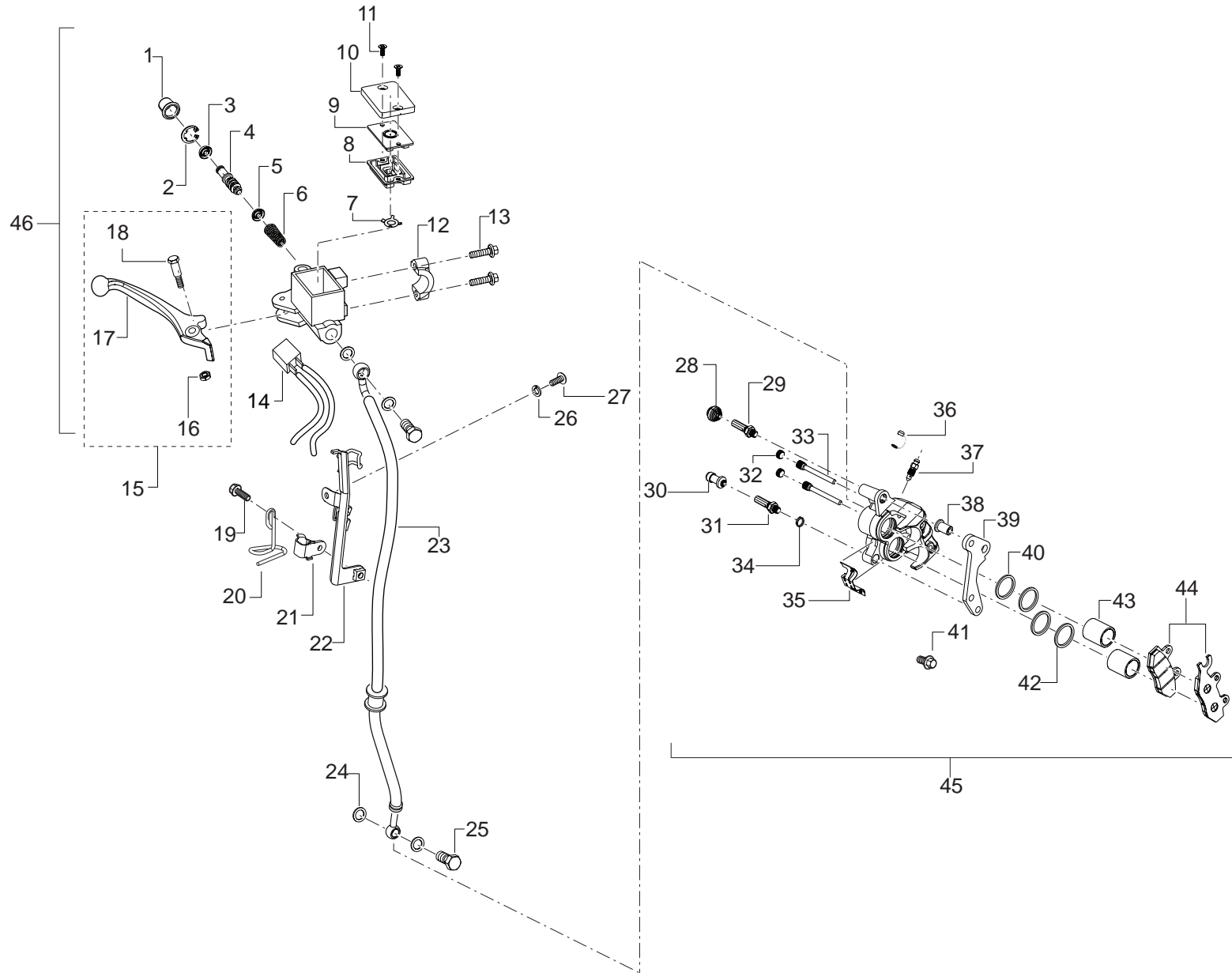
REAR WHEEL ASSEMBLY

Fig No. 31

REF. NO.	PART NO.	DESCRIPTION	QUANTITY						REMARKS
			NEO			NEO X3i			
			SW-DRUM	SW-DISC	CW	SW-DRUM	SW-DISC	CW	
26	R1110490	SPACER REAR SPROCKET MTG DRUM	1	1	1	1	1	1	
27	0331318	BOLT REAR SPROCKET	4	4	4	4	4	4	
28	R1111270	DRUM SPROCKET REAR M/C	1	1	1	1	1	1	
29	R1200130	BALL BEARING 17x40x12 RS1	1	1	1	1	1	1	
30	R1200140	OIL SEAL	1	1	1	1	1	1	
31	R1111280	SPROCKET 39T	1	1	1	1	1	1	
32	N3110470	WASHER SPROCKET	2	2	2	2	2	2	
33	0334548	HEXAGONAL NUT M8	4	4	4	4	4	4	
34	R1110500	SPACER L REAR AXLE	1	1	1	1	1	1	
35	R1110570	AXLE REAR M12x240	1	1	1	1	1	1	
36	R1110630	WHEEL HUB REAR	1	1		1	1		
37	R1110640	HUB ASSY REAR	1	1		1	1		
38	R3110130	ALLOY WHEEL REAR BLACK (5 SPOKE)			1			1	
39	R1321070	CHAIN & SPROCKET KIT	1	1	1	1	1	1	
40	R1110070	WHEEL ASSY REAR -SW	1	1		1	1		
41	R1110890	WHEEL ASSY REAR - CW (BLACK)			1			1	

Fig No. 32

DISC BRAKE ASSEMBLY



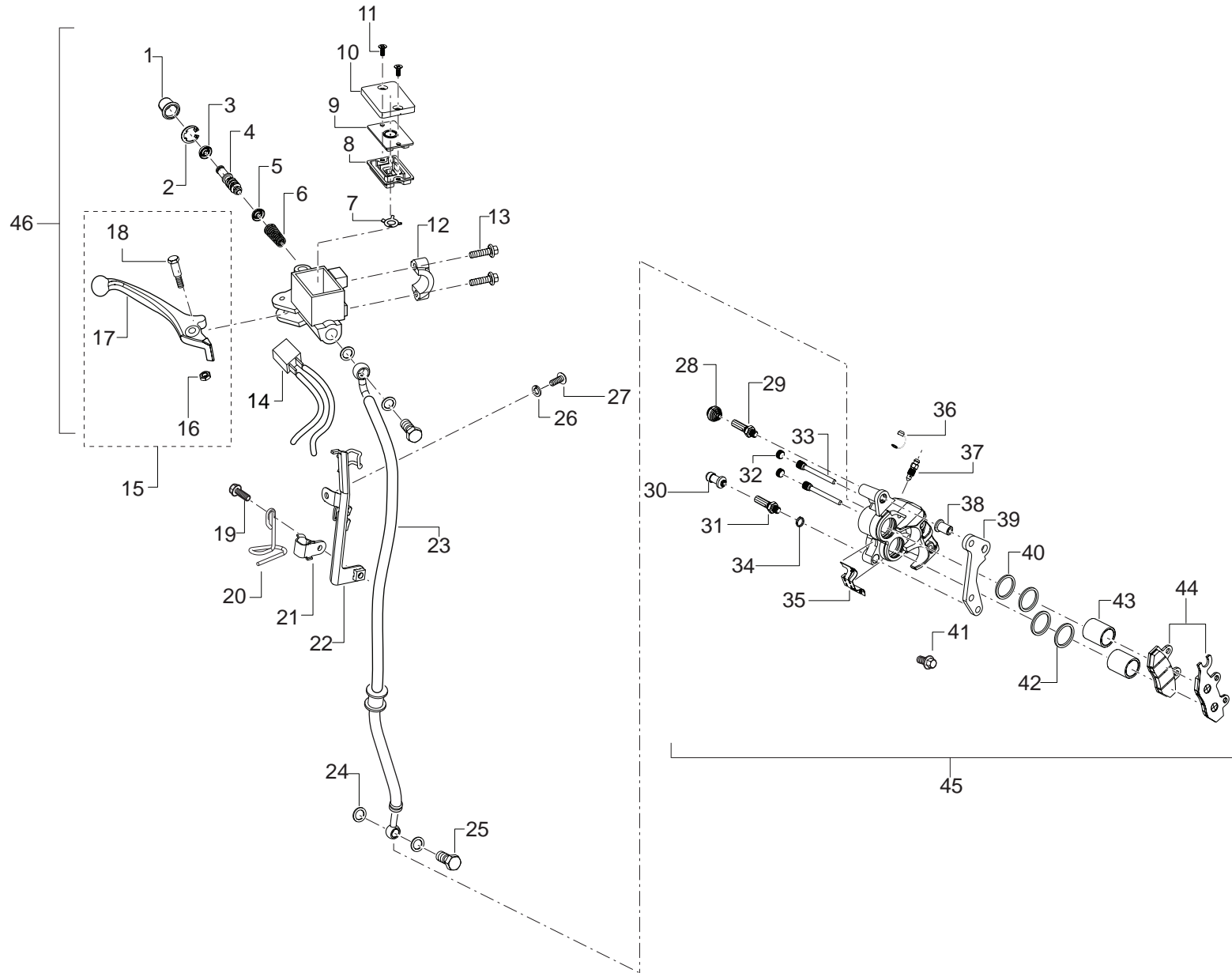
FRONT DISC BRAKE ASSEMBLY

Fig No. 32

REF. NO.	PART NO.	DESCRIPTION	QUANTITY						KIT NO.
			NEO			NEO X3i			
			SW-DRUM	SW-DISC	CW	SW-DRUM	SW-DISC	CW	
1	→	BOOT COMP		1	1		1	1	N9321490
2	→	CIRCLIP		1	1		1	1	---- "----
3	→	SECONDARY CUP		1	1		1	1	---- "----
4	→	PISTON		1	1		1	1	---- "----
5	→	PRIMARY CUP		1	1		1	1	---- "----
6	→	SPRING		1	1		1	1	---- "----
7	→	PROTECTOR		1	1		1	1	N9321490
8	→	DIAPHRAGM		1	1		1	1	---- "----
9	→	PLATE DIAPHRAGM		1	1		1	1	N9321530
10	→	RESERVOIR CAP		1	1		1	1	---- "----
11	→	SCREW PLATE M4x12		2	2		2	2	---- "----
12	→	HOLDER		1	1		1	1	N9321510
13	→	HOLDER BOLT		2	2		2	2	---- "----
14	→	BRAKE SWITCH AND HARNESS		1	1		1	1	N9321520
15	R1320240	KIT LEVER		1	1		1	1	
16	→	FLANGE 6MM NUT		1	1		1	1	---- "----
17	→	BRAKE LEVER		1	1		1	1	---- "----
18	→	BOLT BRAKE LEVER		1	1		1	1	R1320240
19	N3200220	HEX FLANGE BOLT M6x16		1	1		1	1	
20	R1111340	HOSE CLAMP		1	1		1	1	
21	R1100240	CLAMP DISC BRAKE HOSE		1	1		1	1	
22	R1100230	HOLDER COMP DISC BRAKE HOSE		1	1		1	1	
23	→	HOSE BRAKE FR DISC		1	1		1	1	N9321540
24	N9111330	WASHER BANJO		4	4		4	4	---- "----
25	N9111320	BANJO BOLT		2	2		2	2	---- "----

Fig No. 32

DISC BRAKE ASSEMBLY



FRONT DISC BRAKE ASSEMBLY

Fig No. 32

REF. NO.	PART NO.	DESCRIPTION	QUANTITY						KIT NO.
			NEO			NEO X3i			
			SW-DRUM	SW-DISC	CW	SW-DRUM	SW-DISC	CW	
26	420051000	SPRING WASHER B7		1	1		1	1	
27	0332275	CRR PAN HD SCREW M6x16		1	1		1	1	
28	→	BOOT B		1	1		1	1	N9321550
29	→	PIN BOLT A		1	1		1	1	----- "-----
30	→	BUSH BOOT PIN		1	1		1	1	----- "-----
31	→	PIN BOLT B		1	1		1	1	----- "-----
32	→	PLUG PIN		2	2		2	2	----- "-----
33	→	PIN HANGER		2	2		2	2	----- "-----
34	→	SPRING WASHER		1	1		1	1	N9321570
35	→	PAD SPRING		1	1		1	1	----- "-----
36	→	CAP BLEEDER		1	1		1	1	----- "-----
37	→	BLEEDER		1	1		1	1	N9321600
38	→	INNER HEX NUT		1	1		1	1	N9321570
39	→	BRACKET COMP FRONT		1	1		1	1	----- "-----
40	→	SEAL PISTON		2	2		2	2	N9321550
41	U2200010	HEX FLANGE BOLT M8x27		2	2		2	2	
42	→	DUST SEAL		2	2		2	2	N9321550
43	→	PISTON CALIPER		2	2		2	2	----- "-----
44	N9111300	KIT PAD ASSY		1	1		1	1	
45	R1110650	CALIPER ASSY		1	1		1	1	
46	R1150390	MASTER CYLINDER ASSY		1	1		1	1	

Fig No. 33

TOOL KIT

