

TVS
Apache

PARTS CATALOGUE

NOTICE

The description and illustrations in this booklet are not to be taken as binding on the manufactures. The essential features of the type described and illustrated herein remains unaltered, PT TVS MOTOR COMPANY INDONESIA, reserves the right to carry out any moment, without being obliged to bring this booklet up-date modifications, on the vehicle, parts of accessories, as may be convenient and necessary.

FOREWORD

We have great pleasure in releasing the Third edition of Apache RTR Parts catalogue. This parts catalogue is applicable for the following models

1. APACHE RTR 160 SINGLE DISC
2. APACHE RTR 160 DOUBLE DISC
3. NEWAPACHE RTR 160 SINGLE DISC
4. NEWAPACHE RTR 180 DOUBLE DISC

This catalogue is designed to assist you to select correct parts for ordering.

TVS Genuine parts have a rigorous standard of quality check at various stages. So while it becomes important to use only TVS-G parts. In continues efforts in improving the performance and efficiency of the vehicle, design, specifications, diagram/illustrations and part numbers can change without any notice. It is your responsibility to get your parts catalogue updated through the information given to you from PT. TVS Motor Company Indonesia.

While ordering parts please ensure that correct part number, description and quantity are specified clearly.

Please note that the drawings and illustrations used in this parts catalogue are only a reference for the dealer to order spare parts. This cannot be used for anything related to repair/maintanance. For such purpose please refer applicable service manual of this model.

This parts catalogue is exclusively for PT TVS Motor Company authorised outlets only.

In case of assistance please contact us.

Collogues

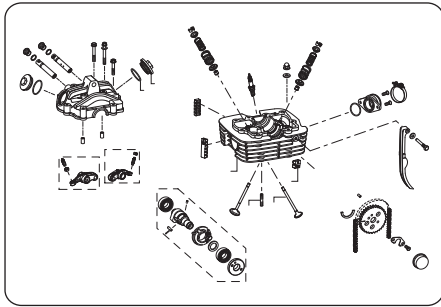
PT TVS MOTOR COMPANY INDONESIA

KATA PENGANTAR

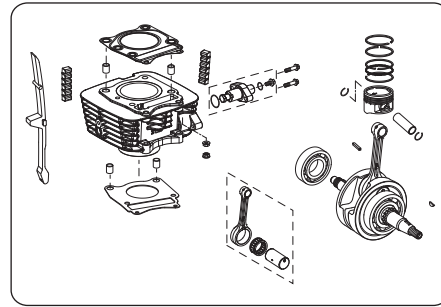
CHAPTER INDEX

Fig. No.	Chapter	Page No.	Fig. No.	Chapter	Page No.
	Foreword.....	I	17A	Headlamp Assembly.....	75
01	Cylinder Head Assembly.....	01	18	Panels and Rear Fender Assembly.....	79
02	Cylinder Block & Crankshaft Assembly.....	05	18A	Panels and Rear Fender Assembly.....	83
03	Crankcase Assembly	09	19	Speedometer Assembly.....	87
04	Clutch & Cover Clutch Assembly.....	13	20	Rear Combination Lamp Assembly	89
05	Magneto Assembly	17	21	Electrical System.....	91
06	Muffler Assembly	21	22	Front Fork Assembly.....	95
07	Carburettor Assembly.....	23	23	Front Wheel Assembly.....	101
08	Air Filter Assembly.....	29	24	Rear Wheel Assembly (Drum).....	103
09	Kick Starter Assembly.....	31	24A	Rear Wheel Assembly (Disc).....	107
10	Transmission Assembly.....	33	25	Swing Arm Assembly	111
11	Gear Shifting Mechanism	37	26	Rear Suspension	113
12	Fuel Tank Assembly	41	27	Secondary Air Injection Assembly.....	115
12A	Fuel Tank Assembly	43	28	Disc Brake Assembly (Front).....	117
13	Frame Assembly	47	29	Disc Brake Assembly (Rear).....	121
13A	Frame Assembly	55	30	Tool Kit	125
14	Stand Assembly.....	63	31	Tape set RTR 160 - SD.....	127
15	Seat Assembly	65		Painted Parts	129
16	Handlebar Assembly	67		Kit Details	135
17	Headlamp Assembly	71		Numerical Index	142

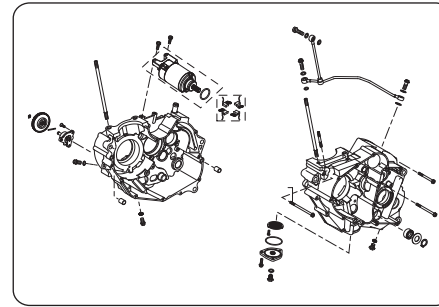
CHAPTER INDEX



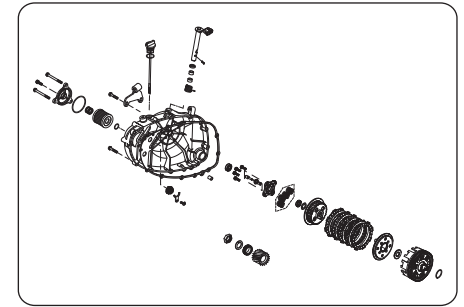
CYLINDER HEAD ASSEMBLY
FIG. NO. 01 ON PAGE NO. 01



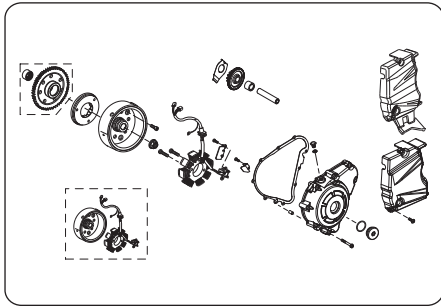
CYLINDER BLOCK & CRANKSHAFT ASSEMBLY
FIG. NO. 02 ON PAGE NO. 05



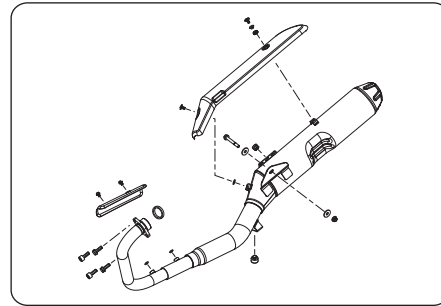
CRANKCASE ASSEMBLY
FIG. NO. 03 ON PAGE NO. 09



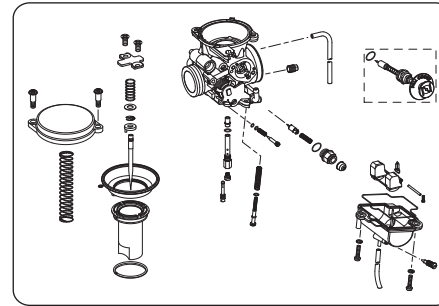
CLUTCH & COVER CLUTCH ASSEMBLY
FIG. NO. 04 ON PAGE NO. 13



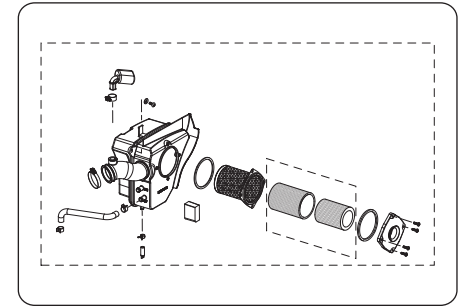
MAGNETO ASSEMBLY
FIG. NO. 05 ON PAGE NO. 17



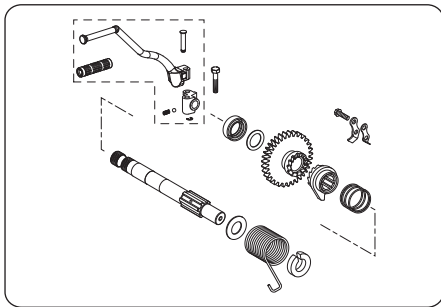
MUFFLER ASSEMBLY
FIG. NO. 06 ON PAGE NO. 21



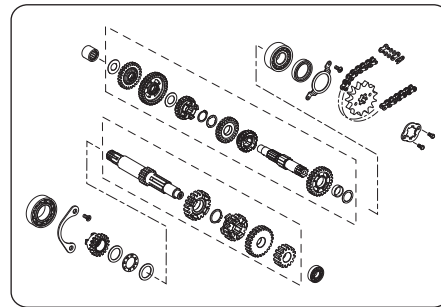
CARBURETTOR ASSEMBLY
FIG. NO. 07 ON PAGE NO. 23



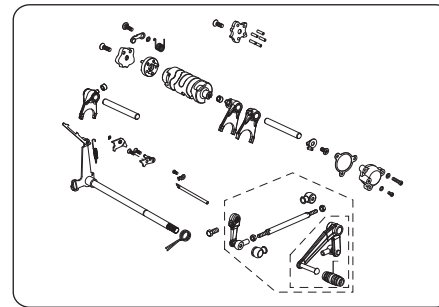
AIR CLEANER ASSEMBLY
FIG. NO. 08 ON PAGE NO. 29



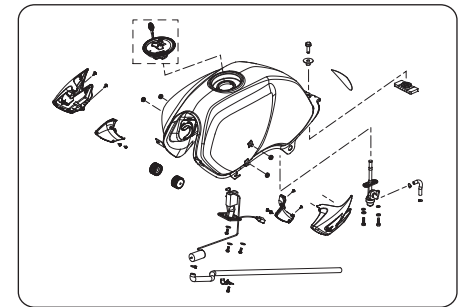
KICK STARTER ASSEMBLY
FIG. NO. 09 ON PAGE NO. 31



TRANSMISSION ASSEMBLY
FIG. NO. 10 ON PAGE NO. 33

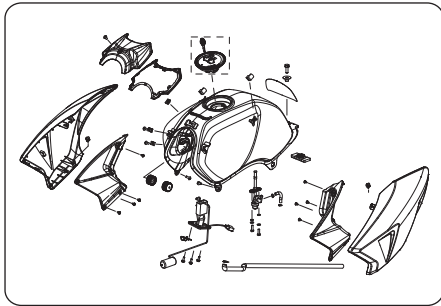


GEARSHIFT MECHANISM
FIG. NO. 11 ON PAGE NO. 37

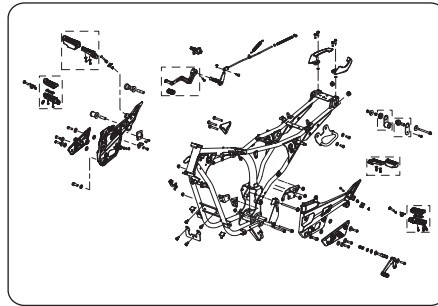


FUEL TANK ASSEMBLY
FIG. NO. 12 ON PAGE NO. 41

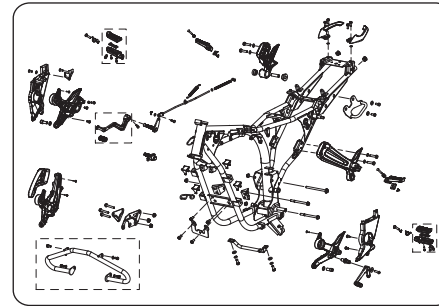
CHAPTER INDEX



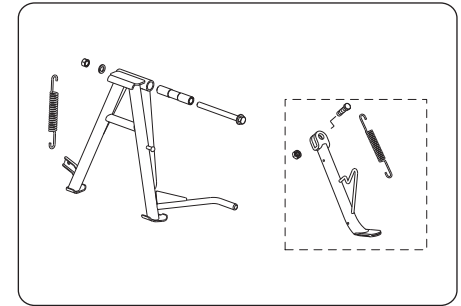
FUEL TANK ASSEMBLY
FIG. NO. 12A ON PAGE NO. 43



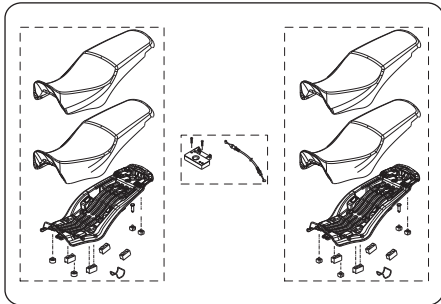
FRAME ASSEMBLY
FIG. NO. 13 ON PAGE NO. 47



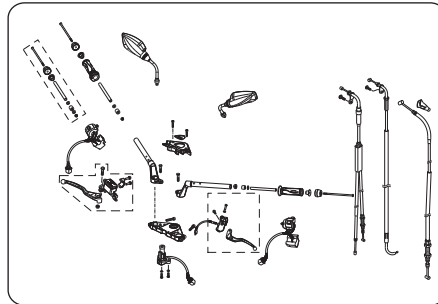
FRAME ASSEMBLY
FIG. NO. 13A ON PAGE NO. 55



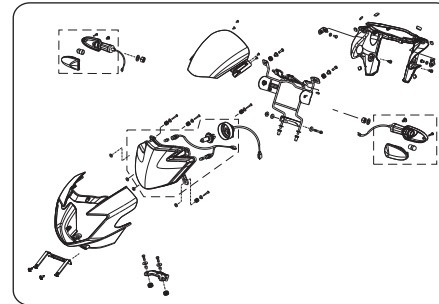
STAND ASSEMBLY
FIG. NO. 14 ON PAGE NO. 63



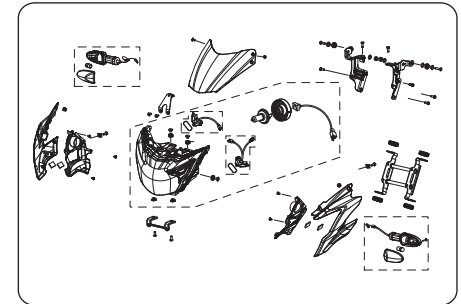
SEAT ASSEMBLY
FIG. NO. 15 ON PAGE NO. 65



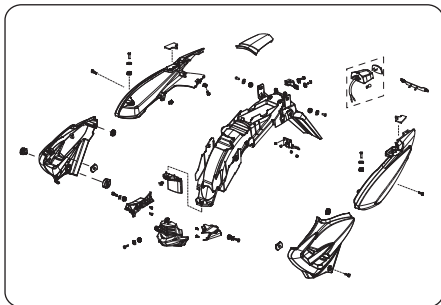
HANDLE BAR ASSEMBLY
FIG. NO. 16 ON PAGE NO. 67



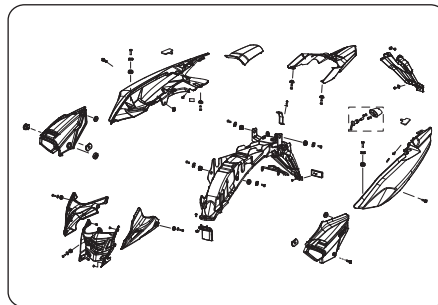
HEADLAMP ASSEMBLY
FIG. NO. 17 ON PAGE NO. 71



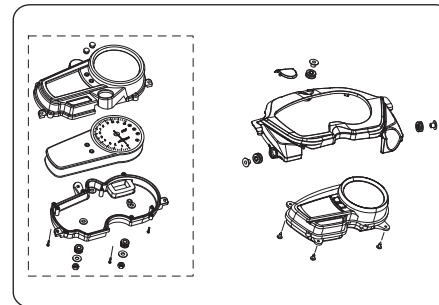
HEADLAMP ASSEMBLY
FIG. NO. 17A ON PAGE NO. 75



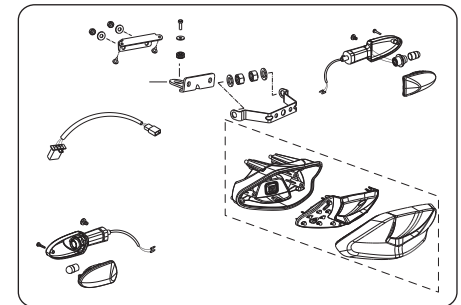
PANELS AND REAR FENDER ASSEMBLY
FIG. NO. 18 ON PAGE NO. 79



PANELS AND REAR FENDER ASSEMBLY
FIG. NO. 18A ON PAGE NO. 83

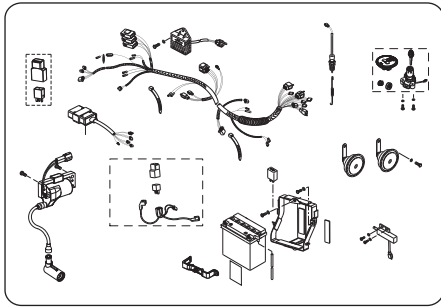


SPEEDOMETER ASSEMBLY
FIG. NO. 19 ON PAGE NO. 87

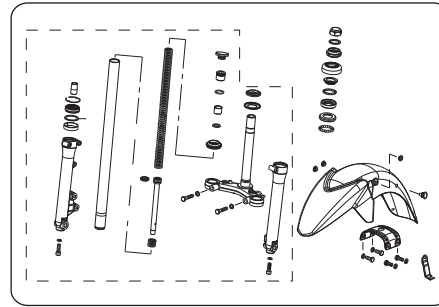


REAR COMBINATION LAMP ASSEMBLY
FIG. NO. 20 ON PAGE NO. 89

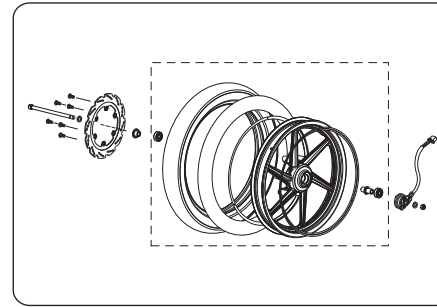
CHAPTER INDEX



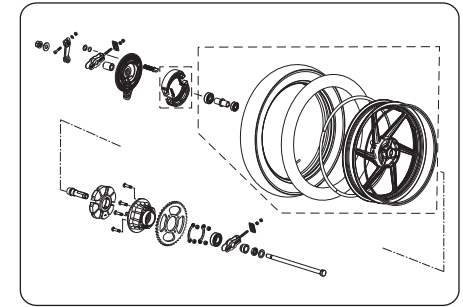
ELECTRICAL SYSTEM
FIG. NO. 21 ON PAGE NO. 91



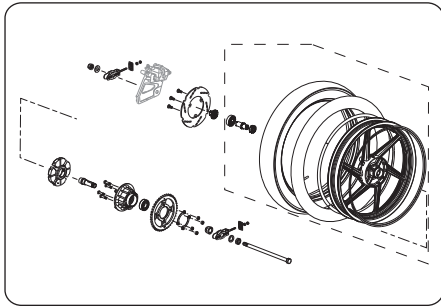
FRONT FORK ASSEMBLY
FIG. NO. 22 ON PAGE NO. 95



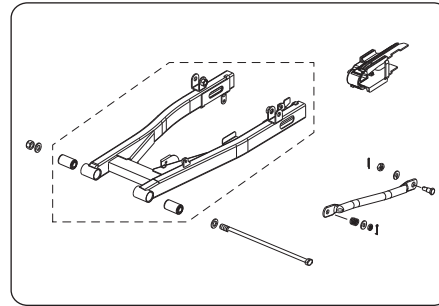
FRONT WHEEL ASSEMBLY
FIG. NO. 23 ON PAGE NO. 101



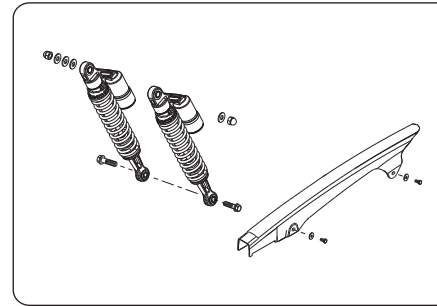
REAR WHEEL ASSEMBLY (DRUM BRAKE)
FIG. NO. 24 ON PAGE NO. 103



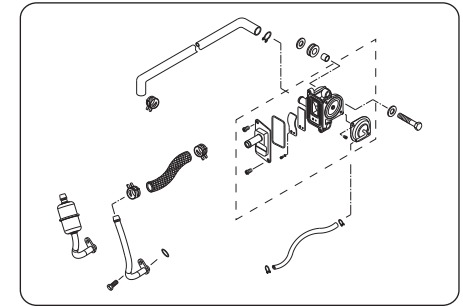
REAR WHEEL ASSEMBLY (DISC BRAKE)
FIG. NO. 24A ON PAGE NO. 107



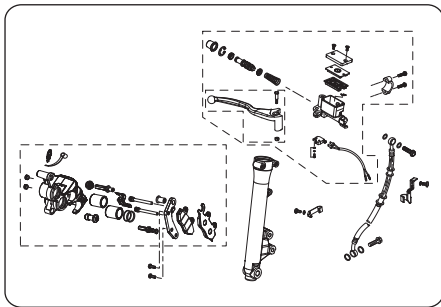
SWING ARM ASSEMBLY
FIG. NO. 25 ON PAGE NO. 111



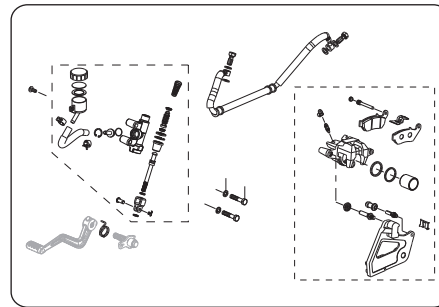
REAR SUSPENSION
FIG. NO. 26 ON PAGE NO. 113



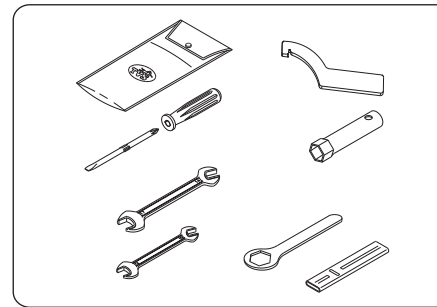
SECONDARY AIR INJECTION ASSEMBLY
FIG. NO. 27 ON PAGE NO. 115



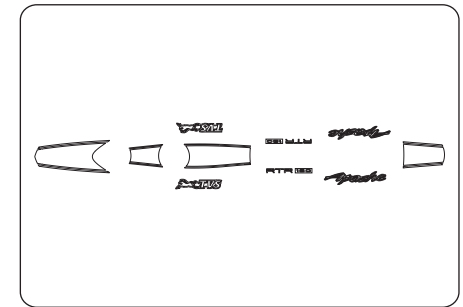
DISC BRAKE ASSEMBLY FRONT
FIG. NO. 28 ON PAGE NO. 117



DISC BRAKE ASSEMBLY REAR
FIG. NO. 29 ON PAGE NO. 121

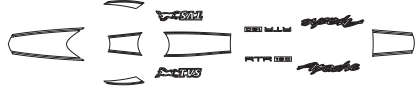


TOOL KIT
FIG. NO. 30 ON PAGE NO. 125



TAPE SET RTR 160 - SD
FIG. NO. 31 ON PAGE NO. 127

CHAPTER INDEX



TAPE SET RTR 160 - DD
FIG. NO. 31A ON PAGE NO. 128



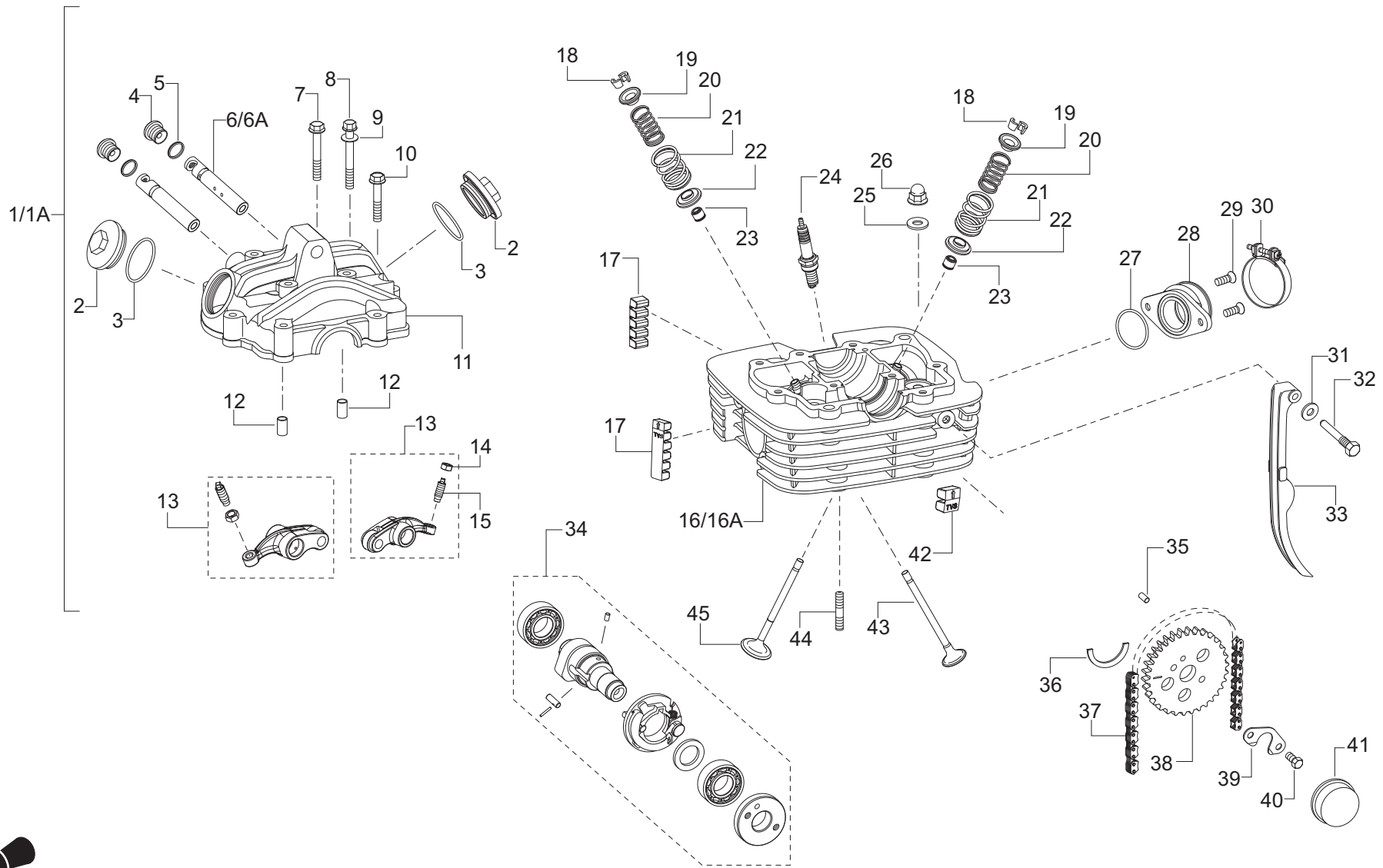
PAINTED PARTS
PAGE NO. 129

KIT DETAILS
PAGE NO. 135

NUMERICAL INDEX
PAGE NO. 135

FIG. NO. 01

CYLINDER HEAD ASSEMBLY



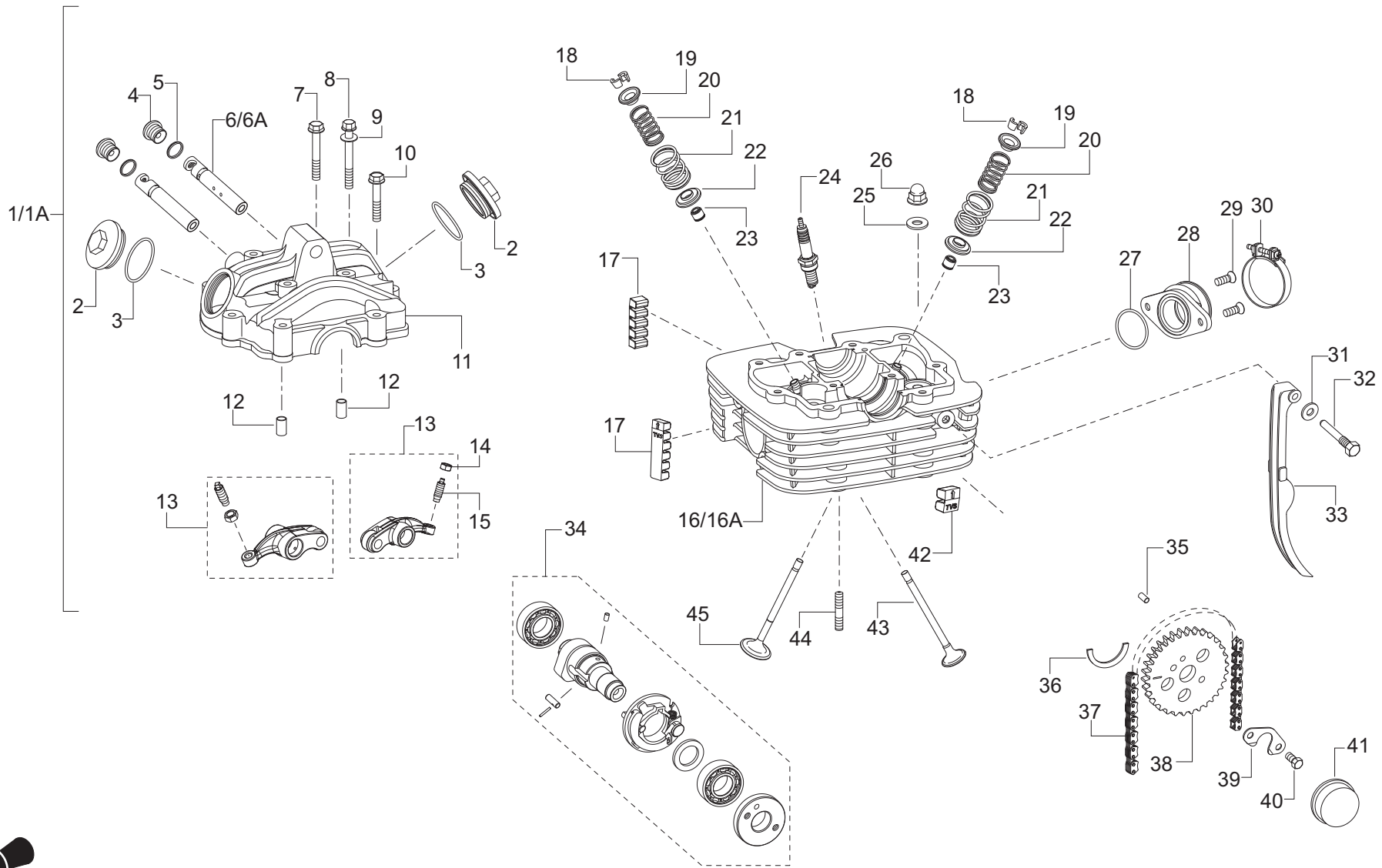
CYLINDER HEAD ASSEMBLY

FIG. NO. 01

REF. NO.	PART NO.	DESCRIPTION	QUANTITY				REMARKS
			RTR 160 SD	RTR 160 DD	RTR 160 SD REF.	RTR 180 DD	
1	N9322330	CYLINDER HEAD ASSEMBLY KIT	1	1	1		
1A	N90105107D	CYLINDER HEAD ASSEMBLY KIT				1	
2	R1011010	CAP INSPECTION HOLE	2	2	2	2	
3	R1200490	O-RING 29.5x3	2	2	2	2	
4	M1010540	PLUG ROCKER ARM SHAFT	2	2	2	2	
5	M1080520	WASHER ROCKER SHAFT	2	2	2	2	
6	M7010850	SHAFT VALVE ROCKER ARM	2				
6A	M7011510	SHAFT VALVE ROCKER ARM	2	2	2	2	
7	M1200600	HEX FLANGE BOLT M6x45	2	2	2	2	
8	M1200010	HEX FLANGE BOLT M6x55	4	4	4	4	
9	N2010960	WASHER CAM CHAIN TENSIONER	4	4	4	4	
10	M1200590	HEX FLANGE BOLT M6x35	4	4	4	4	
11	----	COVER CYLINDER HEAD	1	1	1	1	REF. SL. NO. 16
12	M1010090	PIN CYLINDER HEAD COVER KNOCK	2	2	2	2	
13	R1011000	ROCKER ARM ASSY	2	2	2	2	
14	S1010250	NUT TAPPET ADJUSTING	2	2	2	2	
15	S1010240	SCREW TAPPET ADJUSTING	2	2	2	2	
16	M7321990	HEAD COMPLETE CYLINDER (WITH COVER CYL HEAD)	1	1	1		
16A	N90105007D	HEAD COMPLETE CYLINDER (WITH COVER CYL HEAD)				1	
17	M7011120	DAMPER CYLINDER HEAD 2	2	2	2	2	
18	S1010320	COTTER VALVE	4	4	4	4	
19	N2011040	RETAINER VALVE SPRING	2	2	2	2	
20	N3011280	SPRING VALVE INNER	2	2	2	2	
21	M1010580	SPRING VALVE OUTER	2	2	2	2	
22	M1010610	SEAT VALVE SPRING	2	2	2	2	

FIG. NO. 01

CYLINDER HEAD ASSEMBLY



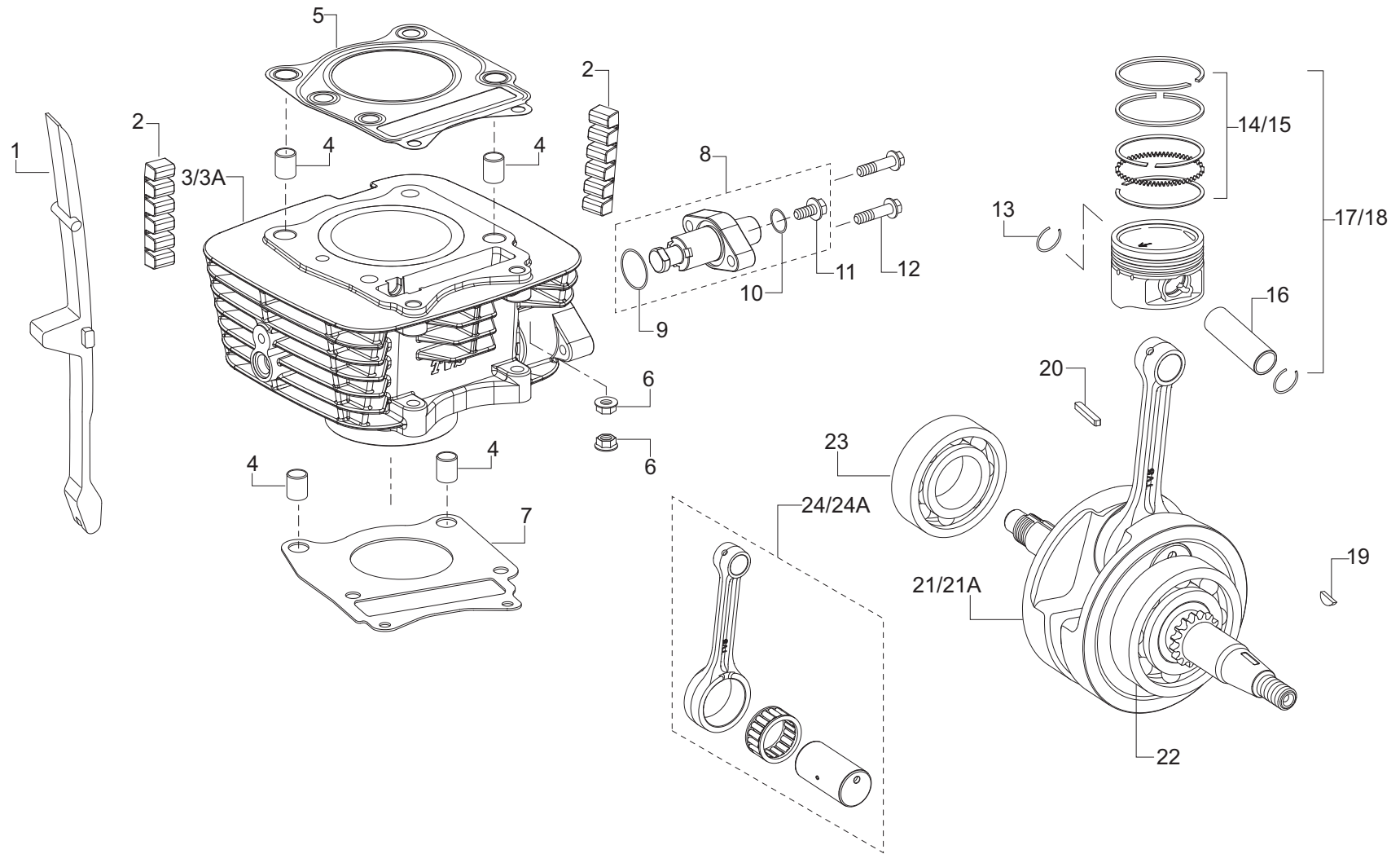
CYLINDER HEAD ASSEMBLY

FIG. NO. 01

REF. NO.	PART NO.	DESCRIPTION	QUANTITY				REMARKS
			RTR 160 SD	RTR 160 DD	RTR 160 SD REF.	RTR 180 DD	
23	N4011100	SEAL VALVE STEM OIL	2	2	2	2	
24	M7011010	SPARK PLUG (UR5 DDC)	1	1	1	1	
25	M1200060	PUNCHED WASHER 8.5x18x2.3	4	4	4	4	
26	M1200050	DOMED NUT WITH FLANGE M8	4	4	4	4	
27	M1200220	O-RING 31.7x2.4	1	1	1	1	
28	M7040730	PIPE COMPLETE INTAKE	1	1	1	1	
29	0332228	REC CSK HD SCR M6x16	2	2	2	2	
30	M1040140	CLAMP INTAKE PIPE	1	1	1	1	
31	M1080370	GASKET OIL PIPE UNION	1	1	1	1	
32	M1080510	BOLT CAM CHAIN TENSIONER	1	1	1	1	
33	M1080990	TENSIONER CAM CHAIN	1	1	1	1	
34	M7010800	CAMSHAFT COMP -APACHE	1	1	1	1	
35	M1010490	PIN SPROCKET KNOCK	1	1	1	1	
36	M7010840	C - RING CAMSHAFT	1	1	1	1	
37	M1010200	CAM CHAIN . CAMSHAFT DRIVE (LINK 94)	1	1	1	1	
38	M1010210	SPROCKET CAMSHAFT 32T	1	1	1	1	
39	M1080500	WASHER SPROCKET	1	1	1	1	
40	420452700	HEX SCREW M6x12	2	2	2	2	
41	M7010910	PLUG CYLINDER HEAD	1	1	1	1	
42	M7011110	DAMPER CYLINDER HEAD 1 (2 STEP)	1	1	1	1	
43	M7010280	VALVE EXHAUST	1	1	1	1	
44	M1200780	STUD BOLT CYLINDER HEAD	4	4	4	4	
45	M7010270	VALVE INTAKE	1	1	1	1	
46	N9180470	ENGINE ASSY ES RTR 160	1	1	1		
46A	N9180030	ENGINE ASSY ES RTR 180				1	

FIG. NO. 02

CYLINDER BLOCK & CRANK SHAFT ASSEMBLY



CYLINDER BLOCK & CRANK SHAFT ASSEMBLY

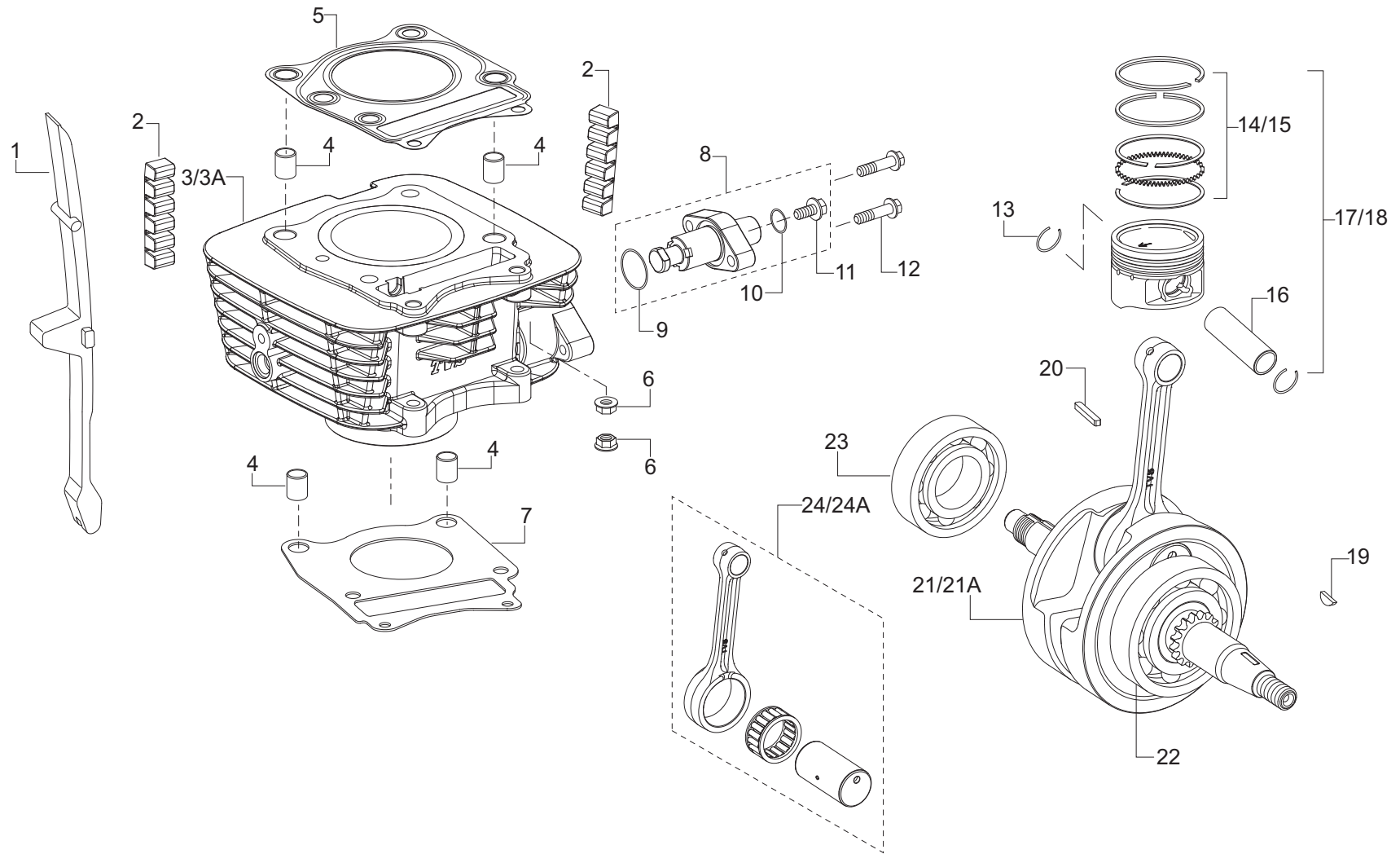
FIG. NO. 02

REF. NO.	PART NO.	DESCRIPTION	QUANTITY				REMARKS
			RTR 160 SD	RTR 160 DD	RTR 160 SD REF.	RTR 180 DD	
1	M1010250	GUIDE CAM CHAIN	1	1	1	1	
2	M7011130	DAMPER CYLINDER HEAD 3	2	2	2	2	
3	M70112607D	CYLINDER BLOCK COMP RTR 160	1	1	1		
3A	M7011310	CYLINDER BLOCK COMP RTR 180				1	
4	S1200270	DOWELPIN - DIA 11 x DIA 9 x 12	4	4	4	4	
5	M7011320	GASKET CYLINDER HEAD	1	1	1	1	
6	M1200900	HEX FLANGE NUT M6	4	4	4	4	
7	M1010660	GASKET CYLINDER (BASE)	1	1	1	1	
8	M7011370	ADJUSTER ASSY TENSIONER	1	1	1	1	
9	R1321190	O' RING ADJUSTER TENSIONER	1	1	1	1	
10	R1321210	O' RING CAP ADJUSTER	1	1	1	1	
11	R1321200	CAP ADJUSTER TENSIONER	1	1	1	1	
12	N2200500	HEX FLANGE BOLT M6x25 ZNG	2	2	2	2	
13	M1010440	CIRCLIP PISTON PIN	2	2	2	2	
14	M7322020	RING SET PISTON - STD RTR 160	1	1	1		#
14A	M7321960	RING SET PISTON - I O/S RTR 160	1	1	1		#
14B	M7321970	RING SET PISTON - II O/S RTR 160	1	1	1		#
15	N9020150	RING SET PISTON - STD RTR 180				1	#
15A	N9323030	RING SET PISTON - I O/S RTR 180				1	#
15B	N9323040	RING SET PISTON - II O/S RTR 180				1	#
16	M7020370	PIN PISTON	1	1	1	1	
17	M7321630	PISTON KIT - STD RTR 160	1	1	1		#
17A	M7321640	PISTON KIT - I O/S RTR 160	1	1	1		#
17B	M7321650	PISTON KIT - II O/S RTR 160	1	1	1		#
18	N9020140	PISTON KIT - STD RTR 180				1	#

NOTE : # - For more details refer Kit details on Page 135

FIG. NO. 02

CYLINDER BLOCK & CRANK SHAFT ASSEMBLY



CYLINDER BLOCK & CRANK SHAFT ASSEMBLY

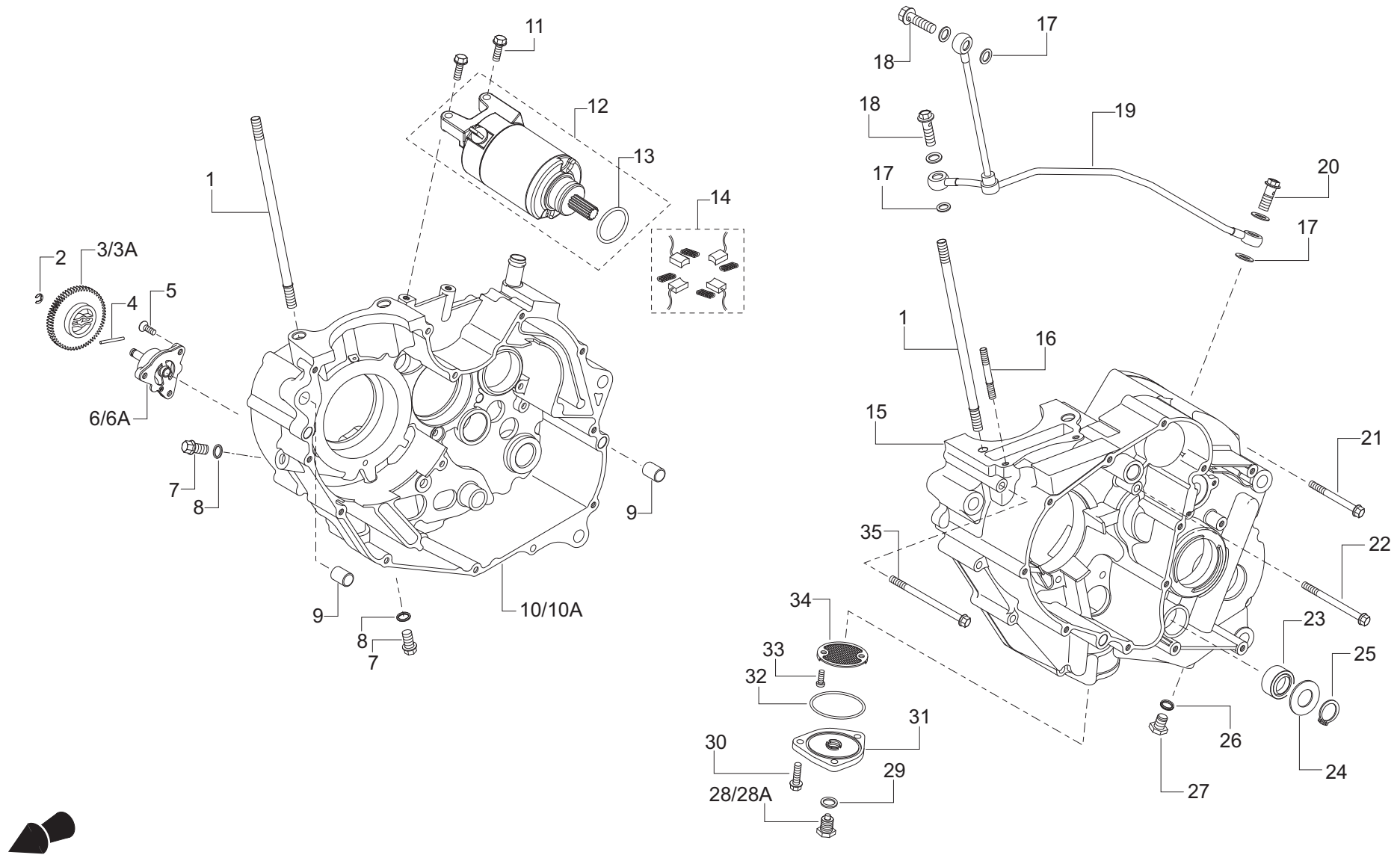
FIG. NO. 02

REF. NO.	PART NO.	DESCRIPTION	QUANTITY				REMARKS
			RTR 160 SD	RTR 160 DD	RTR 160 SD REF.	RTR 180 DD	
18A	N9323010	PISTON KIT - I O/S RTR 180				1	#
18B	N9323020	PISTON KIT - II O/S RTR 180				1	#
19	M1200760	WOODRUFF KEY (HALF ROUND TYPE)	1	1	1	1	
20	N3080170	KEY 4x4x15 (RECTANGULAR)	1	1	1	1	
21	M7020270	CRANKSHAFT ASSEMBLY RTR 160	1	1	1		
21A	N9020120	CRANKSHAFT ASSEMBLY RTR 180				1	
22	M7200530	BALL BEARING 35x72x17 NORMAL 6207	1	1	1	1	
23	M1200140	BALL BEARING 28x68x18 C3 NSK 63/28	1	1	1	1	
24	N9323680	CON ROD KIT RTR 160	1	1	1		#
24A		CON ROD KIT RTR 180				1	
25	M7322000	CYLINDER BLOCK & PISTON KIT RTR 160	1	1	1		#
25A	N9323000	CYLINDER BLOCK & PISTON KIT RTR 180				1	#

NOTE : # - For more details refer Kit details on Page 135

FIG. NO. 03

CRANKCASE ASSEMBLY



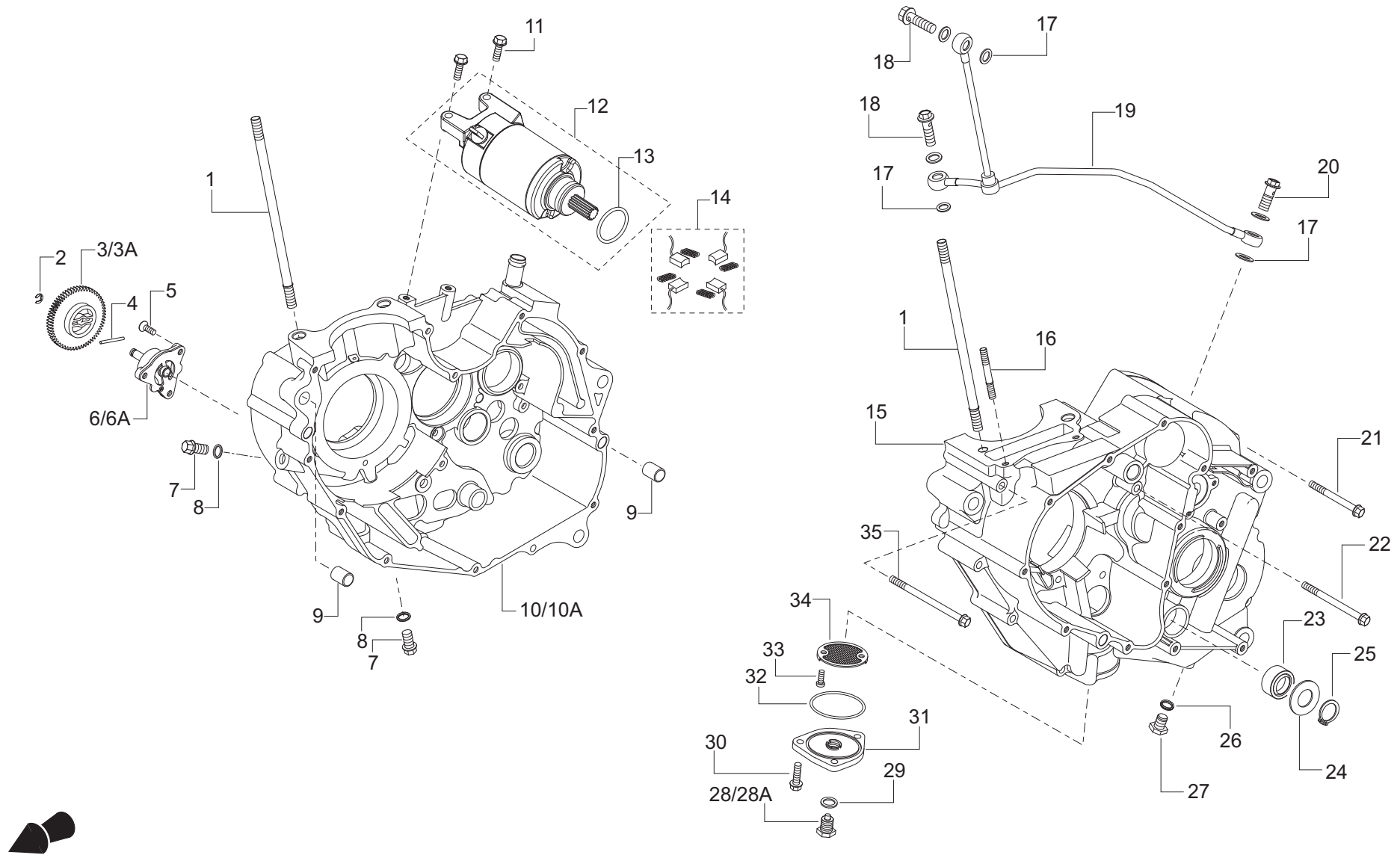
CRANKCASE ASSEMBLY

FIG. NO. 03

REF. NO.	PART NO.	DESCRIPTION	QUANTITY				REMARKS
			RTR 160 SD	RTR 160 DD	RTR 160 SD REF.	RTR 180 DD	
1	M1010400	BOLT CYLINDER STUD L142	4	4	4	4	
2	M1200730	CIRCLIP 6x0.8 (E-CLIP)	1	1	1	1	
3	M1081650	GEAR OIL PUMP DRIVEN	1	1			
3A	M7081220	GEAR OIL PUMP DRIVEN	1	1	1	1	
4	0064014	PIN CLUTCH SPG	1	1	1	1	
5	0332228	REC CSK HD SCR M6x16	3	3	3	3	
6	M1080030	PUMP ASSEMBLY OIL	1	1			
6A	N9080240	PUMP ASSEMBLY OIL	1	1	1	1	
7	M1200070	HEX FLANGE BOLT M10x12	2	2	2	2	
8	N2081600	GASKET OIL GALLERY PLUG	2	2	2	2	
9	S1200270	TUBULAR DOWEL	2	2	2	2	
10	M7322050	CRANKCASE ASSY R	1	1			
10A	N9322780	CRANKCASE ASSY R NEW	1	1	1	1	
11	M1200510	HEX FLANGE BOLT M6x25	2	2	2	2	
12	M1060060	STARTER MOTOR ASSY.	1	1	1	1	
13	R1321270	O' RING, STARTER MOTOR	1	1	1	1	
14	N9322340	KIT CARBON BRUSH WITH SPRING	1	1	1	1	
15	M70300707D	CRANKCASE COMP LH TITAN GREY	1	1	1	1	
16	M1200780	STUD BOLT CYLINDER HEAD	2	2	2	2	
17	M1080370	GASKET OIL PIPE UNION	6	6	6	6	
18	M1080380	UNION BOLT OIL PIPE	2	2	2	2	
19	M1010260	PIPE COMP. HEAD & T/M OIL	1	1	1	1	
20	M1081090	UNION BOLT OIL PIPE	1	1	1	1	
21	M7200730	HEX FLANGE BOLT M6x55	9	9	9	9	
22	M1200440	HEX FLANGE BOLT M6x75	3	3	3	3	

FIG. NO. 03

CRANKCASE ASSEMBLY



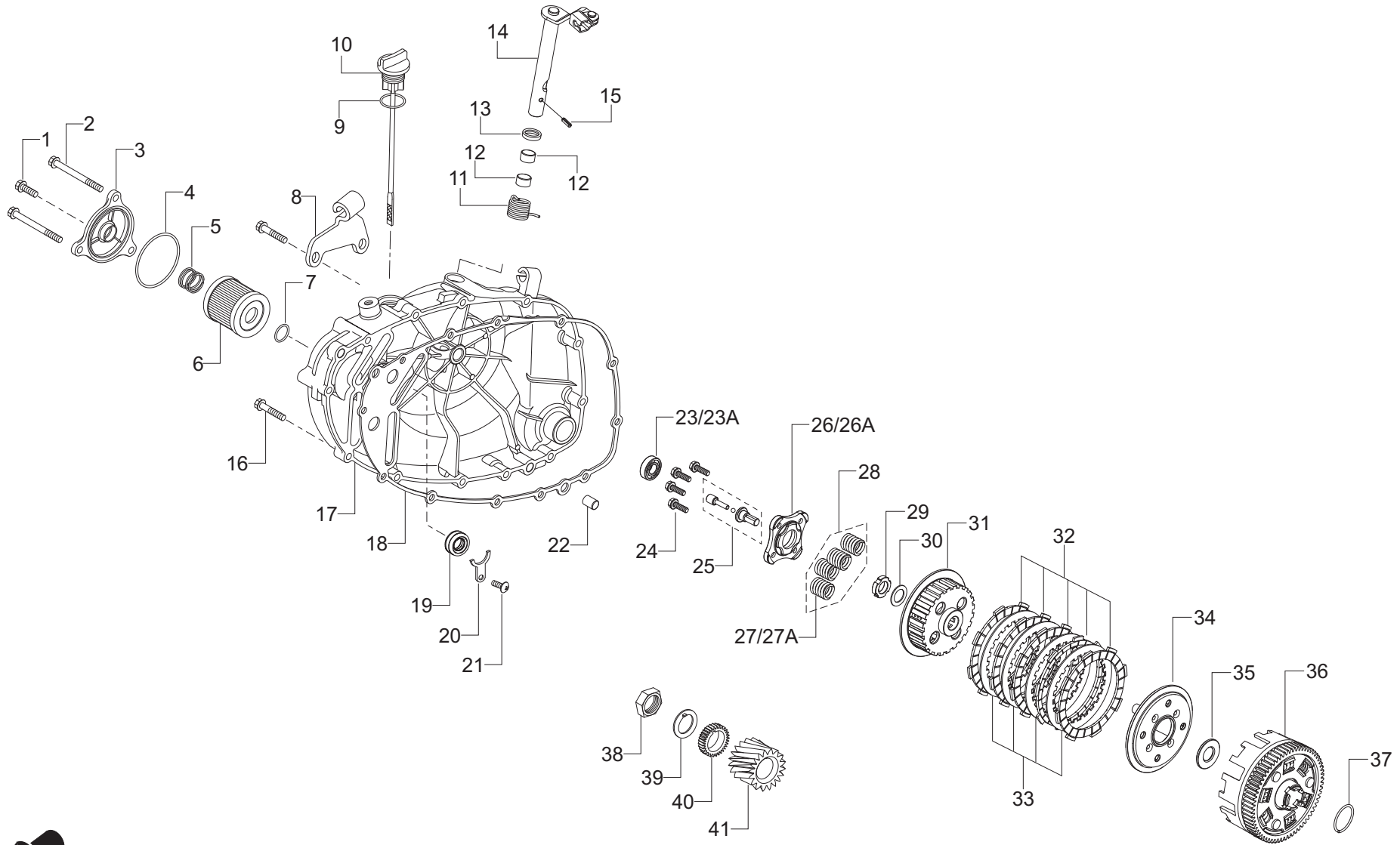
CRANKCASE ASSEMBLY

FIG. NO. 03

REF. NO.	PART NO.	DESCRIPTION	QUANTITY				REMARKS
			RTR 160 SD	RTR 160 DD	RTR 160 SD REF.	RTR 180 DD	
23	N2081720	OIL SEAL GEAR SHIFT SHAFT	1	1	1	1	
24	R1080780	SHIM 12x26 x1	1	1	1	1	
25	M1200870	CIRCLIP 12x1	1	1	1	1	
26	M1080420	GASKET TDC PLUG	1	1	1	1	
27	M1200080	HEX SCREW M12x10	1	1	1	1	
28	M1080580	PLUG OIL DRAIN	1	1			
28A	S1200900	PLUG COMP. OIL DRAIN	1	1	1	1	
29	S1011290	SEALING WASHER	1	1	1	1	
30	M1200530	HEX FLANGE BOLT M6x20	3	3	3	3	
31	M1080570	CAP OIL STRAINER	1	1	1	1	
32	M1080610	O-RING 60.5x2.4	1	1	1	1	
33	0331708	CRPH SCR M5x12 6.8 ZNB	2	2	2	2	
34	M1080560	STRAINER COMP. ENGINE OIL	1	1	1	1	
35	M1200450	HEX FLANGE BOLT M6x95	1	1	1	1	

FIG. NO. 04

CLUTCH & COVER CLUTCH ASSEMBLY



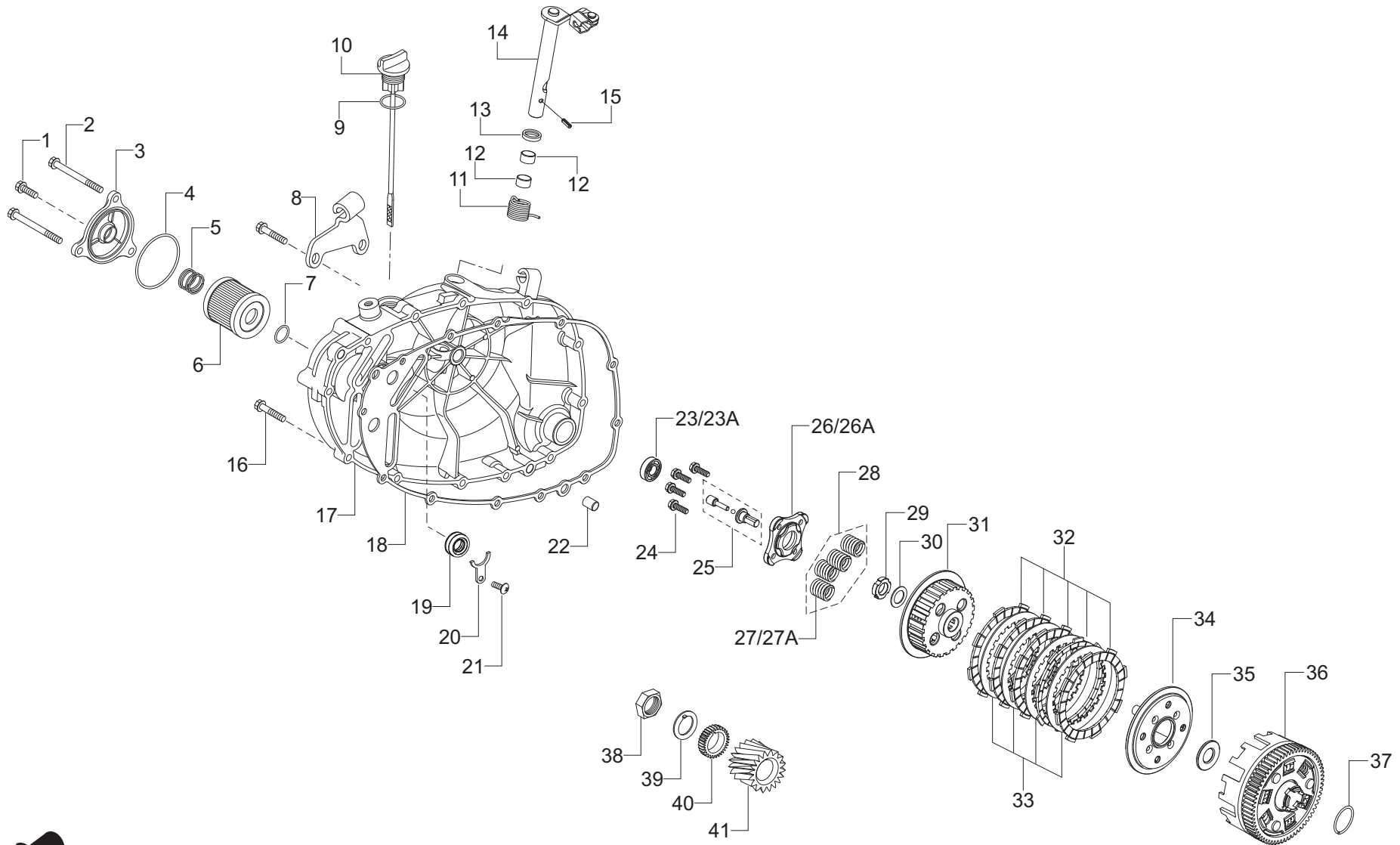
CLUTCH & COVER CLUTCH ASSEMBLY

FIG. NO. 04

REF. NO.	PART NO.	DESCRIPTION	QUANTITY				REMARKS
			RTR 160 SD	RTR 160 DD	RTR 160 SD REF.	RTR 180 DD	
1	M1200520	HEX FLANGE BOLT M6x16	1	1	1	1	
2	M1200540	HEX FLANGE BOLT M6x65	2	2	2	2	
3	M70809607D	CAP OIL FILTER PAINTED	1	1	1	1	
4	M1080600	O RING 52.6x2.4	1	1	1	1	
5	M1080620	SPRING OIL FILTER	1	1	1	1	
6	M1080540	FILTER COMPLETE ENGINE OIL	1	1	1	1	
7	M1080590	O RING 13x1.9	1	1	1	1	
8	M7070330	BRACKET CLUTCH CABLE	1	1	1	1	
9	M1080400	O RING 16.8x3.1	1	1	1	1	
10	N2081150	GAUGE OIL LEVEL	1	1	1	1	
11	M7070380	SPRING CLUTCH CABLE RETURN	1	1	1	1	
12	M7200510	BEARING BUSH 12x15x10	2	2	2	2	
13	M7200490	OIL SEAL 12x18x4	1	1	1	1	
14	M7070350	ROD COMP. CLUTCH RELEASE	1	1	1	1	
15	M7200500	SPRING DOWEL	1	1	1	1	
16	M1200470	HEX FLANGE BOLT M6x30	10	10	10	10	
17	M70304207D	COVER CLUTCH	1	1	1	1	
18	M1080330	GASKET CLUTCH COVER	1	1	1	1	
19	N2200550	OIL SEAL CRANKSHAFT R	1	1	1	1	
20	N9080670	RETAINER	1	1	1	1	
21	0331748	CRR PAN HEAD SCREW M6x16	1	1	1	1	
22	0074010	DOWEL PIN	2	2	2	2	
23	0339060	BALL BEARING 12x28x8	1	1			
23A	M1200380	BALL BEARING 15x32x9	1	1	1	1	
24	N2200500	HEX FLANGE BOLT M6x25 ZNG	4	4	4	4	

FIG. NO. 04

CLUTCH & COVER CLUTCH ASSEMBLY



CLUTCH & COVER CLUTCH ASSEMBLY

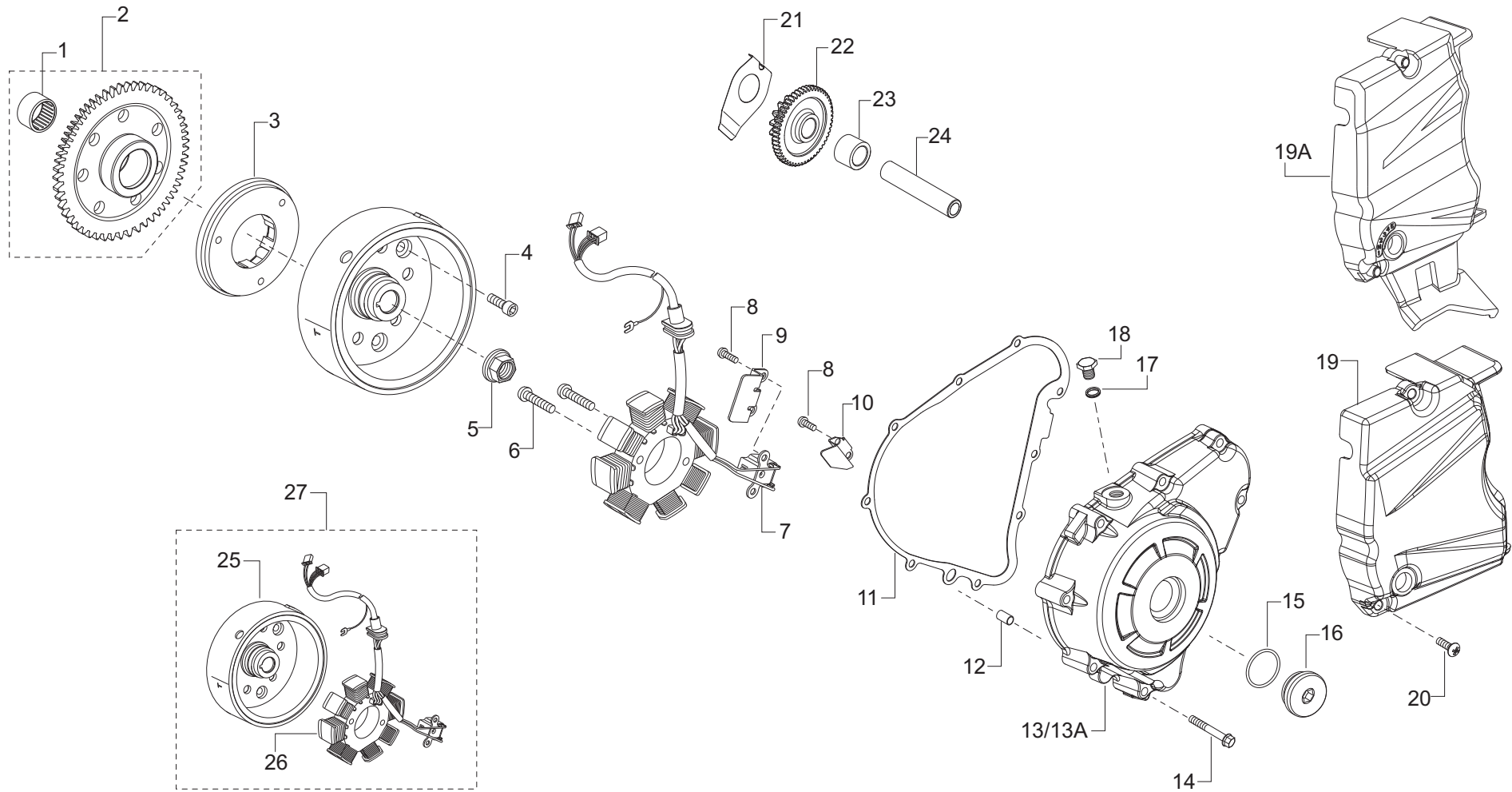
FIG. NO. 04

REF. NO.	PART NO.	DESCRIPTION	QUANTITY				REMARKS
			RTR 160 SD	RTR 160 DD	RTR 160 SD REF.	RTR 180 DD	
25	M7070130	PIN ASSY CLUTCH RELEASE	1	1	1	1	
26	N2070360	PLATE CLUTCH RELEASE	1	1			
26A	N9070120	PLATE CLUTCH RELEASE	1	1	1	1	
27	M7070440	SPRING CLUTCH	4	4			
27A	N1070010	SPRING CLUTCH	4	4	4	4	
28	M7322040	SET SPRING CLUTCH	1	1			
29	M7070100	NUT CLUTCH SHAFT	1	1	1	1	
30	M7070110	SPRING WASHER CLUTCH SHAFT	1	1	1	1	
31	M7070060	HUB CLUTCH	1	1	1	1	
32	M7321890	SET PLATE CLUTCH DRIVE (5 Nos)	1	1	1	1	#
33	M7321900	SET PLATE CLUTCH DRIVEN (4Nos)	1	1	1	1	#
34	N2070200	DISC CLUTCH PRESSURE	1	1	1	1	
35	M7070240	WASHER CLUTCH HUB	1	1	1	1	
36	M7080840	GEAR ASSY. PRIMARY DRIVEN	1	1	1	1	
37	3060510	CLIP PRIMARY DRN GR	1	1	1	1	
38	M1200250	HEX NUT M16x1.5	1	1	1	1	
39	M1080630	WASHER PRIMARY DRIVE GEAR	1	1	1	1	
40	M1080010	GEAR OIL PUMP DRIVE	1	1	1	1	
41	M1080080	GEAR PRIMARY DRIVE (21T)	1	1	1	1	

NOTE : # - For more details refer Kit details on Page 135

FIG. NO. 05

MAGNETO ASSEMBLY



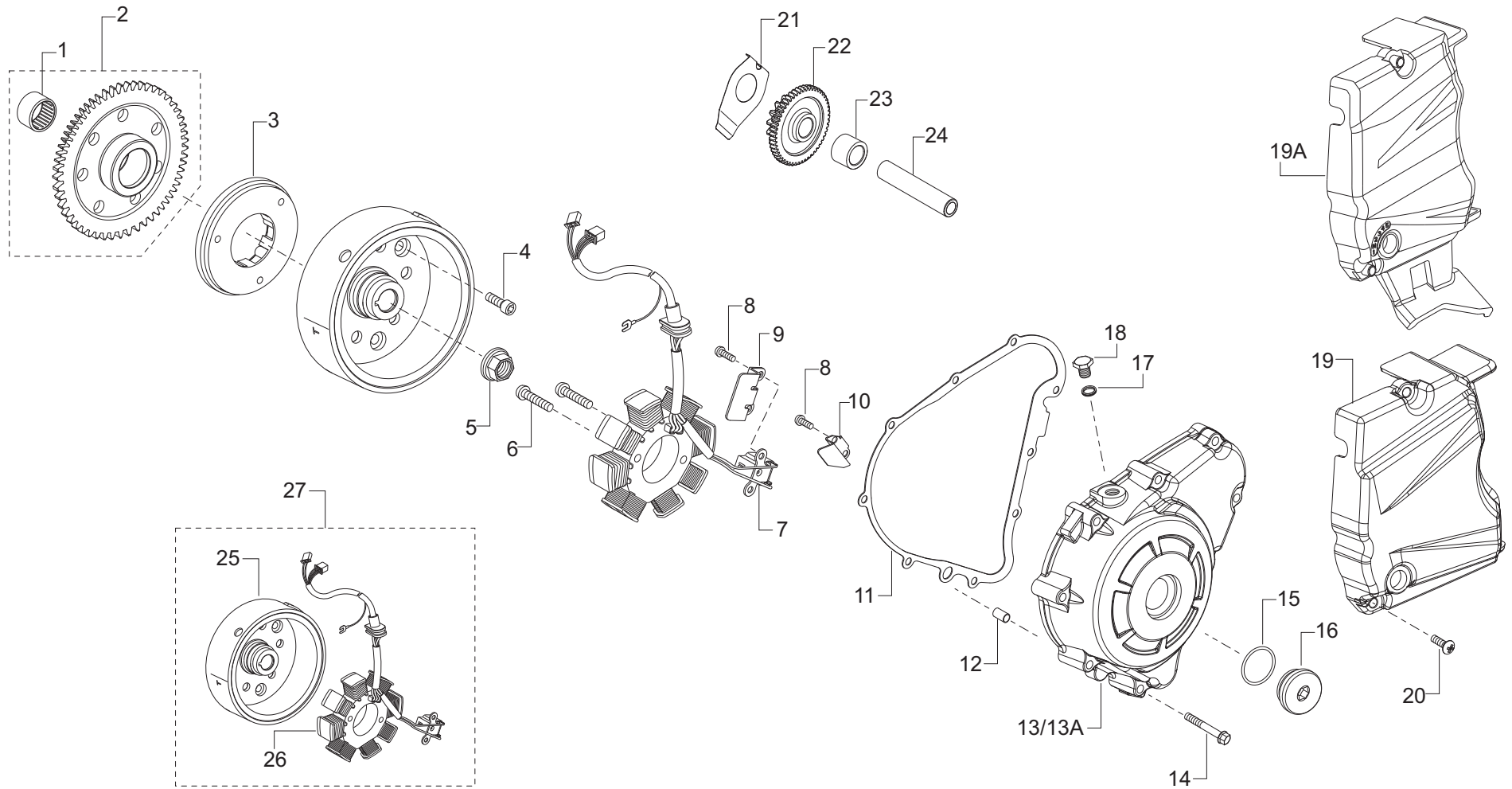
MAGNETO ASSEMBLY

FIG. NO. 05

REF. NO.	PART NO.	DESCRIPTION	QUANTITY				REMARKS
			RTR 160 SD	RTR 160 DD	RTR 160 SD REF.	RTR 180 DD	
1	M1200170	NEEDLE ROLLER BEARING 22x28X16	1	1	1	1	
2	M1080480	GEAR COMP. STARTER CLUTCH	1	1	1	1	
3	R1060110	CLUTCH STARTER ONE WAY	1	1	1	1	
4	M1200790	HEX SOCKET HEAD CAP SCREW M6	3	3	3	3	
5	M1200770	HEX FLANGE NUT M12x1.25	1	1	1	1	
6	M1200820	CRR PAN HEAD SCREW M6x25	2	2	2	2	
7	N9060320	PULSAR COIL	1	1	1	1	
8	0331708	CRR PAN HEAD SCREW M5x12	4	4	4	4	
9	M1121040	CLAMP MAGNETO LEAD -1	1	1	1	1	
10	M1070100	CLAMP MAGNETO LEAD - 2	1	1	1	1	
11	M1080320	GASKET MAGNETO COVER	1	1	1	1	
12	0074010	DOWEL PIN	2	2	2	2	
13	M70301707D	COVER MAGNETO	1	1	1	1	
14	M1200500	HEX FLANGE BOLT M6x40	9	9	9	9	
15	N2081690	O RING 22.7x3.1	1	1	1	1	
16	M7080980	PLUG CRANKSHAFT HOLE	1	1	1	1	
17	M1080420	GASKET TDC PLUG	1	1	1	1	
18	N2081680	PLUG TDC	1	1	1	1	
19	N92207207D	COVER ENGINE SPROCKET	1	1			
19A	N9081170	COVER ENGINE SPROCKET			1	1	
20	M1200670	CRR PAN HEAD SCREW SCREW M6x20	2	2	2	2	
21	N9080440	STOPPER RING GEAR	1	1	1	1	
22	M1080460	GEAR STARTER IDLE	1	1	1	1	
23	M1080490	SPACER STARTER IDLE GEAR	1	1	1	1	
24	M1080430	PIN MAGNETO COVER	1	1	1	1	

FIG. NO. 05

MAGNETO ASSEMBLY



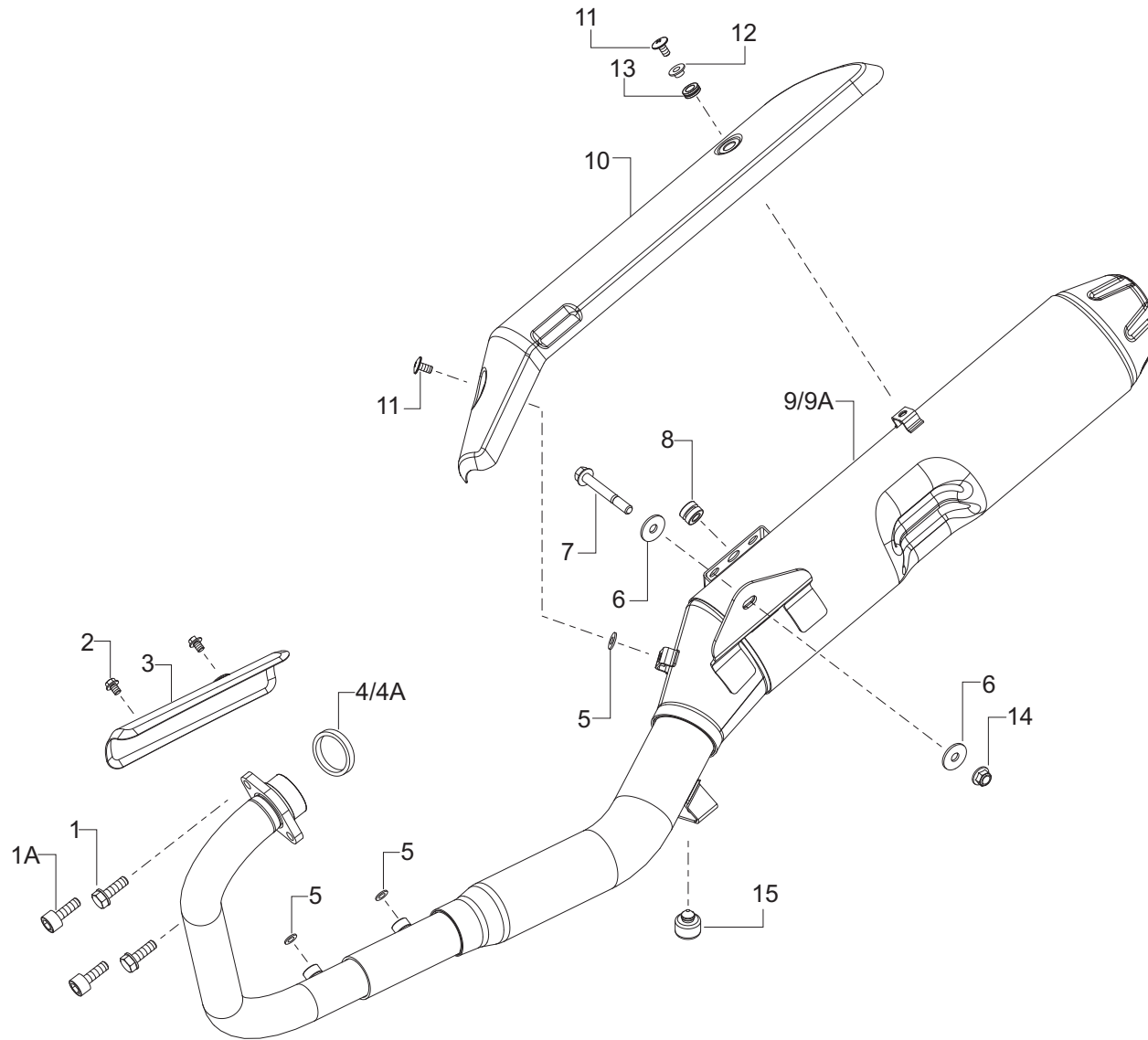
MAGNETO ASSEMBLY

FIG. NO. 05

REF. NO.	PART NO.	DESCRIPTION	QUANTITY				REMARKS
			RTR 160 SD	RTR 160 DD	RTR 160 SD REF.	RTR 180 DD	
25	N9321920	ROTOR ASSEMBLY	1	1	1	1	
26	N9322450	STATOR ASSEMBLY (8 POLES)	1	1	1	1	
27	N9060400	MAGNETO ASSEMBLY APACHE RTR	1	1	1	1	

FIG. NO. 06

MUFFLER ASSEMBLY



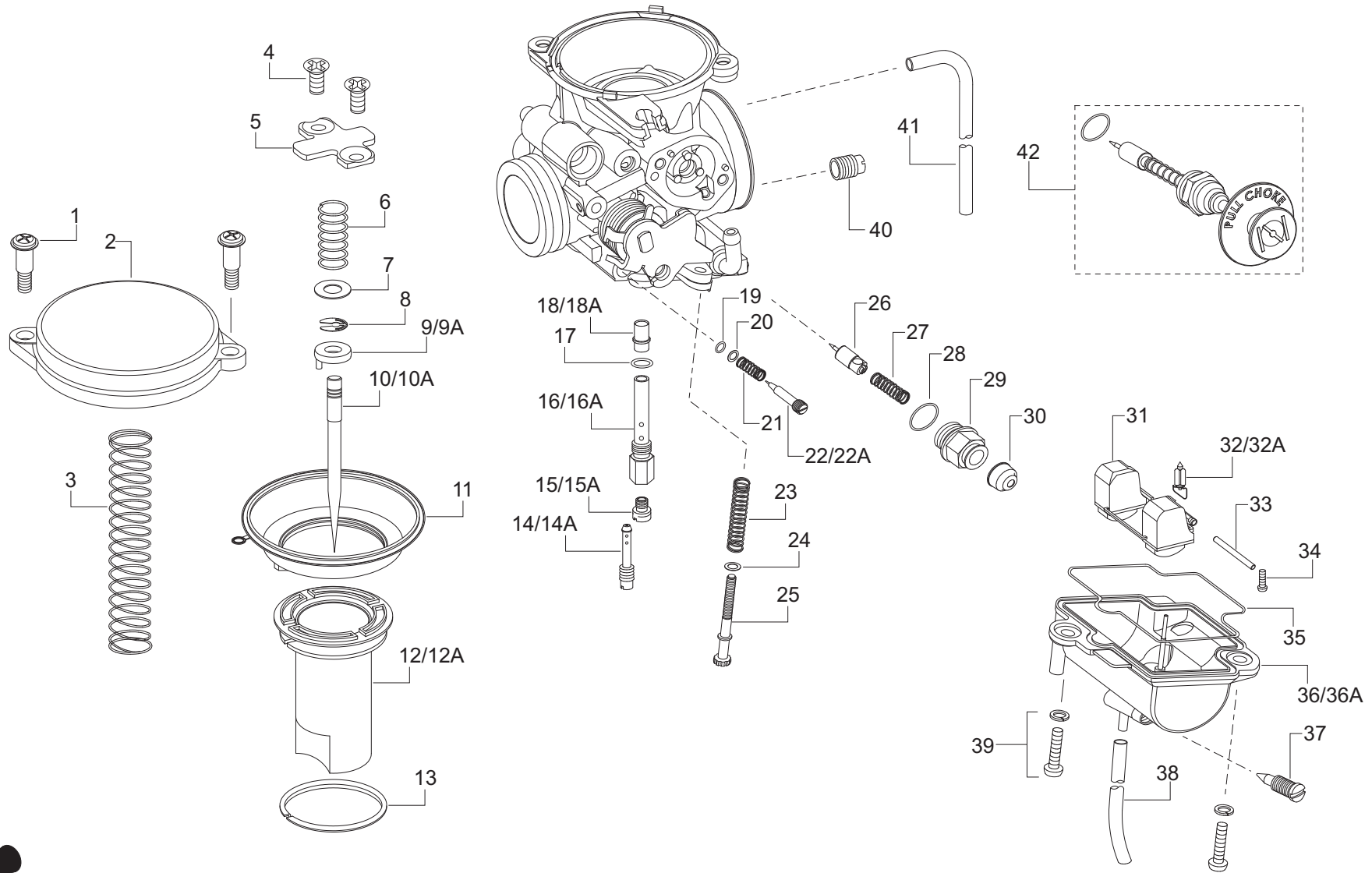
MUFFLER ASSEMBLY

FIG. NO. 06

REF. NO.	PART NO.	DESCRIPTION	QUANTITY				REMARKS
			RTR 160 SD	RTR 160 DD	RTR 160 SD REF.	RTR 180 DD	
1	M1200480	HEX FLANGE BOLT M8x25	2	2	2		
1A	N5200180	HEX SOCKET CAP SCREW M8x30				2	
2	N9200100	HEX FLANGE BOLT M6x8	2	2	2	2	
3	N9221200	GUARD EXHAUST FRONT	1	1	1	1	
4	M7051070	GASKET EXHAUST PIPE	1	1	1		
4A	N9053170	GASKET MUFFLER				1	
5	N8050690	INSULATOR, GUARD EXHAUST				3	
6	N3200210	PUNCHED WASHER 8.2x25x2	2	2	2	2	
7	N8200150	HEX BOLT M8x60	1	1	1	1	
8	N9051520	DAMPER BRACKET EXHAUST	1	1	1	1	
9	N9052440	MUFFLER COMP RTR 160	1	1	1		
9A	N9053180	MUFFLER WITHOUT GUARD RTR 180				1	
10	N9221180	MUFFLER GUARD REAR - RTR	1	1	1	1	
11	R1200220	SPL CRR PAN HEAD SCREW M6x12	2	2	2	2	
12	N9051860	CUP WASHER	1	1	1	1	
13	N9051850	CUSHION GUARD EXHAUST	1	1	1	1	
15	M1200890	HEX FLANGE U NUT M8x1.25	1	1	1	1	
15	S1125310	CUSHION	1	1	1	1	
16	N9052660	MUFFLER ASSY (WITH GUARD)	1	1	1		
16A	N9053160	MUFFLER ASSY (WITH GUARD)				1	

FIG. NO. 07

CARBURETTOR ASSEMBLY



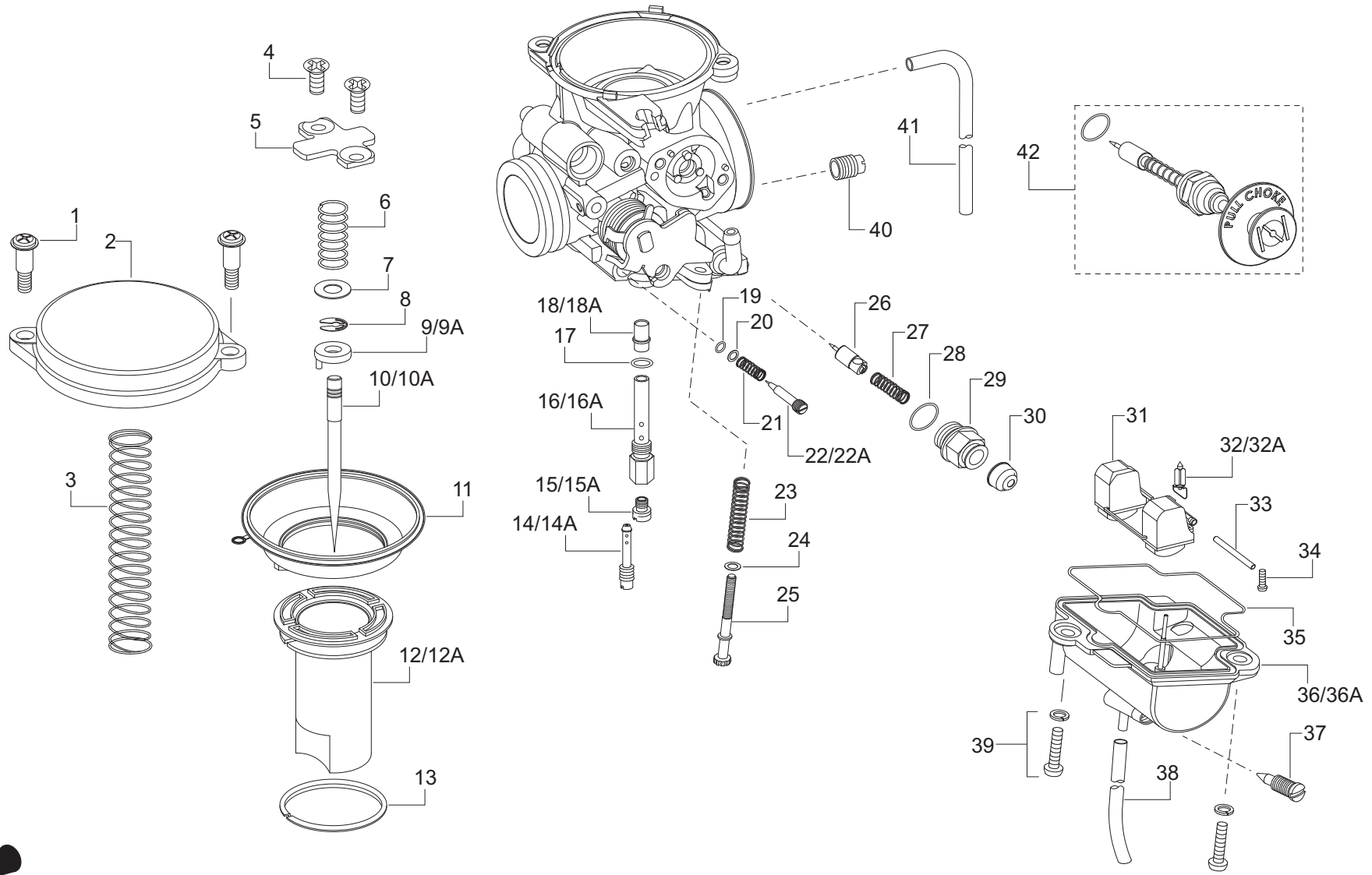
CARBURETTOR ASSEMBLY

FIG. NO. 07

REF. NO.	PART NO.	DESCRIPTION	QUANTITY				REMARKS
			RTR 160 SD	RTR 160 DD	RTR 160 SD REF.	RTR 180 DD	
1	M1040530	SCREW DIAPHRAGM COVER	2	2	2	2	
2	M1040190	COVER DIAPHRAGM (RTR 160)	1	1	1		
2A	N9323320	COVER DIAPHRAGM (RTR 180)				1	
3	M1040200	SPRING DIAPHRAGM	1	1	1	1	
4	M1040760	SCREW PLATE JET NEDDLE	2	2	2	2	
5	M1040910	PLATE JET NEEDLE	1	1	1	1	
6	M1040770	SPRING JET NEDDLE	1	1	1	1	
7	M1040780	PACKING JET NEEDLE	1	1	1	1	
8	M1040250	E- RING JET NEEDLE	1	1	1	1	
9	M7321280	RING JET NEEDLE (RTR 160)	1	1	1		
9A	N9322960	RING JET NEEDLE (RTR 180)				1	
10	M7321290	JET NEEDLE (NEEDLE) (RTR 160)	1	1	1		
10A	N9322870	JET NEEDLE (NEEDLE) (RTR 180)				1	
11	M1040220	DIAPHRAGM	1	1	1	1	
12	N9321970	PISTON VALVE (RTR 160)	1	1	1		
12A	N9322880	PISTON VALVE (RTR 180)				1	
13	M1040800	RING PISTON VALVE	1	1	1	1	
14	N9322000	PILOT JET - 15 (RTR 160)	1	1	1		
14A	N9322920	PILOT JET - 20 (RTR 180)				1	
15	N9321990	MAIN JET - 105 (RTR 160)	1	1	1		
15A	N9322910	MAIN JET - 125 (RTR 180)				1	
16	M7321310	JET HOLDER (RTR 160)	1	1	1		
16A	N9322900	JET HOLDER (RTR 180)				1	
17	M1040810	O RING JET HOLDER	1	1	1	1	
18	M7320260	NEEDLE JET (JET) (RTR 160)	1	1	1		

FIG. NO. 07

CARBURETTOR ASSEMBLY



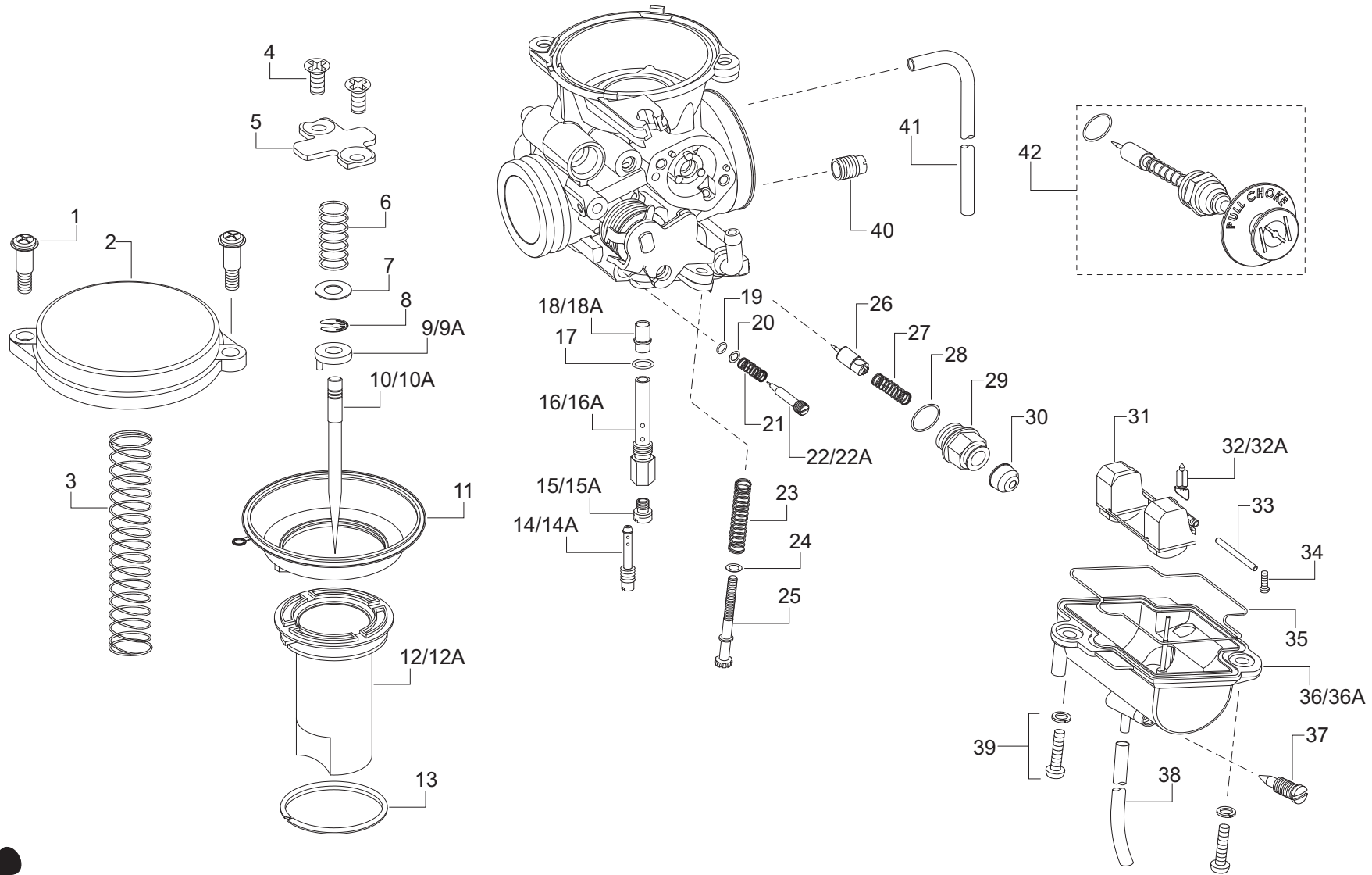
CARBURETTOR ASSEMBLY

FIG. NO. 07

REF. NO.	PART NO.	DESCRIPTION	QUANTITY				REMARKS
			RTR 160 SD	RTR 160 DD	RTR 160 SD REF.	RTR 180 DD	
18A	N9322890	NEEDLE JET (JET) (RTR 180)				1	
19	M1040430	O RING MCS	1	1	1	1	
20	M1040420	WASHER MCS	1	1	1	1	
21	M1040410	SPRING MCS	1	1	1	1	
22	M7321300	MIXTURE CONTROL SCREW (MCS) (RTR 160)	1	1	1		
22A	N9322940	MIXTURE CONTROL SCREW (MCS) (RTR 180)				1	
23	M1040490	SPRING IDLING SCREW	1	1	1	1	
24	M1040470	PACKING IDLING SCREW	1	1	1	1	
25	M1040460	IDLING SCREW	1	1	1	1	
26	M1040370	PLUNGER STARTER	1	1	1	1	
27	M1040380	SPRING STARTER	1	1	1	1	
28	M1040870	O RING STARTER	1	1	1	1	
29	M1040390	GUIDE HOLDER ASSEMBLY	1	1	1	1	
30	M1040570	CAP STARTER	1	1	1	1	
31	M1040340	FLOAT ASSEMBLY	1	1	1	1	
32	M1040270	NEEDLE VALVE ASSEMBLY (RTR 160)	1	1	1		
32A	N9322950	NEEDLE VALVE ASSEMBLY (RTR 180)				1	
33	M1040290	PIN FLOAT	1	1	1	1	
34	M1040280	SCREW VALVE SEAT	1	1	1	1	
35	M1040820	SEAL BOWL	1	1	1	1	
36	M1040300	FLOAT BODY ASSEMBLY	1	1	1		
36A	N9322930	FLOAT BODY ASSEMBLY				1	
37	M1040440	SCREW DRAIN	1	1	1	1	
38	M7321340	HOSE DRAIN	1	1	1	1	
39	M1040540	SCREW FLOAT CHAMBER	2	2	2	2	

FIG. NO. 07

CARBURETTOR ASSEMBLY



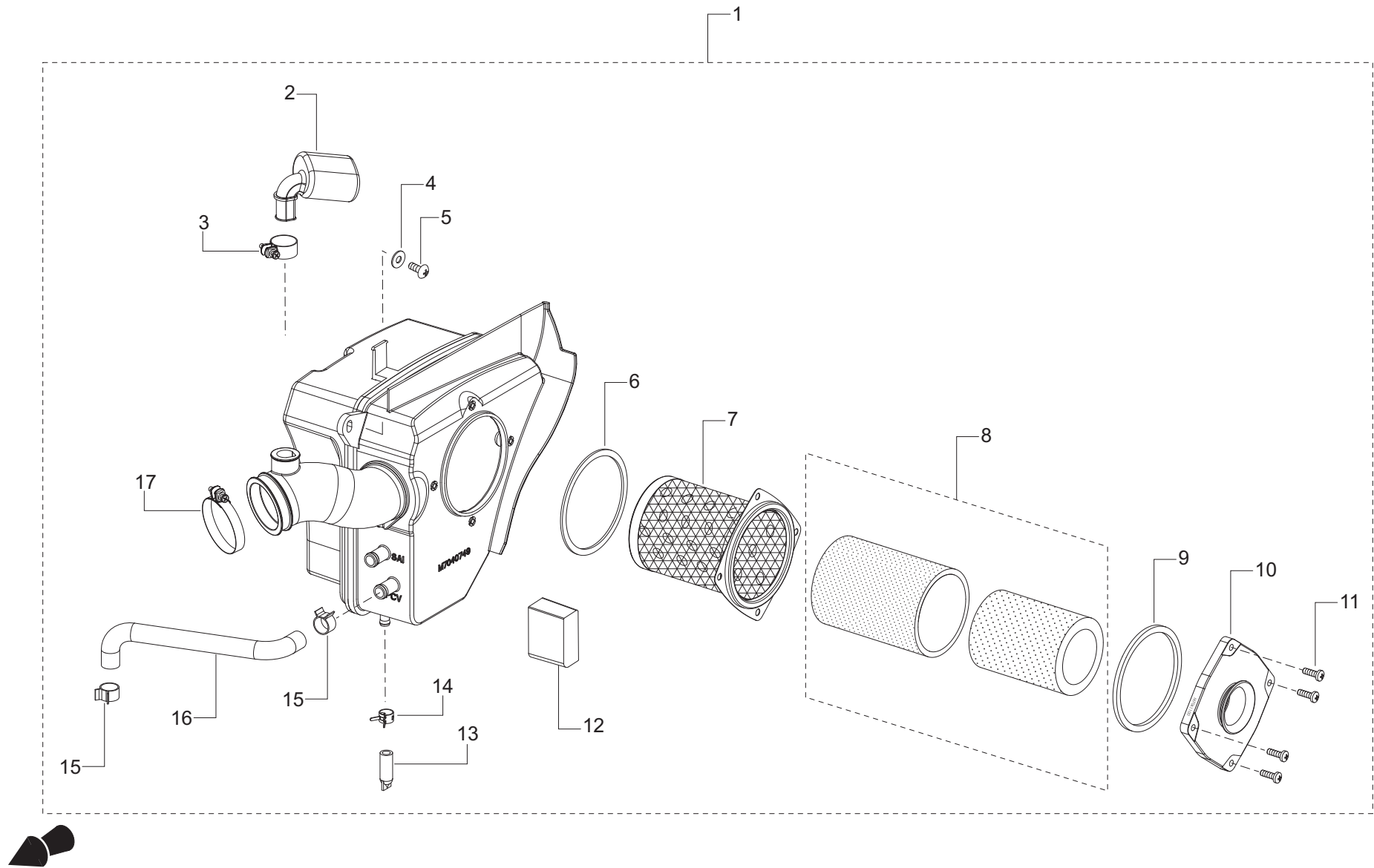
CARBURETTOR ASSEMBLY

FIG. NO. 07

REF. NO.	PART NO.	DESCRIPTION	QUANTITY				REMARKS
			RTR 160 SD	RTR 160 DD	RTR 160 SD REF.	RTR 180 DD	
40	M1041070	AIRJET (PAJ 2) - 1.7	1	1	1	1	
41	M7321350	HOSE AIR VENT	1	1	1	1	
42	N9324480	PLUNGER ASSY KIT			1	1	
43	N9041380	CARBURETTOR ASSY.	1	1			
43A	N9041380N	CARBURETTOR ASSY RTR 160 (PLUNGER TYP)			1		
43B	N9041400N	CARBURETTOR ASSY RTR 180 (PLUNGER TYP)				1	

FIG. NO. 08

AIR CLEANER ASSEMBLY



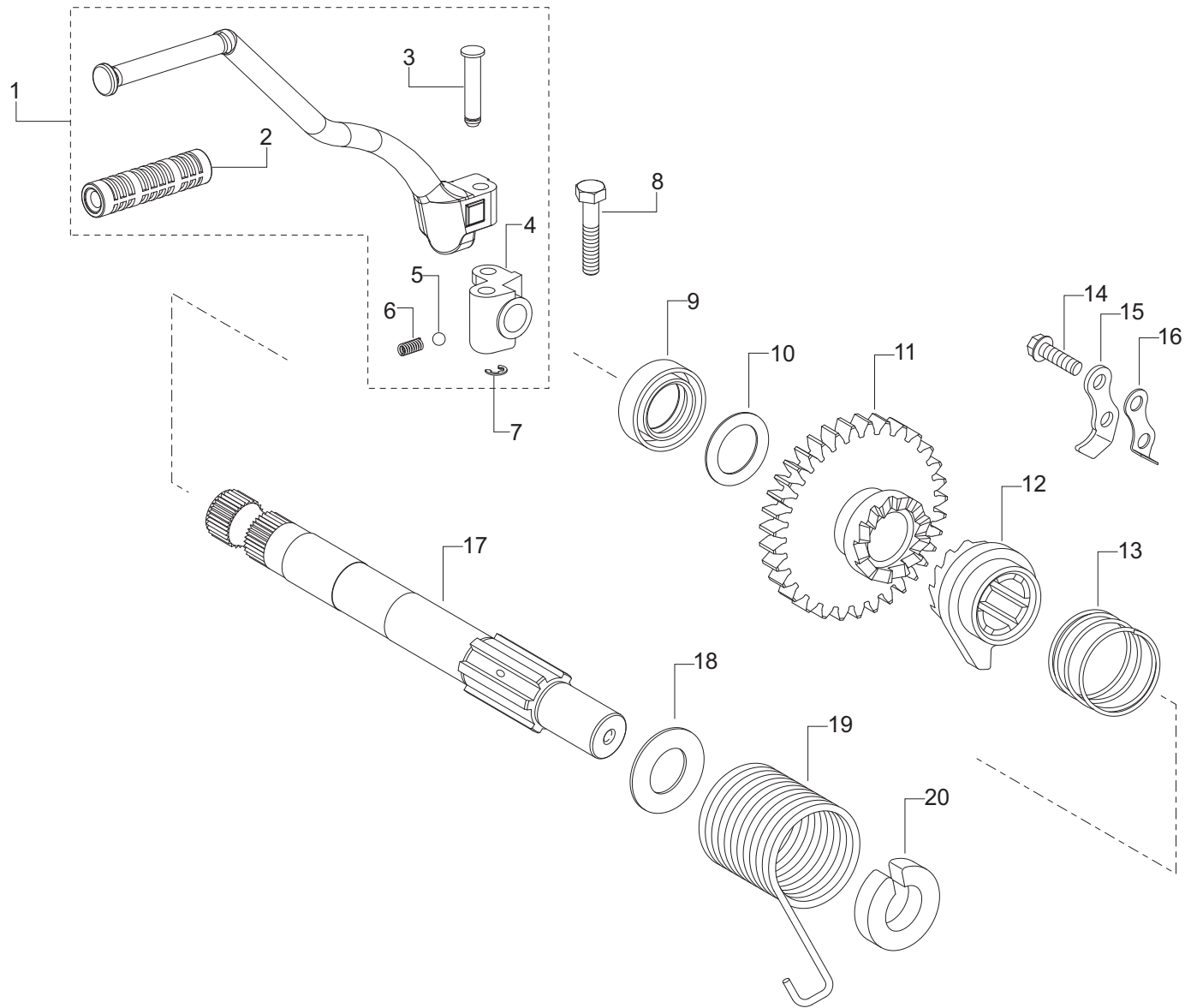
AIR CLEANER ASSEMBLY

FIG. NO. 08

REF. NO.	PART NO.	DESCRIPTION	QUANTITY				REMARKS
			RTR 160 SD	RTR 160 DD	RTR 160 SD REF.	RTR 180 DD	
1	M7041070	AIR CLEANER ASSEMBLY	1	1	1	1	
2	M7040780	INLET RESONATOR	1	1	1	1	
3	M7040820	HOSE CLIP DIA 18	1	1	1	1	
4	0335608	PUNCHED WASHER 6.5x16x1.2	2	2	2	2	
5	0332275	CRR PAN HEAD SCREW	2	2	2	2	
6	M1040610	GASKET TRAP FLAME	1	1	1	1	
7	M1040170	TRAP COMP. FLAME	1	1	1	1	
8	M1040700	FILTER COMP. AIR CLEANER	1	1	1	1	
9	M1040670	GASKET INLET	1	1	1	1	
10	M7041090	INLET COMP. AIR CLEANER	1	1	1	1	
11	M1200660	CRR PAN HEAD SCREW M5x16	4	4	4	4	
12	M7040790	FOAM SAI	1	1	1	1	
13	N3040360	DRAIN PIPE	1	1	1	1	
14	M7041030	HOSE CLIP DRAIN PIPE	1	1	1	1	
15	K140820	HOSE CLIP	2	2	2	2	
16	M7041000	BREATHER HOSE PCV	1	1	1	1	
17	M1040630	CLAMP OUTLET PIPE	1	1	1	1	

FIG. NO. 09

KICK STARTER ASSEMBLY



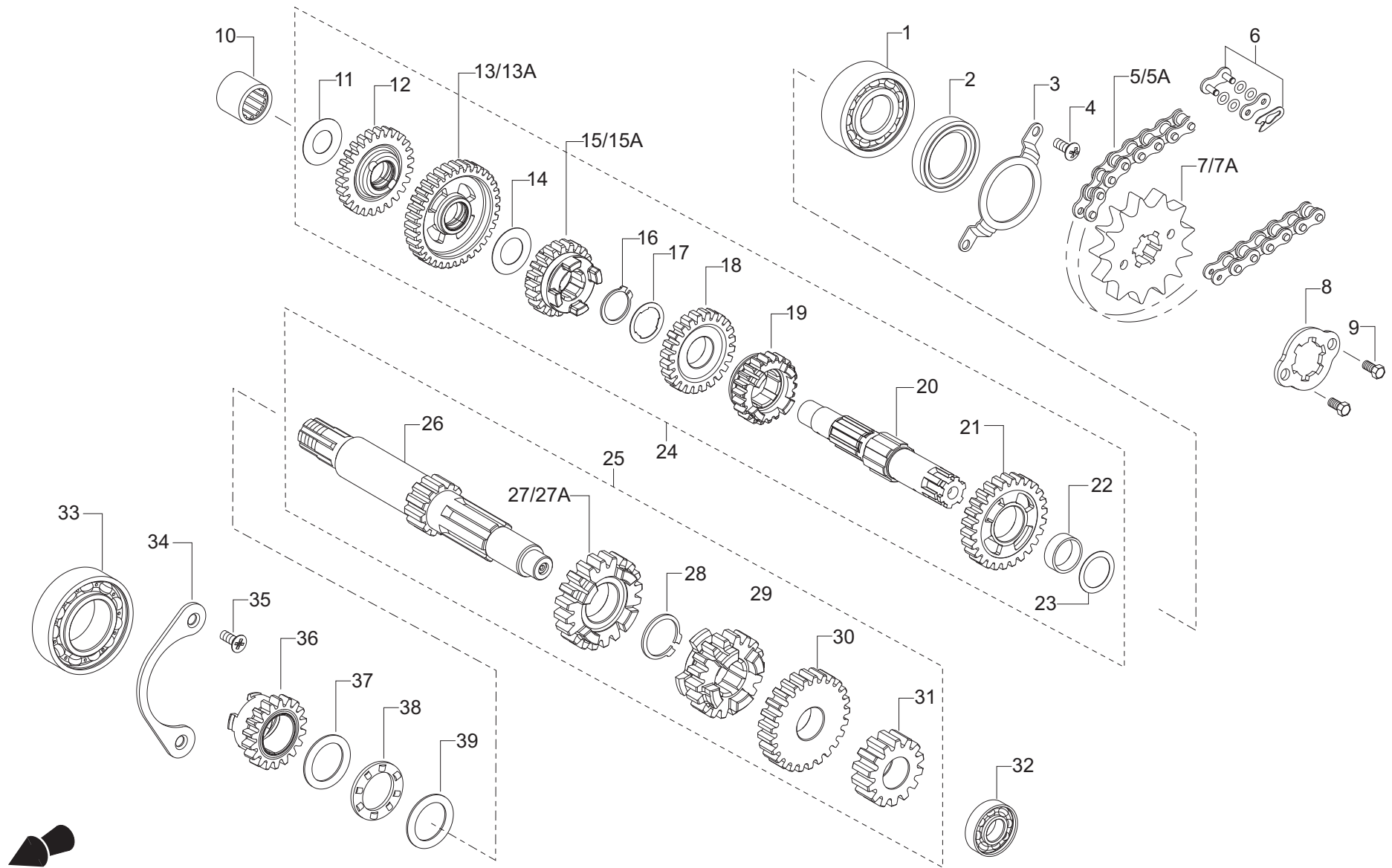
KICK STARTER ASSEMBLY

FIG. NO. 09

REF. NO.	PART NO.	DESCRIPTION	QUANTITY				REMARKS
			RTR 160 SD	RTR 160 DD	RTR 160 SD REF.	RTR 180 DD	
1	M7081500	LEVER ASSY. KICK STARTER	1	1	1	1	
2	N2081760	RUBBER KICK STARTER LEVER	1	1	1	1	
3	N2081450	PIN LEVER ASSY. KICK STARTER	1	1	1	1	
4	M7081950	JOINT KICK STARTER	1	1	1	1	
5	N2081440	BALL LEVER ASSY. K S LEVER	1	1	1	1	
6	N2081430	SPRING LEVER ASSY. KICK STARTER	1	1	1	1	
7	N3200240	CIRCLIP - TYPE E	1	1	1	1	
8	S1101250	HEX BOLT M8x35	1	1	1	1	
9	0249550	OIL SEAL KICK STARTER SHAFT	1	1	1	1	
10	0335714	SHIM 16x30x0.5	1	1	1	1	
11	M7080570	GEAR KICK STARTER DRIVE	1	1	1	1	
12	M1080890	STARTER KICK APACHE	1	1	1	1	
13	M1080930	SPRING KICK STARTER	1	1	1	1	
14	M1201190	HEX SCREW M6x30	2	2	2	2	
15	M1080900	GUIDE KICK STARTER	1	1	1	1	
16	N2081650	STOPPER KICK STARTER	1	1	1	1	
17	M7080740	SHAFT KICK STARTER	1	1	1	1	
18	M1200700	SHIM 14x32x1	1	1	1	1	
19	M1080940	SPRING KICK SHAFT RETURN	1	1	1	1	
20	N3080270	GUIDE KICK STARTER SPRING	1	1	1	1	

FIG. NO. 10

TRANSMISSION ASSEMBLY



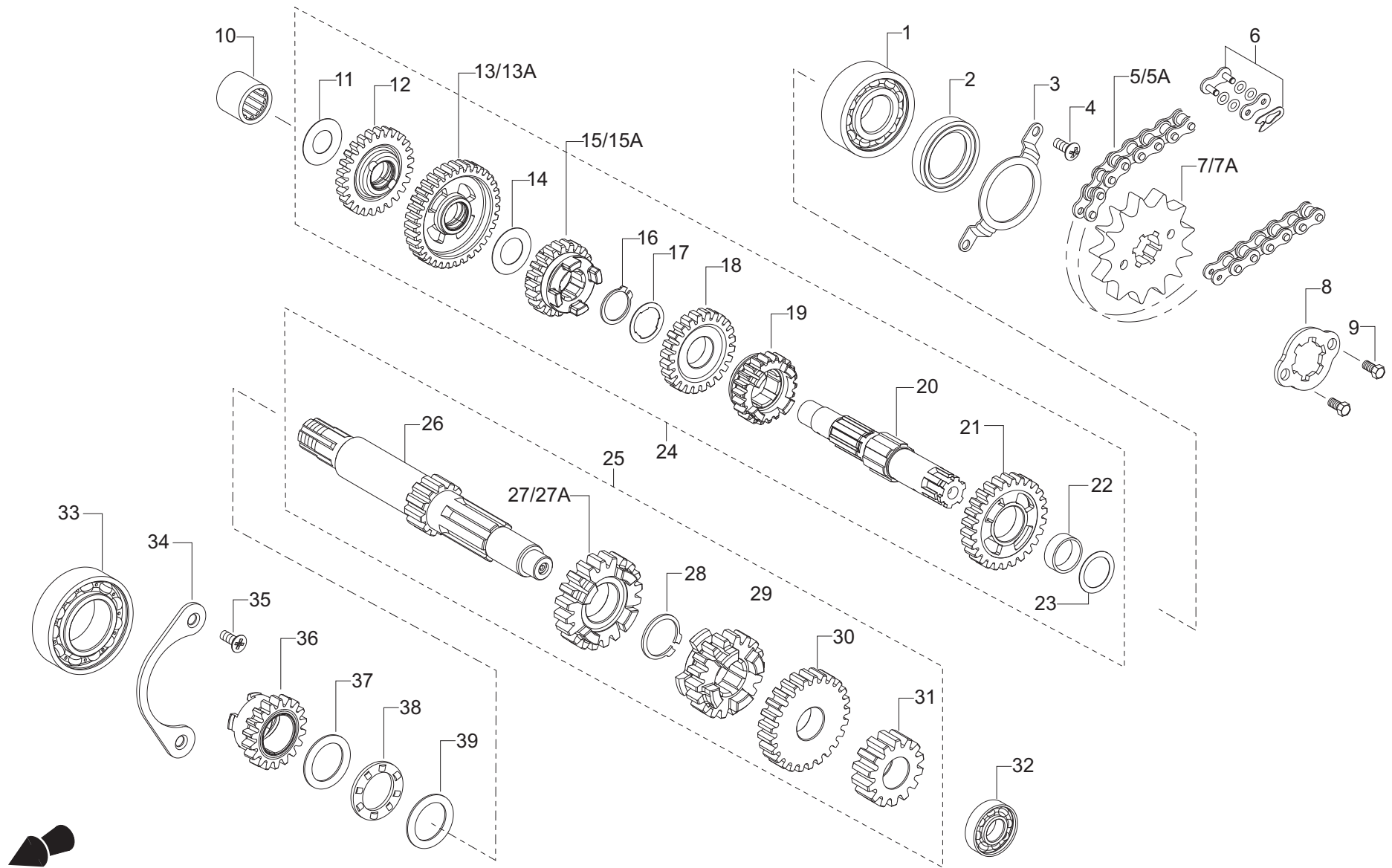
TRANSMISSION ASSEMBLY

FIG. NO. 10

REF. NO.	PART NO.	DESCRIPTION	QUANTITY				REMARKS
			RTR 160 SD	RTR 160 DD	RTR 160 SD REF.	RTR 180 DD	
1	M1200260	BALL BEARING 20x47x14 C3 6204 RS	1	1	1	1	
2	M7200250	OIL SEAL 20x40x6	1	1	1	1	
3	M7081100	RETAINER OILSEAL DRIVE SHAFT	1	1	1	1	
4	M1200810	CRR PAN HD SCREW M6x10 5.8 ZNG	2	2	2	2	
5	N9112610	DRIVE CHAINN WITH O RING - RTR 160 (124 LINKS)	1	1	1		
5A	N9112830	DRIVE CHAINN WITH O RING - RTR 180 (130 LINKS)				1	
6	N9322720	CONNECTING LINK CHAIN	1	1	1	1	
7	M7080920	SPROCKET ENGINE 13T	1	1	1		
7A	N9080250	SPROCKET ENGINE 14T				1	
8	M7080870	LOCK PLATE ENGINE SPROCKET	1	1	1	1	
9	M1200940	HEX SCREW M5x10	2	2	2	2	
10	M7200260	NEEDLE ROLLER BEARING 15x23x12	1	1	1	1	
11	0335014	SHIM 15x30x1.0	1	1			
12	M7080400	GEAR COMP. KICK START. IDLE (26T)	1	1	1	1	
13	M7080340	GEAR COMP. 1ST DRIVEN	1	1			
13A	R1080800	GEAR COMP 1ST DRIVEN		1	1	1	
14	M7200420	SHIM	1	1	1	1	
15	M7080310	GEAR 4TH DRIVEN	1	1			
15A	R1081130	GEAR 4TH DRIVEN		1	1	1	
16	0330174	CIRCLIP 20x1.2	1	1	1	1	
17	M7080860	SHIM	1	1	1	1	
18	M7080280	GEAR 3RD DRIVEN	1	1	1	1	
19	M7080320	GEAR 5TH DRIVEN	1	1	1	1	
20	M7081300	SHAFT COMP. DRIVE	1	1	1	1	
21	M7080890	GEAR 2ND DRIVEN (27T)	1	1	1	1	

FIG. NO. 10

TRANSMISSION ASSEMBLY



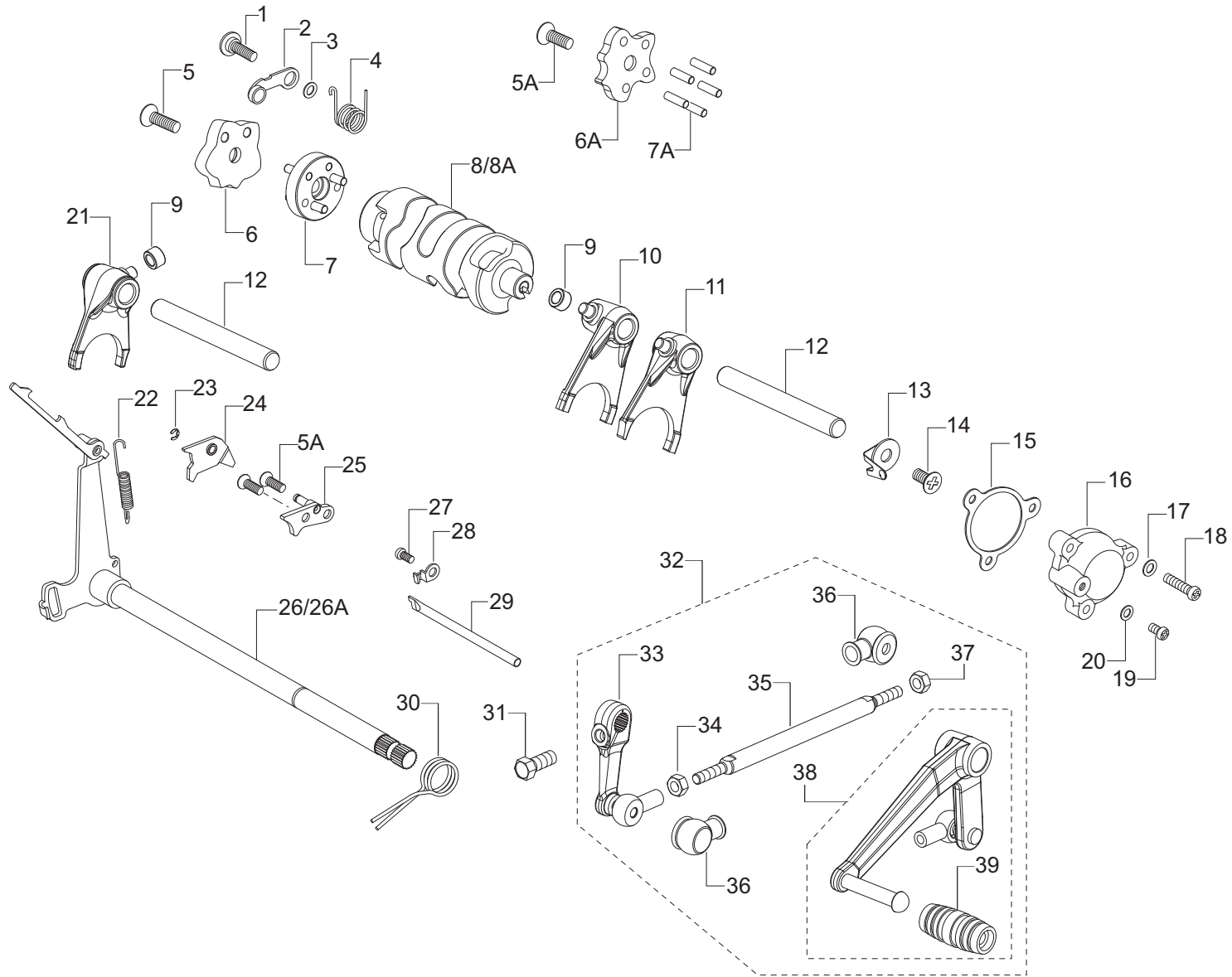
TRANSMISSION ASSEMBLY

FIG. NO. 10

REF. NO.	PART NO.	DESCRIPTION	QUANTITY				REMARKS
			RTR 160 SD	RTR 160 DD	RTR 160 SD REF.	RTR 180 DD	
22	N5080060	BUSH IST DRIVEN	1	1	1	1	
23	M7200040	THRUST WASHER	1	1	1	1	
24	M7080450	DRIVE SHAFT SET	1	1	1	1	
25	M7080460	COUNTER SHAFT ASSY.	1	1	1	1	
26	M7080439	SHAFT COMP. COUNTER	1	1	1	1	
27	M7080309	GEAR 4TH DRIVE	1	1			
27A	R1081120	GEAR 4TH DRIVE		1	1	1	
28	0330174	CIRCLIP	1	1	1	1	
29	M7080339	GEAR 3RD DRIVE	1	1	1	1	
30	M7080299	GEAR 5TH DRIVE	1	1	1	1	
31	M7080269	GEAR 2ND DRIVE	1	1	1	1	
32	M1200300	BALL BEARING 12x28x8 C3 6001 RS	1	1	1	1	
33	M1200290	BALL BEARING 30x55x13 C3 6006	1	1	1	1	
34	M7080530	RETAINER COUNTER BEARING	1	1	1	1	
35	0332238	RECESSED CSK HEAD SCREW M6x12	2	2	2	2	
36	M7080370	GEAR COMP. KICK STARTER DRIVEN	1	1	1	1	
37	M7200460	THRUST WASHER	1	1	1	1	
38	C8080260	BEARING KS DRIVEN GEAR	1	1	1	1	
39	M7200430	SHIM	1	1	1	1	
40	N9322710	CHAIN AND SPROCKET KIT-RTR160-13/44/124L "O RING"	1	1	1		#
40A	N9323050	CHAIN AND SPROCKET KIT-RTR180-14/46/130L "O RING"				1	#
41	M7321580	OIL SEAL KIT	1	1	1	1	#

FIG. NO. 11

GEAR SHIFT MECHANISM



GEAR SHIFT MECHANISM

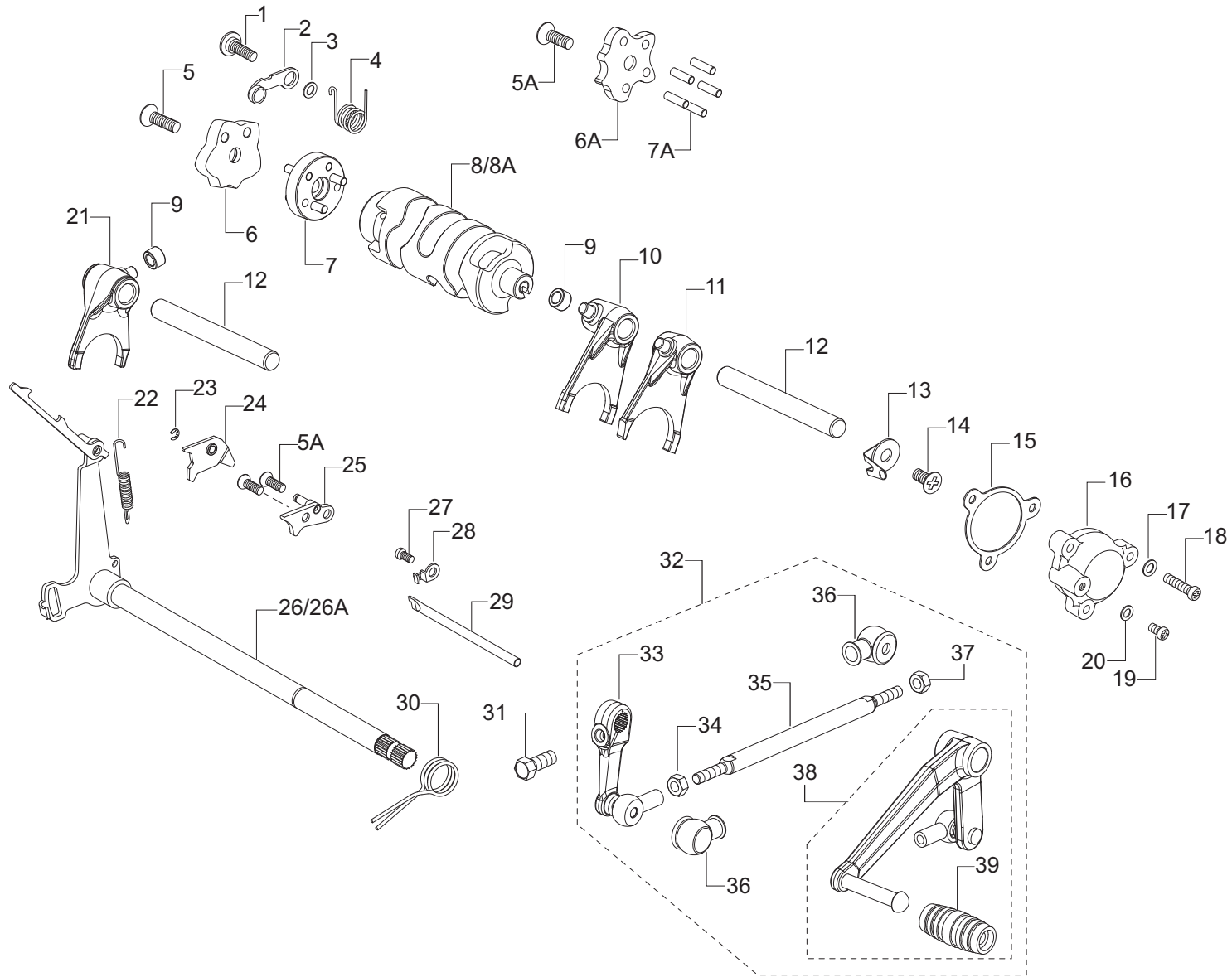
FIG. NO. 11

REF. NO.	PART NO.	DESCRIPTION	QUANTITY				REMARKS
			RTR 160 SD	RTR 160 DD	RTR 160 SD REF.	RTR 180 DD	
1	M1080830	BOLT GEAR SHIFT CAM STOPPER	1	1	1	1	
2	M6080090	STOPPER COMPLETE GEAR SHIFT	1	1	1	1	
3	M1200690	SHIM 6x14x1	1	1	1	1	
4	M7081290	SPRING GEAR SHIFT CAM STOPPER	1	1	1	1	
5	0332248	REC CSK HEAD SCREW M6x20	1	1	1	1	**
5A	0332228	REC CSK HD SCREW M6x16	3				
6	M8081810	INDEX STAR (NEW)	1	1	1	1	**
6A	M7081320	INDEX STAR	1				
7	M7081820	PIN HOLDER (NEW)	1	1	1	1	**
7A	3044034	ROLLER CAM DRIVE (LONG)	5				
8	M7081800	CAM GEAR SHIFT (NEW)	1	1	1	1	**
8A	M7080560	CAM GEAR SHIFT	1				
9	N2081570	SPACER ROLLER GEAR SHIFT FORK PIN	3	3	3	3	
10	M7080590	FORK GEAR SHIFT No.2	1	1	1	1	
11	M7080580	FORK GEAR SHIFT No.1	1	1	1	1	
12	M7080520	SHAFT SHIFT FORK	2	2	2	2	
13	N2060100	CONTACT COMP. GEAR SHIFT SWITCH	1	1	1	1	
14	0332238	RECESSED CSK HEAD SCREW	1	1	1	1	
15	M7081850	GASKET GEAR SHIFT SWITCH	1	1	1	1	
16	M7081860	BODY GEAR SHIFT SWITCH	1	1	1	1	
17	420010700	PUNCHED WASHER	3	3	3	3	
18	0331718	CRPH SCREW M5x16	3	3	3	3	
19	0332018	CRR PAN SCREW M3x4	1	1	1	1	
20	0335548	PUNCHED WASHER 3.3x8x.5	1	1	1	1	
21	M7080470	FORK GEAR SHIFT HIGH SPEED	1	1	1	1	

NOTE : ** - EFFECTIVE FROM FRAME NO. MD634LE5392A04614

FIG. NO. 11

GEAR SHIFT MECHANISM



GEAR SHIFT MECHANISM

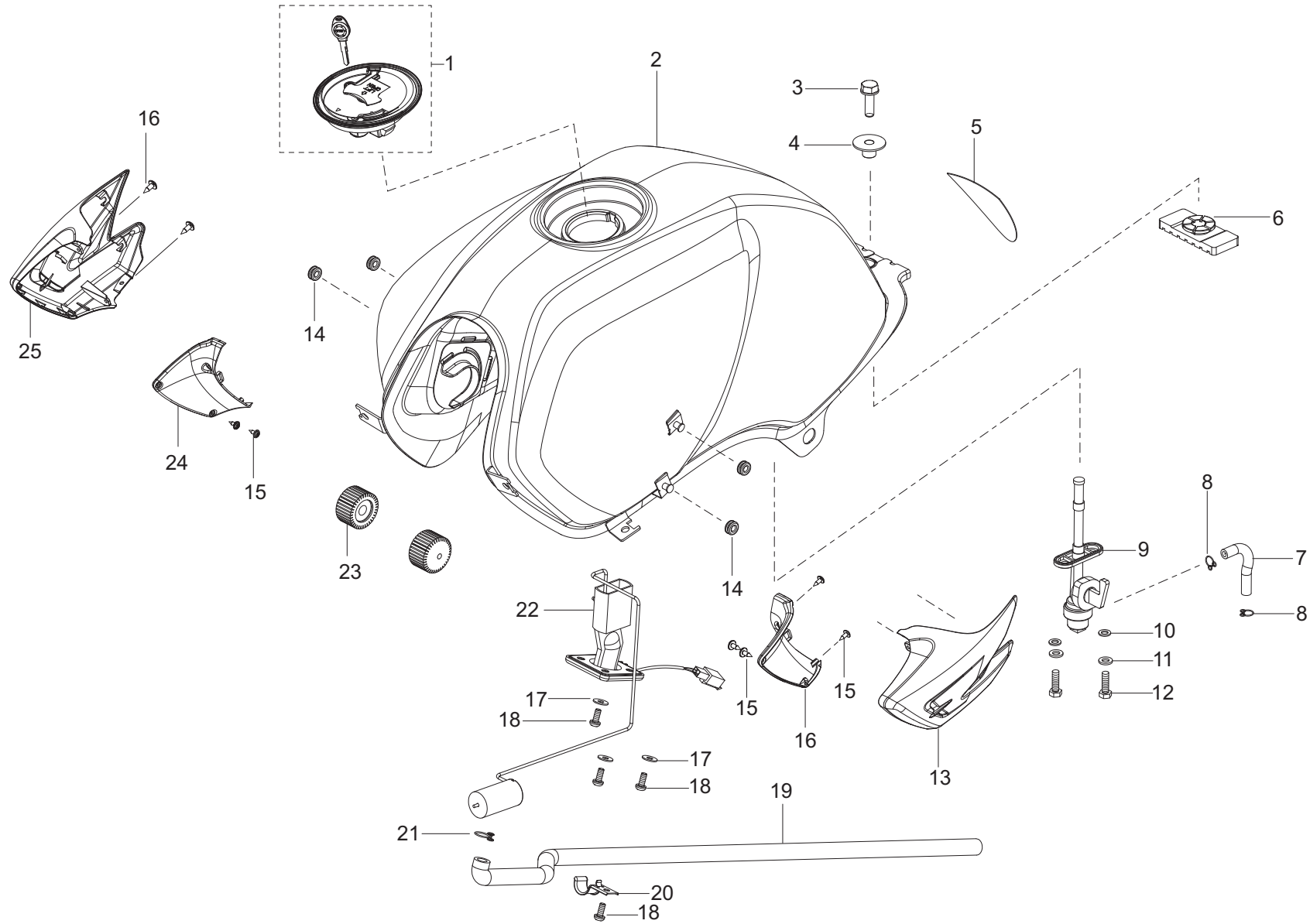
FIG. NO. 11

REF. NO.	PART NO.	DESCRIPTION	QUANTITY				REMARKS
			RTR 160 SD	RTR 160 DD	RTR 160 SD REF.	RTR 180 DD	
22	3040510	SPRING GEAR SHIFT STARTER	1	1	1	1	
23	8200320	CIRCLIP 5.0	1				
24	8081460	ARRESTOR PLATE COMPLETE	1				
25	C8080200	GUIDE COMP. GEAR SHIFT	1				
26	M7081790	SHAFT COMP. GEAR SHIFT	1	1	1	1	**
26A	M1081450	SHAFT COMP. GEAR SHIFT	1				
27	P200270	CRR PAN HD SCREW M6x12 5.8 ZNG	1	1	1	1	
28	M1080740	RETAINER T/M OIL GUIDE	1	1	1	1	
29	M7080690	GUIDE T/M OIL	1	1	1	1	
30	M7081840	SPRING GEAR SHIFT RETURN	1	1	1	1	
31	420462700	HEX SCREW M6x20	1	1	1	1	
32	M7081650	GEAR SHIFT LINKAGE ASSY.	1	1	1	1	
33	M7081400	LINK GEAR SHIFT ASSY.	1	1	1	1	
34	M7200550	HEX NUT M6, LH	1	1	1	1	
35	M7081370	STUD GEAR SHIFT	1	1	1	1	
36	M7081450	GROMMET	2	2	2	2	
37	420305700	HEX NUT M6	1	1	1	1	
38	M7081640	LEVER ASSY. GEARSHIFT	1	1	1	1	
39	M7081740	RUBBER GEAR SHIFT LEVER	1	1	1	1	

NOTE : ** - Effective from frame no. MD634LE5392A04614

FIG. NO. 12

FUEL TANK ASSEMBLY



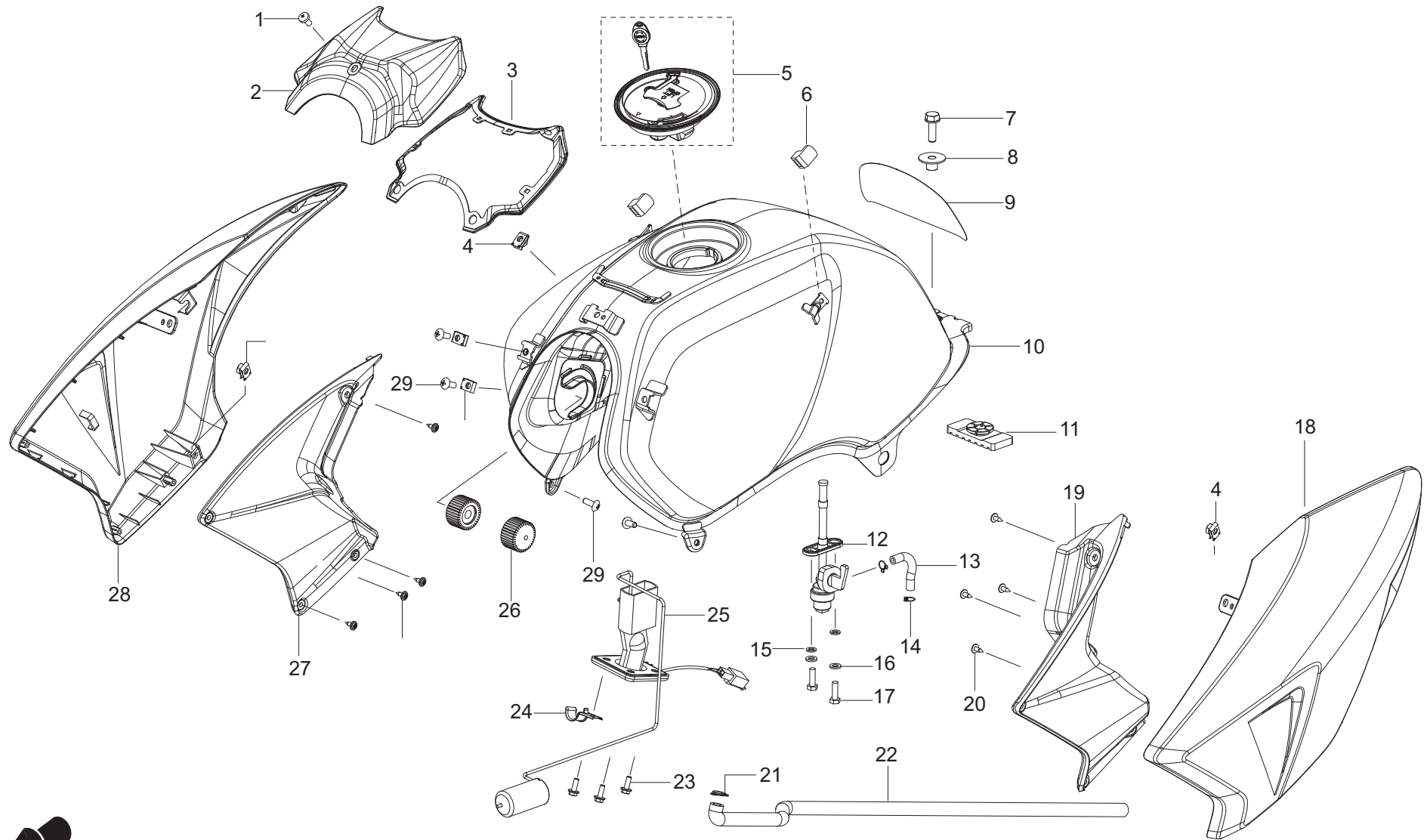
FUEL TANK ASSEMBLY

FIG. NO. 12

REF. NO.	PART NO.	DESCRIPTION	QUANTITY				REMARKS
			RTR 160 SD	RTR 160 DD	RTR 160 SD REF.	RTR 180 DD	
1	N9140470	CAP FUEL TANK	1	1			
2	————→	FUEL TANK COMP.	1	1			REF. PAGE 129
3	M1200480	HEX FLANGE BOLT M8x25	1	1			
4	N9140540	BUSH FUEL TANK REAR MTG.	1	1			
5	N3210190	STICKER PROTECTION	1	1			
6	N9140530	CUSHION FUEL TANK REAR MTG.	1	1			
7	M1140220	HOSE, FUEL	1	1			
8	414147000	HOSE CLIP	2	2			
9	N9140670	FUEL COCK ASSY.	1	1			
10	N3140120	GASKET FUEL COCK	2	2			
11	420001700	PUNCHED WASHER	2	2			
12	420462700	HEX SCREW M6x20	2	2			
13	————→	COVER FUEL TANK LH		1			REF. PAGE 129
14	N9141000	CUSHION COVER FUEL TANK		4			
15	N3200340	CRR FL. PAN HEAD TAP SCR 4.2x13		8			
16	N92218595D	COVER FUEL TANK INNER LH		1			
17	0335558	PUNCHED WASHER	3	3			
18	0331718	CRPH SCR M5x16	4	4			
19	N9140650	HOSE FUEL TANK	1	1			
20	N9140700	HOSE GUIDE	1	1			
21	M1040650	HOSE CLIP	1	1			
22	N9161700	FUEL SENDER ASSY.	1	1			
23	N2140060	CUSHION FUEL TANK FRONT	2	2			
24	N92218695D	COVER FUEL TANK INNER RH		1			
25	————→	COVER FUEL TANK RH		1			REF. PAGE 129

FIG. NO. 12A

FUEL TANK ASSEMBLY



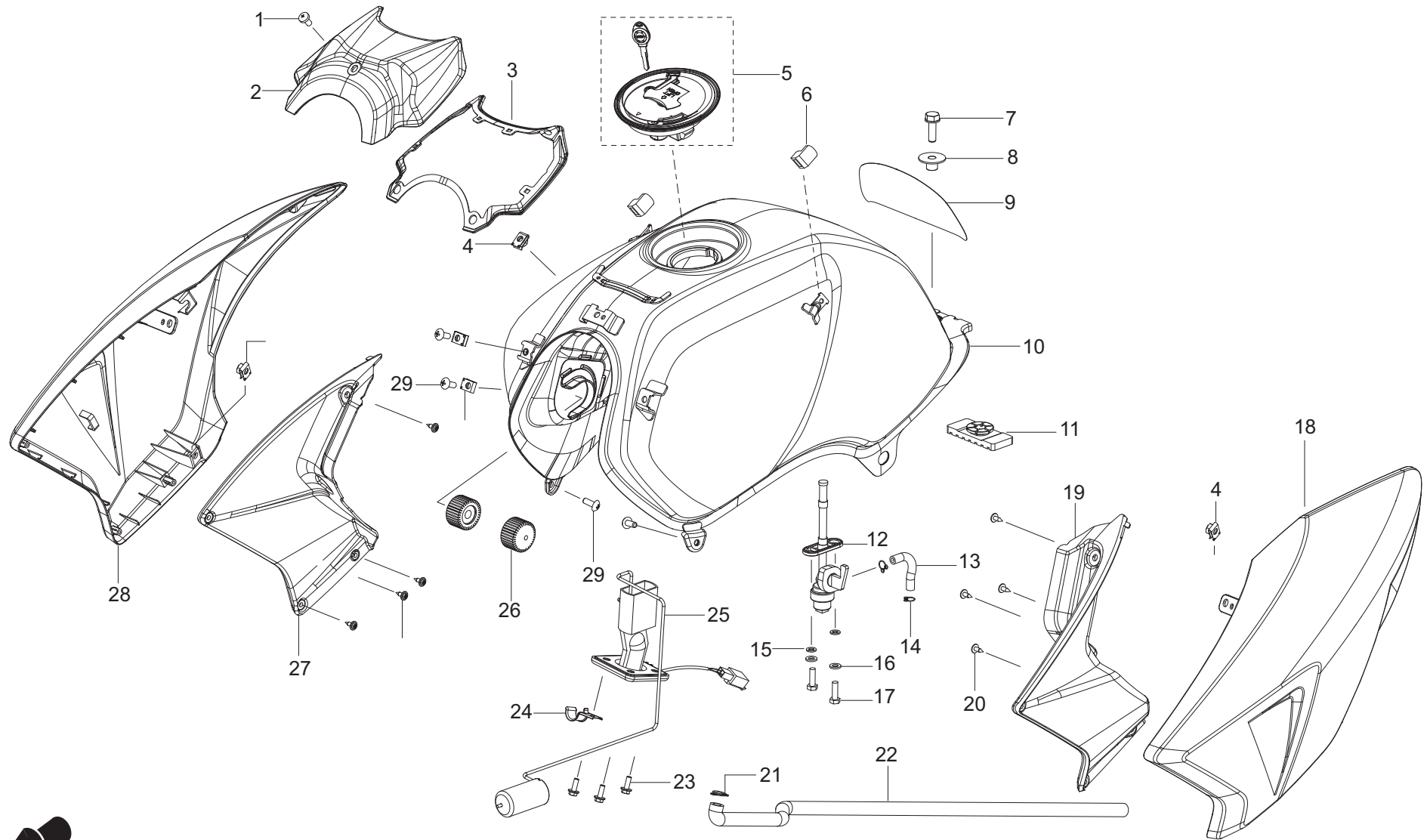
FUEL TANK ASSEMBLY

FIG. NO. 12A

REF. NO.	PART NO.	DESCRIPTION	QUANTITY				REMARKS
			RTR 160 SD	RTR 160 DD	RTR 160 SD REF.	RTR 180 DD	
1	P3200010	CRR PAN HEAD SCREW M6x12			1	1	
2	N9223920	COVER FUEL TANK ASSY UPR (APACHE REF)			1	1	
3	N9223380	BEADING COVER FUEL TANK TOP			1	1	
4	K3200840	RETAINER CLIP NUT M6			5	5	
5	N9140470	CAP FUEL TANK			1	1	
6	N9223110	GROMMET FUEL TANK (APACHE REF)			1	1	
7	M1200480	HEX FLANGE BOLT M8x25			1	1	
8	N9140540	BUSH FUEL TANK REAR MTG.			1	1	
9	N9224850	STICKER PROTECTION			1	1	
10	————→	FUEL TANK COMP.			1	1	REF. PAGE 129
11	N9140530	CUSHION FUEL TANK REAR MTG.			1	1	
12	N9140670	FUEL COCK ASSY.			1	1	
13	M1140220	HOSE, FUEL			1	1	
14	414147000	HOSE CLIP			2	2	
15	N3140120	GASKET FUEL COCK			2	2	
16	420001700	PUNCHED WASHER			2	2	
17	420462700	HEX SCREW M6x20			2	2	
18	————→	COVER FUEL TANK OUTER LH			1	1	REF. PAGE 129
19	N9222890	COVER FUEL TANK INNER LH			1	1	
20	N3200340	CRR FL. PAN HEAD TAP SCR 4.2x13			8	8	
21	M1040650	HOSE CLIP			1	1	
22	N9140650	HOSE FUEL TANK			1	1	
23	R1200380	HEX FLANGE BOLT M5X14			4	4	
24	N9140700	HOSE GUIDE			1	1	
25	N9161700	FUEL SENDER ASSY.			1	1	

FIG. NO. 12A

FUEL TANK ASSEMBLY



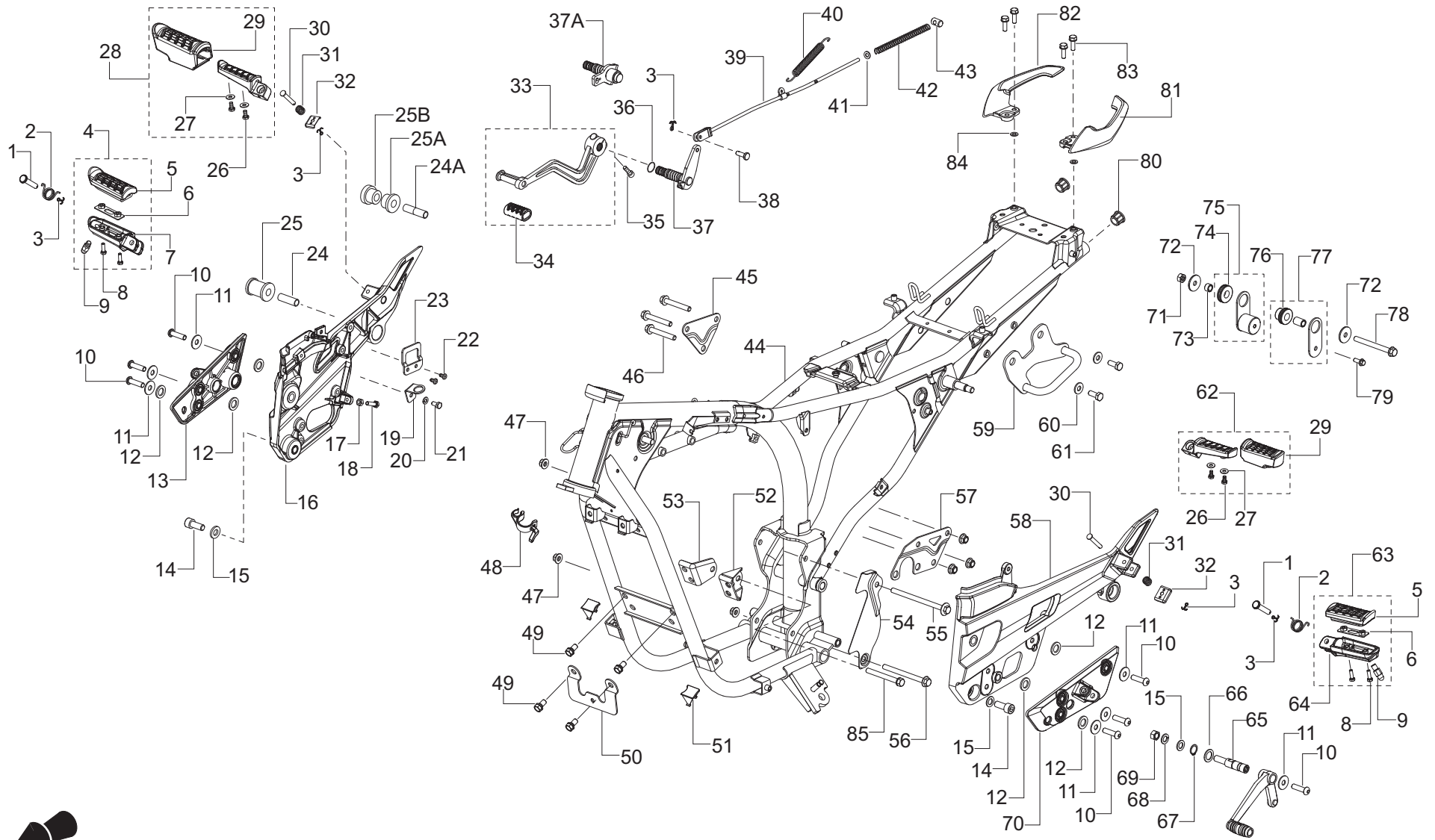
FUEL TANK ASSEMBLY

FIG. NO. 12A

REF. NO.	PART NO.	DESCRIPTION	QUANTITY				REMARKS
			RTR 160 SD	RTR 160 DD	RTR 160 SD REF.	RTR 180 DD	
26	N2140060	CUSHION FUEL TANK FRONT			2	2	
27	N9222910	COVER FUEL TANK INNER RH			1	1	
28	→	COVER FUEL TANK RH			1	1	REF. PAGE 129
29	0332275	CRR PAN HEAD SCREW M6x16			4	4	

FIG. NO. 13

FRAME ASSEMBLY



FRAME ASSEMBLY

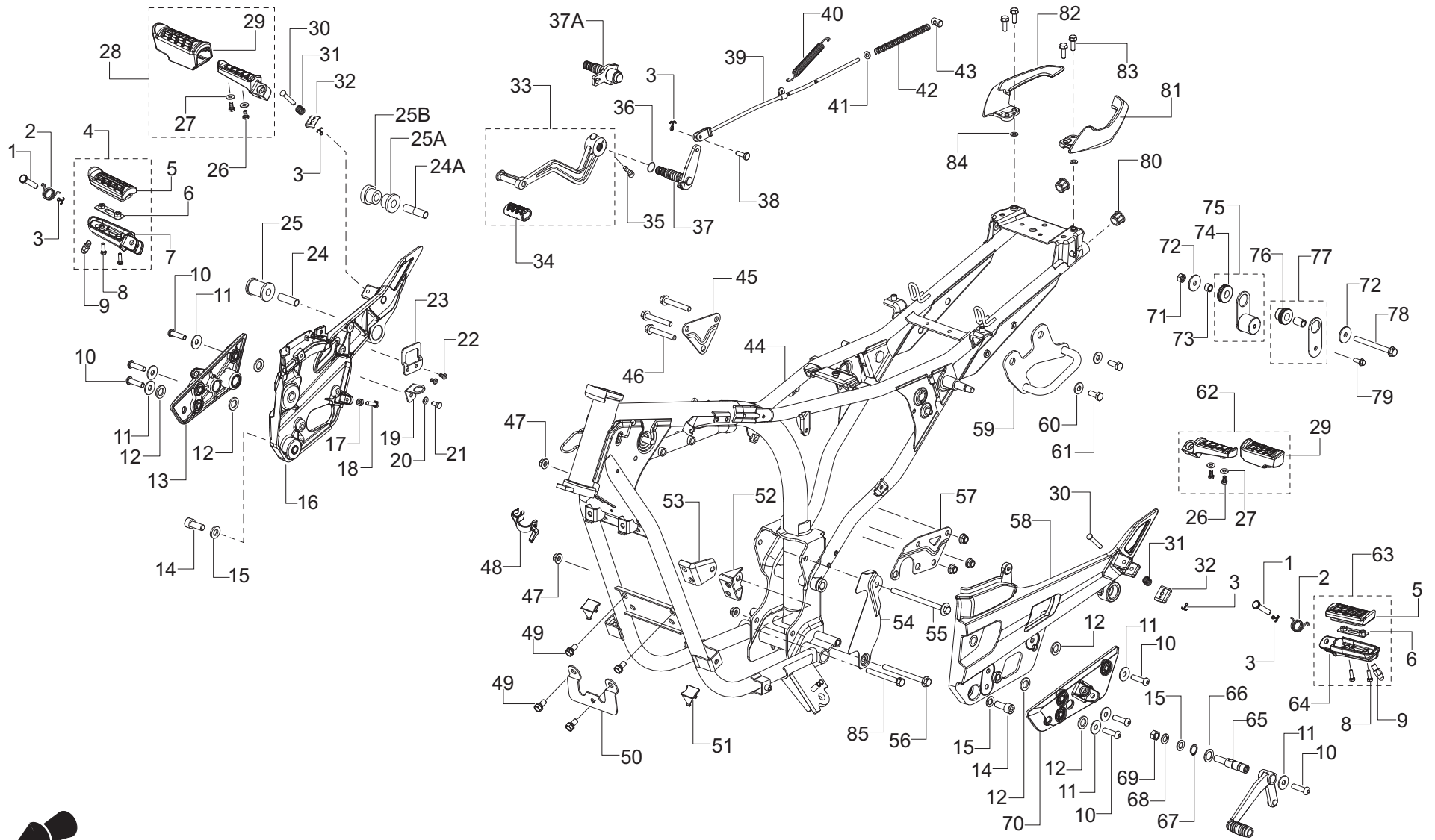
FIG. NO. 13

REF. NO.	PART NO.	DESCRIPTION	QUANTITY				REMARKS
			RTR 160 SD	RTR 160 DD	RTR 160 SD REF.	RTR 180 DD	
1	N9200310	CLEVIS PIN B8x42	2	2			
2	N9124020	TORSION SPRING FOOTPEG	2	2			
3	0330048	SPLIT PIN 2.0x20	5	4			
4	N9123920	RIDER FOOTPEG ASSY. RH	1	1			
5	N9124050	SLEEVE RIDER FOOTREST	2	2			
6	N9123990	CLAMP COMP. RIDER FOOTREST	2	2			
7	N9124040	RIDER FOOTPEG RH	1	1			
8	N9200400	HEX SCREW M5x18	4	4			
9	N9124000	STUD RIDER FOOTREST	2	2			
10	N9200230	SBHC SCREW M8x30	7	7			
11	N9200220	PUNCHED WASHER 8.5x24x1.6	7	7			
12	N9124450	SPACER RIDER FOOTREST	6	6			
13	N9124300	RIDER FOOTREST COMP. RH	1	1			
14	N9200250	HEX SOCKET HEAD CAP SCREW M10x25	2	2			
15	0335528	SHIM 10.5x18x1.6	3	3			
16	N92210207D	PILLION FOOTREST RH	1	1			
17	420305700	HEX NUT M6	1	1			
18	N5200400	HEX SCREW M6x25	1	1			
19	N9112140	BRACKET BRAKE SWITCH	1	1			
20	0330408	WAVE SPRING WASHER M6	1	1			
21	420452700	HEX SCREW M6X12	1	1			
22	8200120	CRPH SCREW M5x12	2	2			
23	N9220880	BRKT COVER LOCK	1	1			
24	N3050350	SPACER MUFFLER BRKT	1	1			
24A	N9125590	SPACER	1	1			**

NOTE : ** - Effective from frame no. MD634HE3692F08601

FIG. NO. 13

FRAME ASSEMBLY



FRAME ASSEMBLY

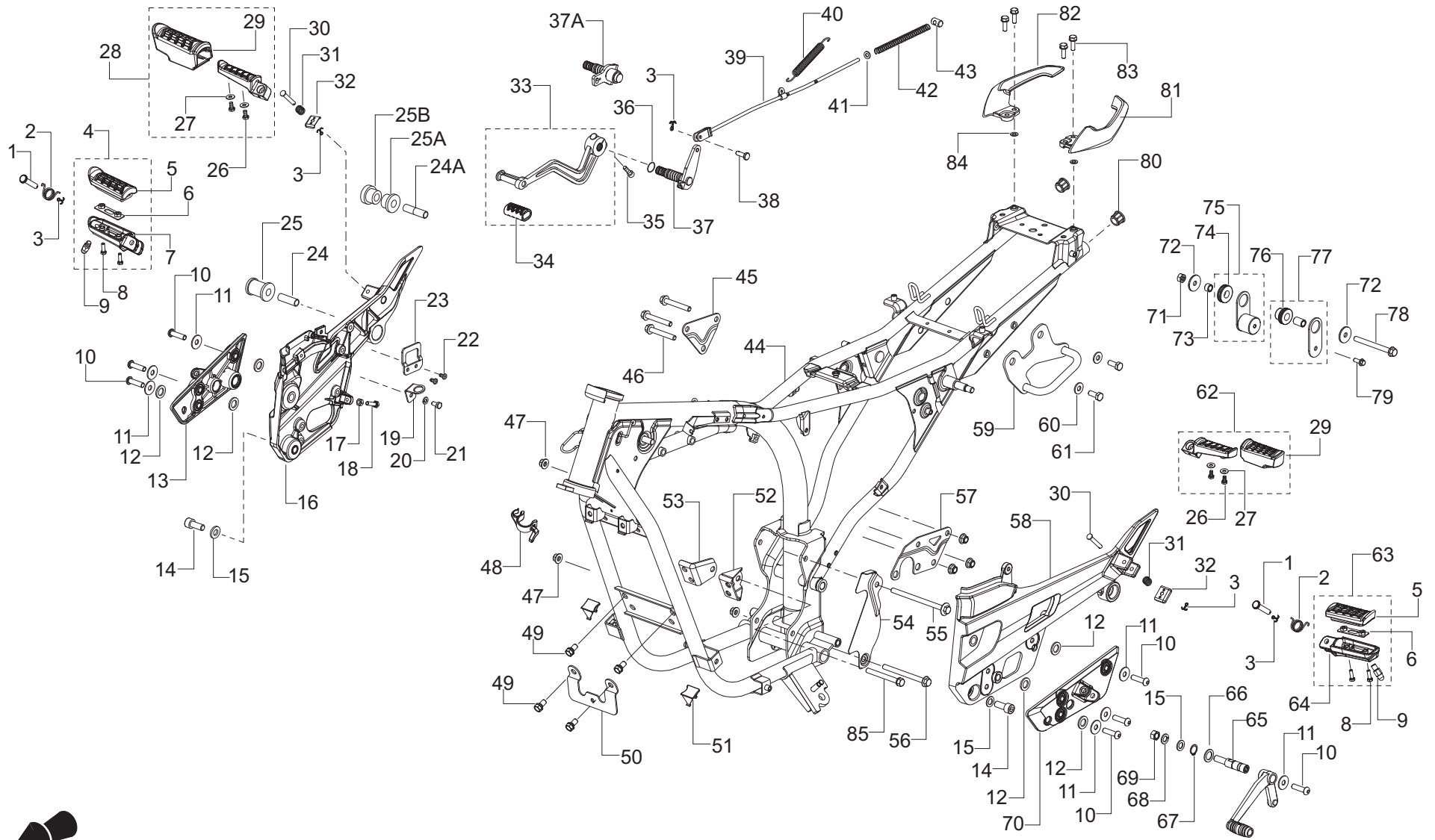
FIG. NO. 13

REF. NO.	PART NO.	DESCRIPTION	QUANTITY				REMARKS
			RTR 160 SD	RTR 160 DD	RTR 160 SD REF.	RTR 180 DD	
25	N2121060	CUSHION EXHAUST MTG	1	1			
25A	N9124890	CUSHION EXHAUST MTG	1	1			**
25B	N9125580	CUSHION EXHAUST MTG	1	1			**
26	0331645	HEX SCREW M6x12	4	4			
27	0335605	PUNCHED WASHER 6.5x16x1.2	4	4			
28	N9125030	PILLION FOOT PEG ASSY. RH	1	1			
29	N9125010	SLEEVE PILLION FOOTREST	2	2			
30	N9121790	PIN PILLION FOOTREST	2	2			
31	N9123980	SPRING FOOTREST	2	2			
32	N9123970	GUIDE PILLION FOOT PEG LH	2	2			
33	N9112010	BRAKE PEDAL ASSY.	1	1			
34	N9112000	SLEEVE BRAKE PEDAL	1	1			
35	N2200470	HEX SOC HD CAP SCREW M6x20	1	1			
36	N9200300	O RING BRAKE PEDAL	1	1			
37	N9111980	SHAFT COMP. BRAKE PEDAL	1				
37A	N9111840	SHAFT COMP. BRAKE PEDAL		1			
38	N2110600	PIN REAR BRAKE CONNECTOR	2	1			
39	N9111680	ROD COMP. REAR BRAKE	1				
40	N2110700	BRAKE RETURN SPRING	1				
41	0335578	PUNCHED WASHER 6.5x13.0x1.0 ZNB	1				
42	N3110360	SPRING REAR BRAKE ROD ADJUSTER	1				
43	S1111930	PIN REAR BRAKE ROD LEVER	1				
44	N9125560	FRAME COMP. - RTR	1	1			
45	N9123000	BRKT ENGINE MTG. UPPER RH	1	1			
46	M7200070	HEX FLANGE BOLT M8x55	3	3			

NOTE : ** - Effective from frame no. MD634HE3692F08601

FIG. NO. 13

FRAME ASSEMBLY



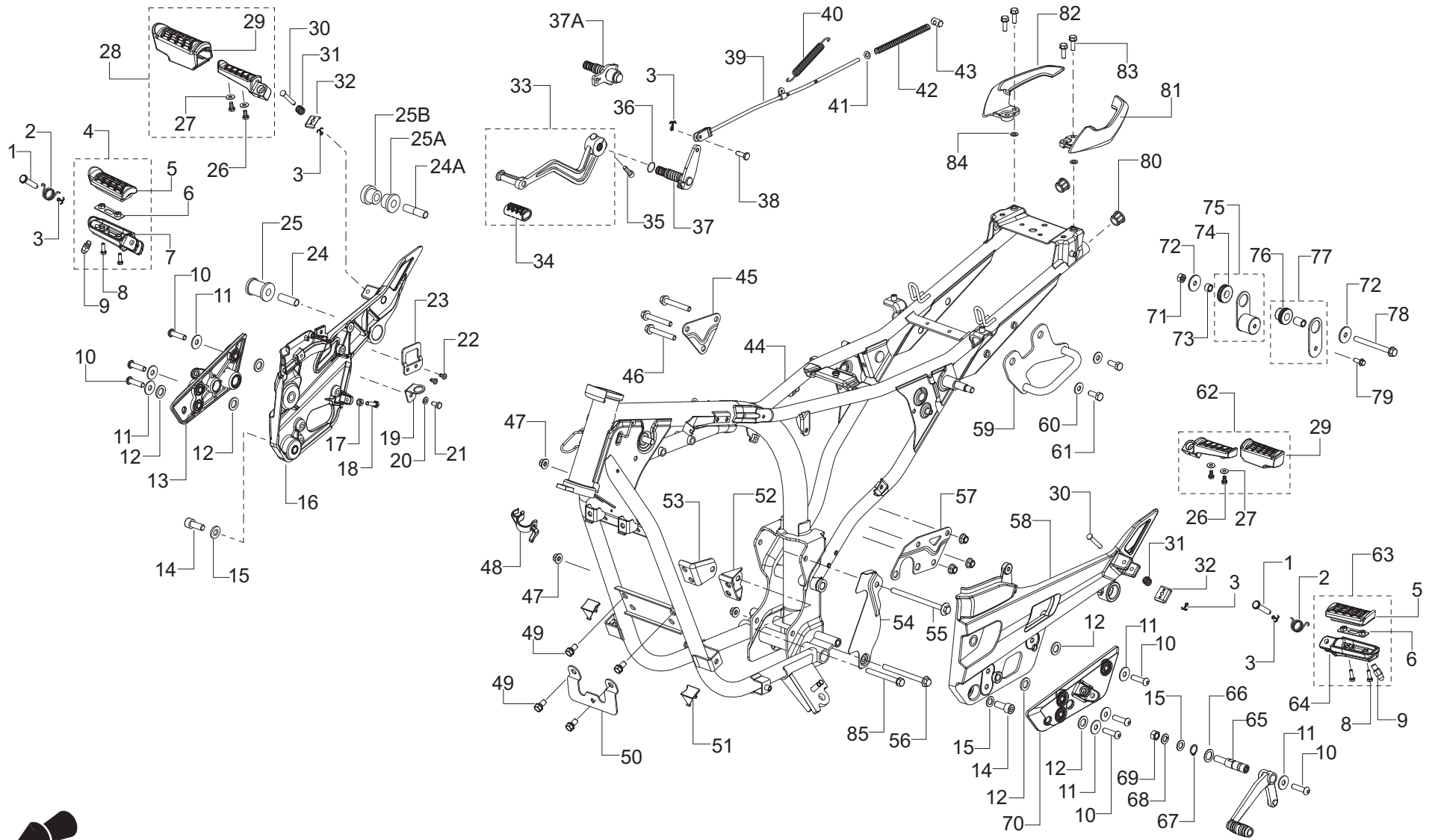
FRAME ASSEMBLY

FIG. NO. 13

REF. NO.	PART NO.	DESCRIPTION	QUANTITY				REMARKS
			RTR 160 SD	RTR 160 DD	RTR 160 SD REF.	RTR 180 DD	
47	M1200890	HEX FLANGE NUT M8	6	6			
48	N9200280	CABLE CLIP DIA 18	1	1			
49	0331058	HEX BOLT+WAVE SPR WASHER M8x16	4	4			
50	N9221440	BRKT COMP. GUARD CENTER	1	1			
51	N9123750	COVER BRACKET CRASHGUARD	2	2			
52	N9124990	BRKT ENGINE MTG FRONT LH	1	1			
53	N9125000	BRKT ENGINE MTG FRONT RH	1	1			
54	N9123760	DUST COVER CRANKCASE	1	1			
55	M1200120	HEX FLANGE BOLT M8x120	1	1			
56	N5200330	HEX FL BOLT M8x100	1	1			
57	N9122990	BRKT ENGINE MTG. UPPER LH	1	1			
58	N92210107D	PILLION FOOTREST LH	1	1			
59	N9221580	HANDLE HOLDER COMP	1	1			
60	0336018	PUNCHED WASHER 8.5x20x2	2	2			
61	420454700	HEX SCREW M8x20	2	2			
62	N9125020	PILLION FOOT PEG ASSY. LH	1	1			
63	N9123930	RIDER FOOTPEG ASSY. LH	1	1			
64	N9124030	RIDER FOOTPEG LH	1	1			
65	N9221560	PIN GEAR SHIFT LEVER	1	1			
66	0335698	PUNCHED WASHER 14.5x22x1.6	1	1			
67	U6200030	CIRCLIP DIA 14	1	1			
68	0330328	WAVE SPRING WASHER M10	1	1			
69	0334038	HEXAGONAL NUT M10	1	1			
70	N9124200	RIDER FOOTREST COMP. LH	1	1			
71	0334548	HEX NUT M8	1	1			

FIG. NO. 13

FRAME ASSEMBLY



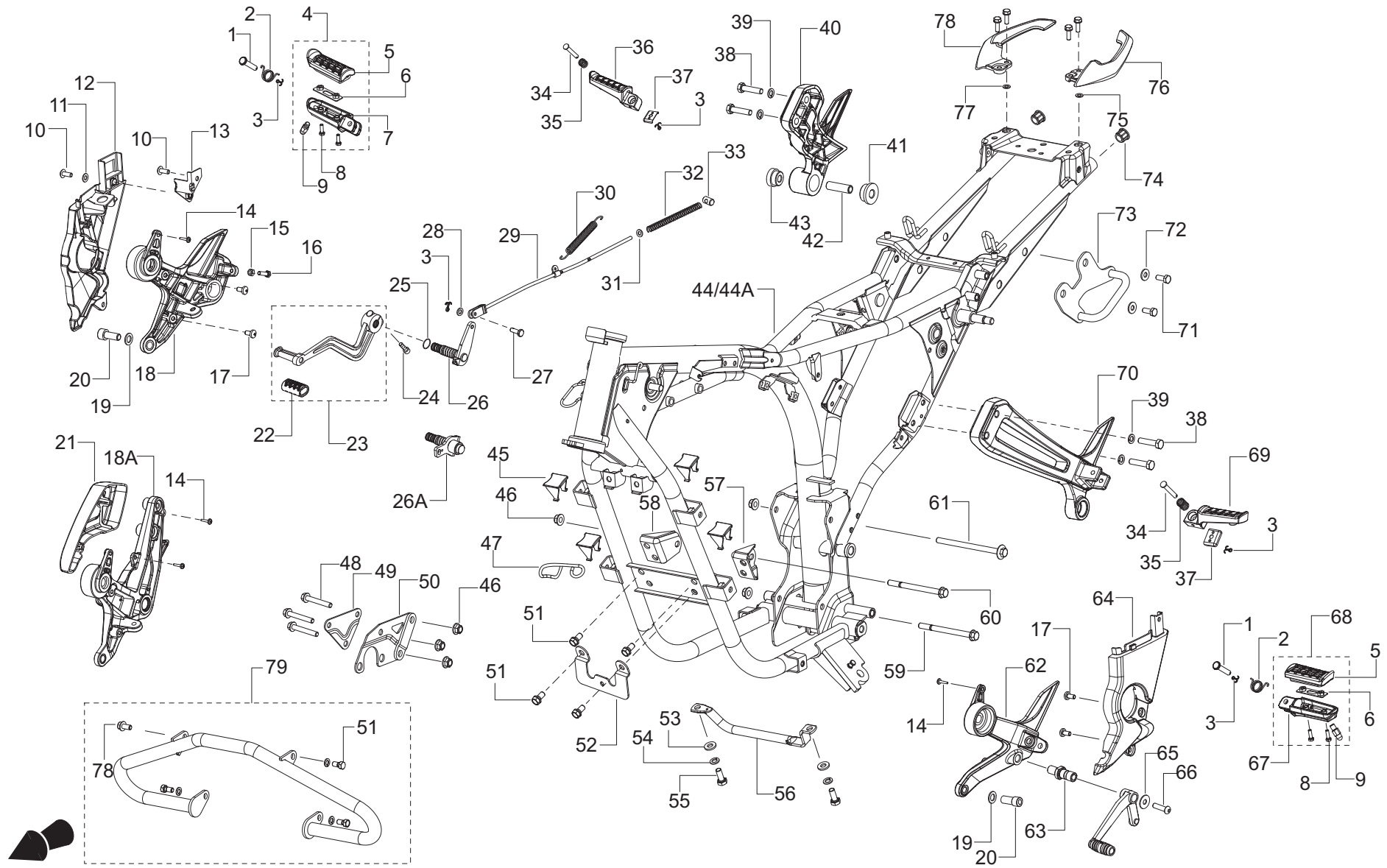
FRAME ASSEMBLY

FIG. NO. 13

REF. NO.	PART NO.	DESCRIPTION	QUANTITY				REMARKS
			RTR 160 SD	RTR 160 DD	RTR 160 SD REF.	RTR 180 DD	
72	3257598	PUNCHED WASHER	2	2			
73	N9125060	SPACER REAR	1	1			
74	N9125070	CUSHION REAR	1	1			
75	N9125050	BALANCER MASS COMP.	1	1			
76	N9125130	CUSHION BALANCER MASS	1	1			
77	N9125150	PLATE ASSY BALANCER	1	1			
78	M1200850	HEX FLANGE BOLT M8x50	1	1			
79	N3200150	HEX FL BOLT M6x16	1	1			
80	N3120410	PLUG TUBE UPPER	2	2			
81	N92210507D	PILLION HANDLE LH	1	1			
82	N92210607D	PILLION HANDLE RH	1	1			
83	M1200480	HEX FLANGE BOLT M8x25	4	4			
84	N5200430	PUNCHED WASHER 8.5x16.0x1.2 ZNK	2	2			
85	0331288	BOLT ENGINE MOUNT L.75	1	1			

FIG. NO. 13A

FRAME ASSEMBLY



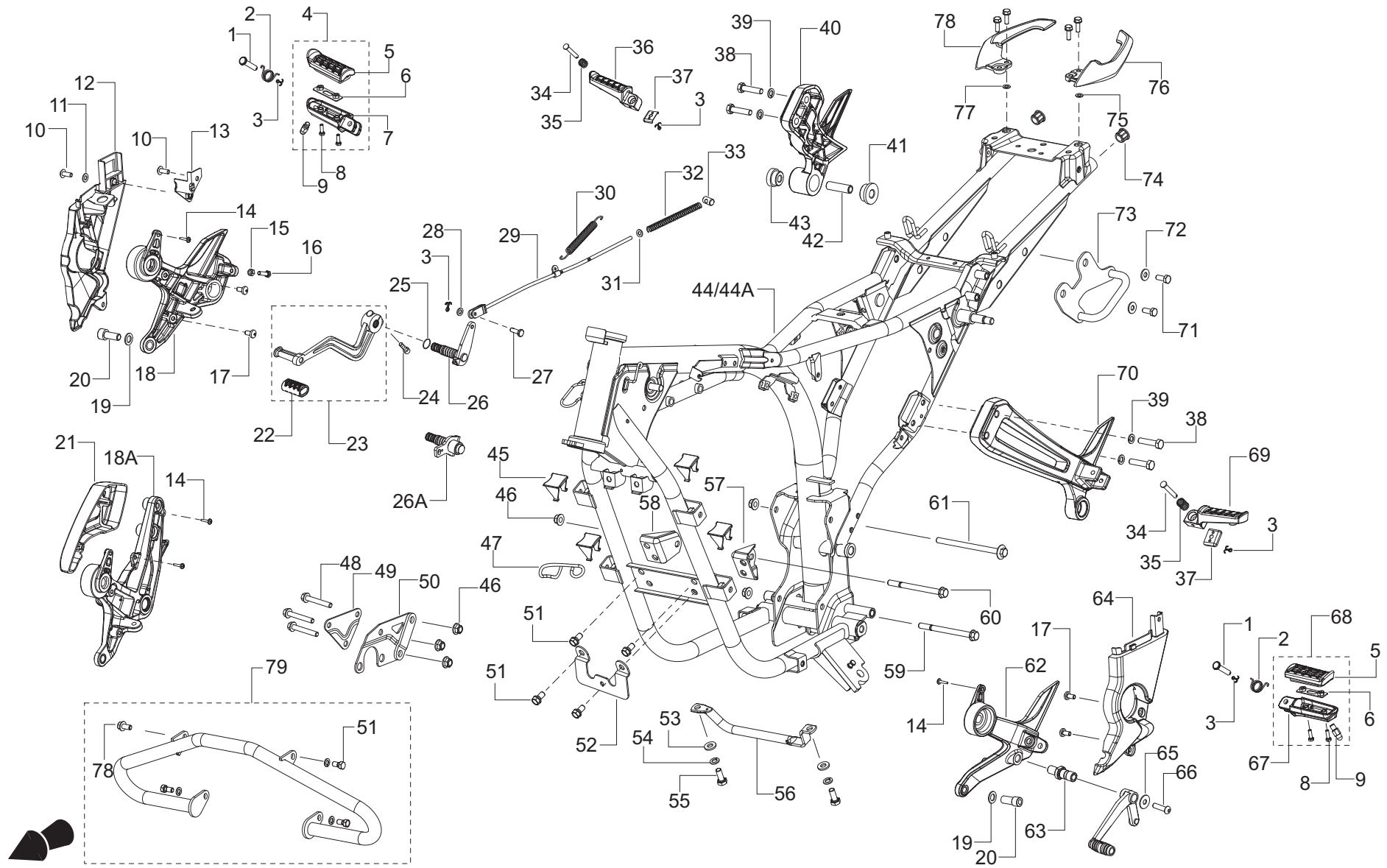
FRAME ASSEMBLY

FIG. NO. 13A

REF. NO.	PART NO.	DESCRIPTION	QUANTITY				REMARKS
			RTR 160 SD	RTR 160 DD	RTR 160 SD REF.	RTR 180 DD	
1	N9200310	CLEVIS PIN B8x42			2	2	
2	N9124020	TORSION SPRING FOOTPEG			2	2	
3	0330048	SPLIT PIN 2.0x20			5	4	
4	N9123920	RIDER FOOTPEG ASSY. RH			1	1	
5	N9124050	SLEEVE RIDER FOOTREST			2	2	
6	N9123990	CLAMP COMP. RIDER FOOTREST			2	2	
7	N9124040	RIDER FOOTPEG RH			1	1	
8	N9200400	HEX SCREW M5x18			4	4	
9	N9124000	STUD RIDER FOOTREST			2	2	
10	0332275	SCREW CRPH M6x16			2	2	
11	0335578	PUNCHED WASHER 6.5x13.0x1.0 ZNB			1	1	
12	N9223080	COVER FRAME BOTTOM RH			1	1	
13	N9223950	BRKT COVER FRAME HEAD			1	1	
14	K200320	CRR PAN HD TAP SCR 4.2x16			2	4	
15	420305700	HEX NUT M6			1	1	
16	N5200400	HEX SCREW M6x25			1	1	
17	P3200010	CRPH SCREW M6x12			4	4	
18	N9126060	RIDER FOOTREST RH DRUM			1		
18A	N9125980	RIDER FOOTREST DISC RH				1	
19	0335528	SHIM 10.5x18x1.6			2	2	
20	N9200250	HEX SOC HD CAP SCREW M10x25			2	2	
21	N9126160	COVER MASTER CYLINDER			1	1	
22	N9112000	SLEEVE BRAKE PEDAL			1	1	
23	N9112010	BRAKE PEDAL ASSY.			1	1	
24	N2200470	HEX SOC HD CAP SCREW M6x20			1	1	

FIG. NO. 13A

FRAME ASSEMBLY



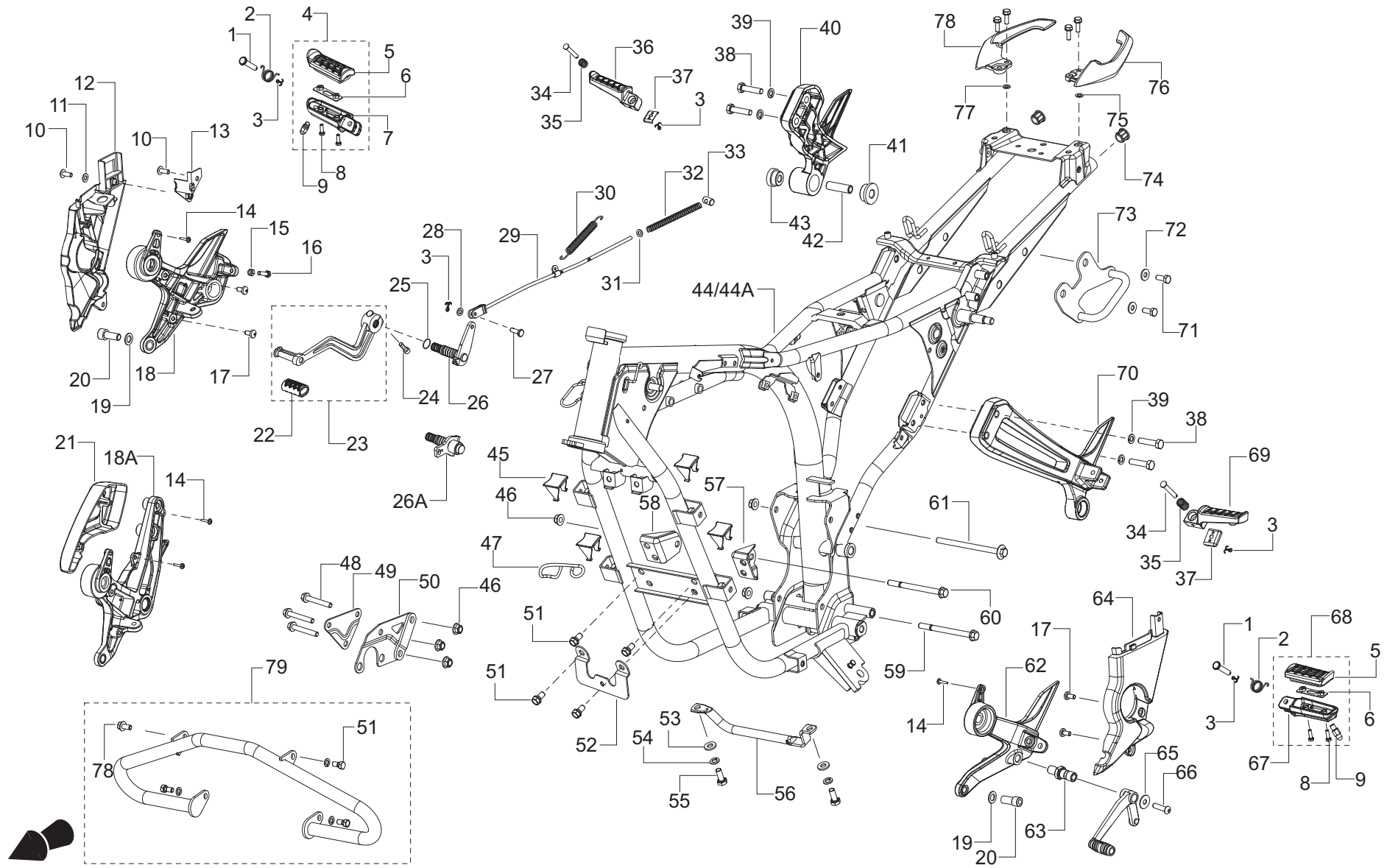
FRAME ASSEMBLY

FIG. NO. 13A

REF. NO.	PART NO.	DESCRIPTION	QUANTITY				REMARKS
			RTR 160 SD	RTR 160 DD	RTR 160 SD REF.	RTR 180 DD	
25	N9200300	O RING BRAKE PEDAL			1	1	
26	N9111980	SHAFT COMP. BRAKE PEDAL			1		
26A	N9111840	SHAFT COMP. BRAKE PEDAL				1	
27	N2110600	PIN REAR BRAKE CONNECTOR			1		
28	0335558	PUNCHED WASHER			1		
29	N9111680	ROD COMP. REAR BRAKE			1		
30	N2110700	BRAKE RETURN SPRING			1		
31	0335578	PUNCHED WASHER 6.5x13.0x1.0 ZNB			1		
32	N3110360	SPRING REAR BRAKE ROD ADJUSTER			1		
33	S1111930	PIN REAR BRAKE ROD LEVER			1		
34	N9121790	PIN PILLION FOOTREST			2	2	
35	N9123980	SPRING FOOTREST			2	2	
36	N9123940	PILLION FOOTPEG R			1	1	
37	N9123970	GUIDE PILLION FOOT PEG LH			2	2	
38	S1101250	HEX BOLT M8x35			4	4	
39	0330318	WAVE SPRING WASHER M8			4	4	
40	N9222850	PILLION FOOTREST RH			1	1	
41	N9124890	CUSHION EXHAUST MTG SMALL			1	1	
42	N9125590	SPACER			1	1	
43	N9125580	CUSHION EXHAUST MTG BIG			1	1	
44	N9125860	FRAME COMP			1	1	
45	N9123750	COVER BRACKET CRASHGUARD			4	4	
46	M1200890	HEX FLANGE NUT M8			6	6	
47	N4121370	CLAMP CLUTCH CABLE			1	1	
48	M7200070	HEX FLANGE BOLT M8x55			3	3	

FIG. NO. 13A

FRAME ASSEMBLY



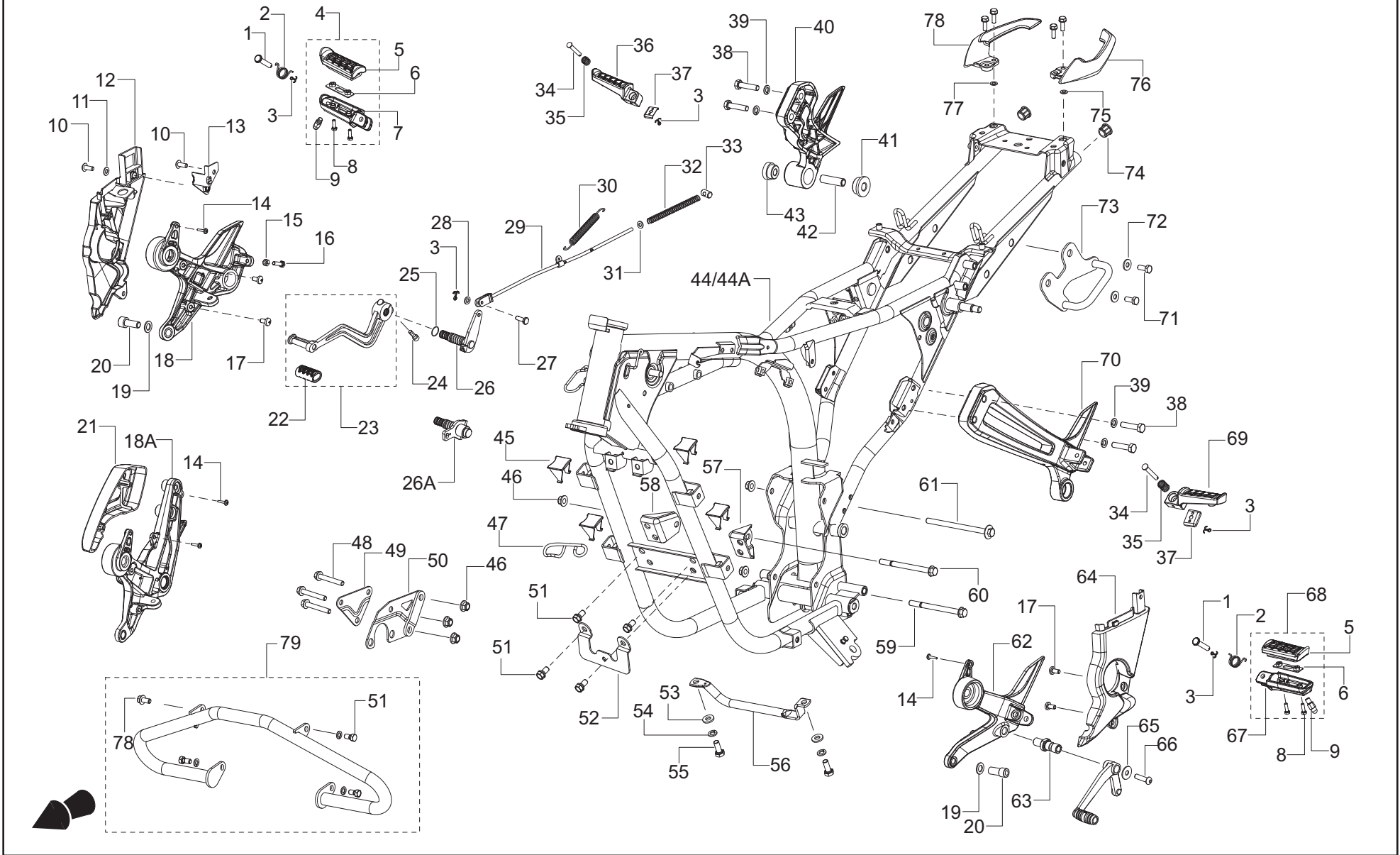
FRAME ASSEMBLY

FIG. NO. 13A

REF. NO.	PART NO.	DESCRIPTION	QUANTITY				REMARKS
			RTR 160 SD	RTR 160 DD	RTR 160 SD REF.	RTR 180 DD	
49	N9124990	BRKT ENGINE MTG FRONT LH			1	1	
50	N9125000	BRKT ENGINE MTG FRONT RH			1	1	
51	0331058	HEX BOLT+WAVE SPR WASHER M8x16			7	7	
52	N9221440	BRKT COMP. GUARD CENTER			1	1	
53	M1200060	PUNCHED WASHER			2	2	
54	0330318	SPRING WASHER			2	2	
55	420454700	HEX SCREW M8x20			2	2	
56	N9126170	CONNECTOR FOOTREST			1	1	
57	N9124990	BRKT ENGINE MTG FRONT LH			1	1	
58	N9125000	BRKT ENGINE MTG FRONT RH			1	1	
59	N5200330	HEX FL BOLT M8x100			1	1	
60	0331288	BOLT ENGINE MOUNT L.75			1	1	
61	M1200120	HEX FLANGE BOLT M8x120			1	1	
62	N9125920	PILLION FOOTREST LH			1	1	
63	N9125990	PIN GEARSHIFT LEVER			1	1	
64	N9223070	COVER FRAME BOTTOM LH			1	1	
65	N9200220	PUNCHED WASHER 8.5x24x1.6			1	1	
66	N9200230	SBHC SCREW M8x30			1	1	
67	N9124030	RIDER FOOTPEG LH			1	1	
68	N9123930	RIDER FOOTPEG ASSY. LH			1	1	
69	N9123950	PILLION FOOTPEG L			1	1	
70	N9222840	PILLION FOOTREST LH			1	1	
71	420454700	HEX SCREW M8x20			2	2	
72	0336018	PUNCHED WASHER 8.5x20x2			2	2	
73	N9221580	HANDLE HOLDER COMP			1	1	

FIG. NO. 13A

FRAME ASSEMBLY



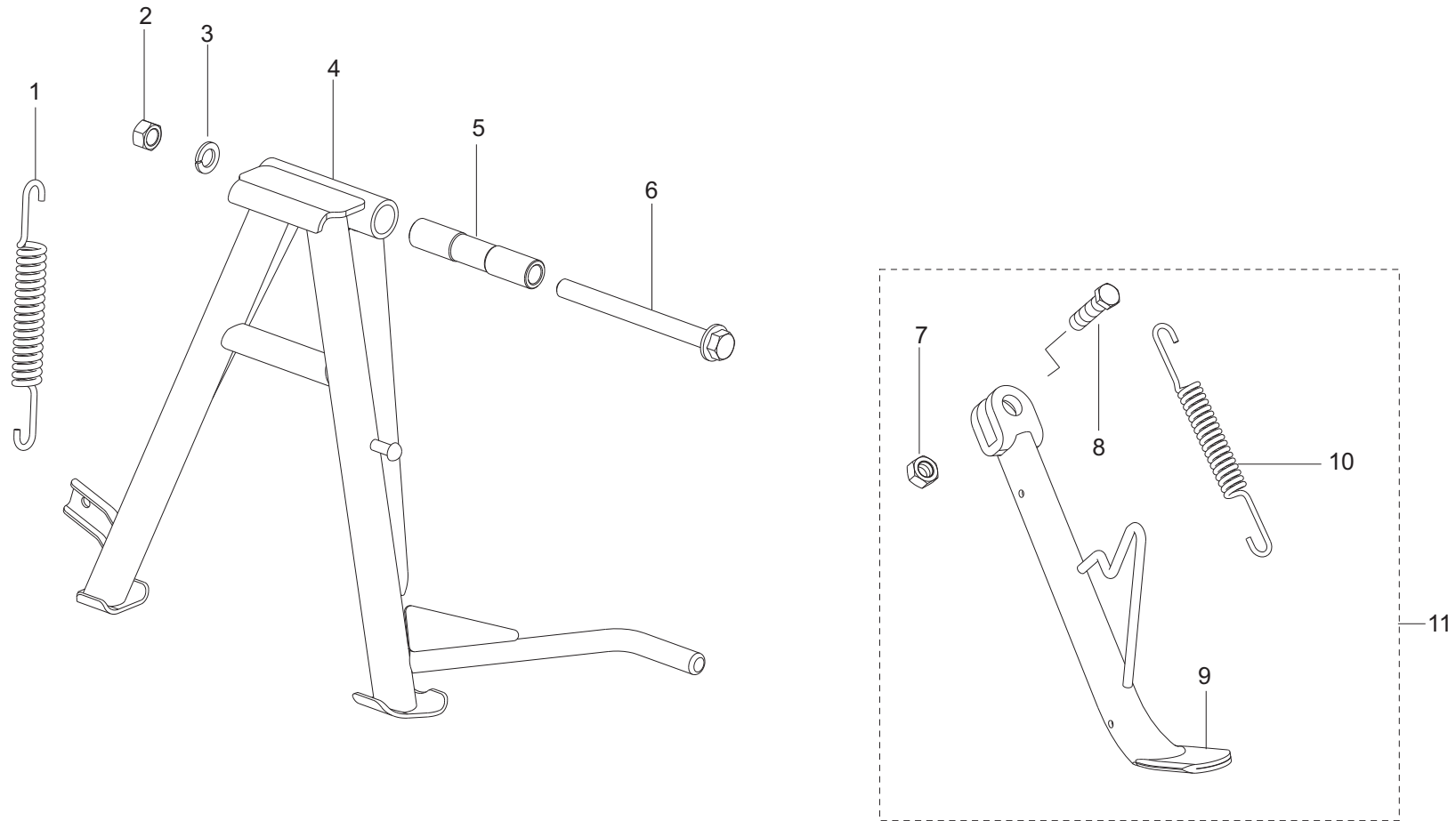
FRAME ASSEMBLY

FIG. NO. 13A

REF. NO.	PART NO.	DESCRIPTION	QUANTITY				REMARKS
			RTR 160 SD	RTR 160 DD	RTR 160 SD REF.	RTR 180 DD	
74	N3120410	PLUG TUBE UPPER			2	2	
75	N5200430	PUNCHED WASHER 8.5x16.0x1.2 ZNK			2	2	
76	N92210507D	PILLION HANDLE LH			1	1	
77	N92210607D	PILLION HANDLE RH			1	1	
78	M1200480	HEX FLANGE BOLT M8x25			5	5	
79	N9XXX	KIT CRASH GUARD			1	1	

FIG. NO. 14

STAND ASSEMBLY



STAND ASSEMBLY

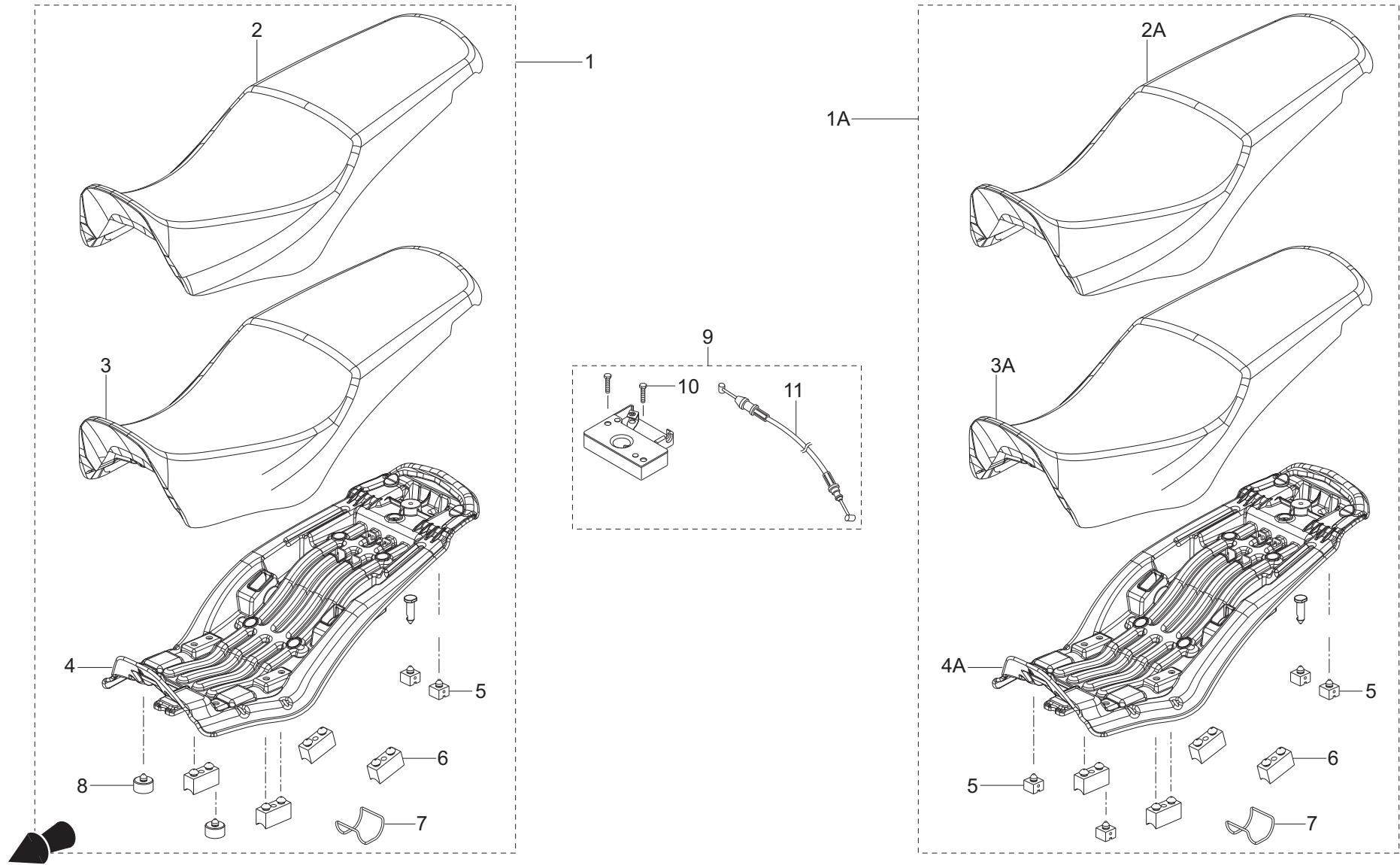
FIG. NO. 14

REF. NO.	PART NO.	DESCRIPTION	QUANTITY				REMARKS
			RTR 160 SD	RTR 160 DD	RTR 160 SD REF.	RTR 180 DD	
1	N3120860	SPRING CENTER STAND	1	1	1	1	
2	0334038	HEX NUT M10x1.25	1	1	1	1	
3	0330328	WAVE SPRING WASHER	1	1	1	1	
4	N9124730	CENTER STAND COMP.	1	1	1	1	
5	N3121540	SPACER CENTER STAND	1	1	1	1	
6	N8200050	BOLT CENTER STAND	1	1	1	1	
7	K200690	HEX NUT M8	1	1	1	1	
8	N9200210	SPL HEX BOLT M10 X 30	1	1	1	1	
9	N9124640	PROP STAND COMP.	1	1	1	1	
10	N5121610	SPRING PROP STAND	1	1	1	1	
11	N9321940	PROP STAND KIT	1	1	1	1	#

NOTE : # - For more details refer Kit details on Page 135

FIG. NO. 15

SEAT ASSEMBLY



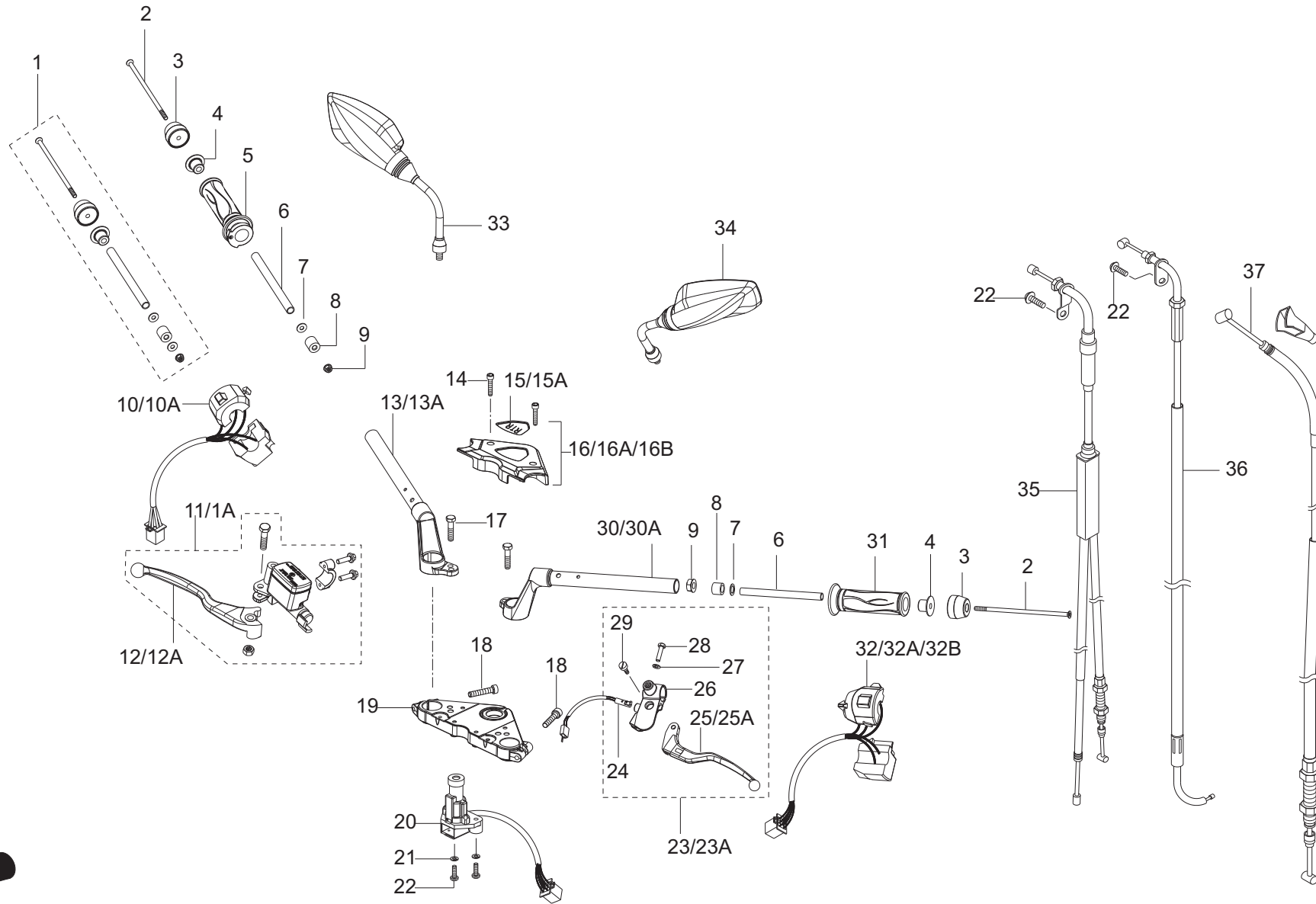
SEAT ASSEMBLY

FIG. NO. 15

REF. NO.	PART NO.	DESCRIPTION	QUANTITY				REMARKS
			RTR 160 SD	RTR 160 DD	RTR 160 SD REF.	RTR 180 DD	
1	N9130060	SEAT ASSEMBLY	1	1			
1A	N9130150	SEAT ASSEMBLY (APACHE REF)			1	1	
2	N9310090	COVER COMP SEAT	1	1			
2A	N9130180	COVER COMP SEAT (APACHE REF)			1	1	
3	N9130080	SEAT FOAM	1	1			
3A	N9130170	SEAT FOAM (APACHE REF)			1	1	
4	N9130070	SEAT BASE	1	1			
4A	N9130160	SEAT BASE (APACHE REF)			1	1	
5	N9130120	CUSHION SEAT	2	2	4	4	
6	N8130130	CUSHION, SEAT	4	4	4	4	
7	K210800	O' RING FIRST AID	1	1	1	1	
8	M1130240	CUSHION SEAT	2	2			
9	N9123220	LATCH ASSY. SEAT	1	1	1	1	
10	K3122240	HEX BOLT M5x65	2	2	2	2	
11	N9170090	CABLE COMP. SEAT	1	1	1	1	

FIG. NO. 16

HANDLE BAR ASSEMBLY



HANDLE BAR ASSEMBLY

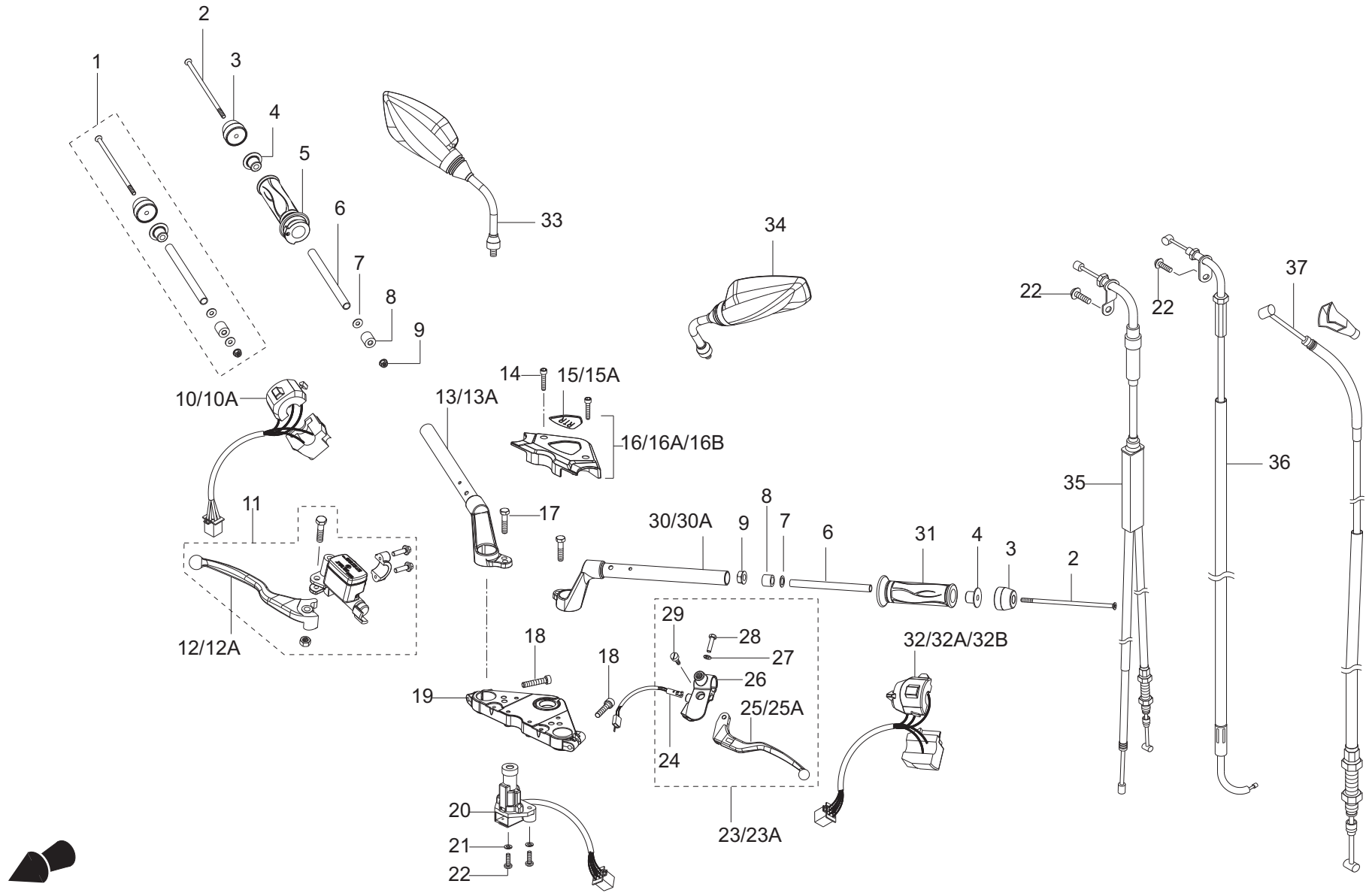
FIG. NO. 16

REF. NO.	PART NO.	DESCRIPTION	QUANTITY				REMARKS
			RTR 160 SD	RTR 160 DD	RTR 160 SD REF.	RTR 180 DD	
1	N9151220	DAMPER ASSY HANDLE BAR	2	2	2	2	
2	N9200350	CRPH SCREW M6X157	2	2	2	2	
3	N9150770	DAMBER WEIGHT HANDLE BAR	2	2	2	2	
4	N9151200	SEPARATOR HANDLE BAR-RTR	2	2	2	2	
5	N9221170	GRIP COMP THROTTLE	1	1	1	1	
6	N9151190	TUBE HANDLE BAR	2	2	2	2	
7	0335608	WASHER	2	2	2	2	
8	N9151210	RETAINER HANDLE BAR	2	2	2	2	
9	M1200900	HEX FLANGE NUT M6	2	2	2	2	
10	N9161150	SWITCH ASSY RH	1	1			
10A	N9161940	SWITCH ASSY RH			1	1	
11	N9111140	CYLINDER ASSY FRONT MASTER	1	1			
11A	N91111403C	CYLINDER ASSY FRONT MASTER		1	1	1	
12	N9321500	KIT LEVER RH (BLACK)	1	1			#
12A	N9322020	KIT LEVER RH - RTR		1	1	1	#
13	N9150820	HANDLE BAR COMP. RH	1	1			
13A	N9151390	HANDLEBAR COMP RH (BLACK)	1	1	1	1	
14	N9200150	HEX SOC. HEAD CAP SCREW M6x30	2	2	2	2	
15	N9213920	EMBLEM COVER HANDLE BAR - RTR 160	1	1	1		
15A	N9214830	EMBLEM COVER HANDLE BAR - RTR 180				1	
16	N9151250	COVER ASSY. UPPER BRACKET	1	1			
16A	N9151750	COVER ASSY. UPPER BRACKET			1		
16B	N9151660	COVER ASSY. UPPER BRACKET				1	
17	U2200010	HEX FLANGED BOLT M8x27	2	2	2	2	
18	420955700	HEX SCREW M8x40	2	2	2	2	

NOTE : # - For more details refer Kit details on Page 135

FIG. NO. 16

HANDLE BAR ASSEMBLY



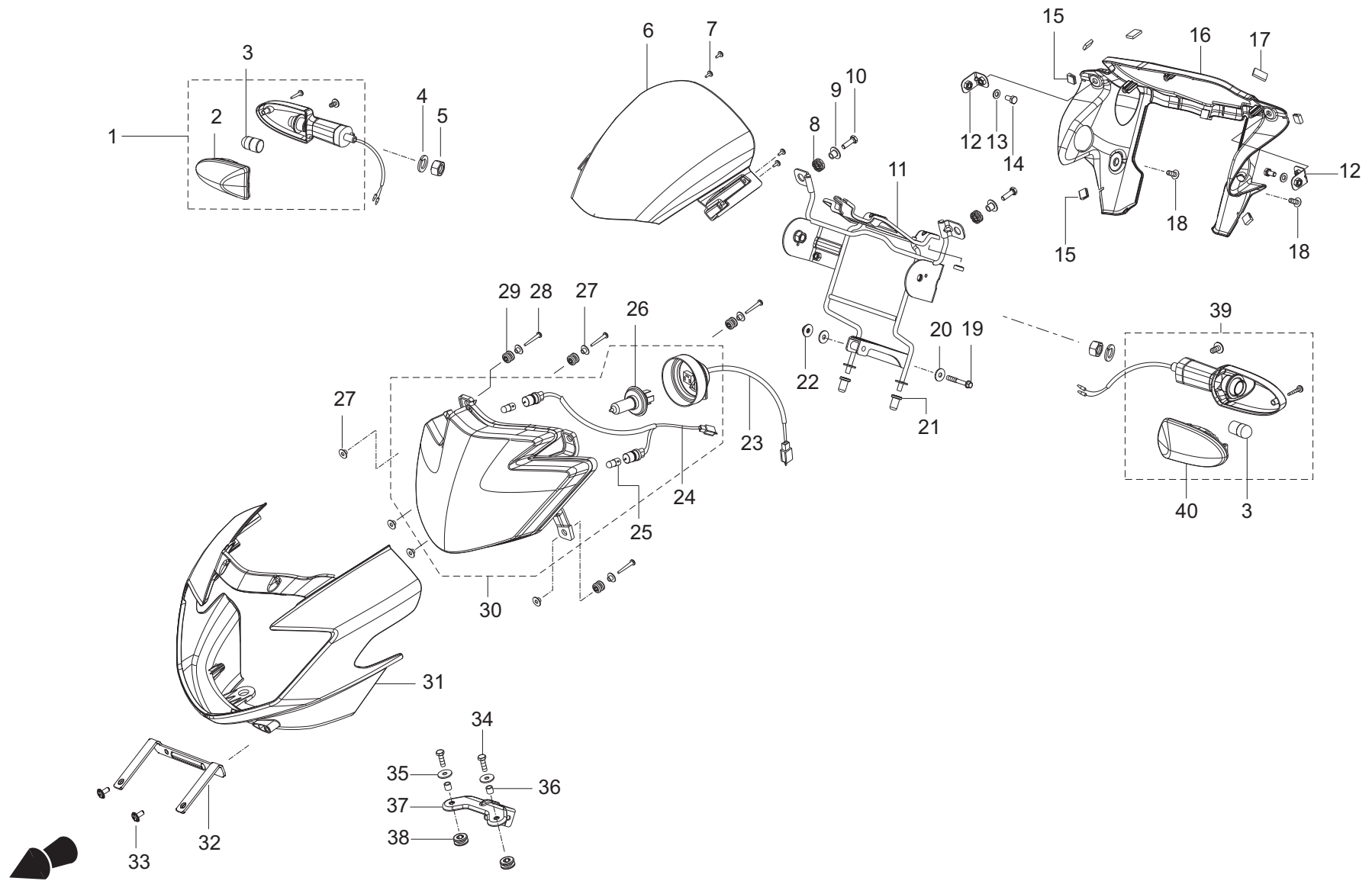
HANDLE BAR ASSEMBLY

FIG. NO. 16

REF. NO.	PART NO.	DESCRIPTION	QUANTITY				REMARKS
			RTR 160 SD	RTR 160 DD	RTR 160 SD REF.	RTR 180 DD	
19	N9101000	UPPER BRACKET	1	1	1	1	
20	N9160480	STEERING / IGNITION LOCK	1	1	1	1	
21	0330408	WAVE SPRING WASHER M6	2	2	2	2	
22	420518000	CRR PAN HEAD SCREW M6x20	4	4	3	3	
23	N9150440	LEVER ASSY. CLUTCH (BLACK)	1	1			
23A	N91504403C	LEVER ASSY. CLUTCH RTR		1	1	1	
24	N9160910	CLUTCH SWITCH ASSY.	1	1	1	1	
25	N9150520	LEVER CLUTCH (BLACK)	1	1			
25A	N91505203C	LEVER CLUTCH RTR		1	1	1	
26	N9150450	BRKT LEVER LH	1	1	1	1	
27	0330408	WAVE SPRING WASHER M6	1	1	1	1	
28	7200120	BOLT	1	1	1	1	
29	N3150280	SPECIAL BOLT M5	1	1	1	1	
30	N9150790	HANDLE BAR COMP. LH	1	1			
30A	N9151400	HANDLE BAR COMP. LH (BLACK)	1	1	1	1	
31	N9221070	GRIP COMP. LH	1	1	1	1	
32	N9161200	SWITCH ASSY LH	1	1			
32A	N9161930	SWITCH ASSY LH			1	1	
33	N9221460	MIRROR ASSY. RH	1	1	1	1	
34	N9221450	MIRROR ASSY. LH	1	1	1	1	
35	N9170230	THROTTLE CABLE ASSY.	1	1	1	1	
36	N9170240	CHOKE CABLE ASSY.	1	1			
37	N9170250	CLUTCH CABLE ASSY.			1	1	

FIG. NO. 17

HEADLAMP ASSEMBLY



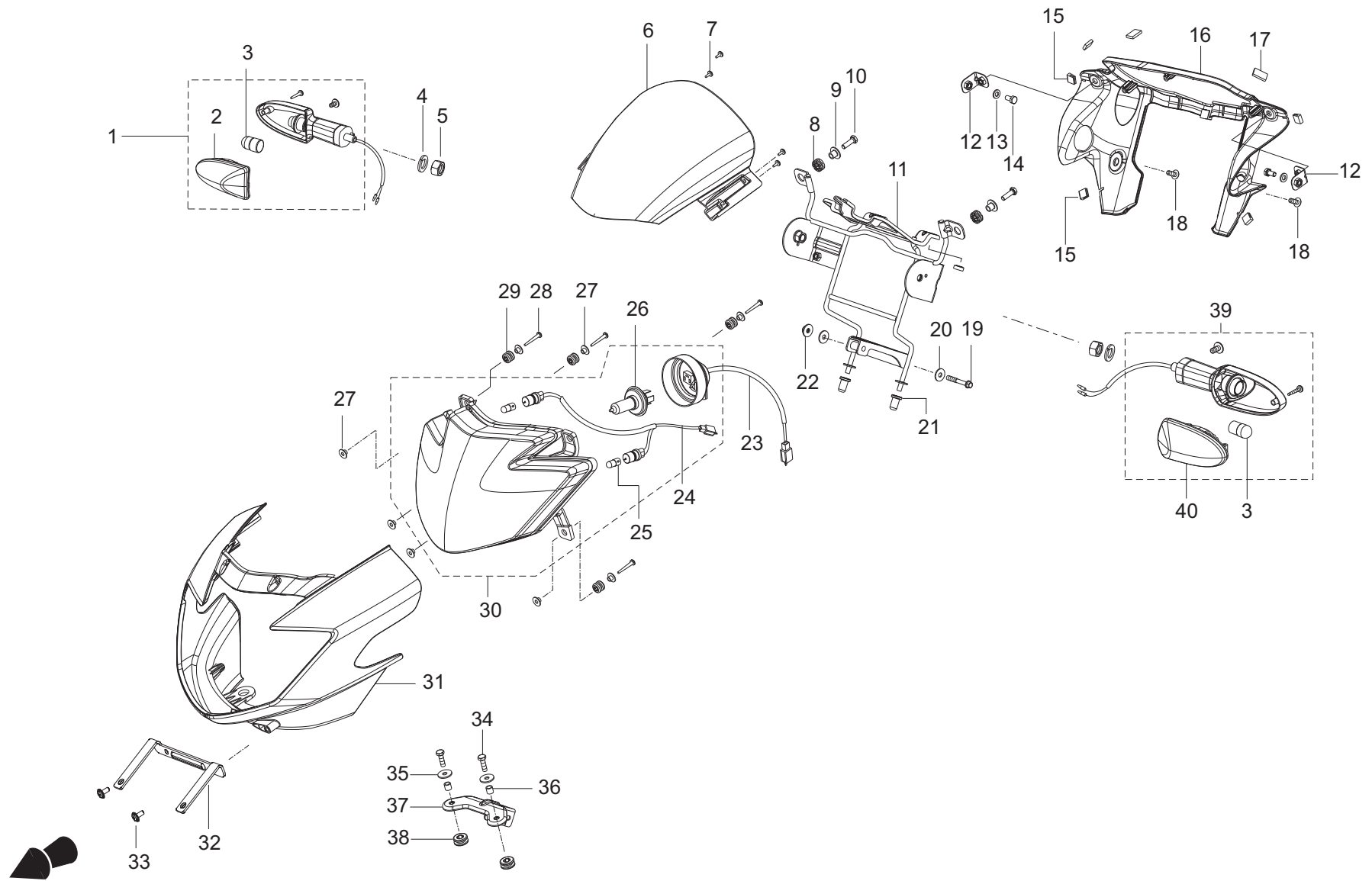
HEADLAMP ASSEMBLY

FIG. NO. 17

REF. NO.	PART NO.	DESCRIPTION	QUANTITY				REMARKS
			RTR 160 SD	RTR 160 DD	RTR 160 SD REF.	RTR 180 DD	
1	N9161370	TURN SIGNAL LAMP ASSY FRONT RH	1	1			
2	N9321830	LENS AND REFLECTOR COMP. FR/RL	1	1			
3	K3160450	AMBER BULB 12V 10W	2	2			
4	0330328	WAVE SPRING WASHER M10	2	2			
5	0334038	HEX NUT M10	2	2			
6	N9220240	VISOR HOUSING HEAD LAMP	1	1			
7	K200320	CRR PAN HD TAP SCR ST4.2x16 ZNK TSDS0209	6	6			
8	N8220180	GROMMET TAIL COVER	2	2			
9	N8122610	CUP WASHER	2	2			
10	M1200610	HEX SCREW M6X 20	4	4			
11	N9220360	BRKT COMP HEADLAMP HSG	1	1			
12	M7121680	BRKT, COMP. HSG HD LAMP	2	2			
13	420001700	PUNCHED WASHER A6.6	2	2			
14	0331618	HEX SCREW M6 x 12	2	2			
15	N3120600	GROMMET COVER	4	4			
16	N9221490	HOUSING HEAD LAMP REAR	1	1			
17	R1220770	CUSHION HEAD LAMP REAR	3	3			
18	0332275	CRR PAN HD SCREW M6x16	2	2			
19	K200540	HEX SCREW M6X38	1	1			
20	P1200100	PUNCHED WASHER 6.4X 18X 1.5	2	2			
21	N8220500	PLUG, BRKT HSG HEADLAMP	2	2			
22	P1200060	HEXAGONAL NUT M6	1	1			
23	N9160890	CORD SET HEADLAMP	1	1			
24	N9160880	CORD SET POSITION LAMP	1	1			
25	K3160520	BULB CITY LAMP 12V 4W	2	2			

FIG. NO. 17

HEADLAMP ASSEMBLY



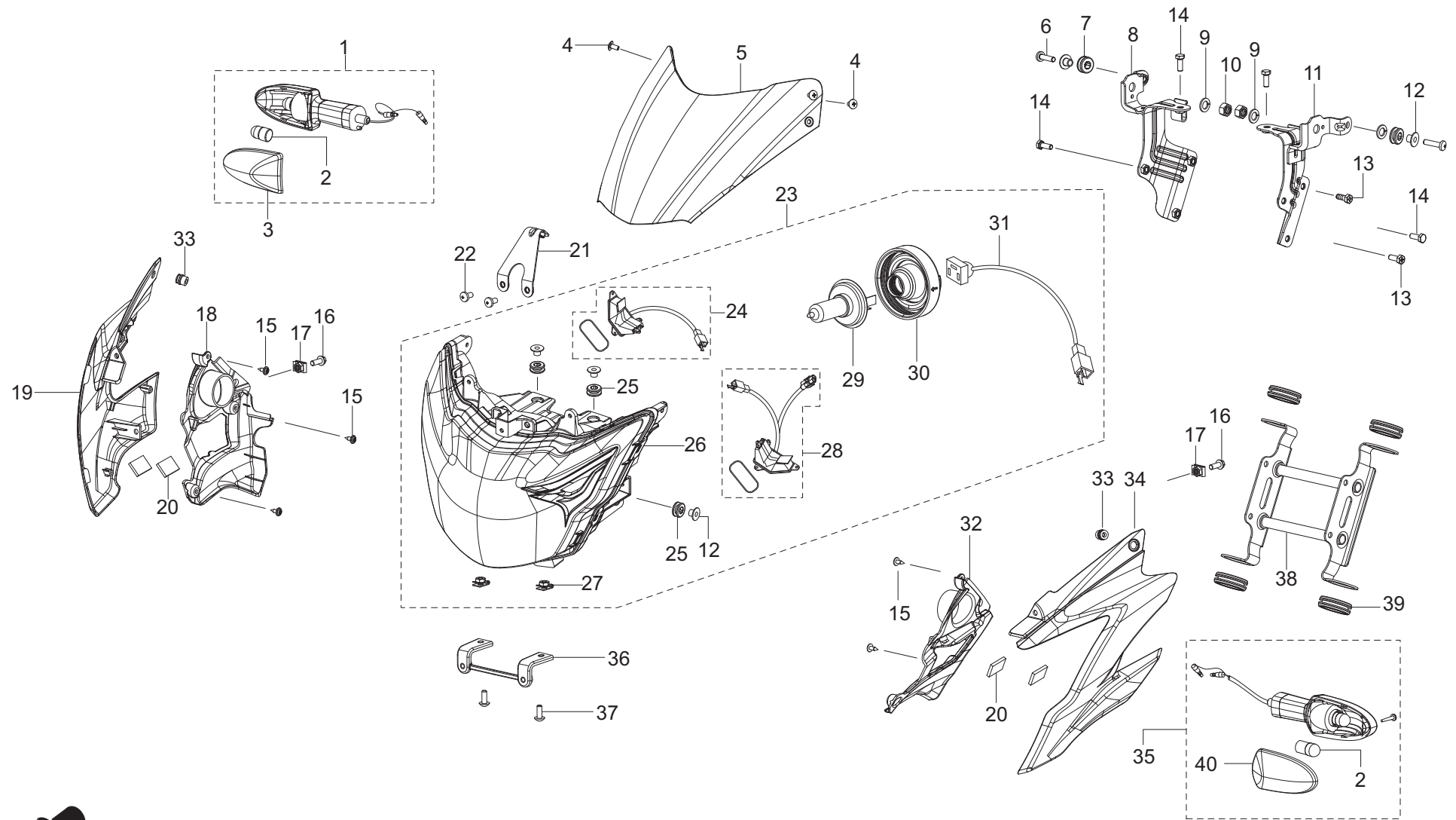
HEADLAMP ASSEMBLY

FIG. NO. 17

REF. NO.	PART NO.	DESCRIPTION	QUANTITY				REMARKS
			RTR 160 SD	RTR 160 DD	RTR 160 SD REF.	RTR 180 DD	
26	M7160190	BULB HEAD LAMP 12V 35/35W HALOGEN	1	1			
27	S1160200	SPACER HEAD LAMP	4	4			
28	K3200900	CRR PAN HEAD TAP SCR ST 4.2 X 30	4	4			
29	S1160190	CUSHION HEAD LAMP	4	4			
30	N9160390	HEADLAMP ASSY.	1	1			
31	→	HOUSING HEAD LAMP FRONT	1	1			REF. PAGE 129
32	N9221780	BRACKET LICENSE PLATE	1	1			
33	0331718	CRR PAN HEAD SCREW M5x16	2	2			
34	M1200610	HEX SCREW M6X 20	2	2			
35	0335618	PUNCHED WASHER	2	2			
36	N3120140	BUSH, TAIL COVER	2	2			
37	N9220370	BRKT COMP. HSG HL LOWER	1	1			
38	N3120130	GROMMET, HEAD LAMP	2	2			
39	N9161360	TURN SIGNAL LAMP ASSY FRONT LH	1	1			
40	N9321820	LENS AND REFLECTOR COMP. FL/RR	1	1			

FIG. NO. 17A

HEADLAMP ASSEMBLY



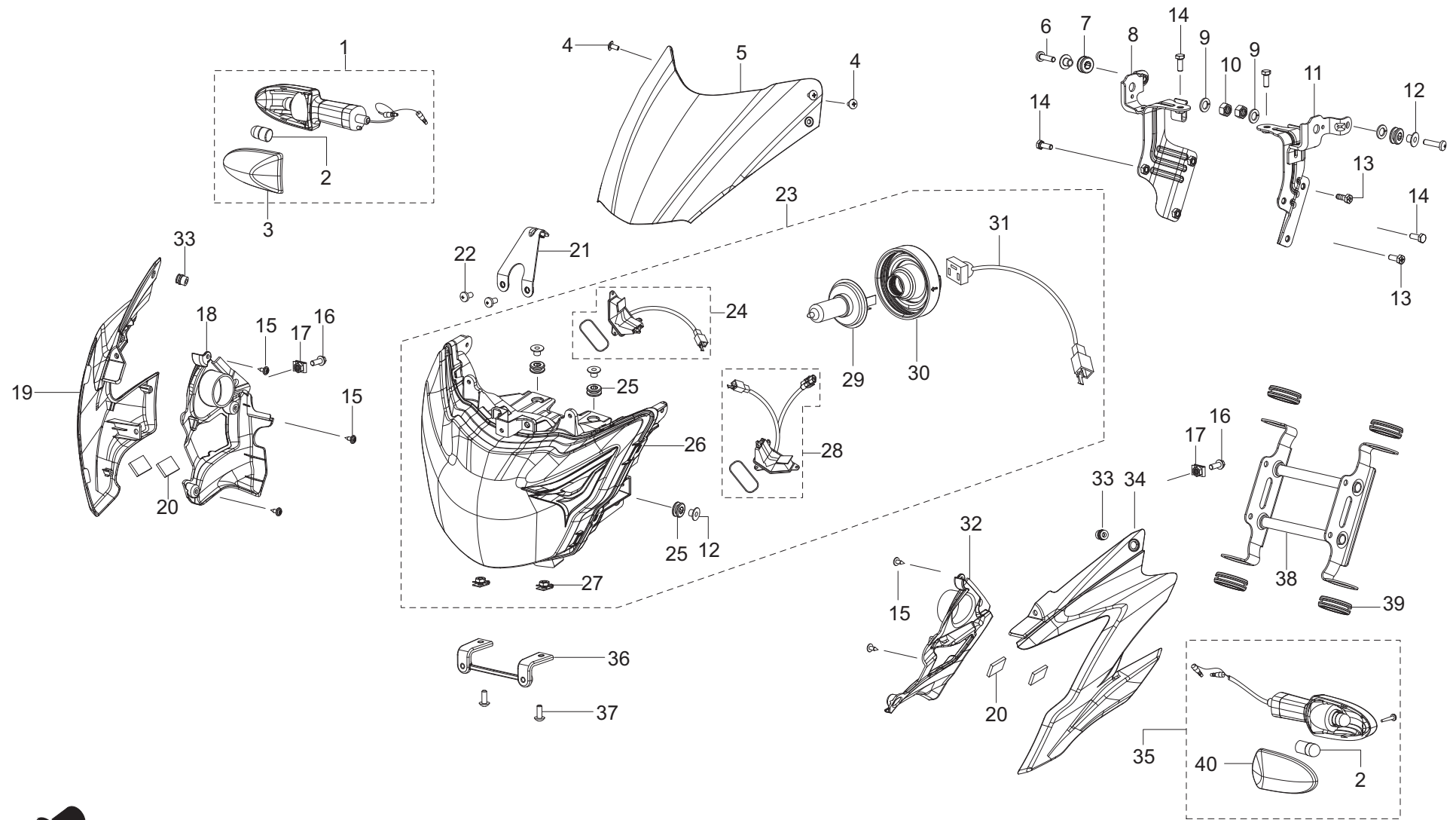
HEADLAMP ASSEMBLY

FIG. NO. 17A

REF. NO.	PART NO.	DESCRIPTION	QUANTITY				REMARKS
			RTR 160 SD	RTR 160 DD	RTR 160 SD REF.	RTR 180 DD	
1	N9161370	TURN SIGNAL LAMP FRONT RH			1	1	
2	K3160450	AMBER BULB 12V10W			2	2	
3	N9321830	LENS AND REFLECTOR COMP. FR/RL			2	2	
4	N8200080	CRR PAN HEAD SCREW M5x10			2	2	
5	N9222810	VISOR HOUSING HEAD LAMP			1	1	
6	M1200820	CRR PAN HEAD SCREW M6 x 25			2	2	
7	N3120130	GROMMET, HEAD LAMP			2	2	
8	N9223490	BRKT HEADLAMP COMP. RH			1	1	
9	0330328	WAVE SPRING WASHER M10			2	2	
10	0334038	HEX NUT M10			2	2	
11	N9223480	BRKT HEADLAMP COMP. LH			1	1	
12	N8122610	CUP WASHER			6	6	
13	N5200340	HEX SCREW M6x16			4	4	
14	420462700	HEX SCREW M6x20			4	4	
15	N3200340	CRR FL. PAN HD TAP SCREW 4.2x13			6	6	
16	N3200220	HEX FL. BOLT M6x1.25x16			2	2	
17	S1200700	RETAINER CLIP COMP. PANEL			2	2	
18	N9223360	HOUSING HEADLAMP FR INNER LH			1	1	
19	→	HOUSING HEADLAMPFRONT LH			1	1	REF. PAGE 129
20	N9200460	RECLOSABLE FASTENRS			4	4	
21	N9223290	BRKT HEADLAMP COMP.			1	1	
22	P200270	CRPH SCREW M6x12			2	2	
23	N9222820	HEADLAMP ASSY.			1	1	
24	N9223540	POSITION LAMP ASSY R			1	1	
25	N5120820	GROMMET HEADLAMP			4	4	

FIG. NO. 17A

HEADLAMP ASSEMBLY



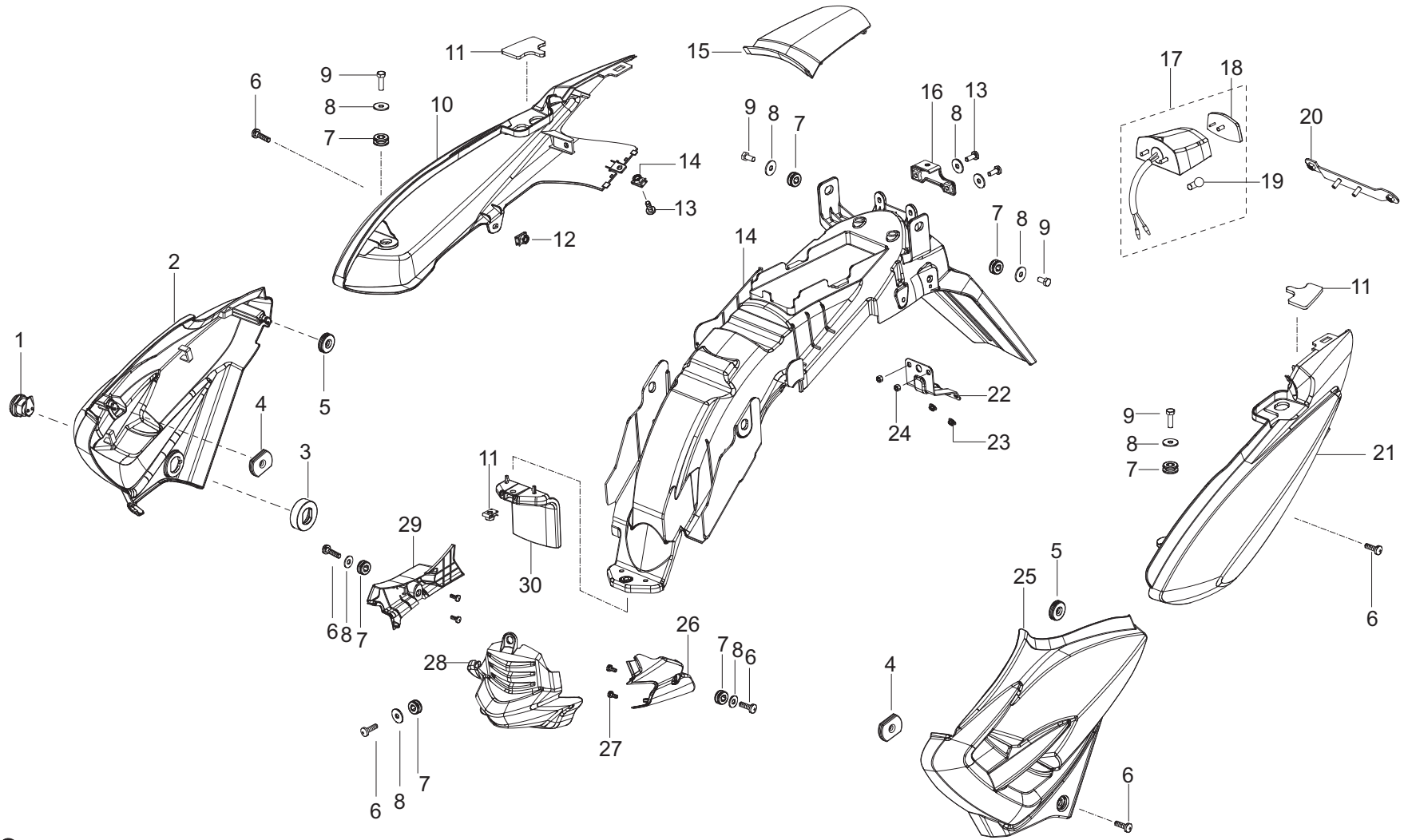
HEADLAMP ASSEMBLY

FIG. NO. 17A

REF. NO.	PART NO.	DESCRIPTION	QUANTITY				REMARKS
			RTR 160 SD	RTR 160 DD	RTR 160 SD REF.	RTR 180 DD	
26	N9324460	HEADLAMP (WITHOUT BULB)			1	1	
27	---	RETAINER CLIP			2	2	
28	N9223530	POSITION LAMP ASSY L			1	1	
29	M7160190	BULB HEAD LAMP 12V 35/35W HALOGEN			1	1	
30	N5120820	GROMMET HEADLAMP			1	1	
31	N9162100	CARD SET HEADLAMP			1	1	
32	N9223350	HOUSING HEADLAMP FR. INNER LH			1	1	
33	N3120990	GROMMET COMP. VISOR MTG			2	2	
34	→	HOUSING HEDLAMP FRONT LH			1	1	REF. PAGE 129
35	N9161360	TURN SIGNAL LAMP FRONT LH			1	1	
36	N9225320	BRKT LICENCE PLATE			1	1	
37	0332275	CRR PAN HD SCREW M6x16			2	2	
38	N9222980	BRKT HOUSING HEAD LAMP BRKT			1	1	
39	7100380	PACKING			4	4	
40	N9321820	LENS AND REFLECTOR COMP. FL/RR			1	1	

FIG. NO. 18

PANELS AND REAR FENDER ASSEMBLY



PANELS AND REAR FENDER ASSEMBLY

FIG. NO. 18

REF. NO.	PART NO.	DESCRIPTION	QUANTITY				REMARKS
			RTR 160 SD	RTR 160 DD	RTR 160 SD REF.	RTR 180 DD	
1	N9212050	LOCK ASSY. COVER FRAME	1	1			
2	—————>	COVER FRAME RH	1	1			REF. PAGE 129
3	N9220530	CUSHION LOCK COVER FRAME	1	1			
4	K122810	CUSHION FRAME COVER	2	2			
5	N3130100	CUSHION COVER FRAME	2	2			
6	N5200440	CRR PAN HD SCREW M6x20	6	6			
7	N3120130	GROMMET	7	7			
8	0335618	PUNCHED WASHER 6.5x16x1.2	6	6			
9	420462700	HEX SCREW M6X20 8.8 ZNB	4	4			
10	—————>	COVER SEAT TAIL RH	1	1			REF. PAGE 129
11	N9220560	CUSHION PILLION HANDLE	2	2			
12	K3200840	RETAINER CLIP NUT M6	4	4			
13	M1201050	CRPH SCR M6x14 6.8 ZNK	3	3			
14	N9221230	FENDER REAR	1	1			
15	—————>	TAIL COVER CENTER	1	1			REF. PAGE 129
16	N9221260	BRKT FENDER COMP REAR TOP	1	1			
17	N9221220	NUMBER PLATE ILLUMINATOR	1	1			
18	---	REFLEX REFLECTOR	1	1			
19	5227360	BULB 12V 3.4W	1	1			
20	N8220300	BRKT COMP. LICENCE PLATE REAR	1	1			
21	—————>	COVER SEAT TAIL LH	1	1			REF. PAGE 129
22	N9221650	BRKT FENDER REAR BOTTOM	1	1			
23	0334146	HEX FLANGE NUT M6	2	2			
24	420302700	HEX NUT M5 8 ZNB	2	2			
25	—————>	COVER FRAME LH	1	1			REF. PAGE 129

FIG. NO. 18

PANELS AND REAR FENDER ASSEMBLY

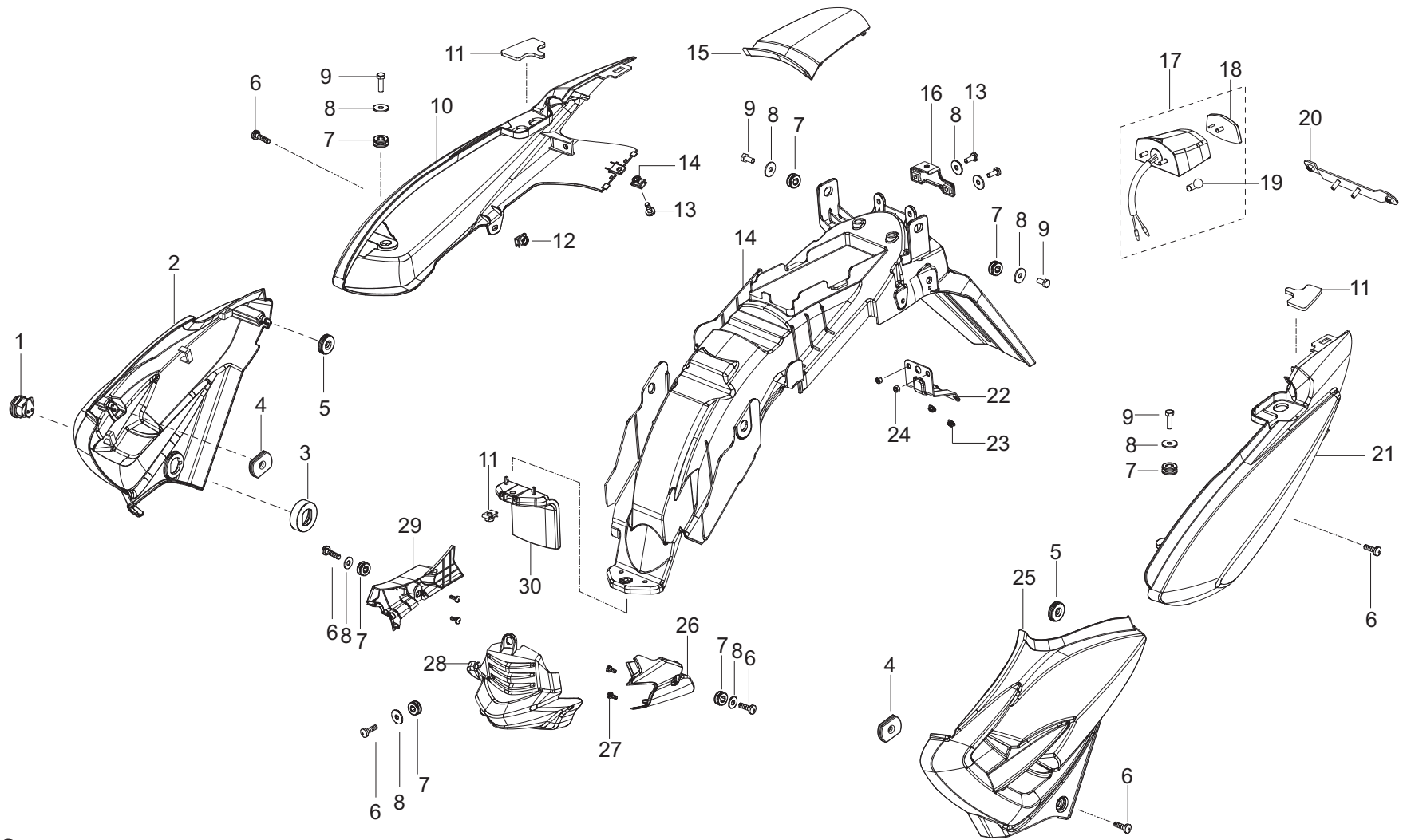
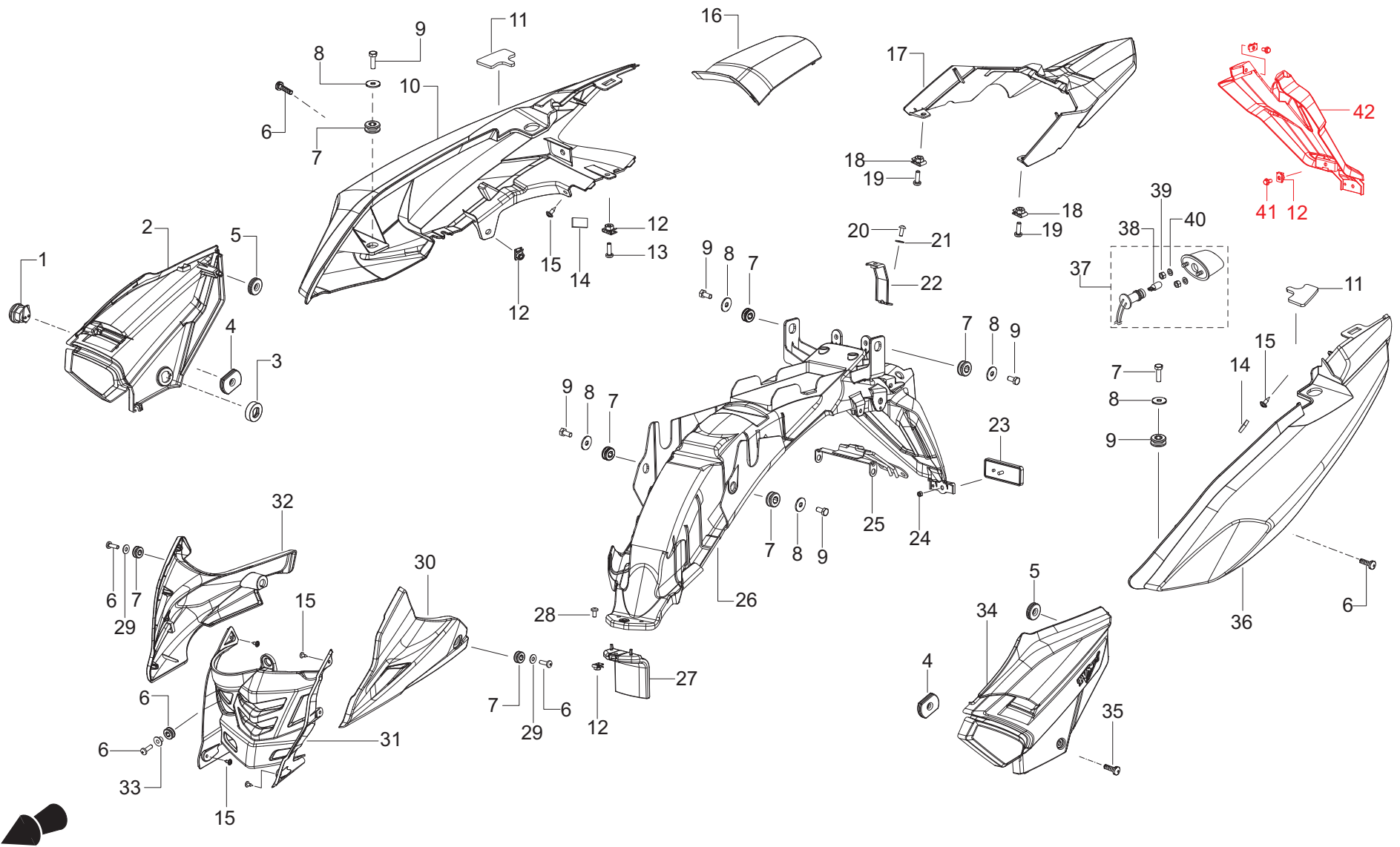


FIG. NO. 18A

PANELS AND REAR FENDER ASSEMBLY



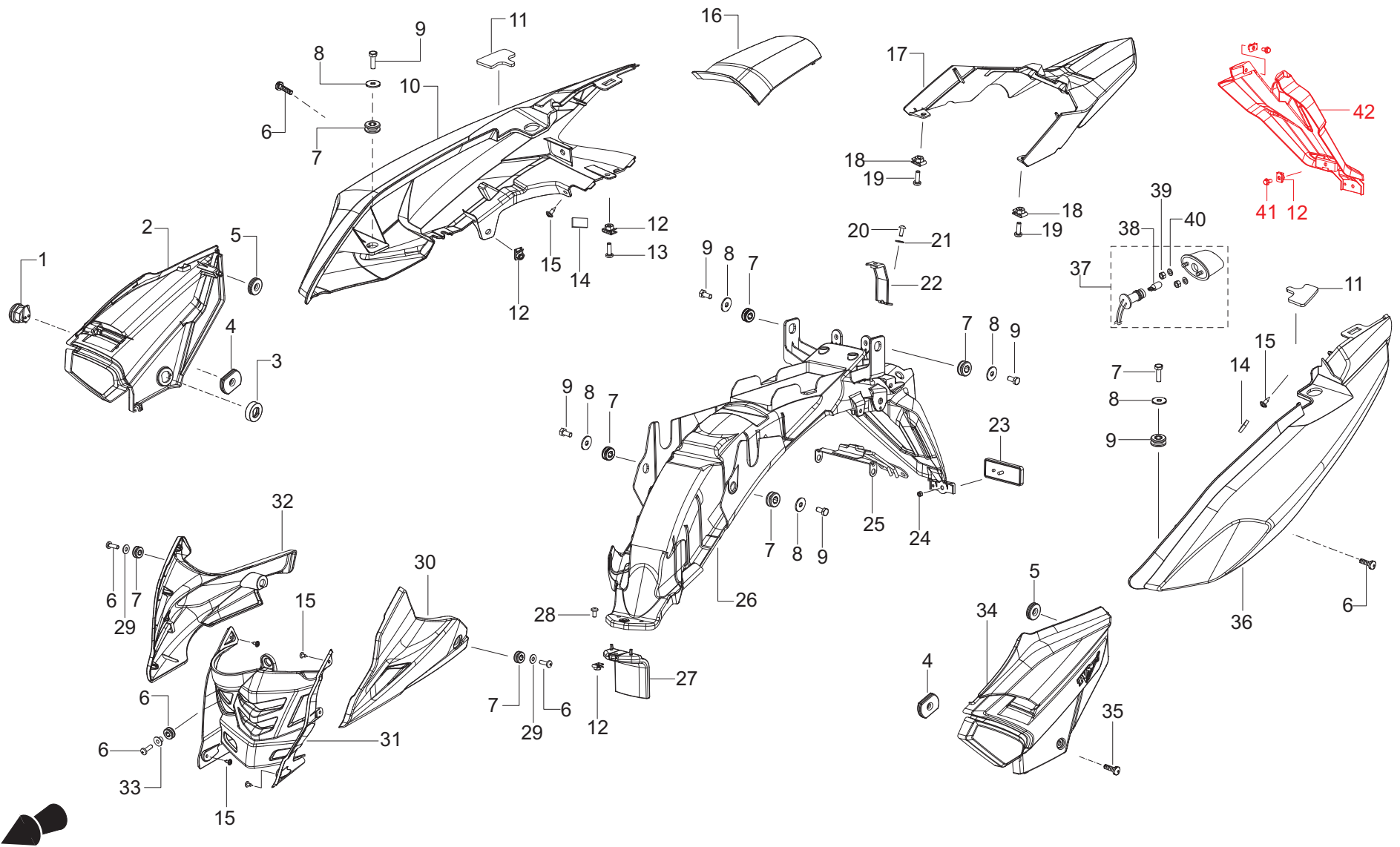
PANELS AND REAR FENDER ASSEMBLY

FIG. NO. 18A

REF. NO.	PART NO.	DESCRIPTION	QUANTITY				REMARKS
			RTR 160 SD	RTR 160 DD	RTR 160 SD REF.	RTR 180 DD	
1	N9212050	LOCK ASSY. COVER FRAME			1	1	
2	————→	COVER FRAME RH			1	1	REF. PAGE 129
3	N9220530	CUSHION LOCK COVER FRAME			1	1	
4	K122810	CUSHION FRAME COVER			2	2	
5	N3130100	CUSHION COVER FRAME			2	2	
6	N5200440	CRR PAN HD SCREW M6x20			5	5	
7	N3120130	GROMMET			9	9	
8	0335618	PUNCHED WASHER 6.5x16x1.2			6	6	
9	420462700	HEX SCREW M6X20 8.8 ZNB			6	6	
10	————→	COVER SEAT TAIL RH			1	1	REF. PAGE 129
11	N9220560	CUSHION PILLION HANDLE			2	2	
12	K3200840	RETAINER CLIP NUT M6			7	7	
13	M1201050	CRPH SCR M6x14 6.8 ZNK			1	1	
14	R1220770	CUSHION HEAD LAMP			2	2	
15	N3200340	CRR FLANGE PAN HEAD TAP SCREW			6	6	
16	————→	TAIL COVER CENTER			1	1	REF. PAGE 129
17	N9222300	COVER ILLUMINATOR			1	1	
18	K3200830	RETAINER CLIP NUT M5			2	2	
19	M1200660	CRR PAN HEAD SCREW M5x16			2	2	
20	0335605	SCREW CRPH M6.5x16x1.2			1	1	
21	0335608	PUNCHED WASHER 6.5x16			1	1	
22	N9222080	BRKT FENDER TOP			1	1	
23	M7160120	REFLEX REFLECTOR ASSY.			1	1	
24	420302700	HEX NUT M5			1	1	
25	N9222040	BRKT COMP FENDER REAR			1	1	

FIG. NO. 18A

PANELS AND REAR FENDER ASSEMBLY



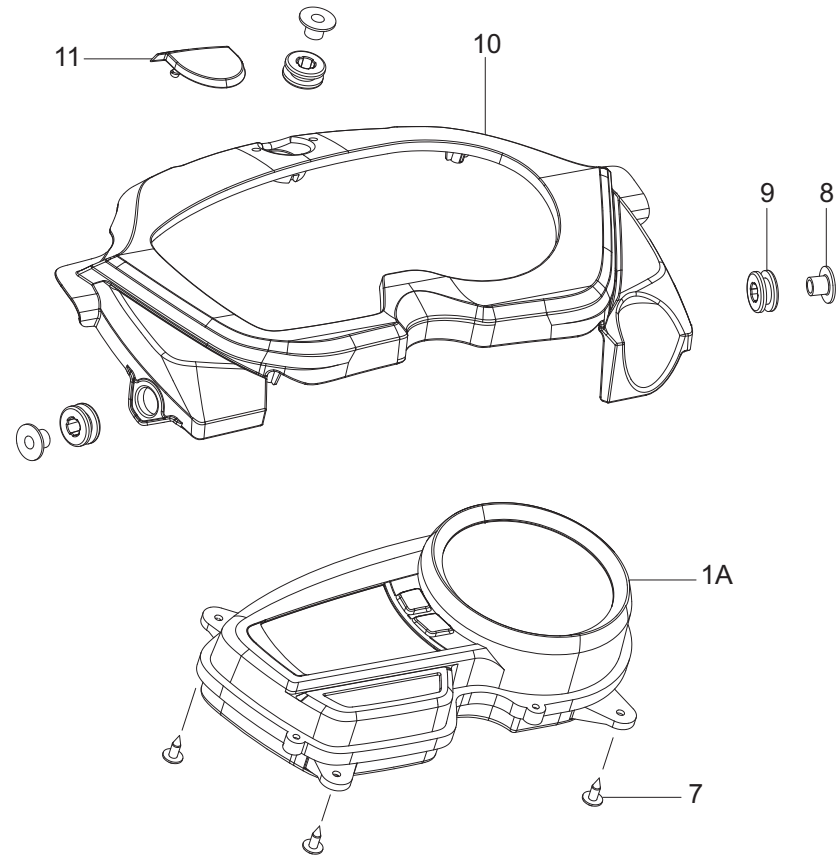
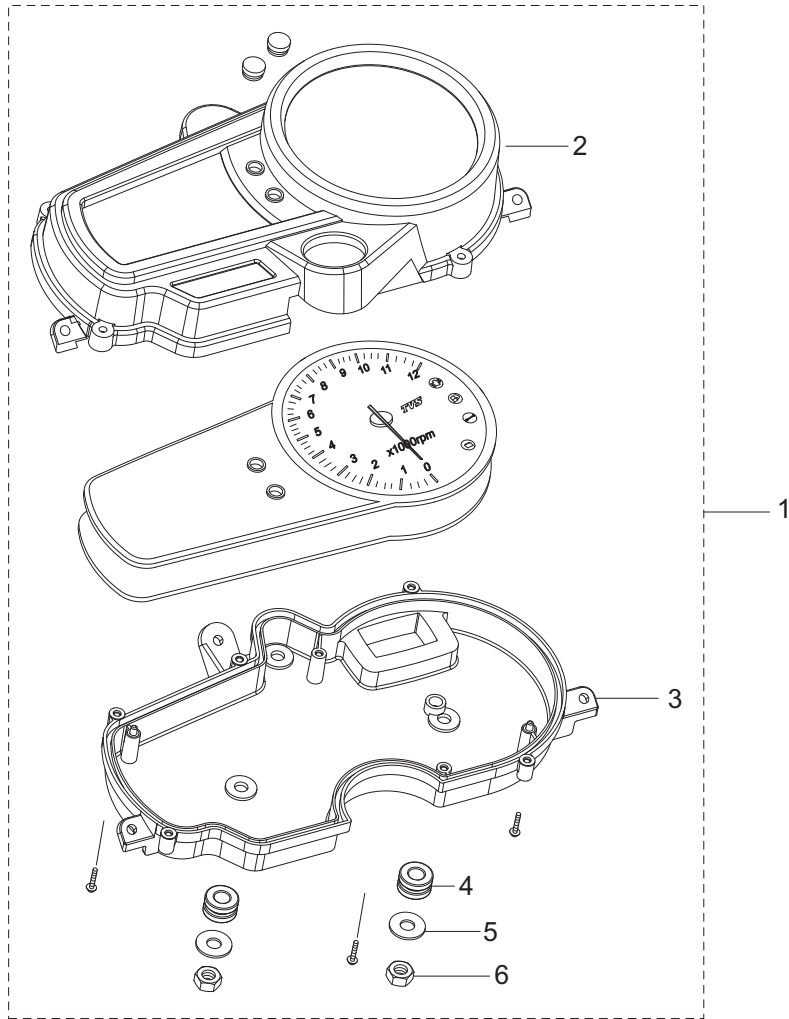
PANELS AND REAR FENDER ASSEMBLY

FIG. NO. 18A

REF. NO.	PART NO.	DESCRIPTION	QUANTITY				REMARKS
			RTR 160 SD	RTR 160 DD	RTR 160 SD REF.	RTR 180 DD	
26	N9223890	FENDER REAR			1	1	
27	N9220480	BODY FRONT FENDER REAR			1	1	
28	P3200010	CRR PAN HD SCREW M6x12			1	1	
29	N5200480	PUNCHED WASHER 6.5x20x1.6			2	2	
30	————→	ENGINE GUARD LH			1	1	REF. PAGE 129
31	N9222779	ENGINE GUARD CENTER			1	1	
32	————→	ENGINE GUARD RH			1	1	REF. PAGE 129
33	N8122610	CUP WASHER			1	1	
34	————→	COVER FRAME LH			1	1	REF. PAGE 129
35	420518700	CRR PAN HEAD SCREW M6x20			1	1	
36	————→	TAIL COVER LH			1	1	REF. PAGE 129
37	N9220490	NUMBER PLATE ILLUMINATOR LAMP			1	1	
38	N4160320	BULB POSITION LAMP CAPLESS 12V 4W			1	1	
39	420302700	HEX NUT M5			2	2	
40	0335558	PUNCHED WASHER5.5x12x1			2	2	
41	C8200040	HEX FLANGE BOLT M6x12			3	3	
42	N9222010	FLAP REAR FENDER			3	3	

FIG. NO. 19

SPEEDOMETER ASSEMBLY



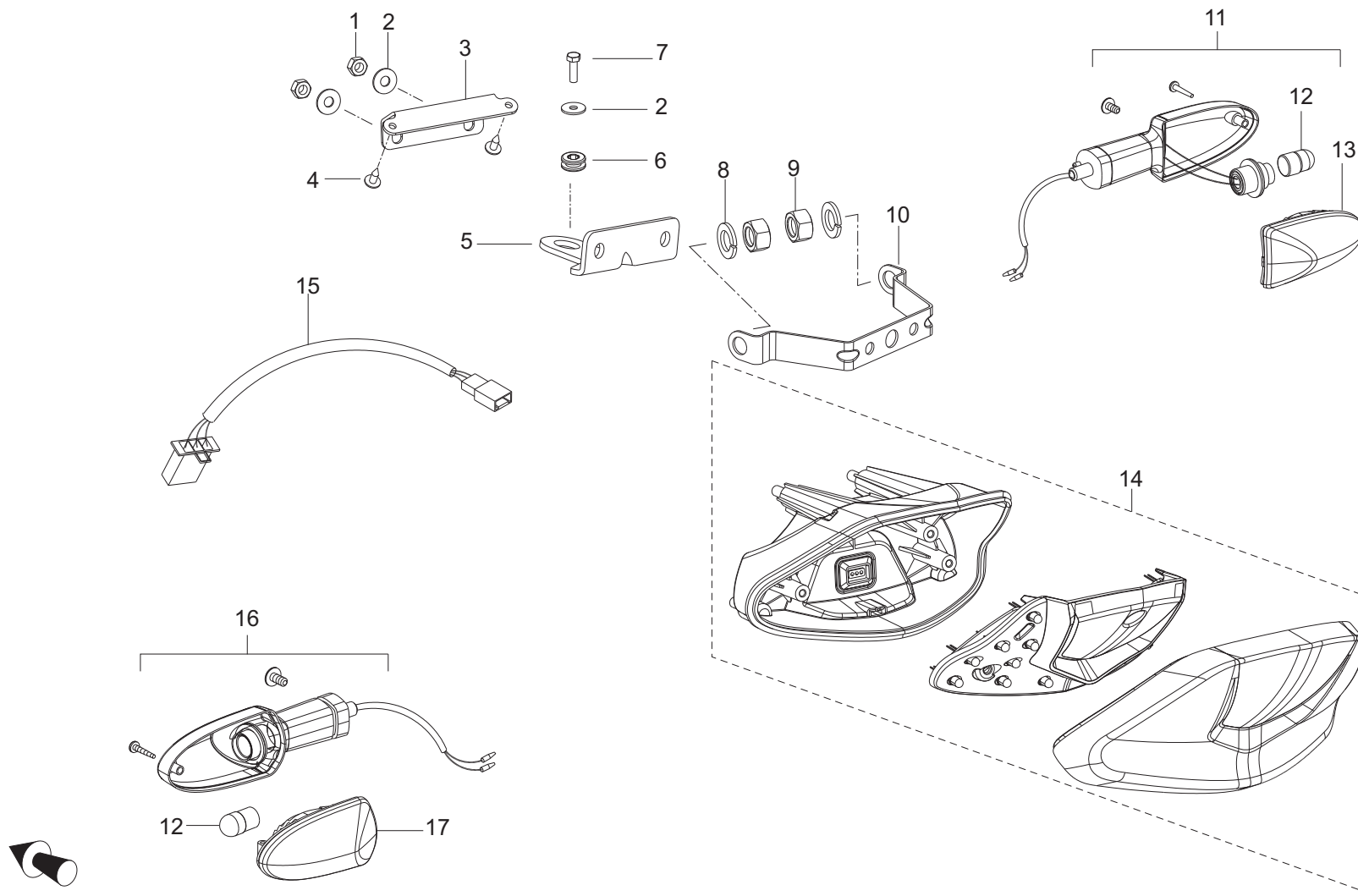
SPEEDOMETER ASSEMBLY

FIG. NO. 19

REF. NO.	PART NO.	DESCRIPTION	QUANTITY				REMARKS
			RTR 160 SD	RTR 160 DD	RTR 160 SD REF.	RTR 180 DD	
1	N9221150	SPEEDOMETER ASSY	1	1			
1A	N9222990	SPEEDOMETER ASSY (RTR REF.)			1	1	
2	N9322040	COVER TOP SPEEDOMETER	1	1			
3	N9322050	COVER BOTTOM SPEEDOMETER	1	1			
4	N9220760	GROMMET SPEEDOMETER	3	3			
5	0335608	WASHER	3	3			
6	420305700	HEX NUT M6 8 ZNB	3	3			
7	N3200340	CRR FL. PAN HEAD TAP. SCREW			3	3	
8	N8122610	CUP WASHER			3	3	
9	N3120130	GROMMET HEADLAMP			3	3	
10	N9222970	HOUSING HEADLAMP REAR			1	1	
11	N9223960	COVER HOUSING HEADLAMP REAR			1	1	

FIG. NO. 20

REAR COMBINATION LAMP ASSEMBLY



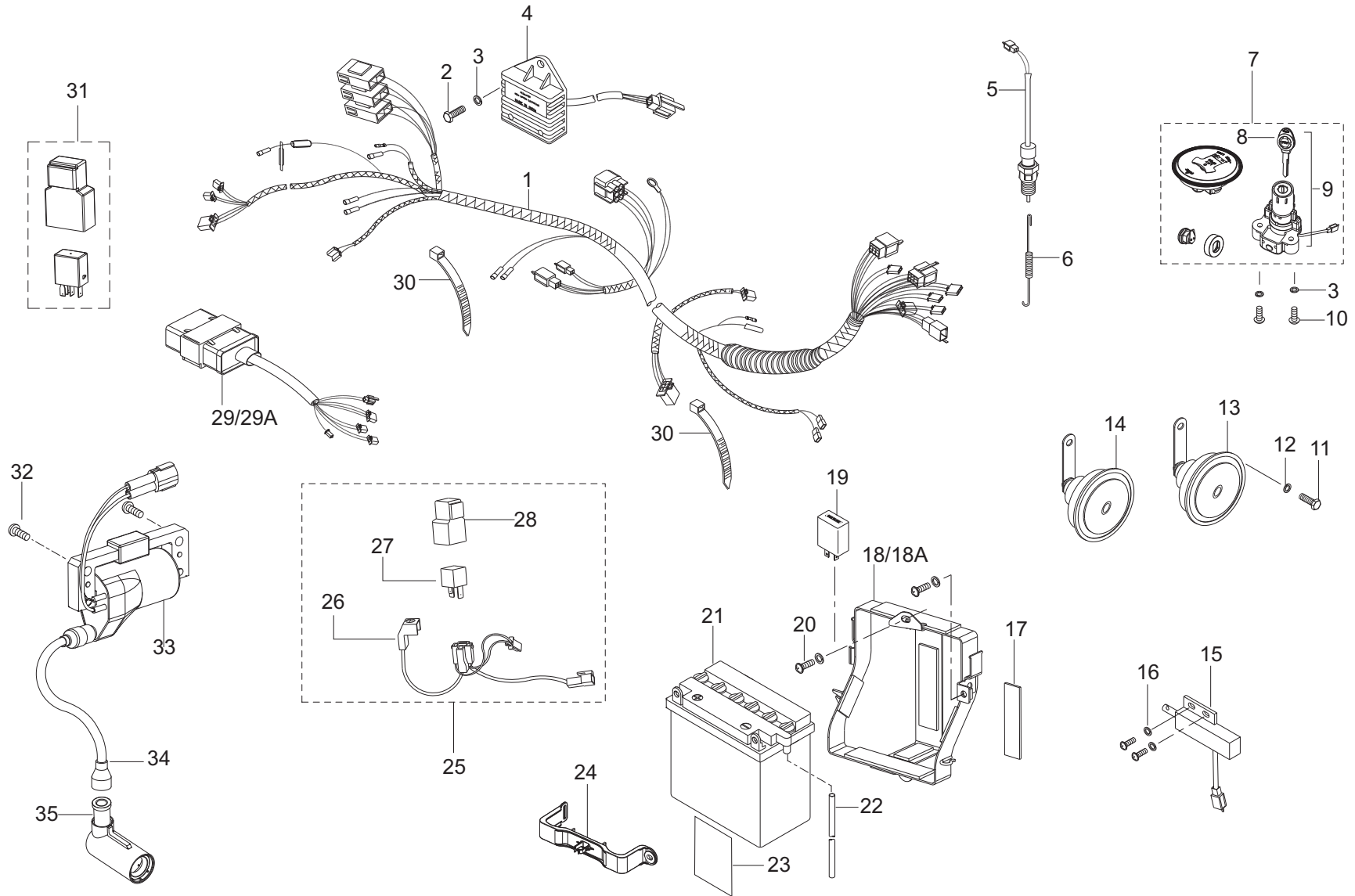
REAR COMBINATION LAMP ASSEMBLY

FIG. NO. 20

REF. NO.	PART NO.	DESCRIPTION	QUANTITY				REMARKS
			RTR 160 SD	RTR 160 DD	RTR 160 SD REF.	RTR 180 DD	
1	P1200060	HEX NUT M6	2	2	2	2	
2	0335608	PUNCHED WASHER 6.5x16x1.2	3	3	3	3	
3	N9220400	BRAKT TAIL LAMP	1	1	1	1	
4	N3200340	CRR FL PAN HD SCREW ST4.2x13	2	2	2	2	
5	N9220960	BRACKET TAIL LAMP	1	1	1	1	
6	N8220180	CUSHION RC LAMP	1	1	1	1	
7	420463700	HEX SCREW M6x25	1	1	1	1	
8	0330328	WAVE SPRING WASHER M10	2	2	2	2	
9	0334038	HEX NUT M10	2	2	2	2	
10	N9221290	BRKT FENDER REAR	1	1			
11	N9161390	TURN SIGNAL LAMP ASSY, REAR RH	1	1	1	1	
12	K3160450	AMBER BULB 12V 10V	2	2	2	2	
13	N9321820	LENS AND REFLECTOR COMP. FL/RR	1	1	1	1	
14	N9161080	TAIL LAMP ASSY. (LED)	1	1	1	1	
15	N9322150	HARNESS ASSY. TAIL LAMP	1	1	1	1	
16	N9161380	TURN SIGNAL LAMP ASSY. REAR LH	1	1	1	1	
17	N9321830	LENS AND REFLECTOR COMP. FR/RL	1	1	1	1	

FIG. NO. 21

ELECTRICAL SYSTEM



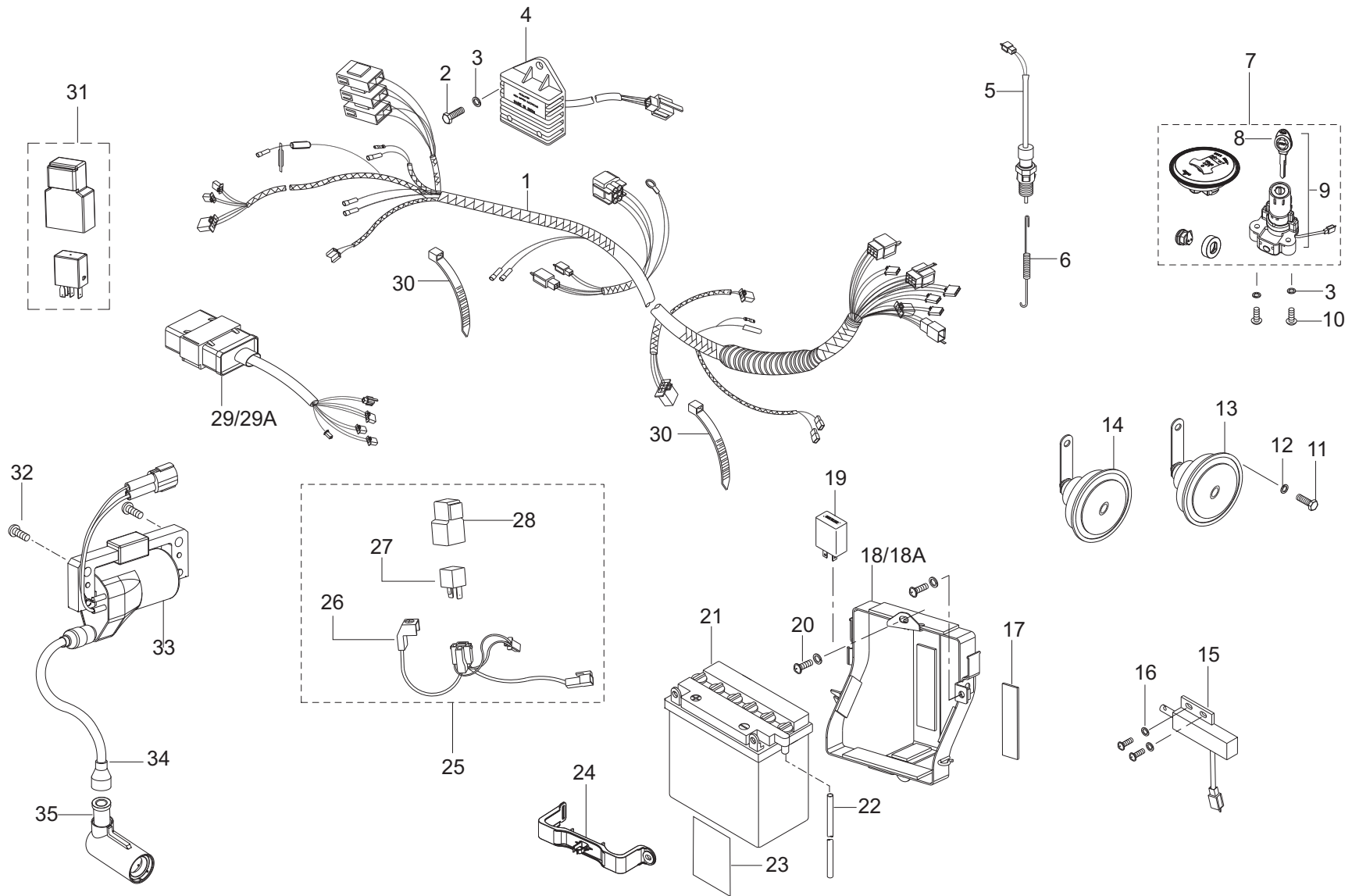
ELECTRICAL SYSTEM

FIG. NO. 21

REF. NO.	PART NO.	DESCRIPTION	QUANTITY				REMARKS
			RTR 160 SD	RTR 160 DD	RTR 160 SD REF.	RTR 180 DD	
1	N9161190	WIRING HARNESS	1	1	1	1	
2	420452700	HEX SCREW M6x12	1	1	1	1	
3	0330408	SPRING WASHER M6	3	3	3	3	
4	R1060070	REGULATOR DC	1	1	1	1	
5	N9160900	SWITCH ASSY. STOP LAMP REAR	1	1	1	1	
6	N8111110	SPRING STOP LAMP SWITCH	1	1	1	1	
7	N9212210	LOCK SET	1	1	1	1	
8	N9321400	BLANK KEY	1	1	1	1	
9	N9160480	STEERING /IGNITION LOCK	1	1	1	1	
10	420518700	CRR PAN HEAD SCREW M6x20	2	2	2	2	
11	420477700	HEX SCREW M8x16	2	2	2	2	
12	0330318	WAVE SPRING WASHER M8	2	2	2	2	
13	N9160850	HORN LH	1	1	1	1	
14	N9160840	HORN RH	1	1	1	1	
15	N9161890	THROTTLE SWITCH ASSY	1	1	1	1	
16	0331708	CRR PAN HEAD SCREW M5x12	2	2	2	2	
17	N9160680	CUSHION SET - BATTERY	1	1	1	1	
18	N9124430	HOLDER COMP. BATTERY	1	1			
18A	N9125310	HOLDER COMP. BATTERY	1	1	1	1	
19	N9160380	ELECTRONIC FLASHER UNIT	1	1	1	1	
20	0332275	CRR PAN HEAD SCREW M6x16	2	2	2	2	
21	M7060190	BATTERY ASSY.UNCHARGED (9 AMPS)	1	1	1	1	
22	N3060110	BATTERY BREATHER HOSE	1	1	1	1	
23	N9212390	STICKER COMP BATTERY	1	1	1	1	
24	N9122690	CLAMP BATTERY	1	1	1	1	

FIG. NO. 21

ELECTRICAL SYSTEM



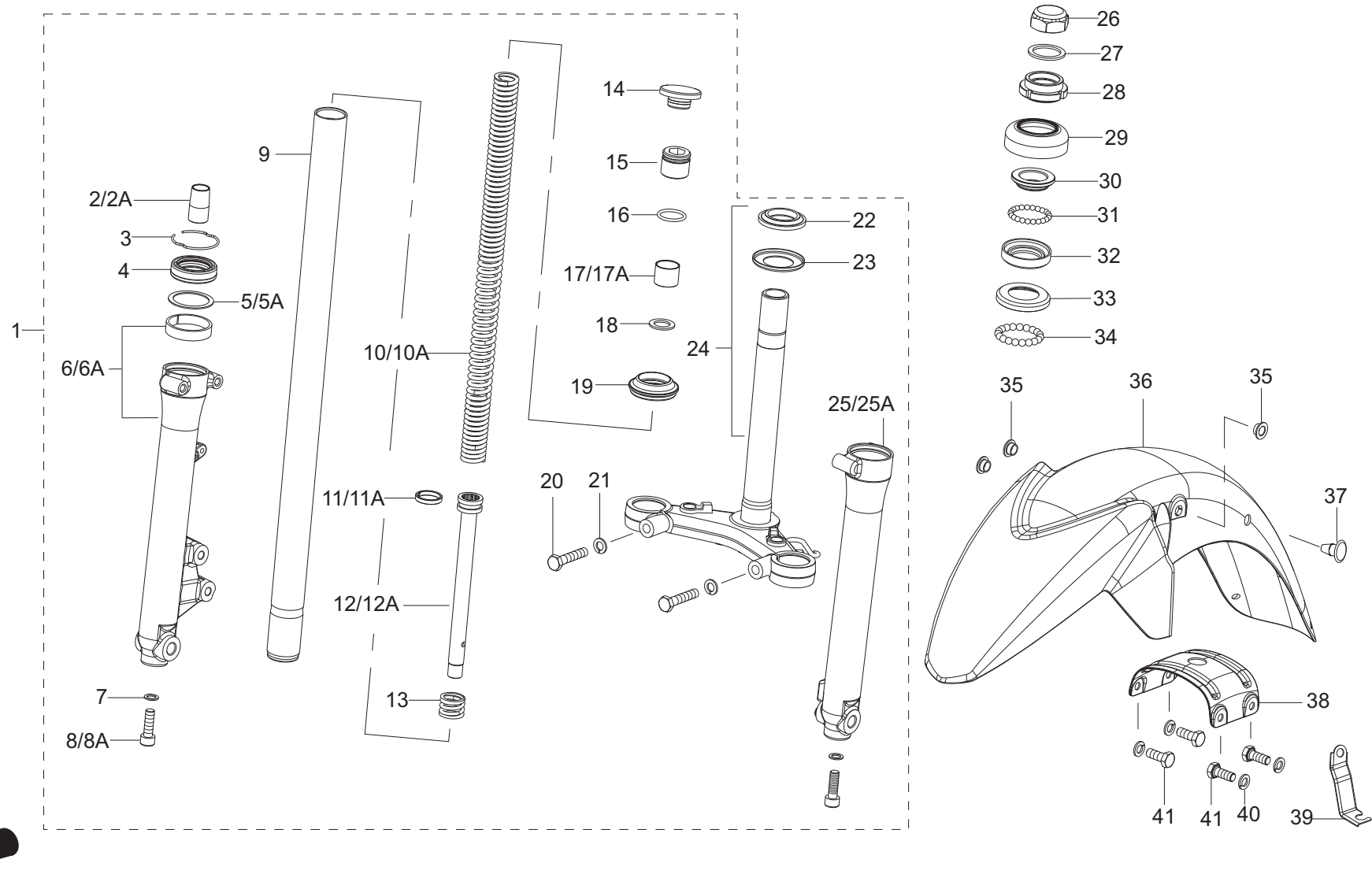
ELECTRICAL SYSTEM

FIG. NO. 21

REF. NO.	PART NO.	DESCRIPTION	QUANTITY				REMARKS
			RTR 160 SD	RTR 160 DD	RTR 160 SD REF.	RTR 180 DD	
25	N9162030	STARTER RELAY ASSY	1	1	1	1	
26	N9161840	STARTER RELAY	1	1	1	1	
27	N9162120	CORDSET STARTER RELAY	1	1	1	1	
28	R3160090	BOOT STARTER RELAY	1	1	1	1	
29	N9060370	TCI UNIT RTR 160	1	1	1		
29A	N9060430	TCI UNIT RTR180				1	
30	N3160340	CLAMP WIRING HARNESS (BIG SIZE)	2	2	2	2	
31	N9161260	RELAY PASS BY ASSY.	1	1	1	1	
32	M1203670	CRR. PAN HD TAP SCR M6x12	2	2			
33	N9060180	COIL ASSEMBLY IGNITION	1	1	1	1	
34	0098010	SEAL HIGH TENSION CORD	1	1	1	1	
35	N9060280	SUPPRESSOR CAP SHIELDED	1	1	1	1	

FIG. NO. 22

FRONT FORK ASSEMBLY



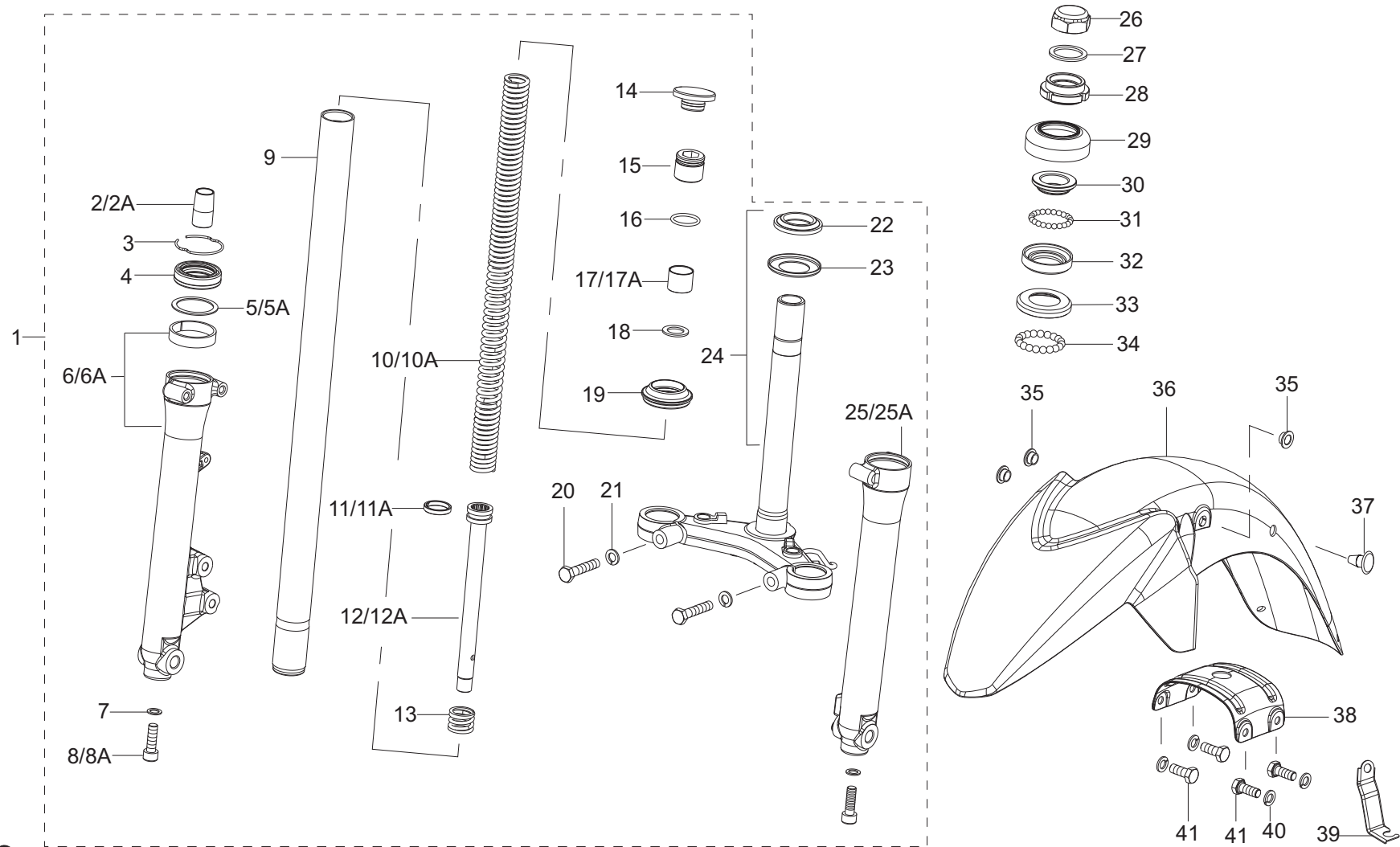
FRONT FORK ASSEMBLY

FIG. NO. 22

REF. NO.	PART NO.	DESCRIPTION	QUANTITY				REMARKS
			RTR 160 SD	RTR 160 DD	RTR 160 SD REF.	RTR 180 DD	
1	N9101080	FRONT FORK ASSY (RTR 180)	1	1	1		
1A	N91010808R	FRONT FORK ASSY (RTR 160)				1	
2	N3100300	SPINDLE TAPER (GIL)	2	2	2	2	
2A	N9322860	KIT PIECE OIL LOCK (TOP) (KIT SUPPLIED WITH REF. NO. 2,7 & 8)	2	2	2		
3	N3100730	CIRCLIP FRONT FORK	2	2	2		
3A	N3100730	CIRCLIP FRONT FORK				2	
4	N3102420	OIL SEAL FRONT FORK	2	2	2	2	
5	N9100890	WASHER DU BUSH	2	2	2	2	
6	N9100870	FORK OUTER TUBE RH (RTR 160)	1	1	1		
6A	N91008708R	FORK OUTER TUBE RH (RTR 180)				1	
7	N8101220	PACKING	2	2	2	2	
8	N8101230	HEX ALLEN SCREW (GIL)	2	2	2	2	
8A	N9322860	KIT PIECE OIL LOCK (TOP) (KIT SUPPLIED WITH REF. NO. 2,7 & 8)	2	2	2		
9	N9101090	INNER TUBE	2	2	2	2	
10	N5101939	SPRING FRONT FORK (GIL)	2	2	2	2	
10A	N9322830	KIT SPRING FR. FORK (TOP) (KIT SUPPLIED WITH REF. NO. 10 & 17)	2	2	2		
11	N3100330	PISTON RING (GIL)	2	2	2	2	
11A	N9322820	PISTON RING (TOP)	2	2	2		
12	N9101120	PISTON FRONT FORK (GIL)	2	2	2	2	
12A	N9322800	KIT PISTON FR. FORK (TOP) (KIT SUPPLIED WITH REF. NO. 11&12)	2	2	2		
13	N8101320	SPRING PISTON	2	2	2	2	
14	N9101020	CAP FRONT FORK	2	2	2	2	
15	M7100310	NUT FRONT FORK	2	2	2	2	
16	7100300	O RING	2	2	2	2	
17	N9101010	SPACER FRONT FORK (GIL)	2	2	2	2	

FIG. NO. 22

FRONT FORK ASSEMBLY



FRONT FORK ASSEMBLY

FIG. NO. 22

REF. NO.	PART NO.	DESCRIPTION	QUANTITY				REMARKS
			RTR 160 SD	RTR 160 DD	RTR 160 SD REF.	RTR 180 DD	
17A	N9322830	KIT SPRING FR. FORK (TOP) (KIT SUPPLIED WITH REF. NO. 10 & 17)	2	2	2		
18	N5101979	WASHER SPRING SEAT	2	2	2	2	
19	N3102410	DUST SEAL	2	2	2	2	
20	420955700	HEX SCREW M8x40	2	2	2	2	
21	0330318	WAVE SPRING WASHER M8	2	2	2	2	
22	N8120910	CONE BOTTOM	1	1	1	1	
23	N8120920	DUST SEAL STEERING LOWER	1	1	1	1	
24	N9322140	LOWER BRKT COMP.	1	1	1	1	
25	N9101060	FORK OUTER TUBE LH (RTR 160)	1	1	1	1	
25A	N91010608R	FORK OUTER TUBE LH				1	
26	410058700	STEERING LOCK NUT	1	1	1	1	
27	410043700	SPECIAL WASHER	1	1	1	1	
28	0254088	ARRESTER STEERING STEM	1	1	1	1	
29	M7101170	DUST SEAL STEERING UPPER	1	1	1	1	
30	S1101150	RACE STEERING OUTER	1	1	1	1	
31	420404000	3/16 BALLS	22	22	22	22	
32	S1125290	RACE STEERING INNER	1	1	1	1	
33	K3100590	CUP BOTTOM	1	1	1	1	
34	K3200450	STEERING BALL LOWER (DIA 6.35)	19	19	19	19	
35	M7101020	SPACER FRONT FENDER	4	4	4	4	
36	→	FRONT FENDER	1	1	1	1	REF. PAGE 129
37	U2100190	PLUG, FENDER FRONT	1	1	1	1	
38	M7100370	BRACE FENDER	1	1	1	1	
39	N9112180	CLAMP SPEED SENSOR	1	1	1	1	
40	0330318	WAVE SPRING WASHER M8	4	4	4	4	

FIG. NO. 22

FRONT FORK ASSEMBLY

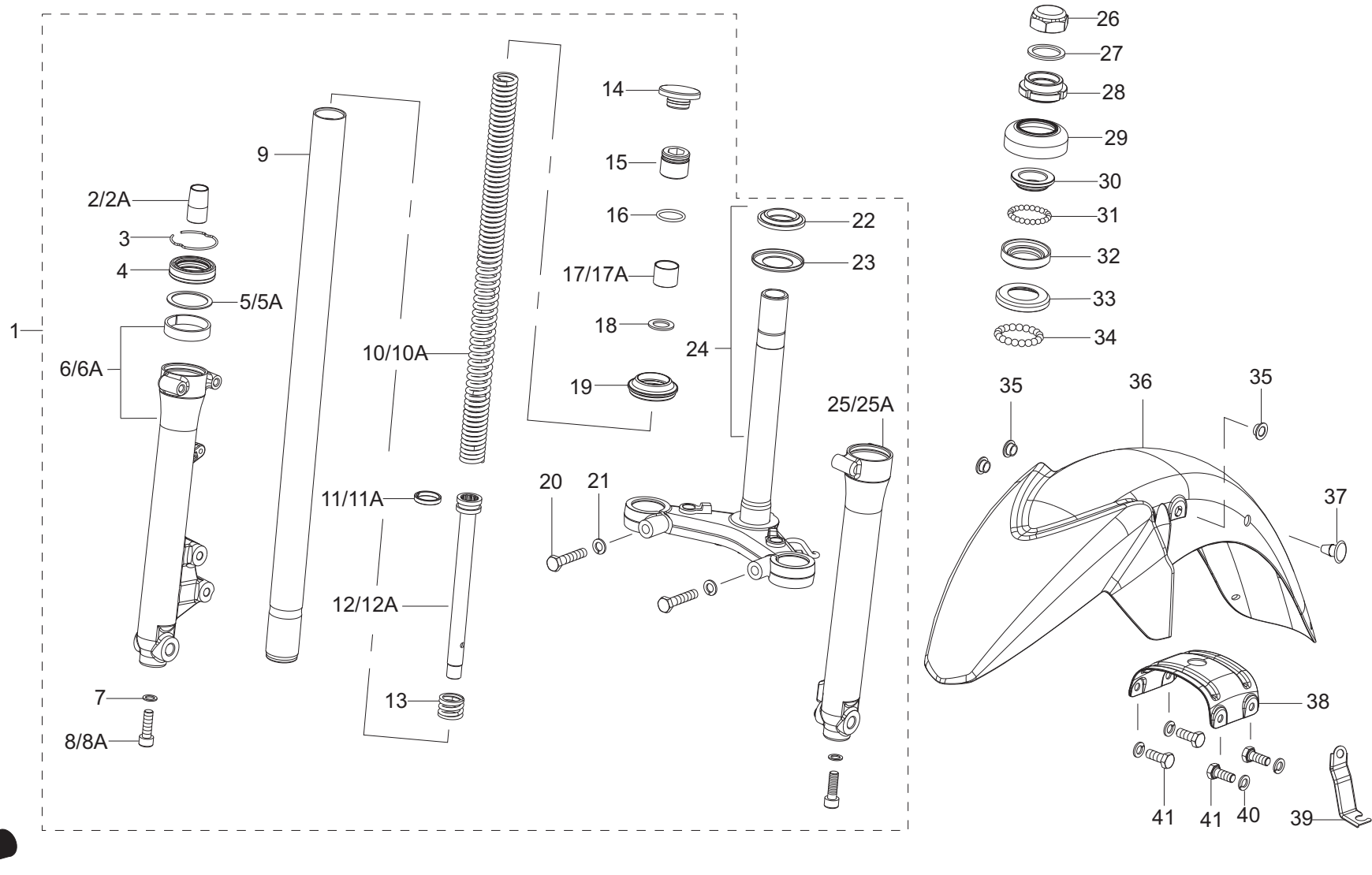
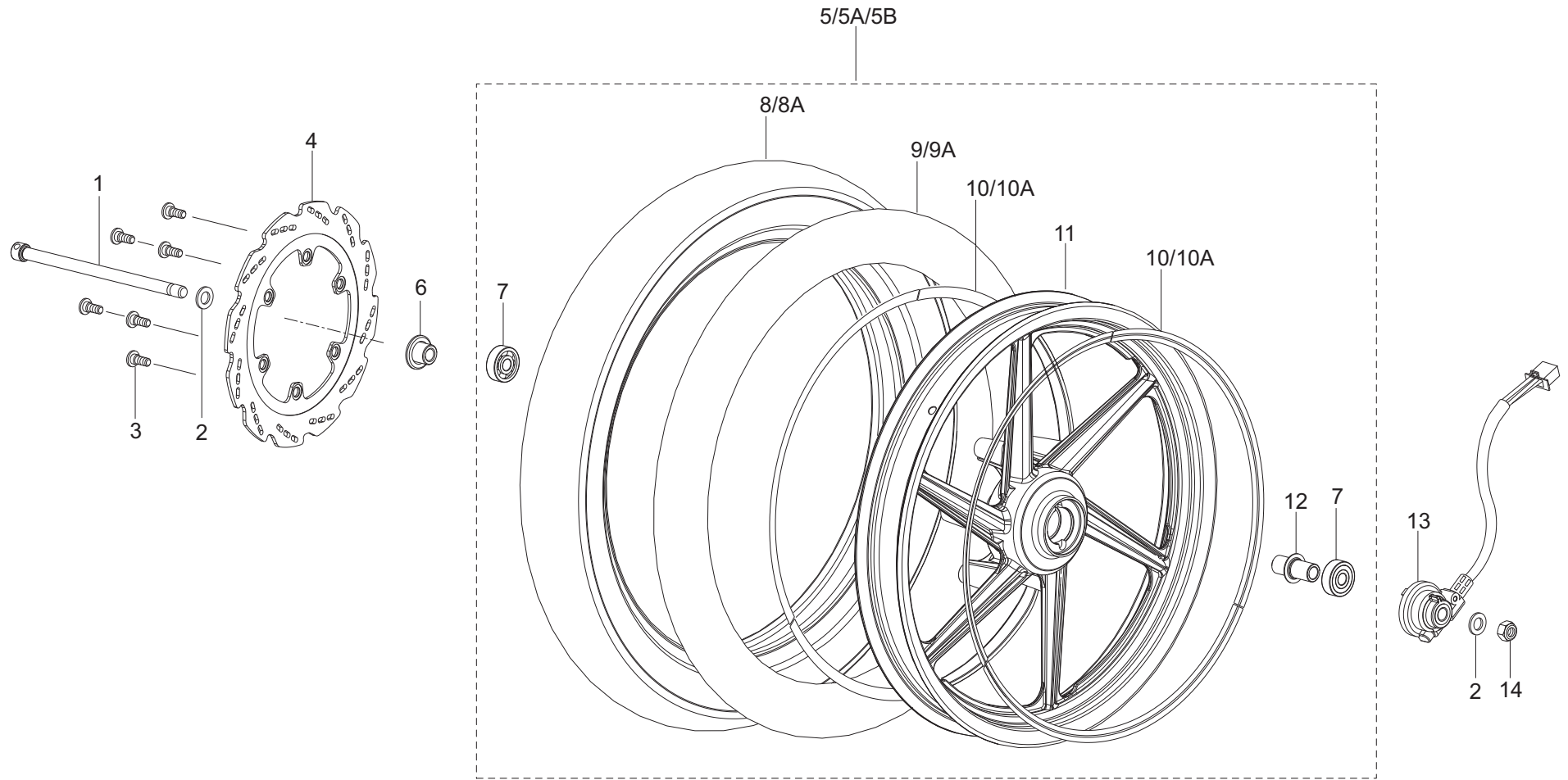


FIG. NO. 23

FRONT WHEEL ASSEMBLY



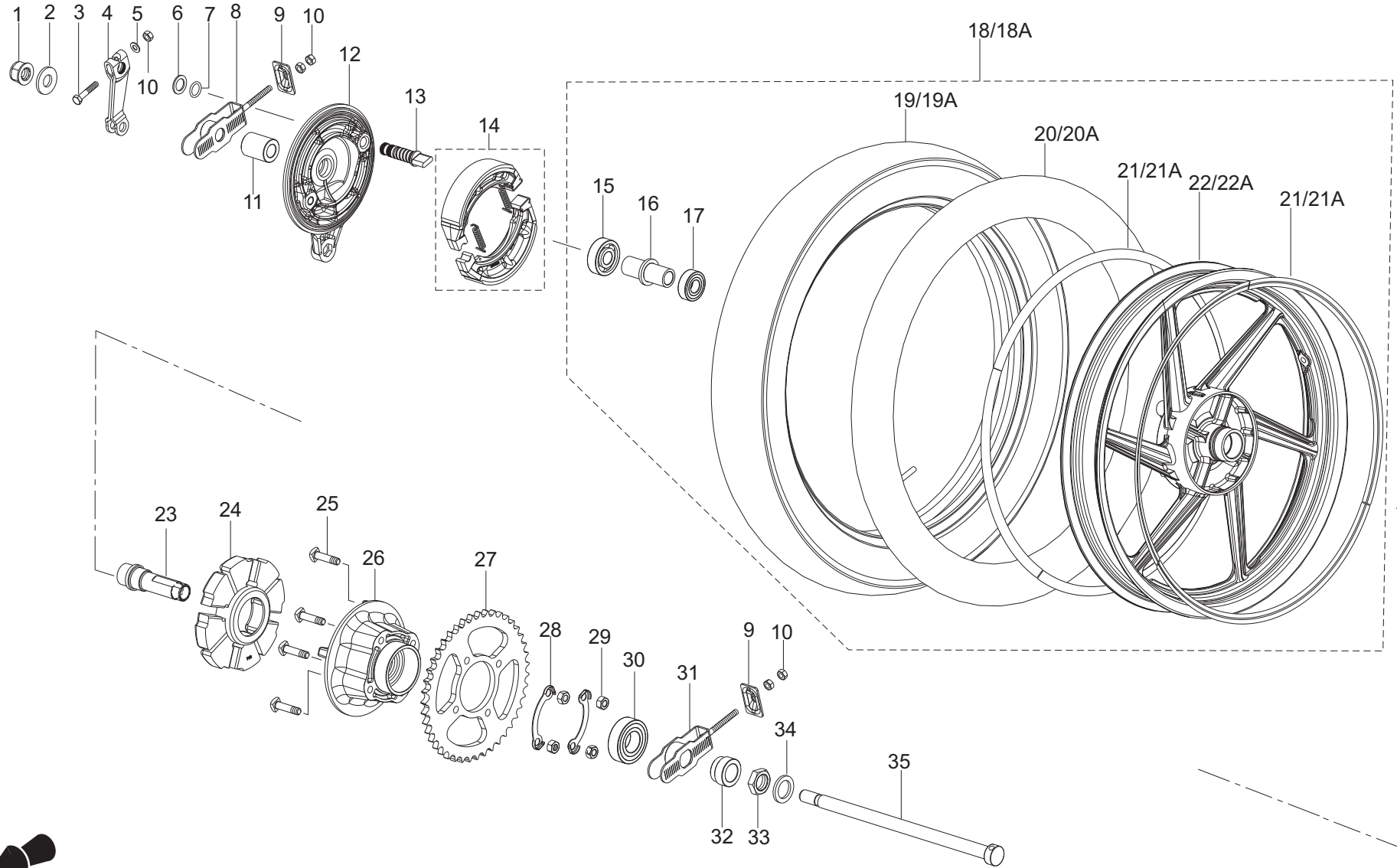
FRONT WHEEL ASSEMBLY

FIG. NO. 23

REF. NO.	PART NO.	DESCRIPTION	QUANTITY				REMARKS
			RTR 160 SD	RTR 160 DD	RTR 160 SD REF.	RTR 180 DD	
1	N3110990	AXLE Ø12 x 221.5	1	1	1	1	
2	0335538	PUNCHED WASHER 12.5 x 22 x 2.3	2	2	2	2	
3	M7110090	SCREW SPECIAL M8	6	6	6	6	
4	N9111890	DISC PLATE	1	1	1	1	
5A	N9113840	WHEEL ASSY FR ALLOY (RTR 160)	1	1	1		
5B	N9113900	WHEEL ASSY FR ALLOY(RTR 180)				1	
6	M7110100	SPACER COMP. LH	1	1	1	1	
7	N3200010	BALL BEARING 12x37x12 C3 6301 Rs1	2	2	2	2	
8	N9113850	TYRE 17 FRONT	1	1	1	1	
9	N9113860	TUBE ASSY FRONT	1	1	1	1	
10	N9222359	TAPESET ALLOY WHEEL - RED (RTR160)	2	2	2		
10A	N9216580	TAPE SET ALLOY WHEEL - WHITE (RTR180)				2	
11	N9111100	ALLOY WHEEL FRONT 1.85x17 BLACK	1	1	1	1	
12	M7110160	SPACER COMP. FRONT HUB BEARING	1	1	1	1	
13	N9111800	SPEED SENSOR	1	1	1	1	
14	0334158	U NUT M12 x 1.25	1	1	1	1	

FIG. NO. 24

REAR WHEEL ASSEMBLY (DRUM BRAKE)



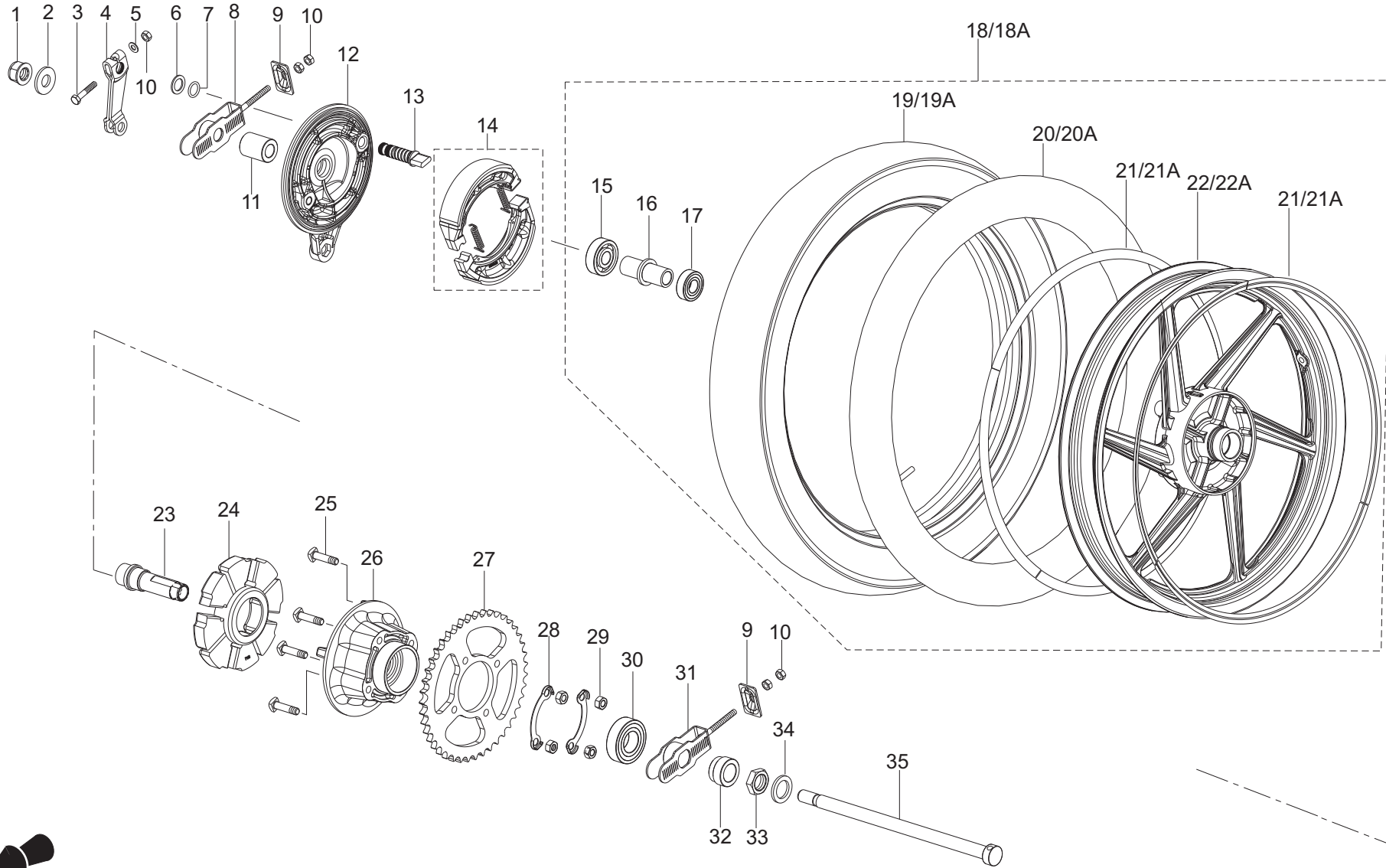
REAR WHEEL ASSEMBLY (DRUM BRAKE)

FIG. NO. 24

REF. NO.	PART NO.	DESCRIPTION	QUANTITY				REMARKS
			RTR 160 SD	RTR 160 DD	RTR 160 SD REF.	RTR 180 DD	
1	K200410	U NUT M14x1.5	1		1		
2	M7200020	PUNCHED WASHER 14.5x32x3.2	1		1		
3	0331248	HEX BOLT M6x1x33	1		1		
4	M7110770	LEVER BRAKE CAM	1		1		
5	0335578	PUNCHED WASHER 6.5x13.0x1.0	1		1		
6	0335698	PUNCHED WASHER 14.5x22x1.6	1		1		
7	0178030	O RING BRAKE CAMBRAKE	1		1		
8	N9091340	CHAIN ADJUSTER COMP. RH	1		1		
9	N3091850	CLAMP CHAIN ADJUSTER	2		2		
10	420305700	HEX NUT M6 8	4		4		
11	M71107505D	SPACER REAR AXLE RH BLACK	1		1		
12	11124505D	PANEL BRAKE REAR BLACK	1		1		
13	N2110130	CAM BRAKE	1		1		
14	1110020	BRAKE SHOE SET DIA130	1		1		
15	1339510	BALL BEARING 15x42x13 C3 6302Z	1		1		
16	1182200	SPACER COMP.	1		1		
17	1339520	BALL BEARING 15x35x11 C3 6202Z	1		1		
18	N9111160B	WHEEL ASSY REAR - 18 INCH	1				
18A	N9113800	WHEEL ASSY REAR - 17 INCH			1		
19	N9112950	TYRE REAR 100/80 - 18 INCH	1				
19A	N9113810	TYRE REAR 100/80 - 17 INCH			1		
20	N9111790	TUBE ASSY 100/80-18 INCH	1				
20A	N9113820	TUBE 17 INCH			1		
21	N9322320	TAPESSET KIT WHEEL REAR (6 PIECES)	1				
21A	N9222359	TAPE ALLOY WHEEL FR RIM 17- RED - RTR160			2		

FIG. NO. 24

REAR WHEEL ASSEMBLY (DRUM BRAKE)



REAR WHEEL ASSEMBLY (DRUM BRAKE)

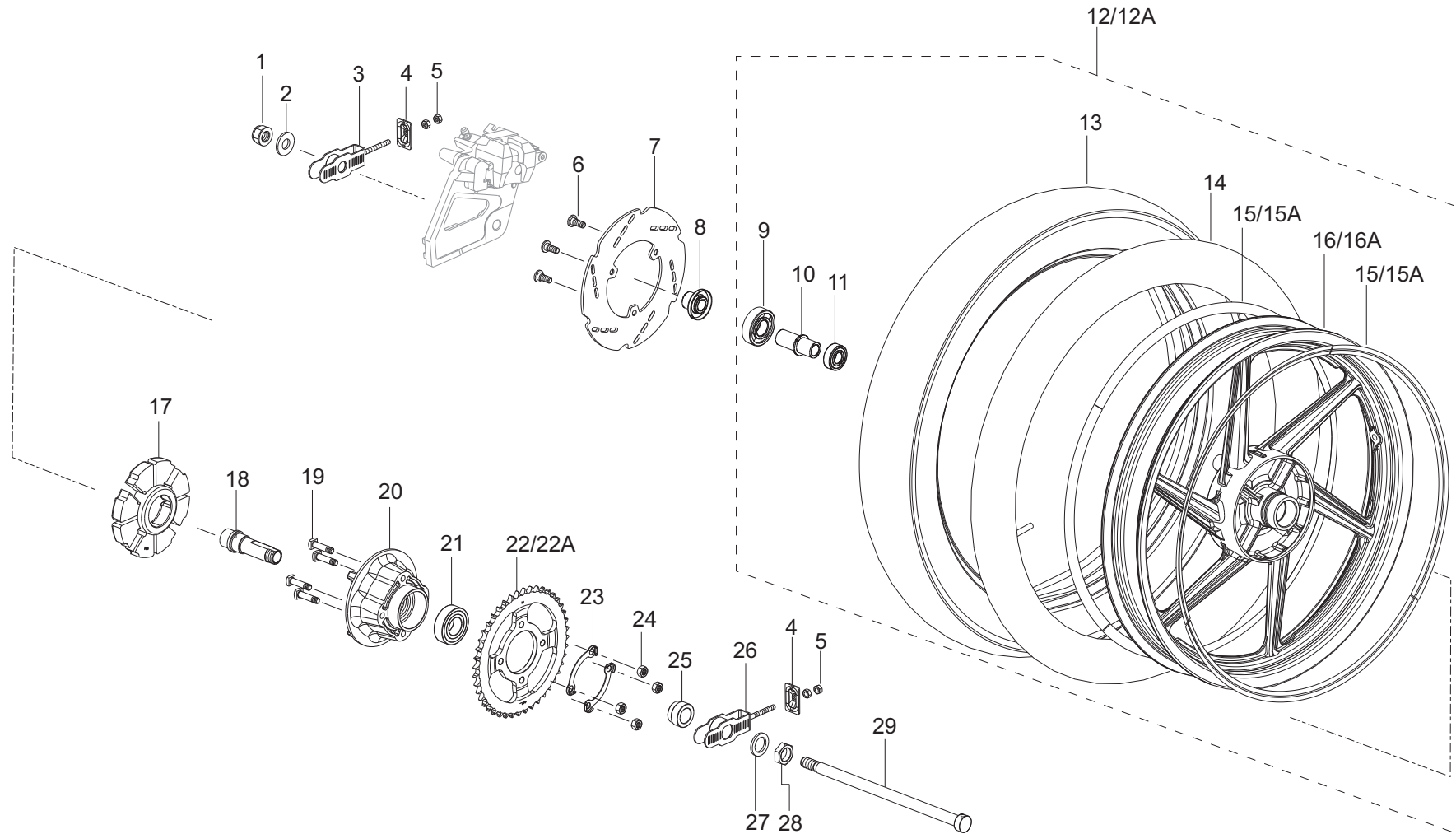
FIG. NO. 24

REF. NO.	PART NO.	DESCRIPTION	QUANTITY				REMARKS
			RTR 160 SD	RTR 160 DD	RTR 160 SD REF.	RTR 180 DD	
22	N9112730	ALLOY WHEEL REAR BLACK - 18 INCH	1				
22A	N9112770	ALLOY WHEEL REAR BLACK - 17 INCH			1		
23	N9110690	SHAFT REAR SPROCKET MTG.	1		1		
24	1181150	ABSORBER RR WHEEL HUB SHOCK	1		1		
25	0331318	BOLT REAR SPROCKET	4		4		
26	1181070	DRUM REAR SPROCKET - 130 DIA	1		1		
27	N9112520	SPROCKET REAR 44T	1		1		
28	1181160	WASHER REAR SPROCKET	2		2		
29	0334548	HEX NUT M8	4		4		
30	1339120	BALL BEARING 25x52x15 RS1C3 6205	1		1		
31	N9091330	CHAIN ADJUSTER COMP. LH	1		1		
32	M7110740	SPACER RR AXLE LH	1		1		
33	0334640	HEX NUT M20	1		1		
34	M7200010	PUNCHED WASHER 21.6x32x3.2	1		1		
35	N9110700	REAR AXLE 15x290	1		1		
36	N9322710	CHAIN & SPROCKET KIT 13/44/124L	1		1		#

NOTE : # - For more details refer Kit details on Page 135

FIG. NO. 24A

REAR WHEEL ASSEMBLY (DISC BRAKE)



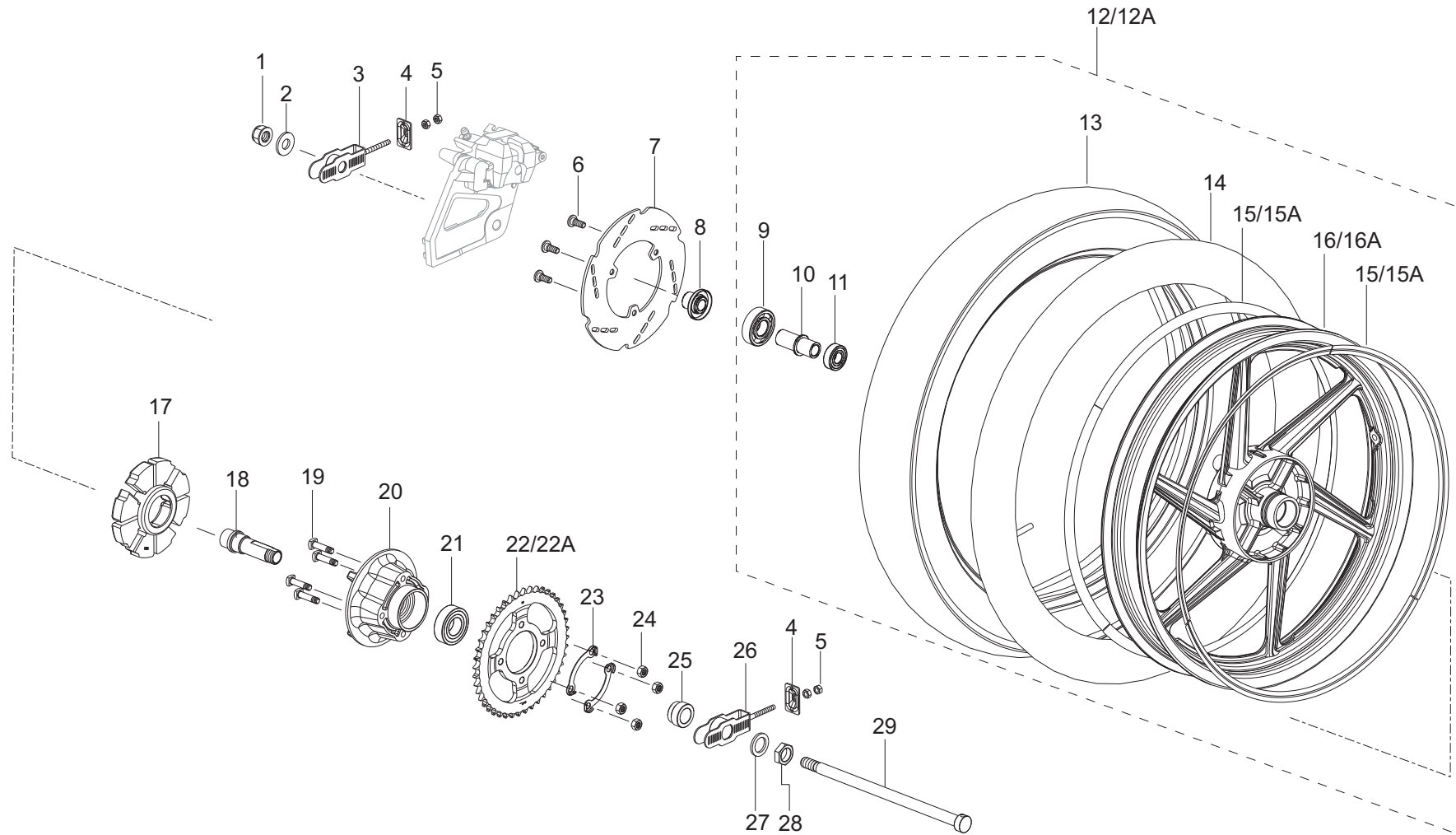
REAR WHEEL ASSEMBLY (DISC BRAKE)

FIG. NO. 24A

REF. NO.	PART NO.	DESCRIPTION	QUANTITY				REMARKS
			RTR 160 SD	RTR 160 DD	RTR 160 SD REF.	RTR 180 DD	
1	K200410	U NUT M14x1.5		1		1	
1	K200410	U NUT M14x1.5		1		1	
2	M7200020	PUNCHED WASHER 14.5x32x3.2		1		1	
3	N9091340	CHAIN ADJUSTER COMP. RH		1		1	
4	N3091850	CLAMP CHAIN ADJUSTER		2		2	
5	420305700	HEX NUT M6		4		4	
6	M7110090	SCREW SPECIAL M8		3		3	
7	N9111340	DISC PLATE 200mm REAR		1		1	
8	N9112190	SPACER COMP RR WHEEL RH		1		1	
9	1339510	BALL BEARING 15x42x13 C3 6302Z		1		1	
10	1182200	SPACER COMP.		1		1	
11	1339520	BALL BEARING 15x35x11 C3 6202Z		1		1	
12	N9112100	REAR WHEEL ASSY DISC - 18 INCH		1			
12A	N9113880	REAR WHEEL ASSY DISC - 17 INCH				1	
13	N9111150	TYRE REAR 100/80 - 18 INCH		1			
13A	N9113810	TYRE REAR 100/80 - 17 INCH				1	
14	N9111790	TUBE ASSY - 18 INCH		1			
14A	N9113820	TUBE ASSY - 17 INCH				1	
15	N9322320	TAPASET KIT WHEEL REAR (6 PIECES) - RED (RTR 160)		1			
15A	N9225490	TAPASET ALLOY WHEEL - WHITE (RTR 180)				6	
16	N9111110	ALLOY WHEEL REAR BLACK - 18 INCH		1			
16A	N9112840	ALLOY WHEEL REAR - 17 INCH				1	
17	1181150	ABSORBER REAR WHEEL HUB SHOCK		1		1	
18	N9110690	SHAFT REAR SPROCKET MTG.		1		1	
19	0331318	BOLT REAR SPROCKET		4		4	

FIG. NO. 24A

REAR WHEEL ASSEMBLY (DISC BRAKE)



REAR WHEEL ASSEMBLY (DISC BRAKE)

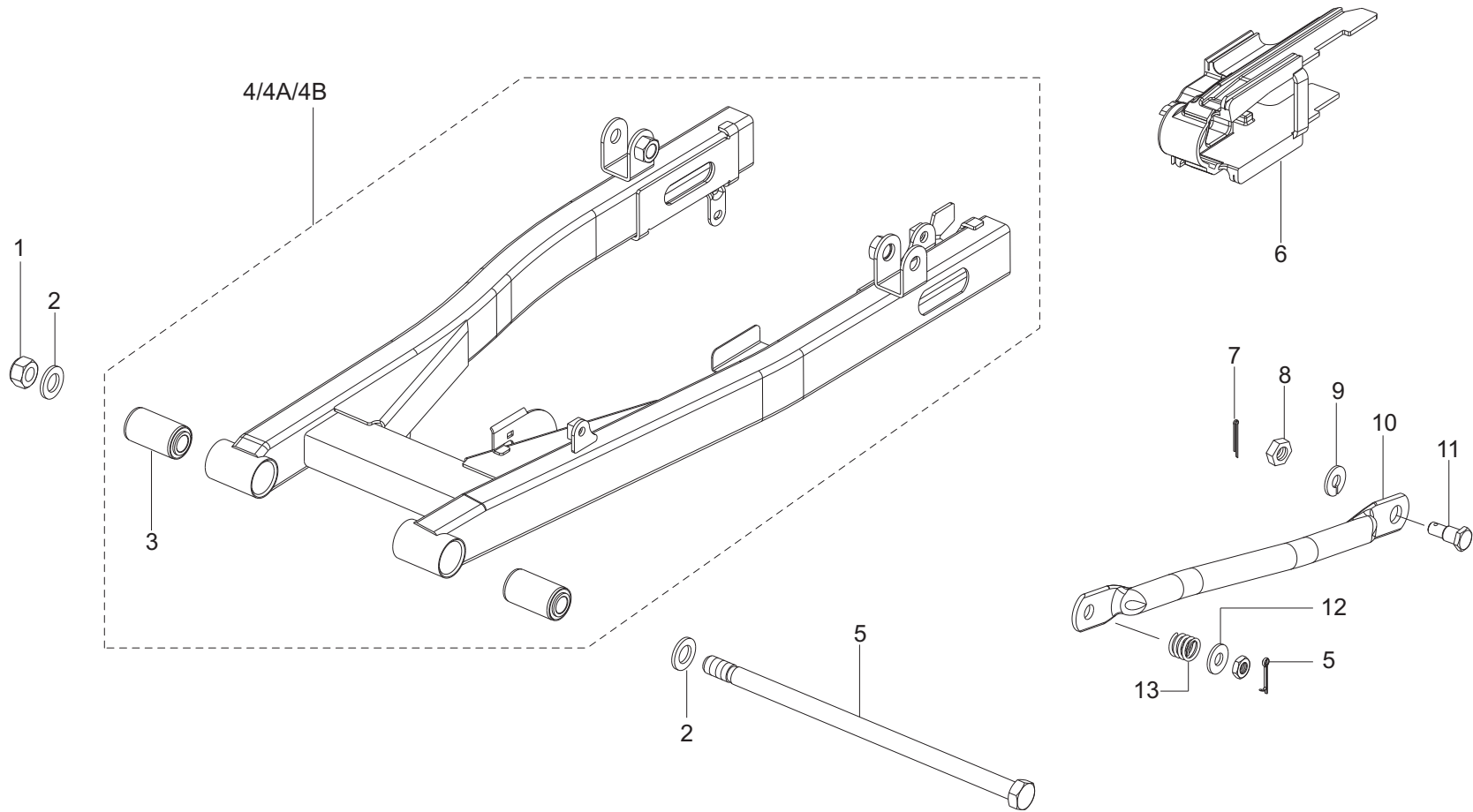
FIG. NO. 24A

REF. NO.	PART NO.	DESCRIPTION	QUANTITY				REMARKS
			RTR 160 SD	RTR 160 DD	RTR 160 SD REF.	RTR 180 DD	
20	1181070	DRUM REAR SPROCKET - 130 DIA		1		1	
21	1339120	BALL BEARING 25x52x15 RS1C3 6205		1		1	
22	N9112520	SPROCKET REAR 44T RTR 160		1			
22A	N9112570	SPROCKET REAR 46T RTR 180				1	
23	1181160	WASHER REAR SPROCKET		2		2	
24	0334548	HEX NUT M8		4		4	
25	M7110740	SPACER RR AXLE LH		1		1	
26	N9090940	CHAIN ADJUSTER COMP. LH		1		1	
27	M7200010	PUNCHED WASHER 21.6x32x3.2		1		1	
28	0334640	HEX NUT M20		1		1	
29	N9110700	REAR AXLE 15x290		1		1	
30	N9322710	CHAIN & SPROCKET KIT 13/44/124L "O RING"		1			#
30A	N9323050	CHAIN AND SPROCKET KIT-RTR180-14/46/130L "O RING"				1	#

NOTE : # - For more details refer Kit details on Page 135

FIG. NO. 25

SWING ARM ASSEMBLY



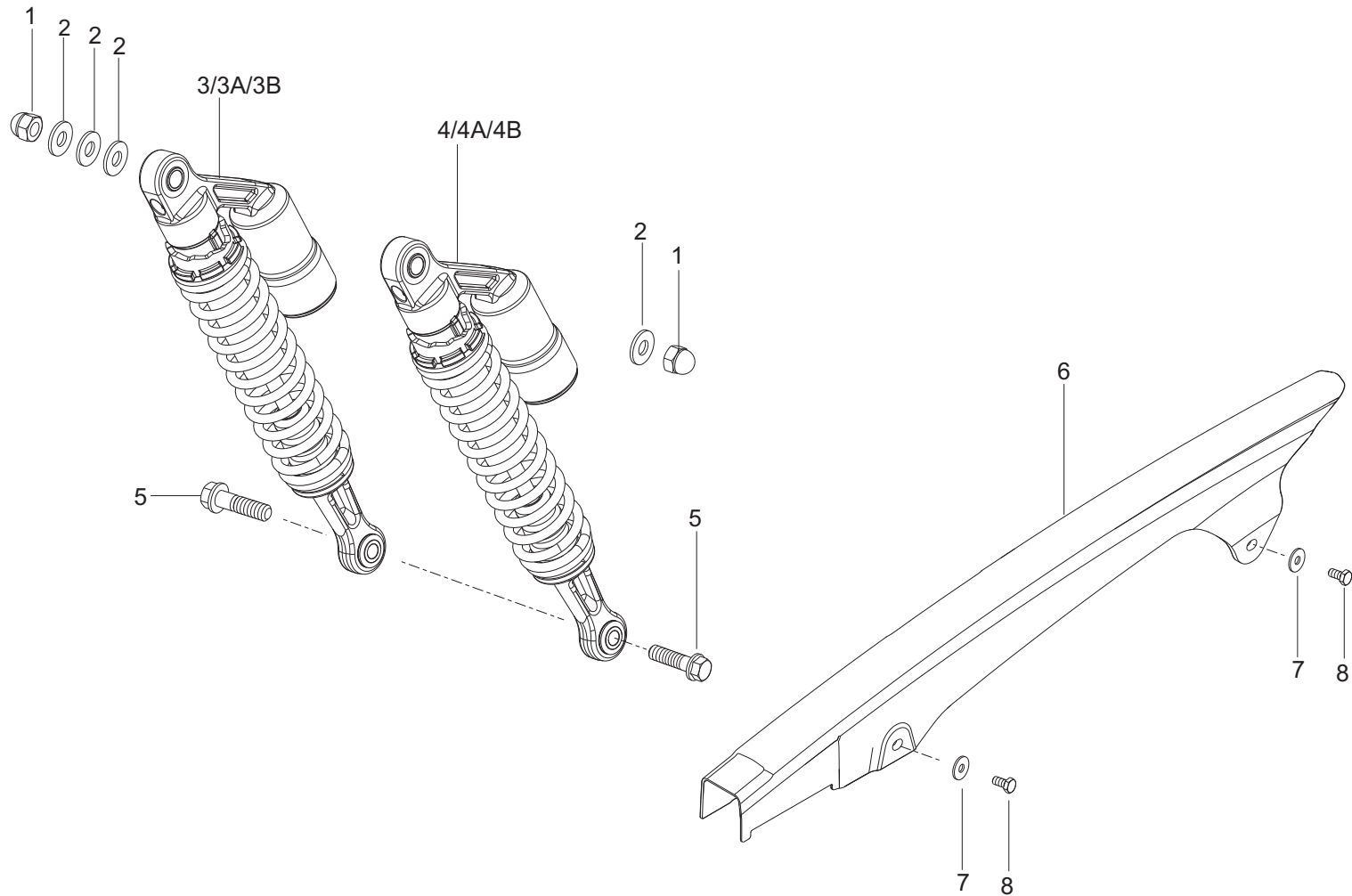
SWING ARM ASSEMBLY

FIG. NO. 25

REF. NO.	PART NO.	DESCRIPTION	QUANTITY				REMARKS
			RTR 160 SD	RTR 160 DD	RTR 160 SD REF.	RTR 180 DD	
1	0334158	NUT REAR SWINGING ARM PIVOT	1	1	1	1	
2	N5200480	PUNCHED WASHER 6.5x20x1.6	2	2	2	2	
3	N3090670	BUSH SWING ARM	2	2	2	2	
4	N9321960	SWING ARM WITH BUSH -RTR	1		1		
4A	N9091650	SWING ARM SUB ASSY REAR DISC		1			
4B	N9092230	SWINGARM WITH BUSH DISC RTR 180				1	
5	C8090230	AXLE SWING ARM 12*255	1	1	1	1	
6	N8090380	BUFFER CHAIN TOUCH	1	1	1	1	
7	0330048	SPLIT PIN 2x20	2		2		
8	0334218	HEX NUT M8x8	2		2		
9	0330318	WAVE SPRING WASHER	1		2		
10	M7090970	TORQUE LINK COMP REAR	1		1		
11	N3090700	BOLT TORQUE LINK REAR	1		1		
12	0336018	PUNCHED WASHER 8.5x20x2	1		1		
13	3207018	SPRING	1		1		

FIG. NO. 26

REAR SUSPENSION



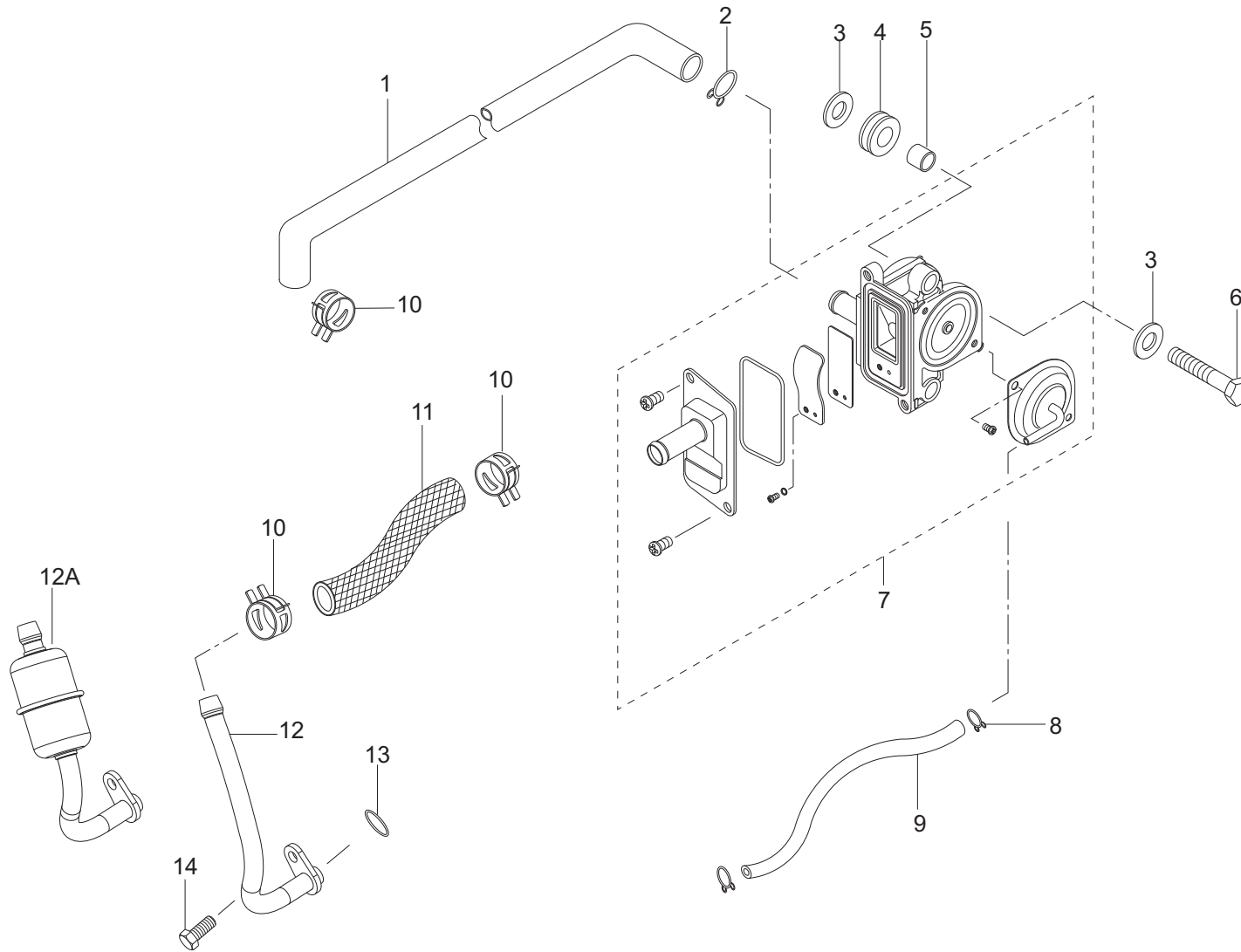
REAR SUSPENSION

FIG. NO. 26

REF. NO.	PART NO.	DESCRIPTION	QUANTITY				REMARKS
			RTR 160 SD	RTR 160 DD	RTR 160 SD REF.	RTR 180 DD	
1	0334047	DOMED CAP NUT M10x25	2	2	2	2	
2	0335628	PUNCHED WASHER 10.5x24x2.3	4	4	4	4	
3	N9091450	SHOCK ABSORBER RH (RED SPRING)	1	1			
3A	N9091760	SHOCK ABSORBER RH (BLACK SPRING)	1	1	1		
3B	N9092260	SHOCK ABSORBER RH GF CANISTER				1	
4	N9091750	SHOCK ABSORBER LH (RED SPRING)	1	1			
4A	N9091770	SHOCK ABSORBER LH (BLACK SPRING)	1	1	1		
4B	N9092250	SHOCK ABSORBER GF CANISTER				1	
5	N3200050	HEX FLANGE BOLT M10x1.5x36	2	2	2	2	
6	N9091700	CHAIN COVER	1	1	1	1	
7	420011700	PLAIN WASHER A6-4 ZNC	2	2	2	2	
8	420452700	HEX SCREW M6x12	2	2	2	2	

FIG. NO. 27

SECONDARY AIR INJECTION ASSEMBLY



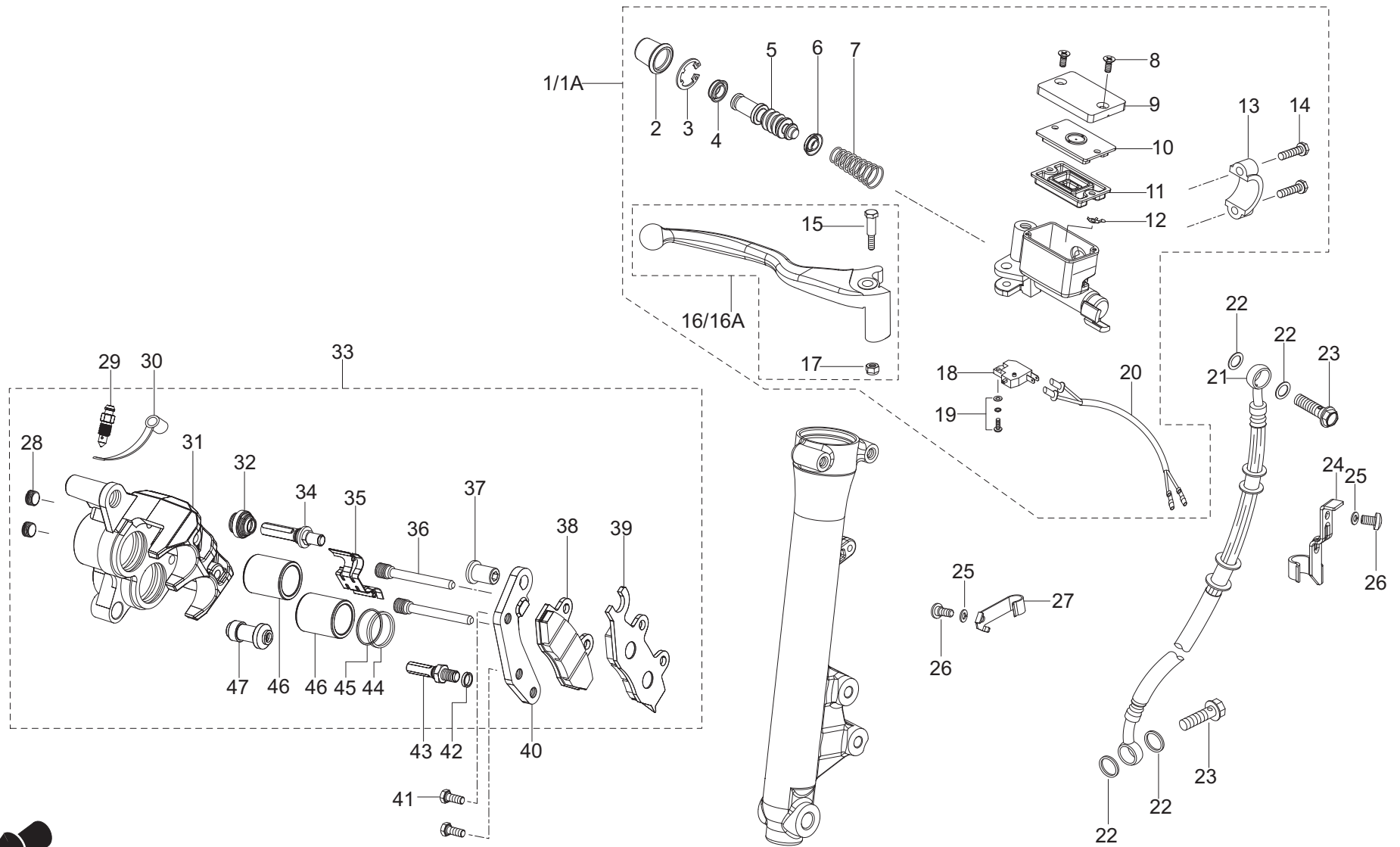
SECONDARY AIR INJECTION ASSEMBLY

FIG. NO. 27

REF. NO.	PART NO.	DESCRIPTION	QUANTITY				REMARKS
			RTR 160 SD	RTR 160 DD	RTR 160 SD REF.	RTR 180 DD	
1	N9041080	HOSE AIR INTLET	1	1	1	1	
2	N2041150	HOSE CLIP	2	2	2	2	
3	0335608	PUNCHED WASHER	4	4	4	4	
4	N2041670	CUSHION VALVE MOUNTING	2	2	2	2	
5	N3160220	SPACER	2	2	2	2	
6	N3200190	HEX BOLT M6x30	2	2	2	2	
7	N9041060	SECONDARY AIR INJECTION VALVE	1	1	1	1	
8	414147000	CLIP FUEL HOSE	2	2	2	2	
9	N9040300	HOSE AIR CUT VALVE	1	1	1	1	
10	N2041160	HOSE CLIP No. 1	3	3	3	3	
11	M7040060	HOSE AIR OUTLET	1	1	1	1	
12	M7040080	PIPE COMP. SECONDARY AIR INJECTION	1	1	1		
12A	N9041560	PIPE COMP. SECONDARY AIR INJECTION				1	
13	N8040340	O RING 1.9x10	1	1	1	1	
14	M1200640	HEX SCREW M6x16 6.8 ZNG	1	1	1	1	

FIG. NO. 28

DISC BRAKE ASSEMBLY FRONT



DISC BRAKE ASSEMBLY FRONT

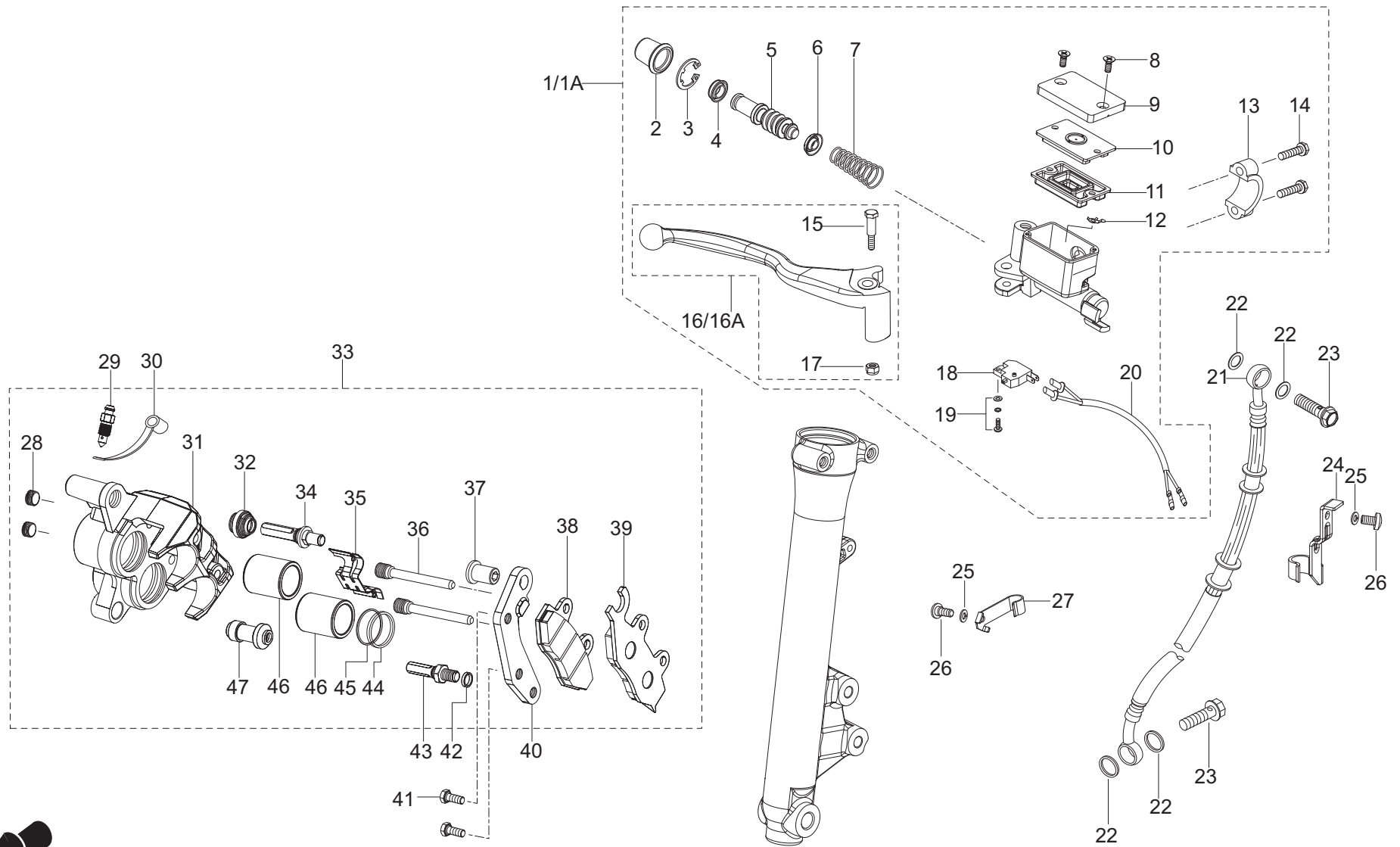
FIG. NO. 28

REF. NO.	PART NO.	DESCRIPTION	QUANTITY				REF. KIT NO.
			RTR 160 SD	RTR 160 DD	RTR 160 SD REF.	RTR 180 DD	
1	N9111140	ASSY. MASTER CYLINDER	1	1			
1	N91111403C	ASSY. MASTER CYLINDER		1	1	1	
2	————→	BOOTS ASSEMBLY	1	1	1	1	N9322840
3	————→	SNAP RING	1	1	1	1	"
4	————→	S CUP	1	1	1	1	"
5	————→	PISTON	1	1	1	1	"
6	————→	P CUP	1	1	1	1	"
7	————→	SPRING	1	1	1	1	"
8	————→	SCREW RESERVOIR CAP	2	2	2	2	N9321530
9	————→	RESERVOIR CAP	1	1	1	1	"
10	N9322010	DIAPRAGM MASTER CYLINDER	1	1	1	1	N9322840
11	————→	PLATE DIAPHRAGAM	1	1	1	1	N9321530
12	————→	PROTECTOR	1	1	1	1	N9322840
13	————→	HOLDER	1	1	1	1	N9321510
14	————→	HOLDER BOLT	2	2	2	2	"
15	————→	HAND LEVER BOLT	1	1	1	1	N9321500/N9322020
16	N9321500	KIT LEVER RH (BLACK)	1	1			
16A	N9322020	KIT LEVER RH - RTR		1	1	1	
17	————→	FLANGE NUT	1	1	1	1	N9321500/N9322020
18	N9321520	SWITCH ASSY	1	1	1	1	N9321520
19	————→	SCREW & WASHER	1	1	1	1	"
20	————→	SUB HARNESS	1	1	1	1	"
21	N9111920	HOSE COMP BRAKE	1	1	1	1	N9322030
22	N9111330	GASKET	4	4	4	4	"
23	N9111320	BANJO BOLT	2	2	2	2	"

NOTE : For kit details refer Page 135

FIG. NO. 28

DISC BRAKE ASSEMBLY FRONT



DISC BRAKE ASSEMBLY FRONT

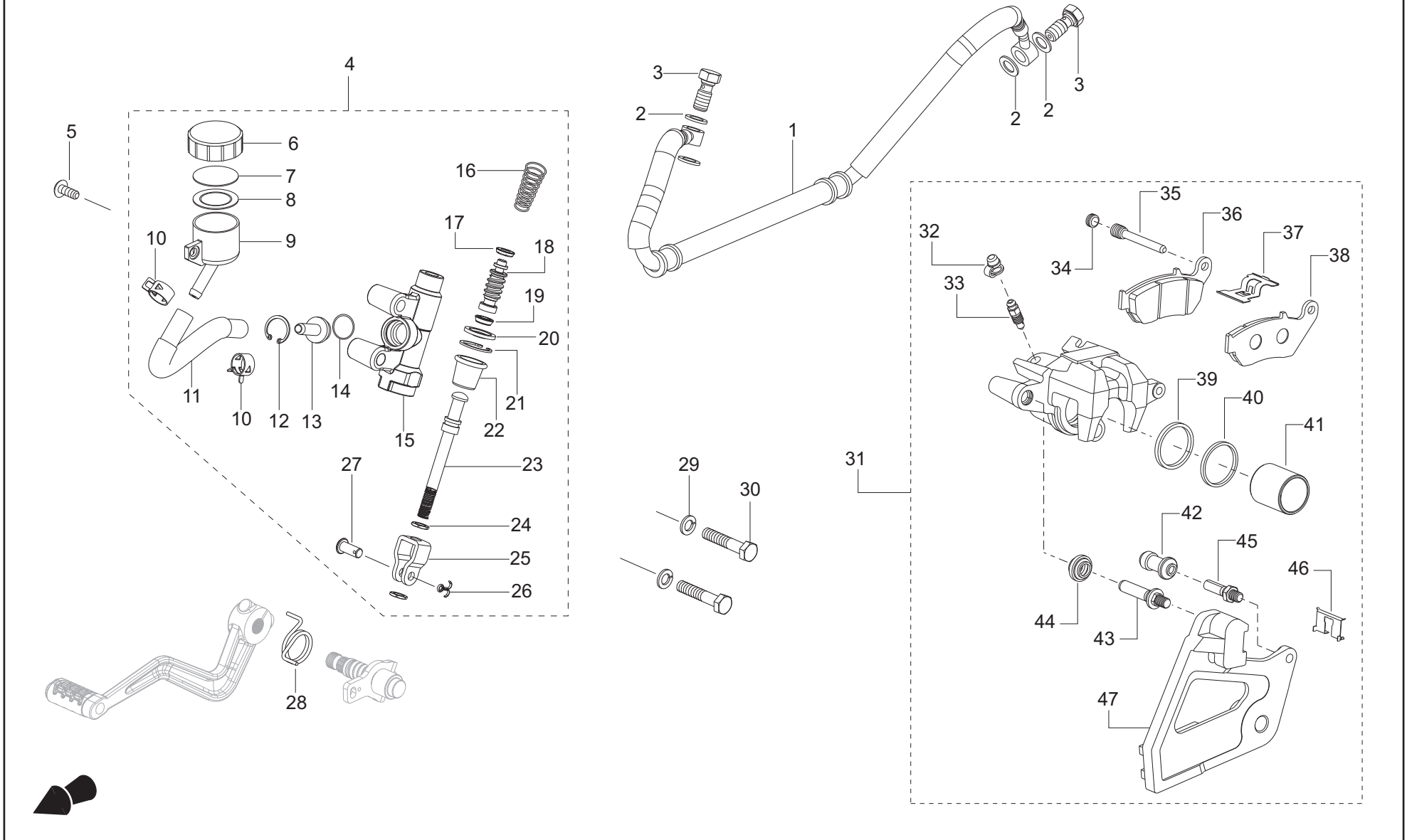
FIG. NO. 28

REF. NO.	PART NO.	DESCRIPTION	QUANTITY				REF. KIT NO.
			RTR 160 SD	RTR 160 DD	RTR 160 SD REF.	RTR 180 DD	
24	N9111270	CLAMP HOSE UNDER BRACKET	1	1	1	1	
25	8200140	WAVE SPRING WASHER M6	2	2	2	2	
26	3257448	SCREW M6x10	1	1	1	1	
27	N9111220	CLAMP BRAKE HOSE	1	1	1	1	
28	—————>	PLUG PIN	2	2	2	2	N9321550
29	—————>	BLEEDER	1	1	1	1	N9321600
30	—————>	CAP BLEEDER	1	1	1	1	"
31	—————>	BODY CALIPER COMP	1	1	1	1	
32	—————>	BOOT B	1	1	1	1	N9321550, N9321560 & N9321580
33	N9111930	CALIPER ASSY.	1	1	1	1	
34	—————>	PIN BOLT A	1	1	1	1	N9321570 & N9321860
35	—————>	SPRING PAD	1	1	1	1	N9321550
36	—————>	PIN HANGER	1	1	1	1	"
37	—————>	INNER HEX NUT	1	1	1	1	N9321570 & N9321860
38	—————>	PAD COMP INNER	1	1	1	1	N9111300
39	—————>	PAD COMP OUTER	1	1	1	1	"
40	—————>	BRACKET COMP FRONT	1	1	1	1	N9321860
41	U2200010	HEX FLANGE BOLT M8x27	2	2	2	2	
42	—————>	SPRING WASHER	1	1	1	1	N9321570 & N9321860
43	—————>	PIN BOLT B	1	1	1	1	N9321570 & N9321860
44	—————>	DUST SEAL 2	2	2	2	2	N9321550 & N9321560
45	—————>	DUST SEAL 1	2	2	2	2	N9321550 & N9321560
46	—————>	PISTON CALIPER	2	2	2	2	N9321550
47	—————>	BUSH BOOT PIN	1	1	1	1	N9321550 & N9321560

NOTE : For kit details refer Page 135

FIG. NO. 29

DISC BRAKE ASSEMBLY REAR



DISC BRAKE ASSEMBLY REAR

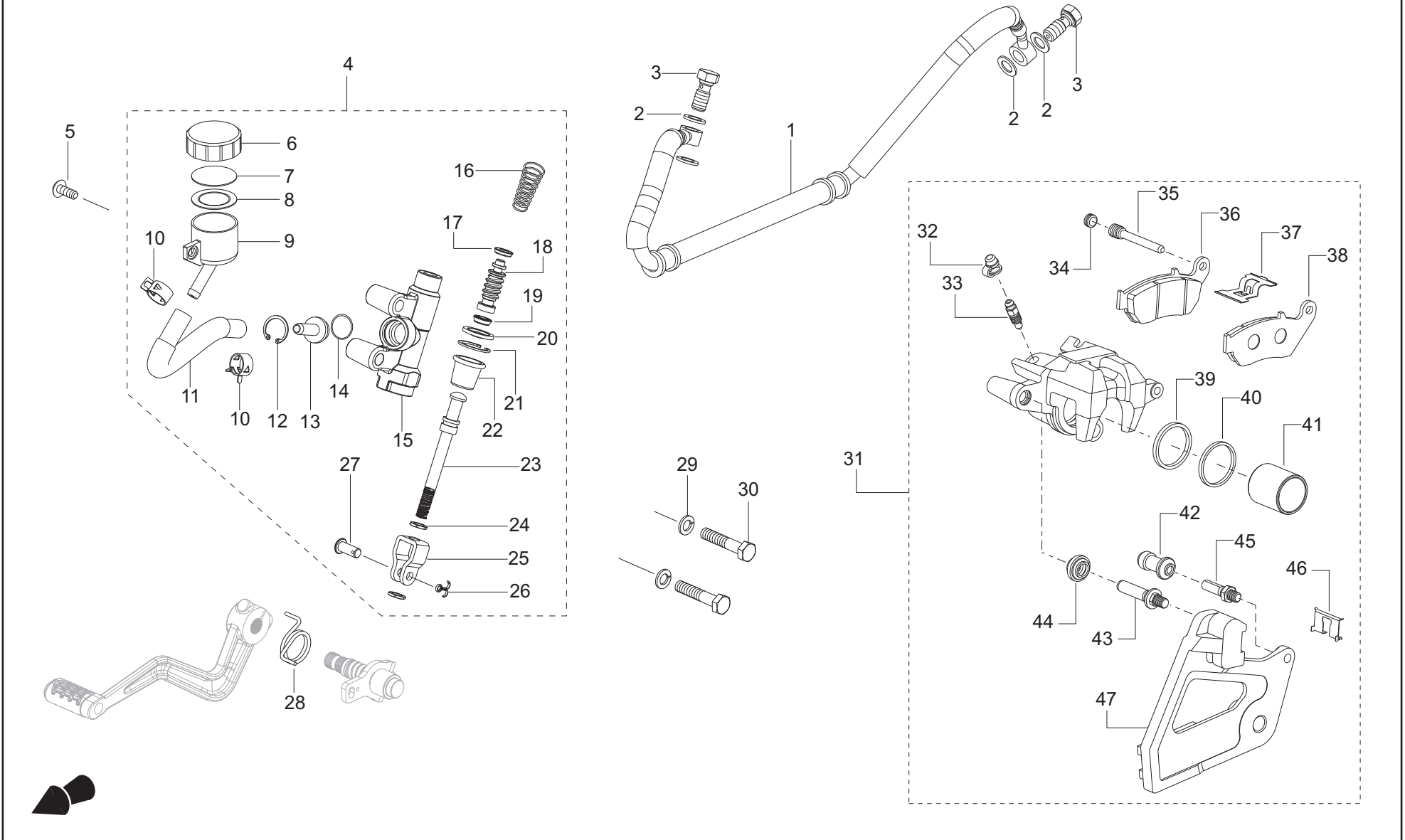
FIG. NO. 29

REF. NO.	PART NO.	DESCRIPTION	QUANTITY				REF. KIT NO.
			RTR 160 SD	RTR 160 DD	RTR 160 SD REF.	RTR 180 DD	
1	N9111430	BRAKE HOSE & OIL RESERVOIR		1		1	
2	N9111330	GASKET		4		4	
3	M7110330	BANJO BOLT		2		2	
4	N9112070	MASTER CYLINDER ASSY RR DISC BRAKE		1		1	
5	0332275	CRR PAN HEAD SCREW		1		1	
6	—————>	CAP OIL RESERVOIR		1		1	N9322270
7	—————>	PLATE DIAPRAGAM		1		1	"
8	—————>	DIAPRAGAM		1		1	"
9	—————>	OIL RESERVOIR		1		1	"
10	—————>	BUCKLE HOSE		2		2	N9322260
11	—————>	HOSE OIL		1		1	"
12	—————>	CIRCLIP		1		1	"
13	—————>	INSERT		1		1	"
14	—————>	O RING		1		1	"
15	—————>	MASTER CYLINDER BODY REAR		1		1	"
16	—————>	SPRING		1		1	"
17	—————>	CUP PRIMARY		1		1	"
18	—————>	PISTON MASTER CYLINDER REAR		1		1	"
19	—————>	CUP SECONDARY		1		1	"
20	—————>	STOP PLATE		1		1	"
21	—————>	CIRCLIP		1		1	"
22	—————>	BOOT COMP		1		1	"
23	—————>	PUSH ROD		1		1	"
24	—————>	NUT ROD		2		2	"
25	—————>	JOINT ROD		1		1	"

NOTE : For kit details refer Page 135

FIG. NO. 29

DISC BRAKE ASSEMBLY REAR



DISC BRAKE ASSEMBLY REAR

FIG. NO. 29

REF. NO.	PART NO.	DESCRIPTION	QUANTITY				REF. KIT NO.
			RTR 160 SD	RTR 160 DD	RTR 160 SD REF.	RTR 180 DD	
26	→	COTTER PIN		1		1	"
27	→	PIN		1		1	"
28	N9111870	SPRING BRAKE RETURN		1		1	
29	0330318	WAVE SPRING WASHER M8 ZNB		2		2	
30	420955700	HEX SCREW M8x40		2		2	
31	N9112060	CALIPER ASSY REAR		1		1	
32	→	CAP BLEEDER		1		1	N9322250
33	→	BLEEDER		1		1	"
34	N9322190	PLUG PIN		1		1	N9322190
35	→	PIN HANGER		1		1	"
36	→	PAD COMP INNER		1		1	N9322240
37	→	SPRING PAD		1		1	"
38	→	PAD COMP OUTER		1		1	N9322240
39	→	DUST SEAL 1		1		1	"
40	→	DUST SEAL 2		1		1	"
41	→	PISTON CALIPER		1		1	N9322190
42	→	BUSH BOOT PIN		1		1	N9322190
43	→	PIN BOLT B		1		1	N9322220
44	→	BOOT B		1		1	N9322190
45	→	PIN BOLT A		2		1	N9322220
46	→	PLATE BRACKET		1		1	"
47	→	BRKT COMP REAR CALIPER		1		1	N9322220

NOTE : For kit details refer Page 135

FIG. NO. 30

TOOL KIT

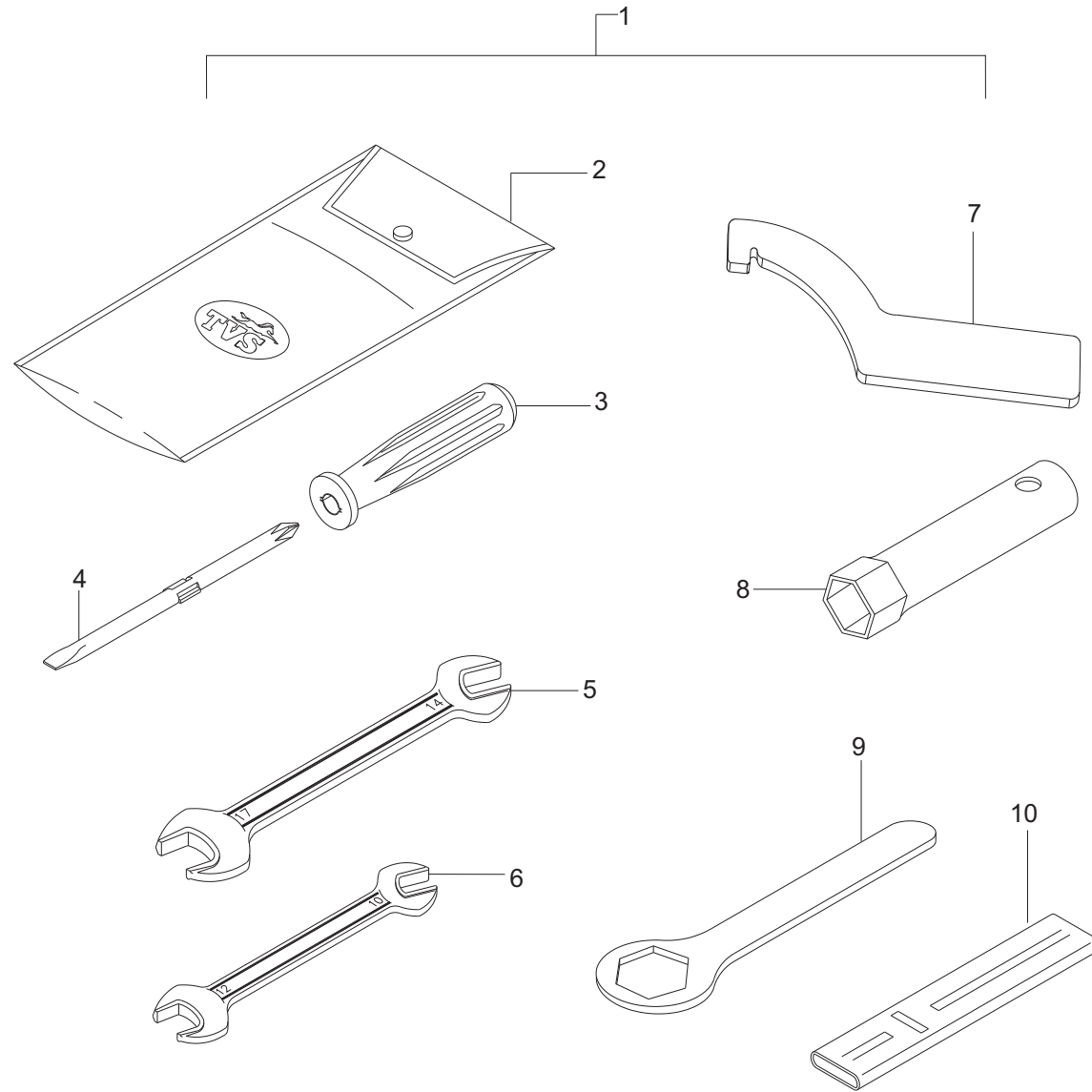
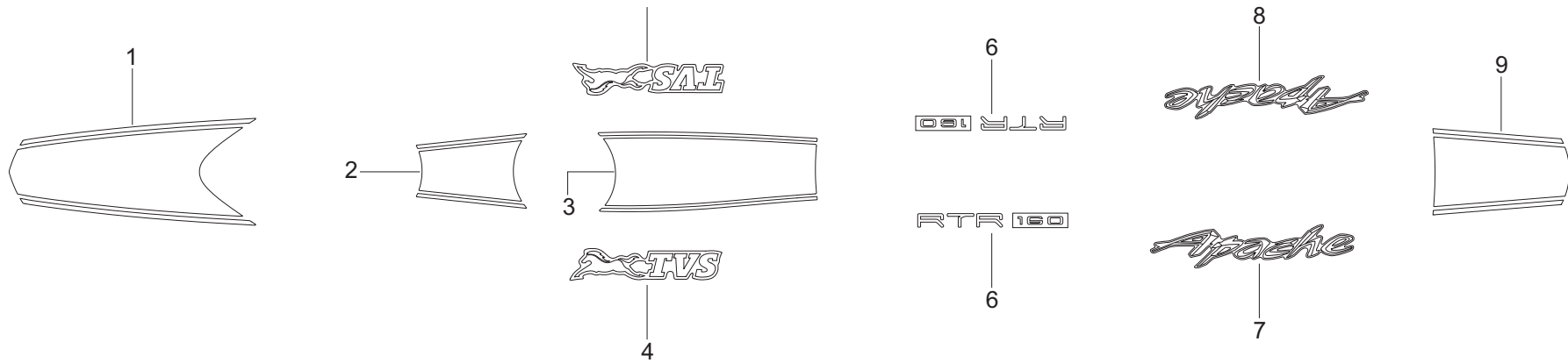


FIG. NO. 31

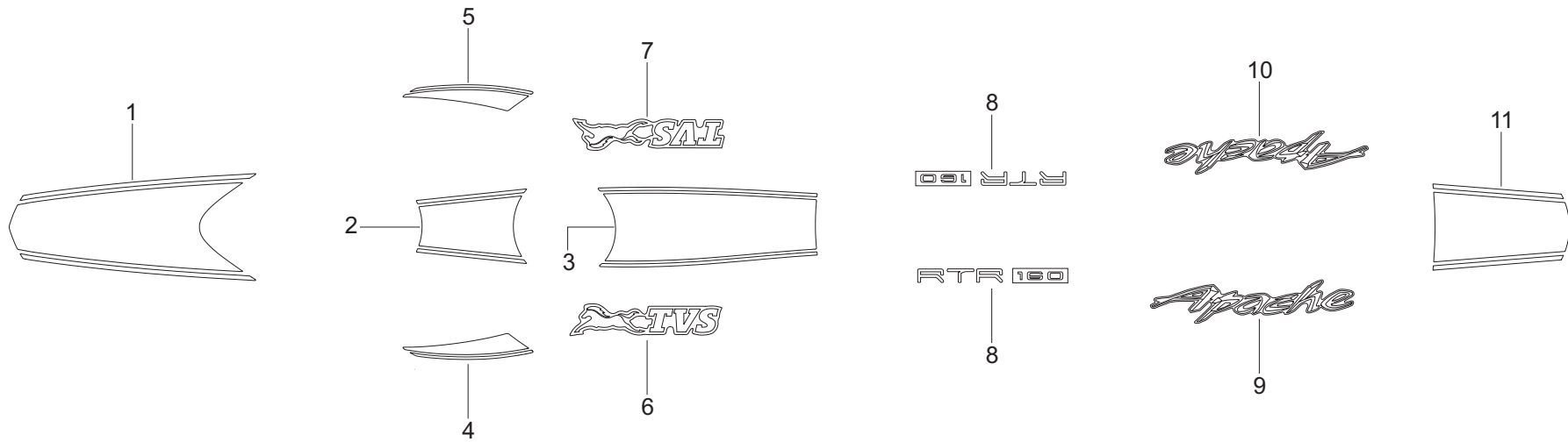
TAPE SET RTR160 - SD



REF.NO.	DESCRIPTION	FLAME RED	STALLION BLACK	TITTANIUM GREY	LIGHTENING YELLOW	REMARKS
1	TAPESSET FRONT FENDER	N9213930	N9213840	N9214140	N9213930	
2	STRIPING FUEL TANK FRONT	N9322070	N9322090	N9214060	N9322070	
3	STRIPING FUEL TANK REAR	N9322080	N9322100	N9214070	N9322080	
4	LOGO TVS FUEL TANK L	N9214330	N9214330	N9214330	N9214330	
5	LOGO TVS FUEL TANK R	N9214340	N9214340	N9214340	N9214340	
6	EMBLEM COVER FRAME	N9215680	N9215680	N9215680	N9215680	
7	EMBLEM COVER SEAT TAIL L	N9214370	N9214370	N9214370	N9214370	
8	EMBLEM COVER SEAT TAIL R	N9214380	N9214380	N9214380	N9214380	
9	EMBLEM COVER SEAT TAIL CENTER	N9213960	N9213870	N9214150	N9213960	
10	TAPE SET (FULL SET)	N9214410	N9214390	N9214420	N9214440	

FIG. NO. 31A

TAPE SET RTR 160 - DD



REF.NO.	DESCRIPTION	CRIMSON RED	STALLION BLACK	TITANIUM GREY	ORANGE	REMARKS
1	TAPASET FRONT FENDER	N9213930	N9213840	N9214140	N9213930	
2	STRIPING FUEL TANK FRONT	N9322070	N9322090	N9214060	N9322070	
3	STRIPING FUEL TANK REAR	N9322080	N9322100	N9214070	N9322080	
4	STRIPPING COVER FUEL TANK L	N9214620	N9214650	N9214690	N9214620	
5	STRIPPING COVER FUEL TANK R	N9214630	N9214660	N9214700	N9214630	
6	LOGO TVS FUEL TANK L	N9214330	N9214330	N9214330	N9214330	
7	LOGO TVS FUEL TANK R	N9214340	N9214340	N9214340	N9214340	
8	EMBLEM COVER FRAME	N9215680	N9215680	N9215680	N9215680	
9	EMBLEM COVER SEAT TAIL L	N9214370	N9214370	N9214370	N9214370	
10	EMBLEM COVER SEAT TAIL R	N9214380	N9214380	N9214380	N9214380	
11	EMBLEM COVER SEAT TAIL CENTER	N9213960	N9213870	N9214150	N9213960	
12	TAPE SET (FULL SET)	N9215980	N9215990	N9216000	N9215980	

PAINTED PARTS (SINGLE DISC)



Apache Red

SL.No.	PART No.	DESCRIPTION
1	N92201602HA	FENDER FRONT
2	N92202392H	HOUSING HEADLAMP FRONT
3	N91405002HB	TANK COMP FUEL
4	N92202709DA	COVER FRAME L
5	N92202609DA	COVER FRAME R
6	N92201302HB	COVER SEAT TAIL L
7	N92201402HB	COVER SEAT TAIL R
8	N92201502H	COVER TAIL CENTER
9	N92213792H	ENGINE GUARD L
10	N92213992H	ENGINE GUARD R
11	N92213892H	ENGINE GUARD CENTER



Stallion Black

SL.No.	PART No.	DESCRIPTION
1	N92201600DA	FENDER FRONT
2	N92202390D	HOUSING HEADLAMP FRONT
3	N91405000DB	TANK COMP FUEL
4	N92202709DA	COVER FRAME L
5	N92202609DA	COVER FRAME R
6	N92201300DB	COVER SEAT TAIL L
7	N92201400DB	COVER SEAT TAIL R
8	N92201500D	COVER TAIL CENTER
9	N92213790D	ENGINE GUARD L
10	N92213990D	ENGINE GUARD R
11	N92213890D	ENGINE GUARD CENTER

PAINTED PARTS (SINGLE DISC)



Titanium Grey

SL.No.	PART No.	DESCRIPTION
1	N922016008D	FENDER FRONT
2	N92202398D	HOUSING HEADLAMP FRONT
3	N91405008DA	TANK COMP FUEL
4	N92202709DA	COVER FRAME L
5	N92202609DA	COVER FRAME R
6	N92201308DA	COVER SEAT TAIL L
7	N92201408DA	COVER SEAT TAIL R
8	N92201508D	COVER TAIL CENTER
9	N92213798D	ENGINE GUARD L
10	N92213998D	ENGINE GUARD R
11	N92213898D	ENGINE GUARD CENTER



Lightening Yellow

SL.No.	PART No.	DESCRIPTION
1	N92201606R	FENDER FRONT
2	N92202396R	HOUSING HEADLAMP FRONT
3	N91405006RA	TANK COMP FUEL
4	N92202709DA	COVER FRAME L
5	N92202609DA	COVER FRAME R
6	N92201306RA	COVER SEAT TAIL L
7	N92201406RA	COVER SEAT TAIL R
8	N92201506R	COVER TAIL CENTER
9	N92213796R	ENGINE GUARD L
10	N92213996R	ENGINE GUARD R
11	N92213896R	ENGINE GUARD CENTER

PAINTED PARTS (DOUBLE DISC)

Apache Red

SL.No.	PART No.	DESCRIPTION
1	N92201602HA	FENDER FRONT
2	N92202392H	HOUSING HEADLAMP FRONT
3	N92218302H	COVER FUEL TANK COMP L
4	N92218402H	COVER FUEL TANK COMP R
5	N91410602HA	TANK COMP FUEL
6	N92202709DA	COVER FRAME L
7	N92202609DA	COVER FRAME R
8	N92201302HB	COVER SEAT TAIL L
9	N92201402HB	COVER SEAT TAIL R
10	N92201502H	COVER TAIL CENTER
11	N92213792H	ENGINE GUARD L
12	N92213992H	ENGINE GUARD R
13	N92213892H	ENGINE GUARD CENTER

Stallion Black

SL.No.	PART No.	DESCRIPTION
1	N92201600DA	FENDER FRONT
2	N92202390D	HOUSING HEADLAMP FRONT
3	N92218300D	COVER FUEL TANK COMP L
4	N92218400D	COVER FUEL TANK COMP R
5	N91410600DA	TANK COMP FUEL
6	N92202709DA	COVER FRAME L
7	N92202609DA	COVER FRAME R
8	N92201300DB	COVER SEAT TAIL L
9	N92201400DB	COVER SEAT TAIL R
10	N92201500D	COVER TAIL CENTER
11	N92213790D	ENGINE GUARD L
12	N92213990D	ENGINE GUARD R
13	N92213890D	ENGINE GUARD CENTER

PAINTED PARTS (DOUBLE DISC)

Titanium Grey

SL.No.	PART No.	DESCRIPTION
1	N92201608D	FENDER FRONT
2	N92202398D	HOUSING HEADLAMP FRONT
3	N92218308D	COVER FUEL TANK COMP L
4	N92218408D	COVER FUEL TANK COMP R
5	N91410608DA	TANK COMP FUEL
6	N92202709DA	COVER FRAME L
7	N92202609DA	COVER FRAME R
8	N92201308DA	COVER SEAT TAIL L
9	N92201408DA	COVER SEAT TAIL R
10	N92201508D	COVER TAIL CENTER
11	N92213798D	ENGINE GUARD L
12	N92213998D	ENGINE GUARD R
13	N92213898D	ENGINE GUARD CENTER

Orange

SL.No.	PART No.	DESCRIPTION
1	N92201609G	FENDER FRONT
2	N92202399G	HOUSING HEADLAMP FRONT
3	N92218309GA	COVER FUEL TANK COMP L
4	N92218409GA	COVER FUEL TANK COMP R
5	N91410609GA	TANK COMP FUEL
6	N92202709DA	COVER FRAME L
7	N92202609DA	COVER FRAME R
8	N92201309GC	COVER SEAT TAIL L
9	N92201409GC	COVER SEAT TAIL R
10	N92201509GB	COVER TAIL CENTER
11	N92213799G	ENGINE GUARD L
12	N92213999G	ENGINE GUARD R
13	N92213899G	ENGINE GUARD CENTER

PAINTED PARTS (NEW RTR 160 SINDLE DISC)

BLACK GREEN

SL.No.	PART No.	DESCRIPTION
1	N92201600DL	FENDER FRONT
2	N9222839CL	HOUSING HEADLAMP FRONT LH
3	N9222809CL	HOUSING HEADLAMP FRONT RH
4	N9222880CL	COVER FUEL TANK COMP L
5	N9222900CL	COVER FUEL TANK COMP R
6	N91411900DG	TANK COMP FUEL
7	N9222860	COVER FRAME L
8	N9222870	COVER FRAME R
9	N92222700DG	COVER SEAT TAIL L
10	N92222800DG	COVER SEAT TAIL R
11	N92222900DG	COVER TAIL CENTER
12	N9222750CL	ENGINE GUARD L
13	N9222760CL	ENGINE GUARD R
14	N9225470	TAPE SET

BLACK RED

SL.No.	PART No.	DESCRIPTION
1	N92201600DJ	FENDER FRONT
2	N92228393G	HOUSING HEADLAMP FRONT LH
3	N92228093G	HOUSING HEADLAMP FRONT RH
4	N92228803G	COVER FUEL TANK COMP L
5	N92229003G	COVER FUEL TANK COMP R
6	N91411900DE	TANK COMP FUEL
7	N9222860	COVER FRAME L
8	N9222870	COVER FRAME R
9	N92222700DE	COVER SEAT TAIL L
10	N92222800DE	COVER SEAT TAIL R
11	N92222900DE	COVER TAIL CENTER
12	N92227503G	ENGINE GUARD L
13	N92227603G	ENGINE GUARD R
14	N9225170	TAPE SET

PAINTED PARTS (NEW RTR 180 DOUBLE DISC)

BLACK

SL.No.	PART No.	DESCRIPTION
1	N92201600DM	FENDER FRONT
2	N92228390D	HOUSING HEADLAMP FRONT LH
3	N92228090D	HOUSING HEADLAMP FRONT RH
4	N92228800DA	COVER FUEL TANK COMP L
5	N92229000DA	COVER FUEL TANK COMP R
6	N91411900D	TANK COMP FUEL
7	N9222860	COVER FRAME L
8	N9222870	COVER FRAME R
9	N92222700D	COVER SEAT TAIL L
10	N92222800D	COVER SEAT TAIL R
11	N92222900D	COVER TAIL CENTER
12	N92227590D	ENGINE GUARD L
13	N92227600D	ENGINE GUARD R
14	N9223980	TAPE SET

WHITE

SL.No.	PART No.	DESCRIPTION
1	N92201602FD	FENDER FRONT
2	N92228392F	HOUSING HEADLAMP FRONT LH
3	N92228092F	HOUSING HEADLAMP FRONT RH
4	N92228802FB	COVER FUEL TANK COMP L
5	N92229002FB	COVER FUEL TANK COMP R
6	N91411902FA	TANK COMP FUEL
7	N9222860	COVER FRAME L
8	N9222870	COVER FRAME R
9	N92222702FA	COVER SEAT TAIL L
10	N92222802FA	COVER SEAT TAIL R
11	N92222902FA	COVER TAIL CENTER
12	N92227592F	ENGINE GUARD L
13	N92227602FA	ENGINE GUARD R
14	N9xxxxx	TAPE SET

KIT DETAILS

S.NO.	KIT NO.	DESCRIPTION	MODEL	KIT CONTENTS			
				S.NO.	PART NO.	DESCRIPTION	QTY
1	N9321550	KIT CALIPER (MAJOR)	RTR 160 & 180	1		BUSH BOOT, PIN	1
				2		BOOT,B	1
				3		PAD SPRING	1
				4		DUST SEAL	2
				5		PLUG	1
				6		PIN HANGER	2
				7		PLUG,PIN	2
				8		PISTON, CALIPER	2
				9		SEAL , PISTON	2
2	N9321560	KIT CALIPER (MINOR)	RTR 160 & 180	1		BOOT B	1
				2		CAP BLEEDER	1
				3		SEAL - PISTON	2
				4		BUSH BOOT PIN	1
				5		DUST SEAL	2
3	N9321570	KIT CARRIER ASSY(MAJOR)	RTR 160 & 180	1		BRACKET COMP. FRONT APACHE	1
				2		PIN BOLT, B	1
				3		PIN BOLT, A	1
				4		INNER HEXAGON NUT	1
				5		SPRING WASHER	1
4	N9321860	KIT CARRIER ASSY(MAJOR)	RTR 160 & 180	1		BRACKET COMP. FRONT RTR	1
				2		PIN BOLT, B	1
				3		PIN BOLT, A	1
				4		INNER HEXAGON NUT	1
				5		SPRING WASHER	1

KIT DETAILS

S.NO.	KIT NO.	DESCRIPTION	MODEL	KIT CONTENTS			
				S.NO.	PART NO.	DESCRIPTION	QTY
5	N9321580	KIT CARRIER ASSY (MINOR)	RTR 160 & 180	1		BOOT,B	1
				2		BUSH BOOT PIN	1
6	N9111300	KIT PAD ASSY	RTR 160 & 180	1		PAD COMP OUTER	1
				2		PAD COMP INNER	1
7	N9321600	KIT BLEEDER	RTR 160 & 180	1		BLEEDER	1
				2		CAP BLEEDER	1
8	N9321490	KIT MASTER CYLINDER(MAJOR)	RTR 160 & 180	1		DIAPHRAGM	1
				2		O RING	1
				3		GAUGE COMP.LEVEL	1
				4		SPRING	1
				5		CIRCLIP	1
				6		BOOT COMP	1
				7		PISTON.FRONT	1
				8		CUP.SECONDARY	1
				9		CUP.PRIMARY	1
				10		PROTECTOR	1
9	N9321500	KIT LEVER	RTR 160 & 180	1		HAND LEVER APACHE	1
				2		FLANGE NUT .6MM	1
				3		BOLT BRAKE LEVER	1
10	N9322020	KIT LEVER	RTR 160 & 180	1		LEVER RH RTR	1
				2		HAND LEVER BOLT	1
				3		FLANGE NUT	1
11	N9321510	KIT HOLDER	RTR 160 & 180	1		HOLDER	1
				2		HOLDER BOLT	2

KIT DETAILS

S.NO.	KIT NO.	DESCRIPTION	MODEL	KIT CONTENTS			
				S.NO.	PART NO.	DESCRIPTION	QTY
12	N9321520	KIT SWITCH ASSY	RTR 160 & 180	1		SWITCH ASSY	1
				2		SUB HARNESS	1
				3		SCREW & WASHER	1
13	N9321530	KIT RESERVOIR	RTR 160 & 180	1		PLATE.DIAPHRAGM	1
				2		RESERVOIR CAP	1
				3		SCREW.PLATE.M4x12	2
14	N9322030	KIT HOSE ASSY	RTR 160 & 180	1		HOSE ASSEMBLY RTR	1
				2		BANJO BOLT	2
				3		GASKET	4
15	M7322020	RING SET STD	RTR 160	1	M7020340	RING PISTON 1st STD	1
				2	M7020350	RING PISTON 2nd STD	1
				3	M7020360	RING PISTON OIL SET STD	1
16	M7321960	RING SET I O/S	RTR 160	1	M7321820	RING PISTON 1st I O/S	1
				2	M7321840	RING PISTON 2nd I O/S	1
				3	M7321860	RING PISTON OIL SET I O/S	1
17	M7321970	RING SET II O/S	RTR 160	1	M7321830	RING PISTON 1st II O/S	1
				2	M7321850	RING PISTON 2nd II O/S	1
				3	M7321870	RING PISTON OIL SET II O/S	1
18	M7321630	PISTON KIT STD	RTR 160	1	M7020330	PISTON	1
				2	M7322020	RING SET PISTON STD	1
				3	M1010130	PISTON PIN	1
				4	M1010440	CIRCLIP 17x1.0 PISTON PIN	2
19	M7321640	PISTON KIT 1 O/S	RTR 160	1	M7321800	PISTON I O/S	1
				2	M7321960	RING SET PISTON I O/S	1
				3	M1010130	PISTON PIN	1
				4	M1010440	CIRCLIP 17x1.0 PISTON PIN	2

KIT DETAILS

S.NO.	KIT NO.	DESCRIPTION	MODEL	KIT CONTENTS			
				S.NO.	PART NO.	DESCRIPTION	QTY
20	M7321650	PISTON KIT II O/S	RTR 160	1	M7321810	PISTON I O/S	1
				2	M7321970	RING SET PISTON II O/S	1
				3	M1010130	PISTON PIN	1
				4	M1010440	CIRCLIP 17x1.0 PISTON PIN	2
21	M7322000	CYLINDER BLOCK & PISTON KIT	RTR 160	1	M70112607D	CYLINDER COMPLETE	1
				2	M7020330	PISTON DIA	1
				3	M7322020	RING SET PISTON STD	1
				4	M1010130	PIN PISTON	1
				5	M1010440	CIRCLIP 17x1.0 PISTON PIN	2
				6	M7010210	GASKET CYLINDER HEAD	1
				7	M1010660	GASKET CYLINDER	1
22	M7322010	ENGINE VALVE KIT	RTR 160 &180	1	S1010320	COTTER VALVE	4
				2	M1010590	RETAINER VALVE SPRING	2
				3	M1010570	SPRING VALVE INNER	2
				4	M1010580	SPRING VALVE OUTER	2
				5	M1010610	SEAT VALVE SPRING	2
				6	M1010620	SEAL VALVE STEM OIL	2
				7	M7010270	VALVE INTAKE	1
				8	M7010280	VALVE EXHAUST	1
23	M7321580	OIL SEAL KIT	RTR 160 &180	1	N2081720	OIL SEAL	1
				2	M1200340	OIL SEAL 10 X 17 X 5	1
				3	N2200550	OIL SEAL 12 X 2 X 17	1
				4	M7200250	OIL SEAL 27 X 40 X 6	1

KIT DETAILS

S.NO.	KIT NO.	DESCRIPTION	MODEL	KIT CONTENTS			
				S.NO.	PART NO.	DESCRIPTION	QTY
24	M1320340	O RING KIT ENGINE	RTR 160 &180	1	M1080600	O' RING CAP OIL FILTER	1
				2	M1080400	O' RING GAUGE OIL LEVEL	1
				3	N2081690	O' RING PLUG C.S.HOLE	1
				4	M1080610	O' RING OIL STRAINER	1
				5	M1080590	O' RING OIL FILTER	1
25	M7321460	MAJOR KIT - CARBURETTOR	RTR 160	1	M7321310	JET HOLDER	1
				2	M1040810	O RING JET HOLDER	1
				3	M7321290	JET NEEDLE	1
				4	M1040250	E RING, JET NEEDLE	1
				5	M1040270	NEEDLE VALVE ASSY	1
				6	M1040390	GUIDE HOLDER ASSY.	1
				7	M1040380	SPRING STARTER	1
				8	M1040370	PLUNGER STARTER	1
				9	M1040870	O RING STARTER	1
26	N9322710	CHAIN & SPROCKET KIT 13/44/124L	RTR 160	1	N9112610	CHAIN ASSEMBLY 124 LINKS	1
				2	M7080920	SPROCKET FRONT 13T	1
				3	N9111560	SPROCKET REAR 44T	1
				4	1181160	WASHER REAR SPROCKET	2
27	N8320070	STEERING CONE KIT	RTR 160 &180	1	420404000	3/16 BALLS	22
				2	S1101150	RACE STEERING OUTER	1
				3	S1125290	RACE STEERING INNER	1
				4	K3200450	STEERING BALL LOWER (dia 6.35)	19
				5	N8120910	CONE BOTTOM	1
				6	K3100590	CUP BOTTOM	1

KIT DETAILS

S.NO.	KIT NO.	DESCRIPTION	MODEL	KIT CONTENTS			
				S.NO.	PART NO.	DESCRIPTION	QTY
28	N9321940	KIT PROP STAND	RTR 160 &180	1	N9124640	PROP STAND	1
				2	N9200210	BOLT PROP STAND	1
				3	K200690	HEX NUT	1
				4	N5121610	SPRING CENTER STAND	1
29	M7322050	CRANK CASE ASSY RH	RTR 160	1	M70300907D	CRANKCASE COMP RH	1
				2	M1080360	UNION BREATHER	1
30	M7321890	SET PLATE CLUTCH DRIVE	RTR 160 &180	1	N3070010	PLATE CLUTCH DRIVE	5
31	M7321900	SET PLATE CLUTCH DRIVEN	RTR 160 &180	1	N3070020	PLATE CLUTCH DRIVEN	4
32	M7322040	SPRING CLUTCH	RTR 160 &180	1	M7070440	SPRING CLUTCH	4
33	M7321990	CYLINDER HEAD COMP WITH PIPE INSERT	RTR 160	1	M70112107D	HEAD COMP CYLINDER ASSY AX 150	1
				2	M7040229	INSERT AIR INJECTION	1
34	N9020150	RING SET STD	RTR 180	1	M7020300	RING PISTON TOP STD RTR 180	1
				2	M7020310	RING PISTON 2ND STD RTR 180	1
				3	M7020320	OIL RING PISTON DIA 62.5 STD RTR180	1
35	N9323030	RING SET I O/S	RTR 180	1	M7321740	RING PISTON TOP I O/S	1
				2	M7321760	RING PISTON 2nd I O/S RTR 180	1
				3	M7321780	OIL RING I O/S DIA 62.5 RTR180	1
36	N9323040	RING SET II O/S	RTR 180	1	M7321750	RING PISTON TOP II O/S RTR 180	1
				2	M7321770	RING PISTON 2nd II O/S RTR 180	1
				3	M7321790	3 PIECE OIL RING II O/S DIA 62.5 RTR 180	1
37	N9020140	PISTON KIT STD	RTR 180	1	M7020280	PISTON STD DIA 62.50	1
				2	N9020150	RING SET PISTON STD	1
				3	M7020370	PISTON PIN	1
				4	M1010440	CIRCLIP 17x1.0 PISTON PIN	2

KIT DETAILS

S.NO.	KIT NO.	DESCRIPTION	MODEL	KIT CONTENTS			
				S.NO.	PART NO.	DESCRIPTION	QTY
38	N9323010	PISTON KIT 1 O/S	RTR 180	1	M7321720	PISTON I O/S DIA 62.75	1
				2	N9323030	RING SET PISTON I O/S	1
				3	M7020370	PISTON PIN	1
				4	M1010440	CIRCLIP 17x1.0 PISTON PIN	2
39	N9323020	PISTON KIT II O/S	RTR 180	1	M7321730	PISTON II O/S DIA 63.00	1
				2	N9323040	RING SET PISTON II O/S	1
				3	M7020370	PISTON PIN	1
				4	M1010440	CIRCLIP 17x1.0 PISTON PIN	2
40	N9321790	FOAM KIT AIR FILTER - APACHE	RTR 160 &180	1	M1040700	FILTER ELEMENT	1
				2	M7040790	FOAM SAI - APACHE	1
41	N9323050	CHAIN & SPROCKET KIT 14/46/130L	RTR 180	1	N9112830	CHAIN ASSY- 130 LINKS RTR 180	1
				2	N9080250	SPROCKET ENGINE 14T RTR180	1
				3	N9112570	SPROCKET REAR 46T RTR 180	1
				4	1181160	WASHER REAR SPROCKET	2
42	N9323000	CYLINDER BLOCK & PISTON KIT	RTR 180	1	M7011310	CYLINDER BLOCK COMP RTR 180	1
				2	M7020280	PISTON STD DIA 62.50	1
				3	N9020150	RING SET PISTON STD	1
				4	M7020370	PISTON PIN	1
				5	M1010440	CIRCLIP 17x1.0 PISTON PIN	2
				6	M7011320	GASKET CYLINDER HEAD RTR 180	1
				7	M1010660	GASKET CYLINDER	1

NUMERICAL INDEX

PART NO.	FIG. NO.	REF. NO.
0064014	3	4
0074010	4	22
0074010	5	12
0098010	21	34
0178030	24	7
0249550	9	9
0254088	22	28
0330048	13	3
0330048	13A	3
0330048	25	7
0330174	10	16
0330174	10	28
0330318	13A	39
0330318	13A	54
0330318	21	12
0330318	22	21
0330318	22	40
0330318	25	9
0330318	29	29
0330328	13	68
0330328	14	3
0330328	17	4
0330328	17A	9
0330328	20	8
0330408	13	20
0330408	16	21
0330408	16	27
0330408	21	3
0331058	13	49
0331058	13A	51
0331248	24	3
0331288	13	85
0331288	13A	60
0331318	24	25
0331318	24A	19
0331618	17	14
0331645	13	26
0331708	21	16
0331708	3	33
0331708	5	8

PART NO.	FIG. NO.	REF. NO.
0331718	11	18
0331718	12	18
0331718	17	33
0331748	4	21
0332018	11	19
0332228	1	29
0332228	11	5A
0332228	3	5
0332238	10	35
0332238	11	14
0332248	11	5
0332275	12B	29
0332275	13A	10
0332275	17	18
0332275	17A	37
0332275	21	20
0332275	29	5
0332275	8	5
0334038	13	69
0334038	14	2
0334038	17	5
0334038	17A	10
0334038	20	9
0334047	26	1
0334146	18	23
0334158	23	14
0334158	25	1
0334218	25	8
0334548	13	71
0334548	24	29
0334548	24A	24
0334640	24	33
0334640	24A	28
0335014	10	11
0335528	13	15
0335528	13A	19
0335538	23	2
0335548	11	20
0335558	12	17
0335558	13A	28

PART NO.	FIG. NO.	REF. NO.
0335558	18A	40
0335578	13	41
0335578	13A	11
0335578	13A	31
0335578	24	5
0335605	13	27
0335605	18A	20
0335608	16	7
0335608	18A	21
0335608	19	5
0335608	20	2
0335608	27	3
0335608	8	4
0335618	17	35
0335618	18	8
0335618	18A	8
0335628	26	2
0335698	13	66
0335698	24	6
0335714	9	10
0336018	13	60
0336018	13A	72
0336018	25	12
0339060	4	23
1110020	24	14
11124505D	24	12
1181070	24	26
1181070	24A	20
1181150	24	24
1181150	24A	17
1181160	24	28
1181160	24A	23
1182200	24	16
1182200	24A	10
1339120	24	30
1339120	24A	21
1339510	24	15
1339510	24A	9
1339520	24	17
1339520	24A	11

PART NO.	FIG. NO.	REF. NO.
3040510	11	22
3044034	11	7A
3060510	4	37
3207018	25	13
3257448	28	26
3257598	13	72
410043700	22	27
410058700	22	26
414147000	12	8
414147000	12B	14
414147000	27	8
420001700	12	11
420001700	12B	16
420001700	17	13
420010700	11	17
420011700	26	7
420302700	18	24
420302700	18A	24
420302700	18A	39
420305700	11	37
420305700	13	17
420305700	13A	15
420305700	19	6
420305700	24	10
420305700	24A	5
420404000	22	31
420452700	1	40
420452700	13	21
420452700	21	2
420452700	26	8
420454700	13	61
420454700	13A	55
420454700	13A	71
420454700	22	41
420462700	11	31
420462700	12	12
420462700	12B	17
420462700	17A	14
420462700	18	9
420462700	18A	9

NUMERICAL INDEX

PART NO.	FIG. NO.	REF. NO.
420463700	20	7
420477700	21	11
420518000	16	22
420518700	18A	35
420518700	21	10
420955700	16	18
420955700	22	20
420955700	29	30
5227360	18	19
7100300	22	16
7100380	17A	39
7200120	16	28
8081410	11	40
8081460	11	24
8200120	13	22
8200140	28	25
8200320	11	23
C8080200	11	25
C8080260	10	38
C8090230	25	5
C8200040	18A	41
K122810	18	4
K122810	18A	4
K140820	8	15
K200320	13A	14
K200320	17	7
K200410	24	1
K200410	24A	1
K200540	17	19
K200690	14	7
K210800	15	7
K3100590	22	33
K3122240	15	10
K3160450	17	3
K3160450	17A	2
K3160450	20	12
K3160520	17	25
K3200450	22	34
K3200830	18A	18
K3200840	12B	4

PART NO.	FIG. NO.	REF. NO.
K3200840	18	12
K3200840	18A	12
K3200900	17	28
K5200010	18	27
M1010090	1	12
M1010200	1	37
M1010210	1	38
M1010250	2	1
M1010260	3	19
M1010400	3	1
M1010440	2	13
M1010490	1	35
M1010540	1	4
M1010580	1	21
M1010610	1	22
M1010660	2	7
M1040140	1	30
M1040170	8	7
M1040190	7	2
M1040200	7	3
M1040220	7	11
M1040250	7	8
M1040270	7	32
M1040280	7	34
M1040290	7	33
M1040300	7	36
M1040340	7	31
M1040370	7	26
M1040380	7	27
M1040390	7	29
M1040410	7	21
M1040420	7	20
M1040430	7	19
M1040440	7	37
M1040460	7	25
M1040470	7	24
M1040490	7	23
M1040530	7	1
M1040540	7	39
M1040570	7	30

PART NO.	FIG. NO.	REF. NO.
M1040610	8	6
M1040630	8	17
M1040650	12	21
M1040650	12B	21
M1040670	8	9
M1040700	8	8
M1040760	7	4
M1040770	7	6
M1040780	7	7
M1040800	7	13
M1040810	7	17
M1040820	7	35
M1040870	7	28
M1040910	7	5
M1041070	7	40
M1060060	3	12
M1070100	5	10
M1080010	4	40
M1080030	3	6
M1080080	4	41
M1080320	5	11
M1080330	4	18
M1080370	1	31
M1080370	3	17
M1080380	3	18
M1080400	4	9
M1080420	3	26
M1080420	5	17
M1080430	3	24
M1080460	5	22
M1080480	5	2
M1080490	5	23
M1080500	1	39
M1080510	1	32
M1080520	1	5
M1080540	4	6
M1080560	3	34
M1080570	3	31
M1080580	3	28
M1080590	4	7

PART NO.	FIG. NO.	REF. NO.
M1080600	4	4
M1080610	3	32
M1080620	4	5
M1080630	4	39
M1080740	11	28
M1080830	11	1
M1080890	9	12
M1080900	9	15
M1080930	9	13
M1080940	9	19
M1080990	1	33
M1081090	3	20
M1081450	11	26A
M1081650	3	3
M1121040	5	9
M1130240	15	8
M1140220	12	7
M1140220	12B	13
M1200010	1	8
M1200050	1	26
M1200060	1	25
M1200060	13A	53
M1200070	3	7
M1200080	3	27
M1200120	13	55
M1200120	13A	61
M1200140	2	23
M1200170	5	1
M1200220	1	27
M1200250	4	38
M1200260	10	1
M1200290	10	33
M1200300	10	32
M1200380	4	23A
M1200440	3	22
M1200450	3	35
M1200470	4	16
M1200480	6	1
M1200480	12	3
M1200480	12B	7

NUMERICAL INDEX

PART NO.	FIG. NO.	REF. NO.
M1200480	13	83
M1200480	13A	78
M1200500	5	14
M1200510	3	11
M1200520	4	1
M1200530	3	30
M1200540	4	2
M1200590	1	10
M1200600	1	7
M1200610	17	10
M1200610	17	34
M1200640	27	14
M1200660	18A	19
M1200660	8	11
M1200670	5	20
M1200690	11	3
M1200700	9	18
M1200730	3	2
M1200760	2	19
M1200770	5	5
M1200780	1	44
M1200780	3	16
M1200790	5	4
M1200810	10	4
M1200820	17A	6
M1200820	5	6
M1200850	13	78
M1200870	3	25
M1200890	6	15
M1200890	13	47
M1200890	13A	46
M1200900	16	9
M1200900	2	6
M1200940	10	9
M1201050	18	13
M1201050	18A	13
M1201190	9	14
M1203670	21	32
M1310010	30	1A
M1310020	30	2A

PART NO.	FIG. NO.	REF. NO.
M1310070	30	3A
M1310110	30	4A
M6080090	11	2
M7010270	1	45
M7010280	1	43
M7010800	1	34
M7010840	1	36
M7010850	1	6
M7010910	1	41
M7011010	1	24
M7011110	1	42
M7011120	1	17
M7011130	2	2
M70112607D	2	3
M7011310	2	3A
M7011320	2	5
M7011370	2	8
M7011510	1	6A
M7020270	2	21
M7020370	2	16
M70300707D	3	15
M70301707D	5	13
M70304207D	4	17
M7040060	27	11
M7040080	27	12
M7040730	1	28
M7040780	8	2
M7040790	8	12
M7040820	8	3
M7041000	8	16
M7041030	8	14
M7041070	8	1
M7041090	8	10
M7051070	6	4
M7060190	21	21
M7070060	4	31
M7070100	4	29
M7070110	4	30
M7070130	4	25
M7070240	4	35

PART NO.	FIG. NO.	REF. NO.
M7070330	4	8
M7070350	4	14
M7070380	4	11
M7070440	4	27
M7080269	10	31
M7080280	10	18
M7080299	10	30
M7080309	10	27
M7080310	10	15
M7080320	10	19
M7080339	10	29
M7080340	10	13
M7080370	10	36
M7080400	10	12
M7080439	10	26
M7080450	10	24
M7080460	10	25
M7080470	11	21
M7080520	11	12
M7080530	10	34
M7080560	11	8A
M7080570	9	11
M7080580	11	11
M7080590	11	10
M7080690	11	29
M7080740	9	17
M7080840	4	36
M7080860	10	17
M7080870	10	8
M7080890	10	21
M7080920	10	7
M70809607D	4	3
M7080980	5	16
M7081100	10	3
M7081220	3	3A
M7081290	11	4
M7081300	10	20
M7081320	11	6A
M7081370	11	35
M7081400	11	33

PART NO.	FIG. NO.	REF. NO.
M7081450	11	36
M7081500	9	1
M7081640	11	38
M7081650	11	32
M7081740	11	39
M7081790	11	26
M7081800	11	8
M7081820	11	7
M7081840	11	30
M7081850	11	15
M7081860	11	16
M7081950	9	4
M7090970	25	10
M7100310	22	15
M7100370	22	38
M7101020	22	35
M7101170	22	29
M7110090	23	3
M7110090	24A	6
M7110100	23	6
M7110160	23	12
M7110330	29	3
M7110740	24	32
M7110740	24A	25
M71107505D	24	11
M7110770	24	4
M7121680	17	12
M7160120	18A	23
M7160190	17	26
M7160190	17A	29
M7200010	24	34
M7200010	24A	27
M7200020	24	2
M7200020	24A	2
M7200040	10	23
M7200070	13	46
M7200070	13A	48
M7200250	10	2
M7200260	10	10
M7200420	10	14

NUMERICAL INDEX

PART NO.	FIG. NO.	REF. NO.
M7200430	10	39
M7200460	10	37
M7200490	4	13
M7200500	4	15
M7200510	4	12
M7200530	2	22
M7200550	11	34
M7200730	3	21
M7320260	7	18
M7321280	7	9
M7321290	7	10
M7321300	7	22
M7321310	7	16
M7321340	7	38
M7321350	7	41
M7321580	10	41
M7321630	2	17
M7321640	2	17A
M7321650	2	17B
M7321890	4	32
M7321900	4	33
M7321960	2	14A
M7321970	2	14B
M7321990	1	16
M7322000	2	25
M7322020	2	14
M7322040	4	28
M7322050	3	10
M8081810	11	6
N1070010	4	27A
N2010960	1	9
N2011040	1	19
N2041150	27	2
N2041160	27	10
N2041670	27	4
N2060100	11	13
N2070200	4	34
N2070360	4	26
N2081150	4	10
N2081430	9	6

PART NO.	FIG. NO.	REF. NO.
N2081440	9	5
N2081450	9	3
N2081570	11	9
N2081600	3	8
N2081650	9	16
N2081680	5	18
N2081690	5	15
N2081720	3	23
N2081760	9	2
N2110130	24	13
N2110600	13	38
N2110600	13A	27
N2110700	13	40
N2110700	13A	30
N2121060	13	25
N2140060	12	23
N2140060	12B	26
N2200470	13	35
N2200470	13A	24
N2200500	2	12
N2200500	4	24
N2200550	4	19
N3011280	1	20
N3040360	8	13
N3050350	13	24
N3060110	21	22
N3080170	2	20
N3080270	9	20
N3090670	25	3
N3090700	25	11
N3091850	24	9
N3091850	24A	4
N3100300	22	2
N3100330	22	11
N3100730	22	3
N3100730	22	3A
N3102410	22	19
N3102420	22	4
N3110360	13	42
N3110360	13A	32

PART NO.	FIG. NO.	REF. NO.
N3110990	23	1
N3120130	19	9
N3120130	17	38
N3120130	17A	7
N3120130	18	7
N3120130	18A	7
N3120140	17	36
N3120410	13	80
N3120410	13A	74
N3120600	17	15
N3120860	14	1
N3120990	17A	33
N3121540	14	5
N3130100	18	5
N3130100	18A	5
N3140120	12	10
N3140120	12B	15
N3150280	16	29
N3160220	27	5
N3160340	21	30
N3200010	23	7
N3200050	26	5
N3200150	13	79
N3200190	27	6
N3200210	6	6
N3200220	17A	16
N3200240	9	7
N3200340	19	7
N3200340	12	15
N3200340	12B	20
N3200340	18A	15
N3200340	20	4
N3200340	17A	15
N3210190	12	5
N4011100	1	23
N4121370	13A	47
N4160320	18A	38
N5080060	10	22
N5101939	22	10
N5101979	22	18

PART NO.	FIG. NO.	REF. NO.
N5120820	17A	25
N5120820	17A	30
N5121610	14	10
N5200180	6	1A
N5200330	13	56
N5200330	13A	59
N5200340	17A	13
N5200400	13	18
N5200400	13A	16
N5200430	13	84
N5200430	13A	75
N5200440	18	6
N5200440	18A	6
N5200480	18A	29
N5200480	25	2
N8040340	27	13
N8050690	6	5
N8090380	25	6
N8101220	22	7
N8101230	22	8
N8101320	22	13
N8111110	21	6
N8120910	22	22
N8120920	22	23
N8122610	19	8
N8122610	17	9
N8122610	18A	33
N8122610	17A	12
N8130130	15	6
N8200050	14	6
N8200080	17A	4
N8200150	6	7
N8220180	17	8
N8220180	20	6
N8220300	18	20
N8220500	17	21
N8320070	22	44
N90105007D	1	16A
N90105107D	1	1A
N9020120	2	21A

NUMERICAL INDEX

PART NO.	FIG. NO.	REF. NO.
N9020140	2	18
N9020150	2	15
N9040300	27	9
N9041060	27	7
N9041080	27	1
N9041380	7	43
N9041380N	7	43A
N9041400N	7	43B
N9041560	27	12A
N9051520	6	8
N9051850	6	13
N9051860	6	12
N9052440	6	9
N9052660	6	16
N9053160	6	16A
N9053170	6	4A
N9053180	6	9A
N9060180	21	33
N9060280	21	35
N9060320	5	7
N9060370	21	29
N9060400	5	27
N9060430	21	29A
N9070120	4	26A
N9080240	3	6A
N9080250	10	7A
N9080440	5	21
N9080670	4	20
N9081170	5	19A
N9090940	24A	26
N9091330	24	31
N9091340	24	8
N9091340	24A	3
N9091450	26	3
N9091650	25	4A
N9091700	26	6
N9091750	26	4
N9091760	26	3A
N9091770	26	4A
N9092230	25	4B

PART NO.	FIG. NO.	REF. NO.
N9092250	26	4B
N9092260	26	3B
N9100870	22	6
N91008708R	22	6A
N9100890	22	5
N9100960	22	42
N91009608R	22	42A
N9100970	22	43
N91009708R	22	43A
N9101000	16	19
N9101010	22	17
N9101020	22	14
N9101060	22	25
N91010608R	22	25A
N9101080	22	1
N91010808R	22	1A
N9101090	22	9
N9101120	22	12
N9110690	24	23
N9110690	24A	18
N9110700	24	35
N9110700	24A	29
N9111100	23	11
N9111110	24A	16
N9111140	16	11
N9111140	28	1
N91111403C	16	11A
N91111403C	28	1A
N9111150	24A	13
N9111160B	24	18
N9111220	28	27
N9111270	28	24
N9111300	28	38
N9111320	28	23
N9111330	28	22
N9111330	29	2
N9111340	24A	7
N9111430	29	1
N9111680	13	39
N9111680	13A	29

PART NO.	FIG. NO.	REF. NO.
N9111790	24	20
N9111790	24A	14
N9111800	23	13
N9111840	13	37A
N9111840	13A	26A
N9111870	29	28
N9111890	23	4
N9111920	28	21
N9111930	28	33
N9111980	13	37
N9111980	13A	26
N9112000	13	34
N9112000	13A	22
N9112010	13	33
N9112010	13A	23
N9112060	29	31
N9112070	29	4
N9112100	24A	12
N9112140	13	19
N9112180	22	39
N9112190	24A	8
N9112520	24	27
N9112520	24A	22
N9112570	24A	22A
N9112610	10	5
N9112730	24	22
N9112770	24	22A
N9112830	10	5A
N9112840	24A	16A
N9112950	24	19
N9113800	24	18A
N9113810	24	19A
N9113810	24A	13A
N9113820	24	20A
N9113820	24A	14A
N9113840	23	5A
N9113850	23	8
N9113860	23	9
N9113880	24A	12A
N9113900	23	5B

PART NO.	FIG. NO.	REF. NO.
N9121790	13	30
N9121790	13A	34
N9122690	21	24
N9122990	13	57
N9123000	13	45
N9123220	15	9
N9123750	13	51
N9123750	13A	45
N9123760	13	54
N9123920	13	4
N9123920	13A	4
N9123930	13	63
N9123930	13A	68
N9123940	13A	36
N9123950	13A	69
N9123970	13	32
N9123970	13A	37
N9123980	13	31
N9123980	13A	35
N9123990	13	6
N9123990	13A	6
N9124000	13	9
N9124000	13A	9
N9124020	13	2
N9124020	13A	2
N9124030	13	64
N9124030	13A	67
N9124040	13	7
N9124040	13A	7
N9124050	13	5
N9124050	13A	5
N9124200	13	70
N9124300	13	13
N9124430	21	18
N9124450	13	12
N9124640	14	9
N9124730	14	4
N9124890	13	25A
N9124890	13A	41
N9124990	13	52

NUMERICAL INDEX

PART NO.	FIG. NO.	REF. NO.
N9124990	13A	49
N9124990	13A	57
N9125000	13	53
N9125000	13A	50
N9125000	13A	58
N9125010	13	29
N9125020	13	62
N9125030	13	28
N9125050	13	75
N9125060	13	73
N9125070	13	74
N9125130	13	76
N9125150	13	77
N9125310	21	18A
N9125560	13	44
N9125580	13	25B
N9125580	13A	43
N9125590	13	24A
N9125590	13A	42
N9125860	13A	44
N9125920	13A	62
N9125980	13A	18A
N9125990	13A	63
N9126060	13A	18
N9126160	13A	21
N9126170	13A	56
N9130060	15	1
N9130070	15	4
N9130080	15	3
N9130120	15	5
N9130150	15	1A
N9130160	15	4A
N9130170	15	3A
N9130180	15	2A
N9140470	12	1
N9140470	12B	5
N91405000DB	Page 130	3
N91405002HB	Page 130	3
N91405006RA	Page 129	3
N91405008DA	Page 129	3

PART NO.	FIG. NO.	REF. NO.
N9140530	12	6
N9140530	12B	11
N9140540	12	4
N9140540	12B	8
N9140650	12	19
N9140650	12B	22
N9140670	12	9
N9140670	12B	12
N9140700	12	20
N9140700	12B	24
N9141000	12	14
N91410600DA	Page 131	5
N91410602HA	Page 131	5
N91410608DA	Page 132	5
N91410609GA	Page 132	5
N91411900D	Page 134	6
N91411900DE	Page 133	6
N91411900DG	Page 133	6
N91411902FA	Page 134	6
N9150440	16	23
N91504403C	16	23A
N9150450	16	26
N9150520	16	25
N91505203C	16	25A
N9150770	16	3
N9150790	16	30
N9150820	16	13
N9151190	16	6
N9151200	16	4
N9151210	16	8
N9151220	16	1
N9151250	16	16
N9151390	16	13A
N9151400	16	30A
N9151660	16	16B
N9151750	16	16A
N9160380	21	19
N9160390	17	30
N9160480	16	20
N9160480	21	9

PART NO.	FIG. NO.	REF. NO.
N9160680	21	17
N9160840	21	14
N9160850	21	13
N9160880	17	24
N9160890	17	23
N9160900	21	5
N9160910	16	24
N9161080	20	14
N9161150	16	10
N9161190	21	1
N9161200	16	32
N9161260	21	31
N9161360	17	39
N9161360	17A	35
N9161370	17	1
N9161370	17A	1
N9161380	20	16
N9161390	20	11
N9161700	12	22
N9161700	12B	25
N9161840	21	26
N9161890	21	15
N9161930	16	32A
N9161940	16	10A
N9162030	21	25
N9162100	17A	31
N9162120	21	27
N9170090	15	11
N9170230	16	35
N9170240	16	36
N9170250	16	37
N9180030	1	46A
N9180470	1	46
N9200100	6	2
N9200150	16	14
N9200210	14	8
N9200220	13	11
N9200220	13A	65
N9200230	13	10
N9200230	13A	66

PART NO.	FIG. NO.	REF. NO.
N9200250	13	14
N9200250	13A	20
N9200280	13	48
N9200300	13	36
N9200300	13A	25
N9200310	13	1
N9200310	13A	1
N9200350	16	2
N9200400	13	8
N9200400	13A	8
N9200460	17A	20
N9212050	18	1
N9212050	18A	1
N9212210	21	7
N9212270	30	1
N9212390	21	23
N9213840	31	1A
N9213870	31	11A
N9213920	16	15
N9213930	31	1
N9213930	31	1C
N9213960	31	11
N9213960	31	11C
N9214060	31	2B
N9214070	31	3B
N9214140	31	1B
N9214150	31	11B
N9214330	31	6
N9214330	31	6A
N9214330	31	6B
N9214330	31	6C
N9214340	31	7
N9214340	31	7A
N9214340	31	7B
N9214340	31	7C
N9214370	31	9
N9214370	31	9A
N9214370	31	9B
N9214370	31	9C
N9214380	31	10

NUMERICAL INDEX

PART NO.	FIG. NO.	REF. NO.
N9214380	31	10A
N9214380	31	10B
N9214380	31	10C
N9214620	31	4
N9214620	31	4C
N9214620	31A	4
N9214620	31A	4C
N9214630	31	5
N9214630	31	5C
N9214630	31A	5
N9214630	31A	5C
N9214650	31	4A
N9214650	31A	4A
N9214660	31	5A
N9214660	31A	5A
N9214690	31	4B
N9214690	31A	4B
N9214700	31	5B
N9214700	31A	5B
N9214830	16	15A
N9215680	31	8
N9215680	31	8A
N9215680	31	8B
N9215680	31	8C
N9215980	31	12
N9215980	31	12C
N9215980	31A	12
N9215980	31A	12C
N9215990	31	12A
N9215990	31A	12A
N9216000	31	12B
N9216000	31A	12B
N9216580	23	10A
N92201300DB	Page 130	6
N92201300DB	Page 131	8
N92201302HB	Page 130	6
N92201302HB	Page 131	8
N92201306RA	Page 129	6
N92201308DA	Page 129	6
N92201308DA	Page 132	8

PART NO.	FIG. NO.	REF. NO.
N92201309GC	Page 132	8
N92201400DB	Page 130	7
N92201400DB	Page 131	9
N92201402HB	Page 130	7
N92201402HB	Page 131	9
N92201406RA	Page 129	7
N92201408DA	Page 129	7
N92201408DA	Page 132	9
N92201409GC	Page 132	9
N92201500D	Page 130	8
N92201500D	Page 131	10
N92201502H	Page 130	8
N92201502H	Page 131	10
N92201506R	Page 129	8
N92201508D	Page 129	8
N92201508D	Page 132	10
N92201509GB	Page 132	10
N922016008D	Page 129	1
N92201600DA	Page 130	1
N92201600DA	Page 131	1
N92201600DJ	Page 133	1
N92201600DL	Page 133	1
N92201600DM	Page 134	1
N92201602FD	Page 134	1
N92201602HA	Page 130	1
N92201602HA	Page 131	1
N92201606R	Page 129	1
N92201608D	Page 132	1
N92201609G	Page 132	1
N92202390D	Page 130	2
N92202390D	Page 131	2
N92202392H	Page 130	2
N92202392H	Page 131	2
N92202396R	Page 129	2
N92202398D	Page 129	2
N92202398D	Page 132	2
N92202399G	Page 132	2
N9220240	17	6
N92202609DA	Page 129	5
N92202609DA	Page 129	5

PART NO.	FIG. NO.	REF. NO.
N92202609DA	Page 130	5
N92202609DA	Page 130	5
N92202609DA	Page 131	7
N92202609DA	Page 131	7
N92202609DA	Page 132	7
N92202609DA	Page 132	7
N92202709DA	Page 129	4
N92202709DA	Page 129	4
N92202709DA	Page 130	4
N92202709DA	Page 130	4
N92202709DA	Page 131	6
N92202709DA	Page 131	6
N92202709DA	Page 132	6
N92202709DA	Page 132	6
N9220360	17	11
N9220370	17	37
N9220400	20	3
N9220480	18	30
N9220480	18A	27
N9220490	18A	37
N9220530	18	3
N9220530	18A	3
N9220560	18	11
N9220560	18A	11
N92207207D	5	19
N9220760	19	4
N9220880	13	23
N9220960	20	5
N92210107D	13	58
N92210207D	13	16
N92210507D	13	81
N92210507D	13A	76
N92210607D	13	82
N92210607D	13A	77
N9221070	16	31
N9221150	19	1
N9221170	16	5
N9221180	6	10
N9221200	6	3
N9221220	18	17

PART NO.	FIG. NO.	REF. NO.
N9221230	18	14
N9221260	18	16
N9221290	20	10
N92213790D	Page 130	9
N92213790D	Page 131	11
N92213792H	Page 130	9
N92213792H	Page 131	11
N92213796R	Page 129	9
N92213798D	Page 129	9
N92213798D	Page 132	11
N92213799G	Page 132	11
N92213890D	Page 130	11
N92213890D	Page 131	13
N92213892H	Page 130	11
N92213892H	Page 131	13
N92213896R	Page 129	11
N92213898D	Page 129	11
N92213898D	Page 132	13
N92213899G	Page 132	13
N92213990D	Page 130	10
N92213990D	Page 131	12
N92213992H	Page 130	10
N92213992H	Page 131	12
N92213996R	Page 129	10
N92213998D	Page 129	10
N92213998D	Page 132	12
N92213999G	Page 132	12
N9221440	13	50
N9221440	13A	52
N9221450	16	34
N9221460	16	33
N9221490	17	16
N9221560	13	65
N9221580	13	59
N9221580	13A	73
N9221650	18	22
N9221780	17	32
N92218300D	Page 131	3
N92218302H	Page 131	3
N92218308D	Page 132	3

NUMERICAL INDEX

PART NO.	FIG. NO.	REF. NO.
N92218309GA	Page 132	3
N92218400D	Page 131	4
N92218402H	Page 131	4
N92218408D	Page 132	4
N92218409GA	Page 132	4
N92218595D	12	16
N92218695D	12	24
N9222010	18A	42
N9222040	18A	25
N9222080	18A	22
N92222700D	Page 134	9
N92222700DE	Page 133	9
N92222700DG	Page 133	9
N92222702FA	Page 134	9
N92222800D	Page 134	10
N92222800DE	Page 133	10
N92222800DG	Page 133	10
N92222802FA	Page 134	10
N92222900D	Page 134	11
N92222900DE	Page 133	11
N92222900DG	Page 133	11
N92222902FA	Page 134	11
N9222300	18A	17
N9222359	23	10
N9222359	24	21A
N92227503G	Page 133	12
N9222750CL	Page 133	12
N92227590D	Page 134	12
N92227592F	Page 134	12
N92227600D	Page 134	13
N92227602FA	Page 134	13
N92227603G	Page 133	13
N9222760CL	Page 133	13
N9222779	18A	31
N92228090D	Page 134	3
N92228092F	Page 134	3
N92228093G	Page 133	3
N9222809CL	Page 133	3
N9222810	17A	5
N9222820	17A	23

PART NO.	FIG. NO.	REF. NO.
N92228390D	Page 134	2
N92228392F	Page 134	2
N92228393G	Page 133	2
N9222839CL	Page 133	2
N9222840	13A	70
N9222850	13A	40
N9222860	Page 133	7
N9222860	Page 133	7
N9222860	Page 134	7
N9222860	Page 134	7
N9222870	Page 133	8
N9222870	Page 133	8
N9222870	Page 134	8
N9222870	Page 134	8
N92228800DA	Page 134	4
N92228802FB	Page 134	4
N92228803G	Page 133	4
N9222880CL	Page 133	4
N9222890	12B	19
N92229000DA	Page 134	5
N92229002FB	Page 134	5
N92229003G	Page 133	5
N9222900CL	Page 133	5
N9222910	12B	27
N9222970	19	10
N9222980	17A	38
N9222990	19	1A
N9223070	13A	64
N9223080	13A	12
N9223110	12B	6
N9223290	17A	21
N9223350	17A	32
N9223360	17A	18
N9223380	12B	3
N9223480	17A	11
N9223490	17A	8
N9223530	17A	28
N9223540	17A	24
N9223890	18A	26
N9223920	12B	2

PART NO.	FIG. NO.	REF. NO.
N9223950	13A	13
N9223960	19	11
N9223980	Page 134	14
N9224850	12B	9
N9225170	Page 133	14
N9225320	17A	36
N9225470	Page 133	14
N9225490	24A	15A
N9310090	15	2
N9321400	21	8
N9321500	16	12
N9321500	16	16
N9321520	28	18
N9321530	28	8
N9321550	28	28
N9321560	28	32
N9321570	28	34
N9321570	28	42
N9321580	29	32
N9321820	17	40
N9321820	17A	40
N9321820	20	13
N9321830	17	2
N9321830	17A	3
N9321830	20	17
N9321860	28	40
N9321920	5	25
N9321940	14	11
N9321960	25	4
N9321970	7	12
N9321990	7	15
N9322000	7	14
N9322010	28	10
N9322020	16	12A
N9322020	16	16A
N9322020	28	15
N9322040	19	2
N9322050	19	3
N9322070	31	2
N9322070	31	2C

PART NO.	FIG. NO.	REF. NO.
N9322080	31	3
N9322080	31	3C
N9322090	31	2A
N9322100	31	3A
N9322140	22	24
N9322150	20	15
N9322190	29	34
N9322220	29	43
N9322240	29	36
N9322250	29	32
N9322260	29	10
N9322270	29	6
N9322320	24	21
N9322320	24A	15
N9322330	1	1
N9322340	3	14
N9322450	5	26
N9322710	10	40
N9322710	24	36
N9322710	24A	30
N9322720	10	6
N9322780	3	10A
N9322800	22	12A
N9322820	22	11A
N9322830	22	10A
N9322830	22	17A
N9322840	28	12
N9322840	28	2
N9322860	22	2A
N9322860	22	8A
N9322870	7	10A
N9322880	7	12A
N9322890	7	18A
N9322900	7	16A
N9322910	7	15A
N9322920	7	14A
N9322930	7	36A
N9322940	7	22A
N9322950	7	32A
N9322960	7	9A

PT TVS Motor Company Indonesia

Kantor Sales & Marketing

Gedung Wirausaha Lantai 3 Jl. HR Rasuna Said Kav. C-5
Kuningan, Jakarta 12920, Indonesia

Ph : +62 21 300 20570 Fax: +62 21 300 20576 www.tvsmotor.co.id

Pabrik

Surya Cipta, Jl. Surya Madya Kav. 1-30, Suryacipta City of Industry
Desa Kutanegara, Karawang, Jawa Barat 41361, Indonesia

Edisi Perdana, MAY 2012