

MAX *125*

PARTS CATALOGUE



NOTICE

The description and illustrations in this booklet are not to be taken as binding on the manufactures. The essential features of the type described and illustrated herein remains unaltered, PT TVS MOTOR COMPANY INDONESIA, reserves the right to carry out any moment, without being obliged to bring this booklet up-date modifications, on the vehicle, parts of accessories, as may be convenient and necessary.

FORWARD

We have great pleasure in releasing the first edition of TVS MAX Parts catalogue. This catalogue is designed to assist you to select correct parts for ordering.

TVS Genuine parts have a rigorous standard of quality check at various stages. So while it becomes important to use only TVS Genuine parts. In continues efforts in improving the performance and efficiency of the vehicle, design, specifications, diagram/illustrations and part numbers can change without any notice. It is your responsibility to get your parts catalogue updated through the information given to you from PTTVS Motor Company.

While ordering parts please ensure that correct part number, description and quantity are specified clearly.

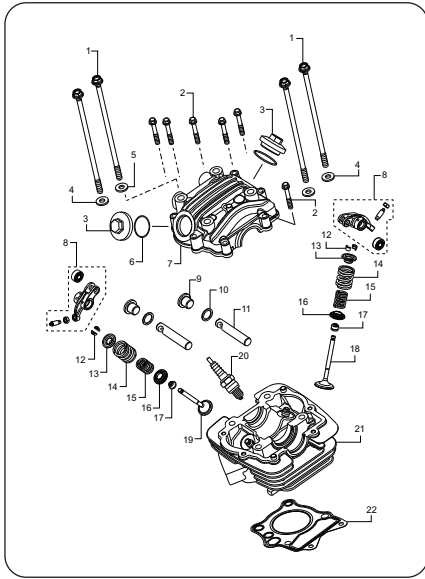
Please note that the drawings and illustrations used in this parts catalogue are only a reference for the dealer to order spare parts. This cannot be used for anything related to repair/maintanance. For such purpose please refer MAX service manual.

This parts catalogue is exclusively for PTTVS Motor Company authorised outlets only.

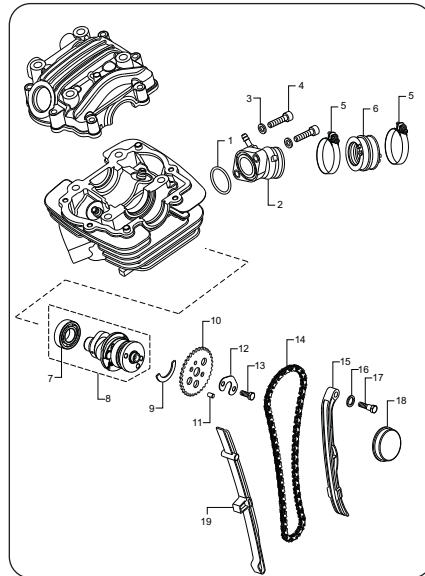
In case of assistance please contact us.

PT TVSMOTORCOMPANYINDONESIA

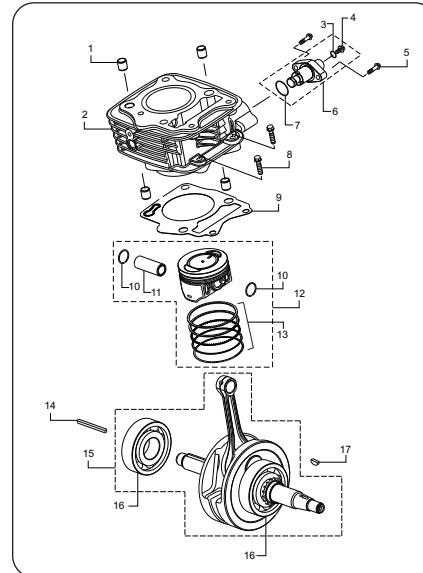
CHAPTER INDEX



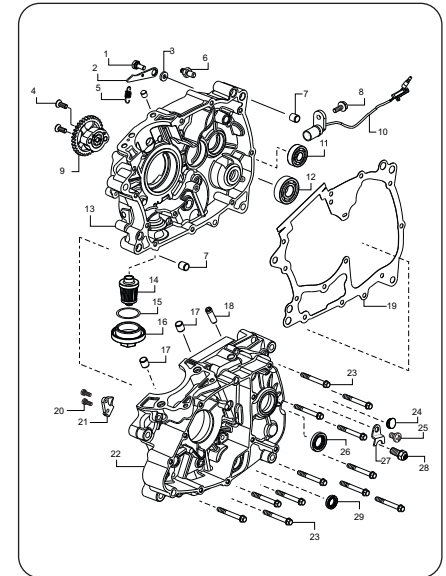
CYLINDER HEAD ASSEMBLY
FIG. NO. 01 on PAGE NO. 01



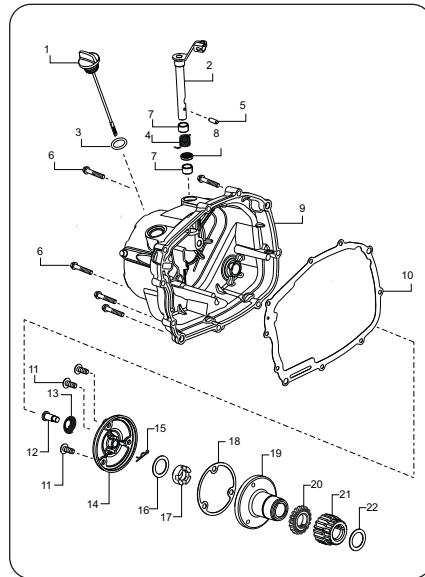
CAMSHAFT ASSEMBLY
FIG. NO. 02 on PAGE NO. 02



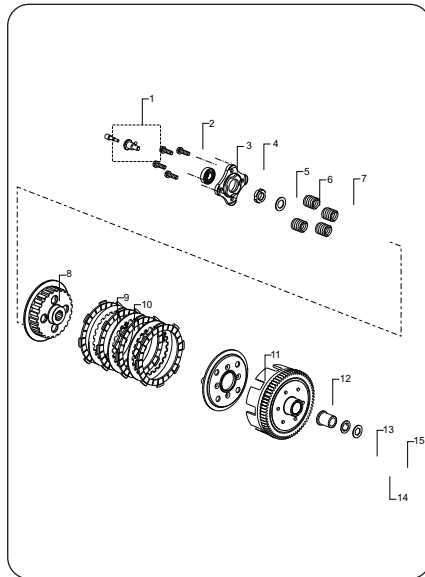
CYLINDER BLOCK & CRANK SHAFT ASSEMBLY
FIG. NO. 03 on PAGE NO. 03



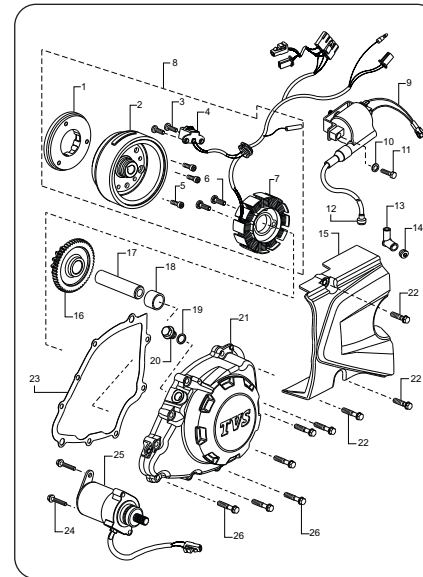
CRANKCASE LH , RH & OIL PUMP ASSY
FIG. NO. 04 on PAGE NO. 04



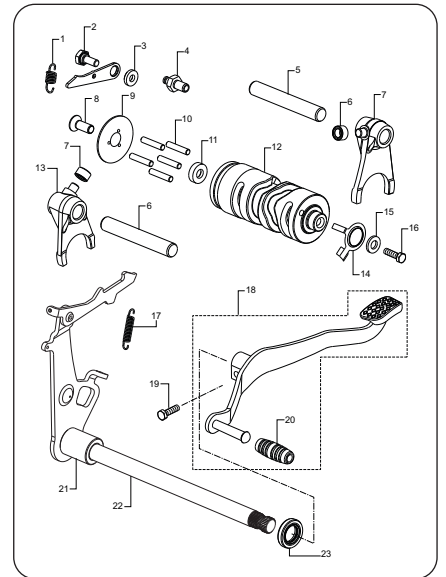
COVER CLUTCH ASSEMBLY
FIG. NO. 05 on PAGE NO. 06



CLUTCH ASSEMBLY
FIG. NO. 06 on PAGE NO. 07

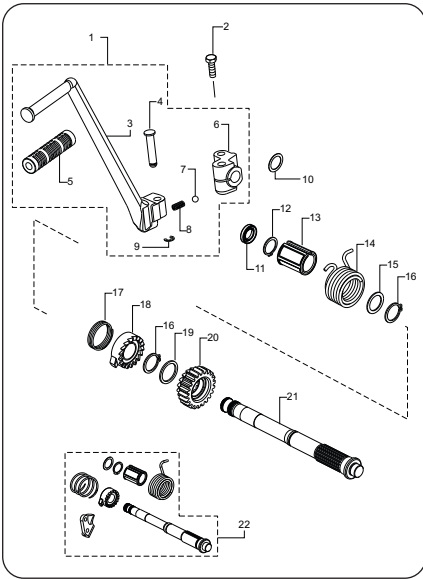


MAGNETO ASSEMBLY
FIG. NO. 07 on PAGE NO. 08

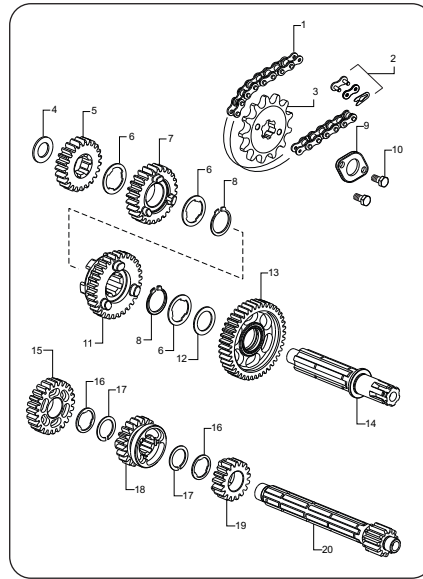


GEAR SHIFT ASSEMBLY
FIG. NO. 08 on PAGE NO. 10

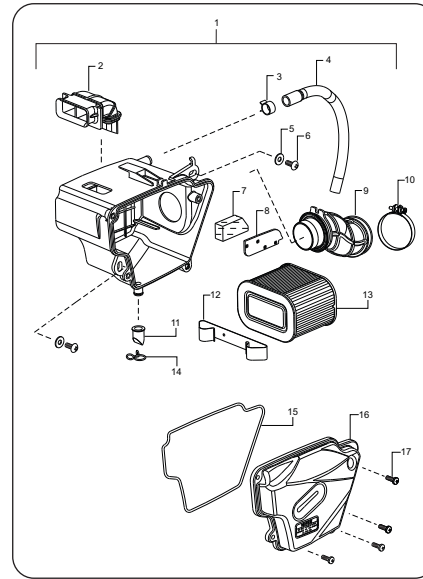
CHAPTER INDEX



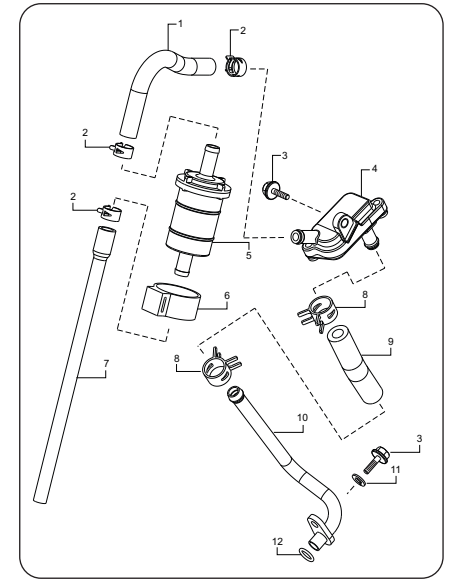
KICK STARTER ASSEMBLY
FIG. NO. 09 on PAGE NO. 11



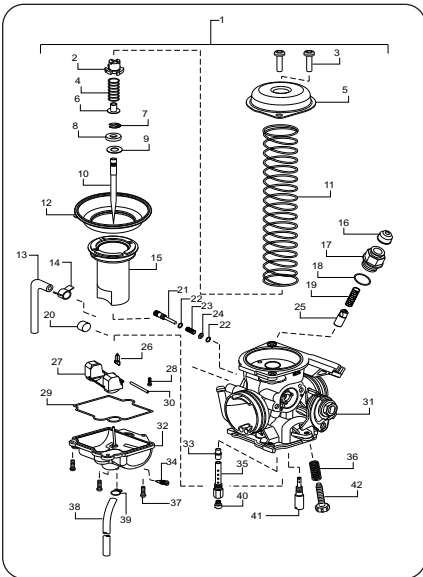
TRANSMISSION ASSEMBLY
FIG. NO. 10 on PAGE NO. 12



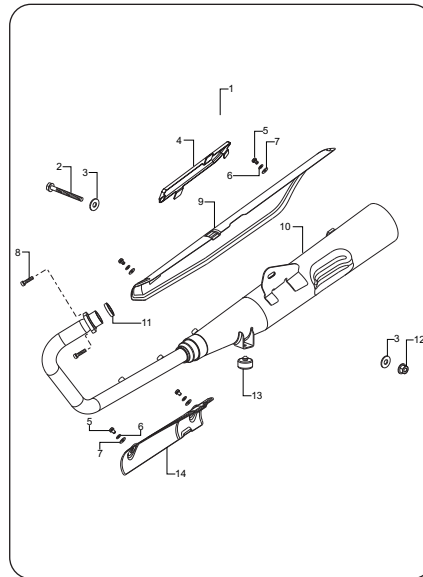
AIR CLEANER ASSEMBLY
FIG. NO. 11 on PAGE NO. 13



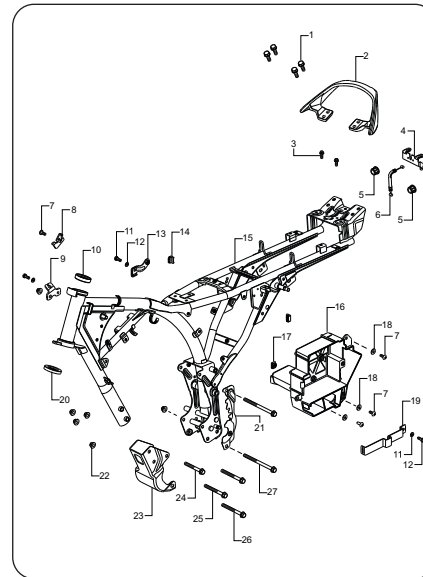
SECONDARY AIR INJECTION ASSY
FIG. NO. 12 on PAGE NO. 14



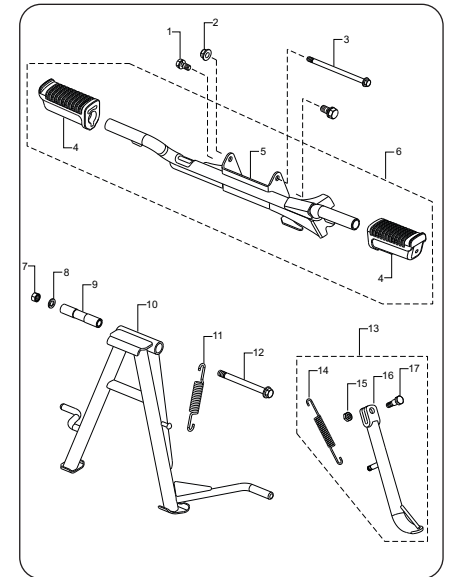
CARBURETTOR ASSEMBLY
FIG. NO. 13 on PAGE NO. 15



MUFFLER ASSEMBLY
FIG. NO. 14 on PAGE NO. 17

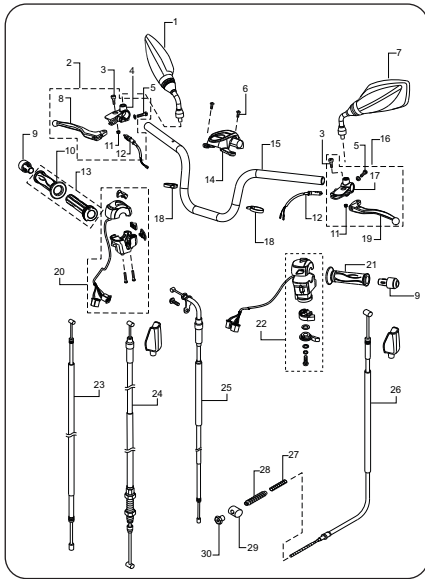


N5120840 - FRAME ASSEMBLY
FIG. NO. 15 on PAGE NO. 18

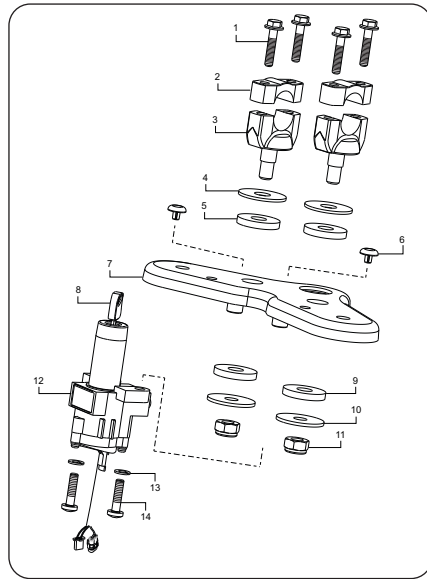


CENTER STAND & FOOT REST ASSY
FIG. NO. 16 on PAGE NO. 20

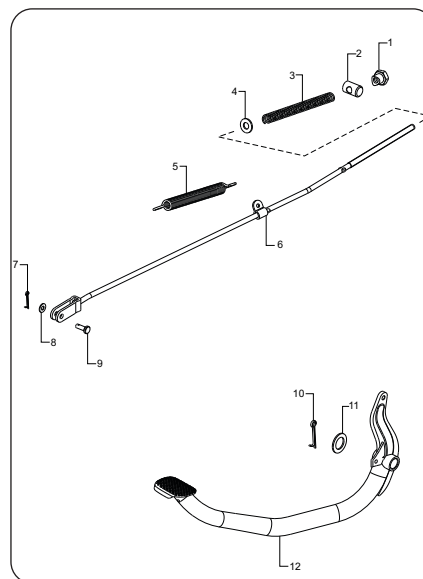
CHAPTER INDEX



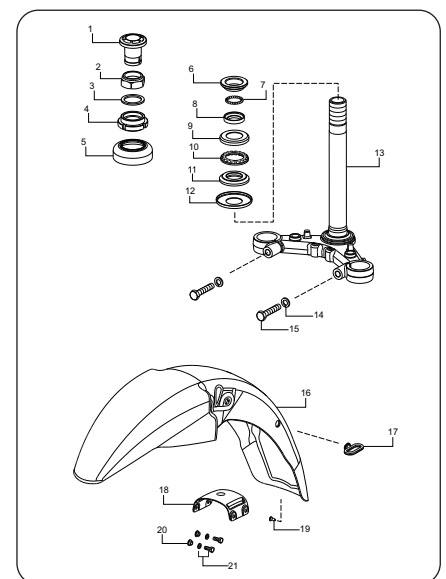
HANDLE BAR ASSEMBLY
FIG. NO. 17 on PAGE NO. 21



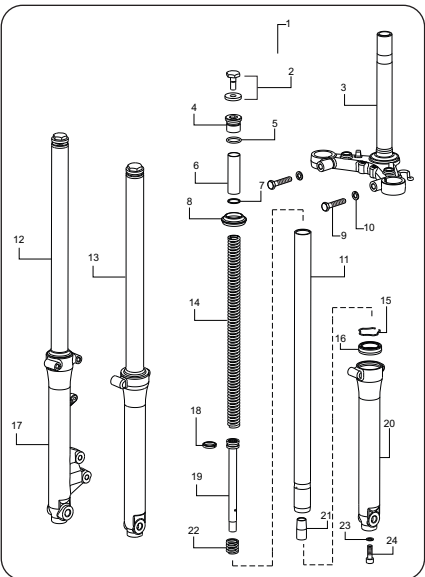
HANDLE HOLDER ASSEMBLY
FIG. NO. 18 on PAGE NO. 23



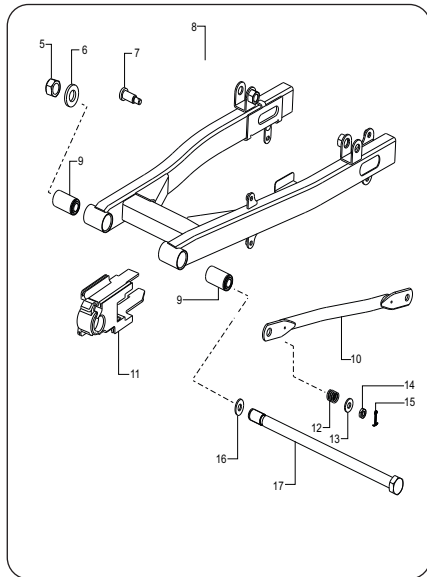
BRAKE PEDAL ASSEMBLY
FIG. NO. 19 on PAGE NO. 24



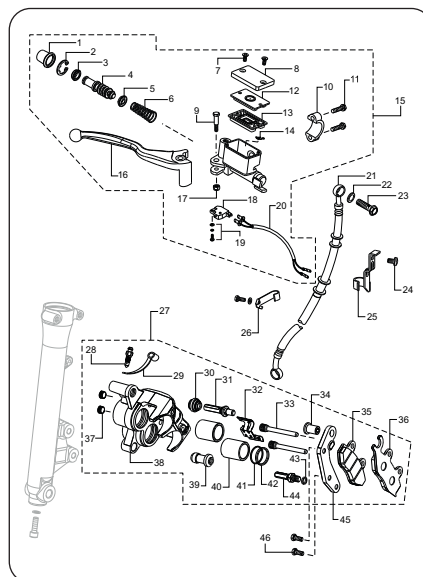
UNDER BRACKET ASSEMBLY
FIG. NO. 20 on PAGE NO. 25



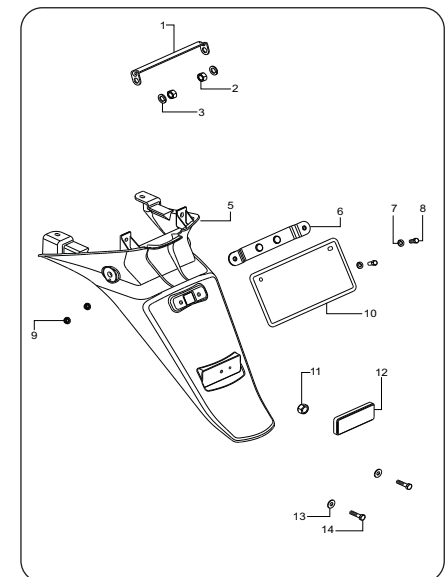
FRONT FORK ASSEMBLY
FIG. NO. 21 on PAGE NO. 26



SWINGARM ASSY DRUM
FIG. NO. 22 on PAGE NO. 27

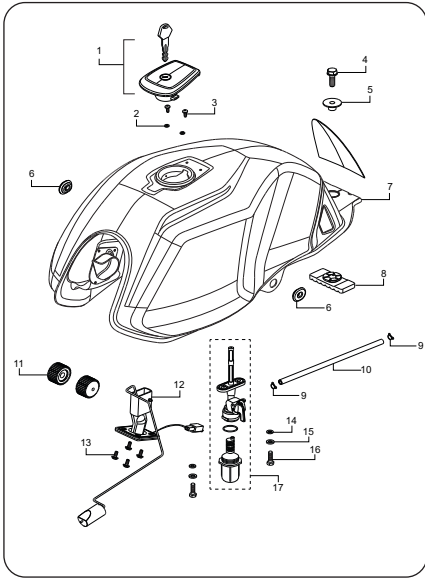


DISC BRAKE ASSEMBLY FRONT
FIG. NO. 23 on PAGE NO. 28

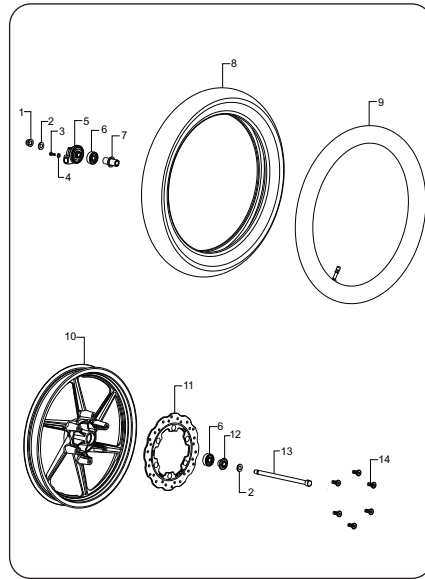


REAR FENDER ASSEMBLY
FIG. NO. 24 on PAGE NO. 30

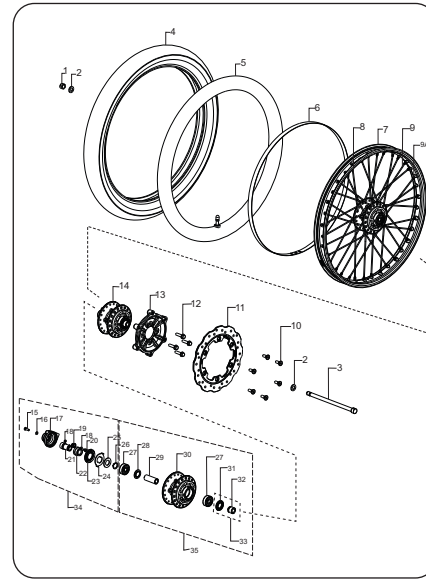
CHAPTER INDEX



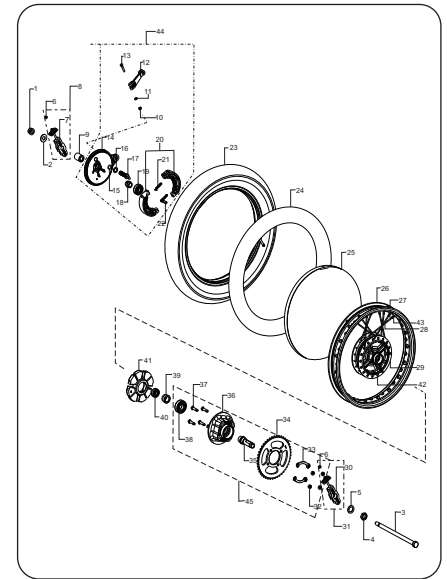
FUEL TANK ASSEMBLY
FIG. NO. 25 on PAGE NO. 31



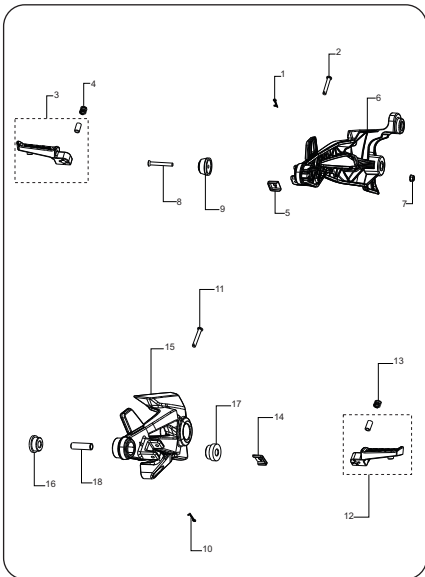
FRONT WHEEL ASSEMBLY
FIG. NO. 26 on PAGE NO. 32



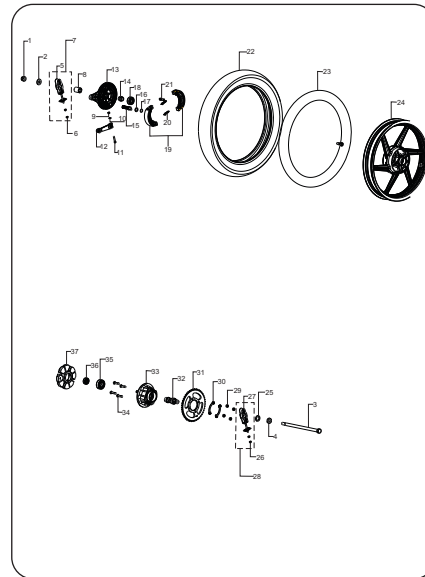
FRONT WHEEL ASSEMBLY
FIG. NO. 27 on PAGE NO. 33



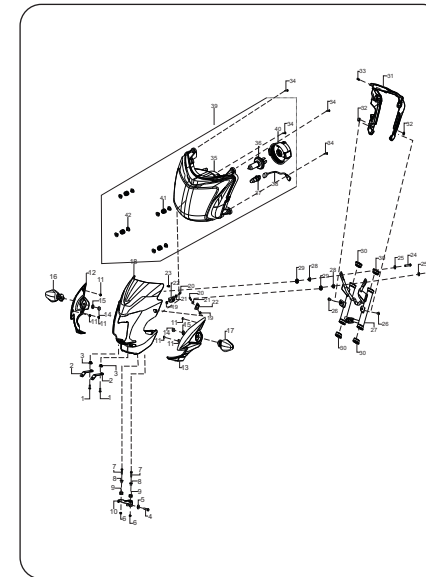
REAR WHEEL ASSEMBLY
FIG. NO. 28 on PAGE NO. 35



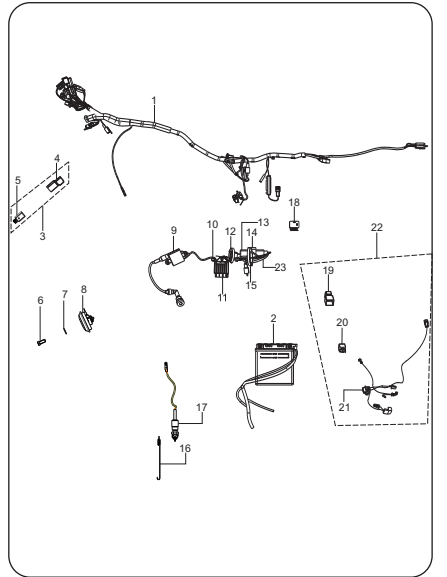
PILLION FOOTREST ASSEMBLY LH & RH
FIG. NO. 29 on PAGE NO. 37



REAR WHEEL ASSEMBLY
FIG. NO. 30 on PAGE NO. 38

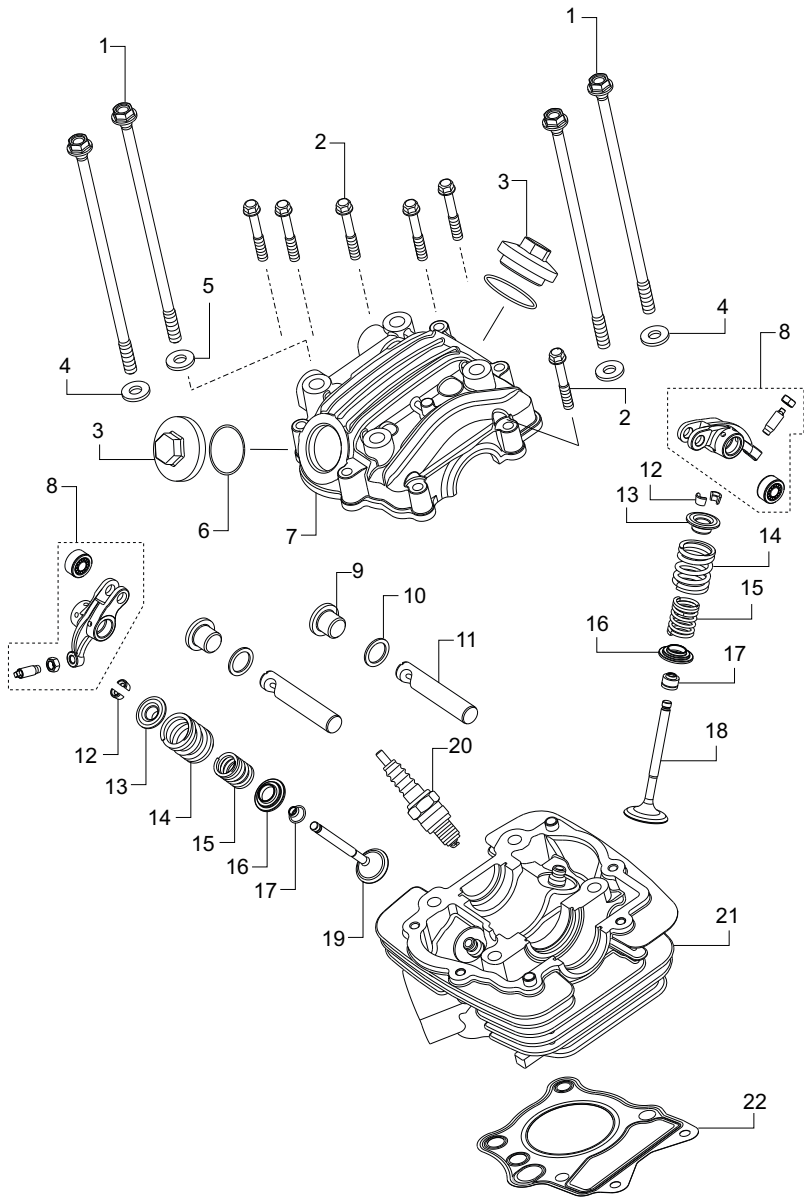


HEAD LAMP ASSEMBLY
FIG. NO. 31 on PAGE NO. 40



GA ELECTRICAL
FIG. NO. 32 on PAGE NO. 42

CYLINDER HEAD ASSEMBLY

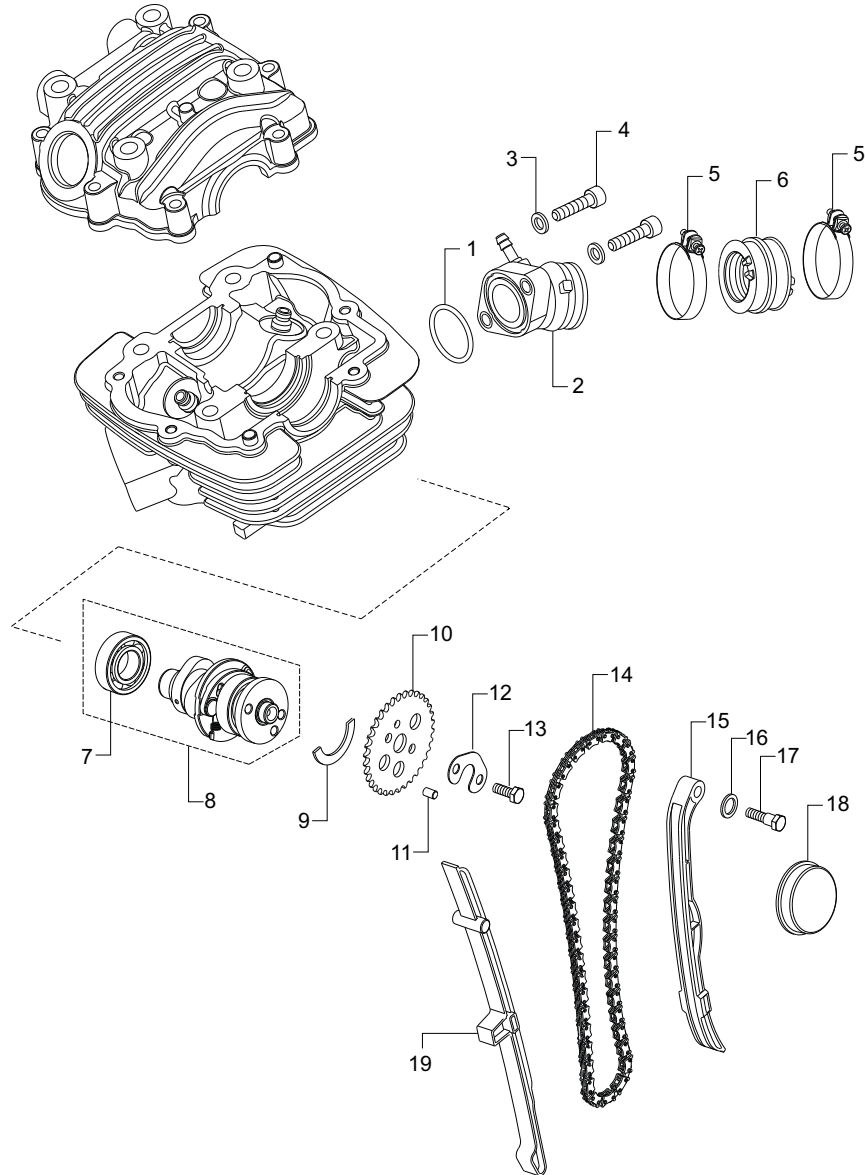


CYLINDER HEAD ASSEMBLY

FIG. NO. 01

REF. NO.	PART NO.	DESCRIPTION	QTY	REMARKS
1	N8010310	BOLT CYLINDER HEAD	4	
2	M1200500	HEX FLANGE BOLT M6x40	6	
3	R10110105D	CAP INSPECTION	2	
4	S1010130	WASHER CYLINDER HEAD	3	
5	M1010360	GASKET CYLINDER HEAD NUT	1	
6	R1200490	O RING 29.5x3	2	
7	N5010910	COVER CYLINDER HEAD COMP	1	
8	R1011000	ARM COMP. VALVE ROCKER	2	
9	M1010540	PLUG ROCKER ARM SHAFT	2	
10	M1080520	WASHER ROCKER SHAFT	2	
11	R1010850	SHAFT ROCKER ARM	2	
12	S1010320	COTTER VALVE	4	
13	N2011040	RETAINER VALVE SPRING	2	
14	M1010580	VALVE SPRING OUTER	2	
15	N3011280	VALVE SPRING INNER	2	
16	M1010610	SEAT VALVE SPRING	2	
17	M1010620	SEAL VALVE STEM	2	
18	M1010550	VALVE INTAKE	1	
19	N5010940	VALVE OUTLET	1	
20	N3011780	SPARK PLUG	1	
21	N5010890	HEAD COMP CYLINDER	1	
22	R3010100	GASKET CYLINDER HEAD	1	
23	N5010870	CYLINDER HEAD ASSY.	1	

CAMSHAFT ASSEMBLY

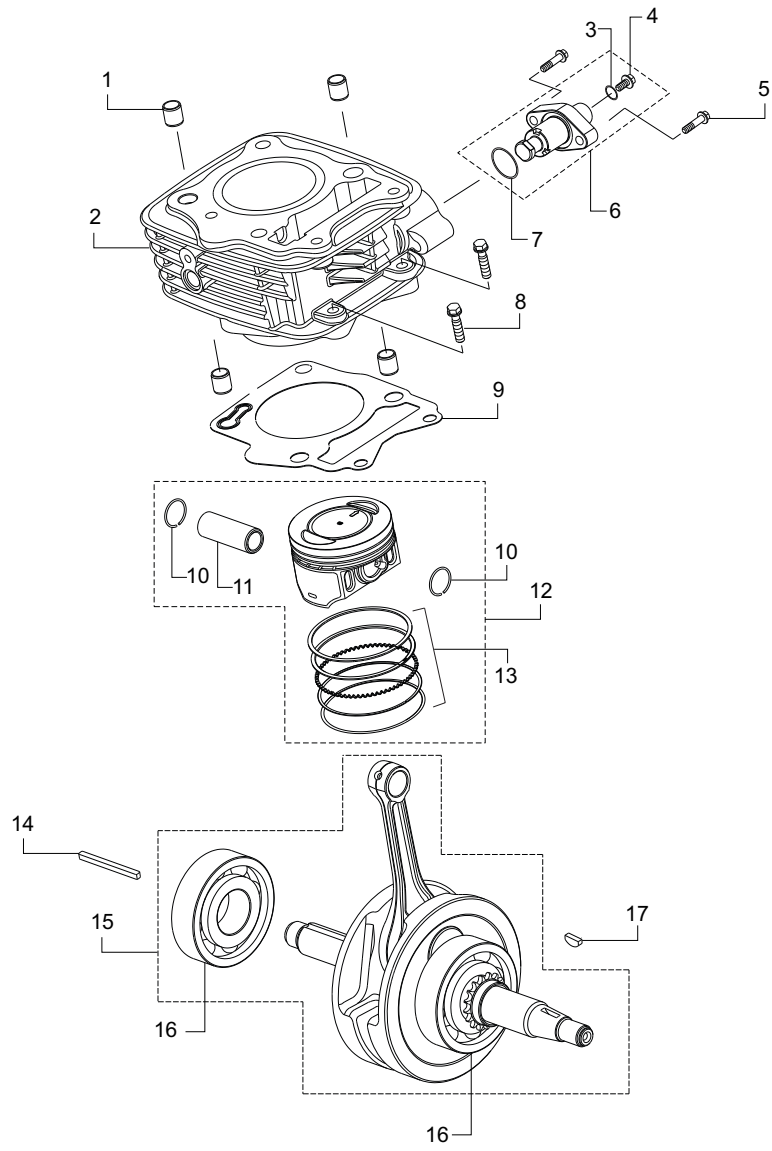


CAMSHAFT ASSEMBLY

FIG. NO. 02

REF. NO.	PART NO.	DESCRIPTION	QTY	REMARKS
1	N5040700CN	O RING 27 10 2.10	1	
2	N5040800	PIPE INTAKE COMP	1	
3	8200130	PUNCHED WASHER 6.5x11x1.6	2	
4	A200050	HEX SOC HD CAP SCR M6x25	2	
5	M1040140	CLAMP INTAKE PIPE	2	
6	N3040980	ADAPTOR CARBURETTOR	1	
7	N5010860	CAMSHAFT COMP.	1	
8	R1200030	BALL BEARING 17x35x10	1	
9	M7010840	C RING CAMSHAFT	1	
10	R1010800	SPROCKET 34T CAMCHAIN DRIVEN	1	
11	M1010490	PIN SPROCKET KNOCK	1	
12	M1080500	WASHER SPROCKET	1	
13	420452700	HEX SCREW M6x12	1	
14	U6010390	CAMCHAIN (SILENT CHAIN)	1	
15	R1010790CN	TENSIONER CAMCHAIN	1	
16	M1010360	GASKET CYL HEAD NUT	1	
17	R1010810	BOLT CAM CHAIN	1	
18	M7010910	PLUG CYLINDER HEAD	1	
19	R1010780CN	GUIDE CAMCHAIN	1	

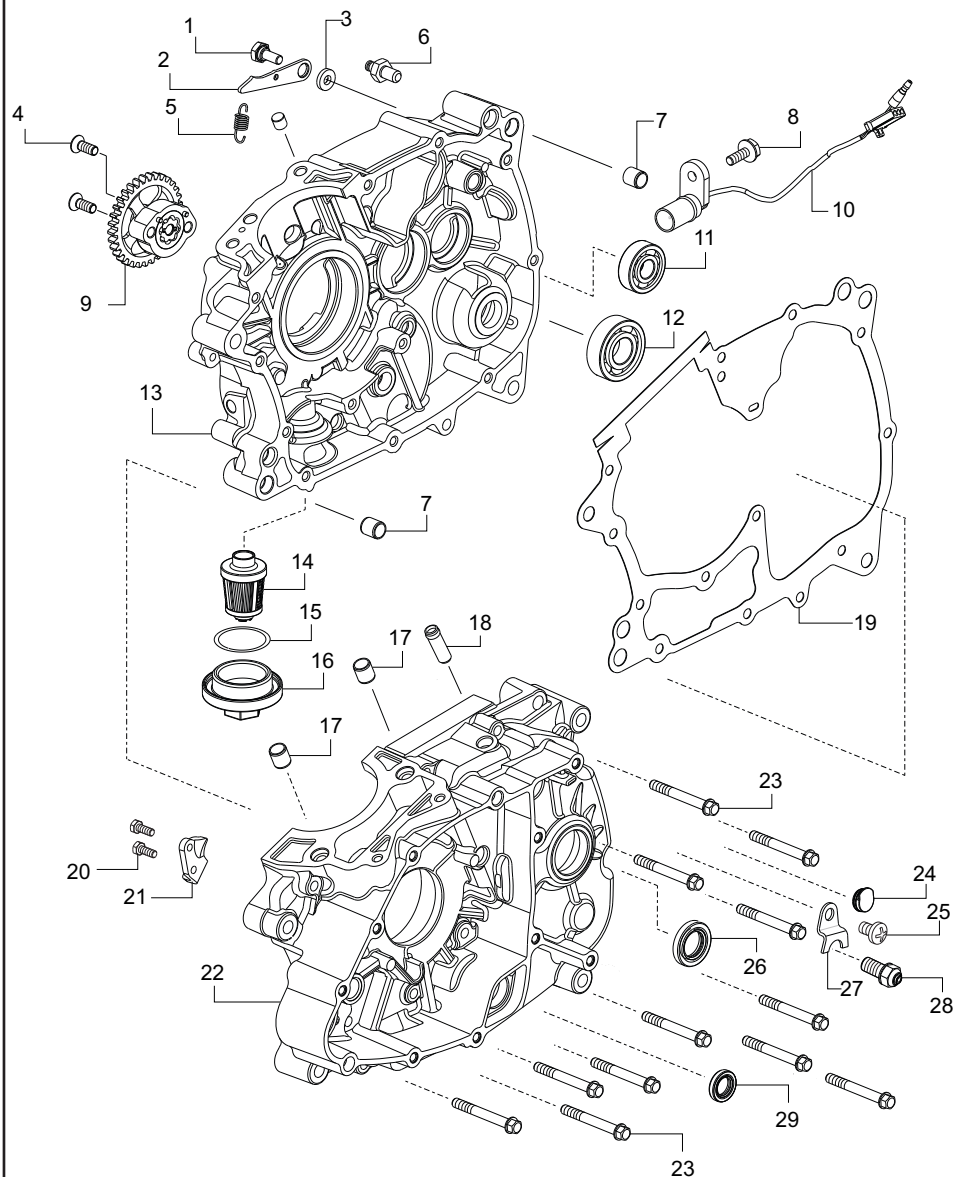
CYLINDER BLOCK & CRANK SHAFT ASSEMBLY



CYLINDER BLOCK & CRANK SHAFT ASSEMBLY FIG. NO. 03

REF. NO.	PART NO.	DESCRIPTION	QTY	REMARKS
1	S1200270	TUBULAR DOWEL	4	
2	N5010810	CYLINDER COMP.	1	
3	R1321210	O RING ADJUSTER	1	
4	R1321200	CAP ADJUSTER TENSIONER	1	
5	M1200610	HEX SCREW M6x20	2	
6	M7011370	ADJUSTER ASSY.	1	
7	R1321190	O RING ADJUSTER TENSIONER	1	
8	M1200510	HEX SCREW M6x25	4	
9	N5010820CN	GASKET CYLINDER BASE	1	
10	N2200340	CIRCLIP PIN PISTON	2	
11	N2010690	PISTON PIN	1	
12	R3020160	PISTON KIT STD	1	
13	N5322160	RING SET PISTON STD	1	
14	N4080290	PARALLEL KEY	1	
15	N8020190	CRANKSHAFT COMP	1	
16	R1200120	BALL BEARING 25x62x17	2	
17	420702000	WOODREFF KEY	1	
18	N5180120	ENGINE ASSY. ES	1	
19	N5322130	CYLINDER BLOCK & PISTON KIT	1	

CRANKCASE LH , RH & OIL PUMP ASSY

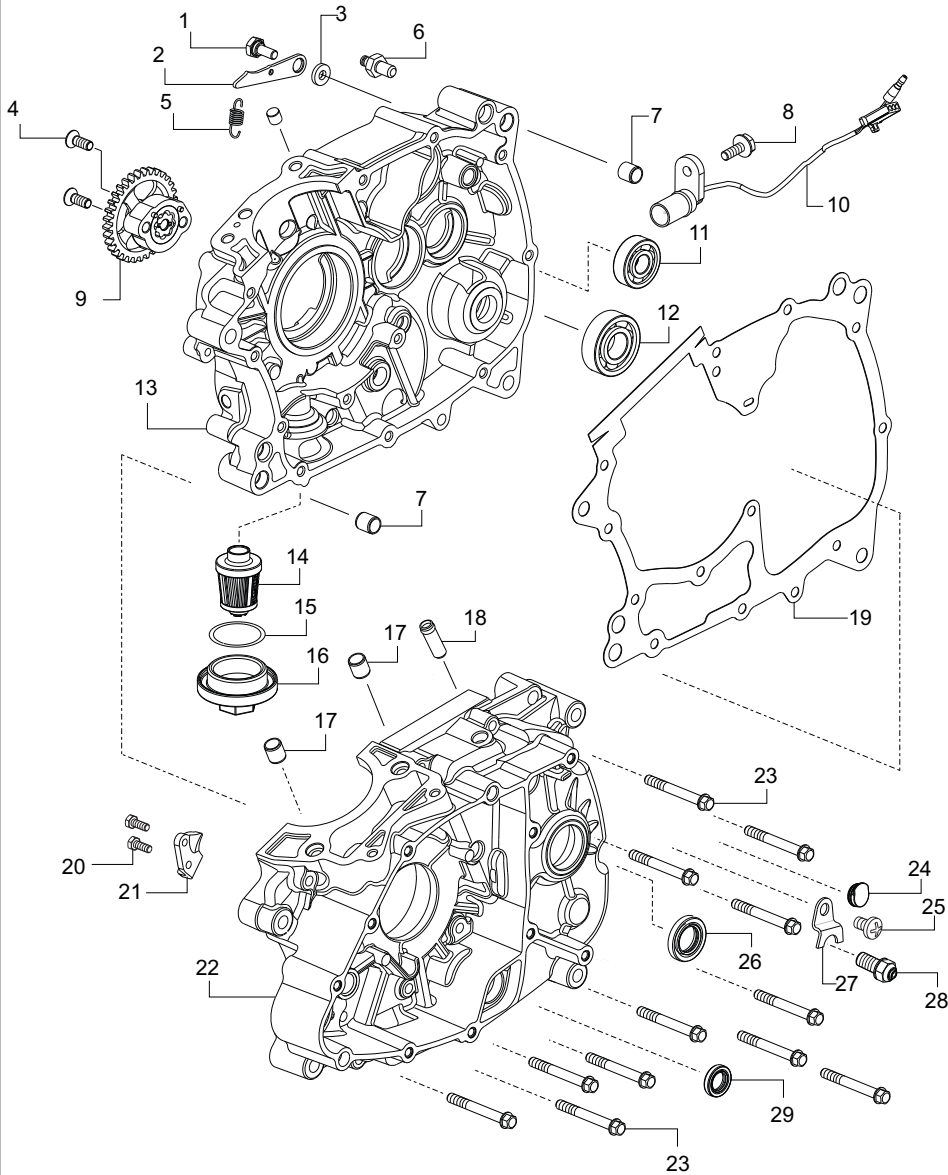


CRANKCASE LH, RH & OIL PUMP ASSY

FIG. NO. 04

REF. NO.	PART NO.	DESCRIPTION	QTY	REMARKS
1	0331320	BOLT GEAR SHIFT CAM STOPPER	1	
2	N5080910	STOPPER GEAR SHIFT CAM	1	
3	8200300	WASHER	1	
4	0332228	REC CSK HD SCREW M6x16	2	
5	N5080930	SPRING GEAR SHIFT CAM STOPPER	1	
6	N5080920	HOOK SPRING GEAR SHIFT CAM STOPPER	1	
7	074010	DOWEL PIN	2	
8	M1200520	HEX FLANGE BOLTM6x16	1	
9	N4080280	OIL PUMP ASSY.	1	
10	N5060410	SPEED SENSOR	1	
11	420602000	BALL BEARING 12x32x10	1	
12	N2200150	BALL BEARING 17x46x12	1	
13	N5030350	CRANKCASE COMP RH	1	
14	N3080290	OIL FILTER	1	
15	R1200490	O RING	1	
16	R1011010	CAP INSPECTION HOLE	1	
17	S1200270	TUBULAR DOWEL	1	
18	N2080920	PIPE BREATHER	1	
19	R3030080CN	GASKET CRANKCASE	1	
20	420462700	HEX SCREW M6x20	2	
21	N5081320	LIFTER RACHET	1	
22	N5322210	CRANKCASE COMP LH KIT	1	
23	N2200450	HEX FLANGE BOLTM6x15	12	
24	N8080410	DUST COVER GEAR SHIFT CAM	1	
25	0332028	CRPH SCREW M5x8	1	

CRANKCASE LH , RH & OIL PUMP ASSY

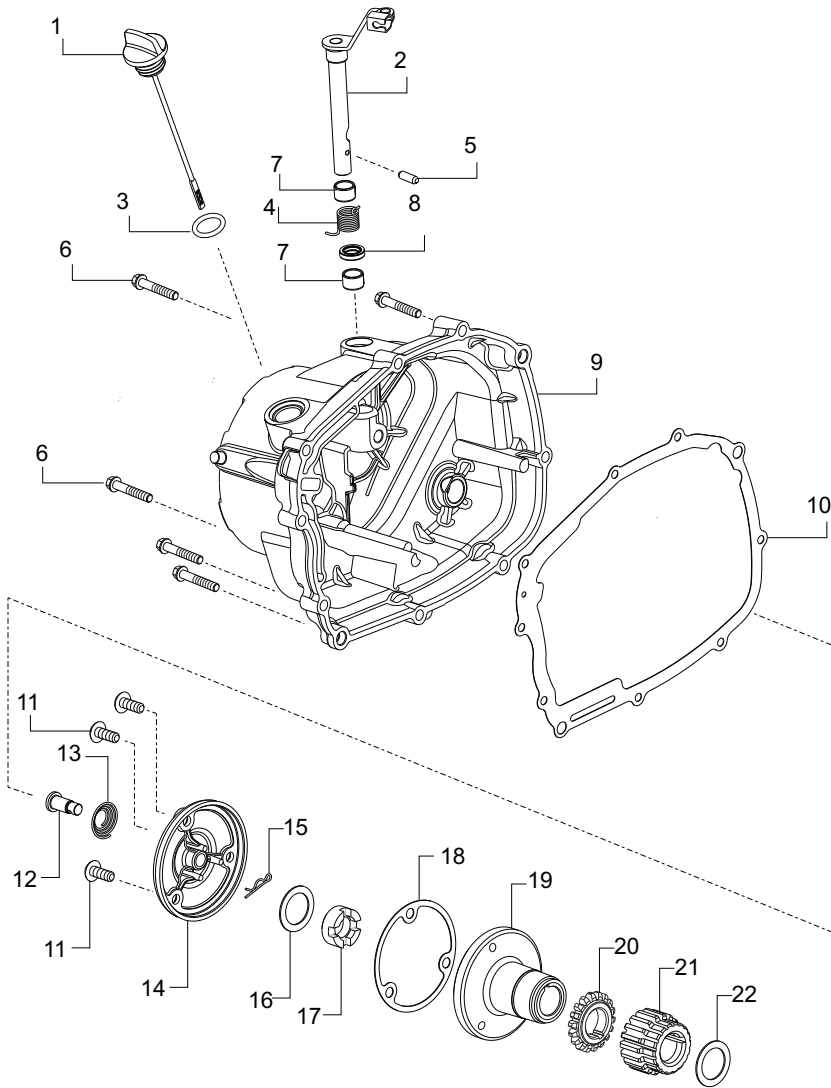


CRANKCASE LH, RH & OIL PUMP ASSY

FIG. NO. 04

REF. NO.	PART NO.	DESCRIPTION	QTY	REMARKS
26	T4080540	OIL SEAL	1	
27	N8060010	CLAMP GEARSHIFT SWITCH	1	
28	N8060340	NEUTRAL SWITCH	1	
29	N2081720	OIL SEAL GEARSHIFT SHAFT	1	

COVER CLUTCH ASSEMBLY

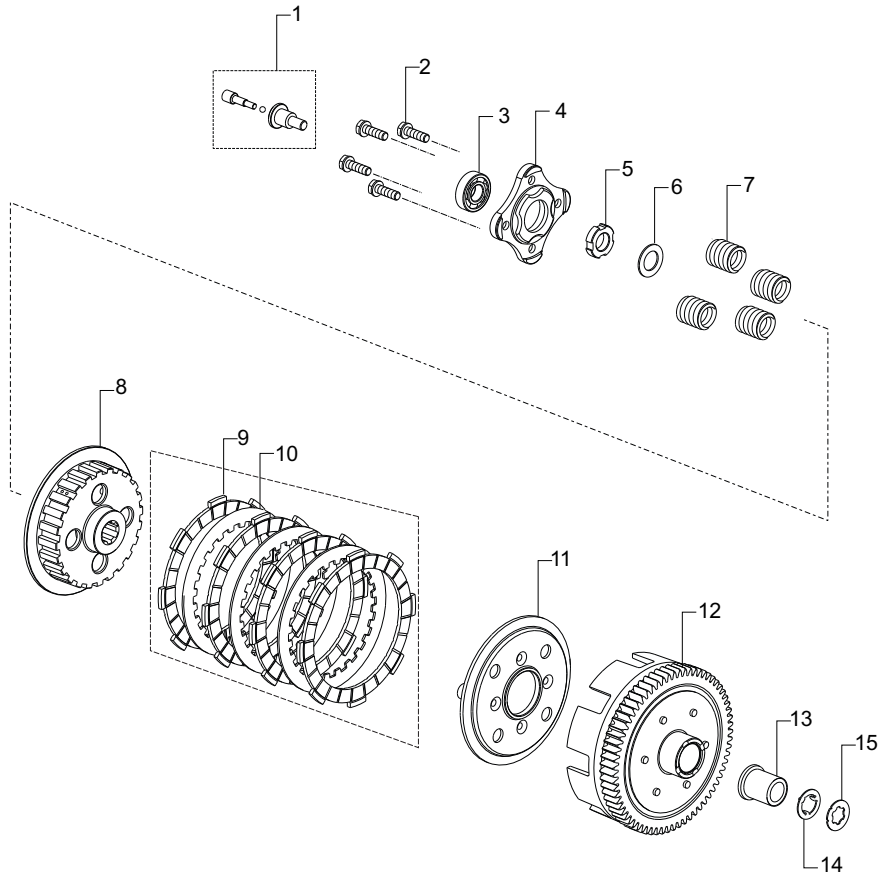


COVER CLUTCH ASSEMBLY

FIG. NO. 05

REF. NO.	PART NO.	DESCRIPTION	QTY	REMARKS
1	N1080110	GAUGE OIL LEVEL	1	
2	N5070350	ROD CLUTCH RELEASE COMP.	1	
3	S1200860	O RING	1	
4	M7070380	SPRING CLUTCH CABLE RELEASE	1	
5	M7200500	SPRING DOWEL	1	
6	N5200170	HEX FLANGE BOLT M6x35	10	
7	M7200510	BEARING BUSH 12x15x10	2	
8	M7200490	OIL SEAL 12x18x4	1	
9	N3030420	COVER CLUTCH TITAN GREY	1	
10	N4030360CN	GASKET CLUTCH COVER	1	
11	0332228	CRR CSK HD SCREW M6x16	3	
12	N5081240	PIPE CENTRIFUGAL FILTER	1	
13	N5081230	SPRING CENTRIFUGAL FILTER	1	
14	N5081200	COVER CENTRIFUGAL FILTER	1	
15	N5081250	CLIP DIA 7	1	
16	N5070110	DISC SPRING	1	
17	N5200710	NUT CENTRIFUGAL FILTER	1	
18	N5081220	GASKET CENTRIFUGAL FILTER	1	
19	N5081170	BODY CENTRIFUGAL FILTER	1	
20	N4080220	GEAR OIL PUMP DRIVE	1	
21	N4080300	GEAR PRIMARY DRIVE	1	
22	N5081430	SPACER PRIMARY DRIVE	1	

CLUTCH ASSEMBLY

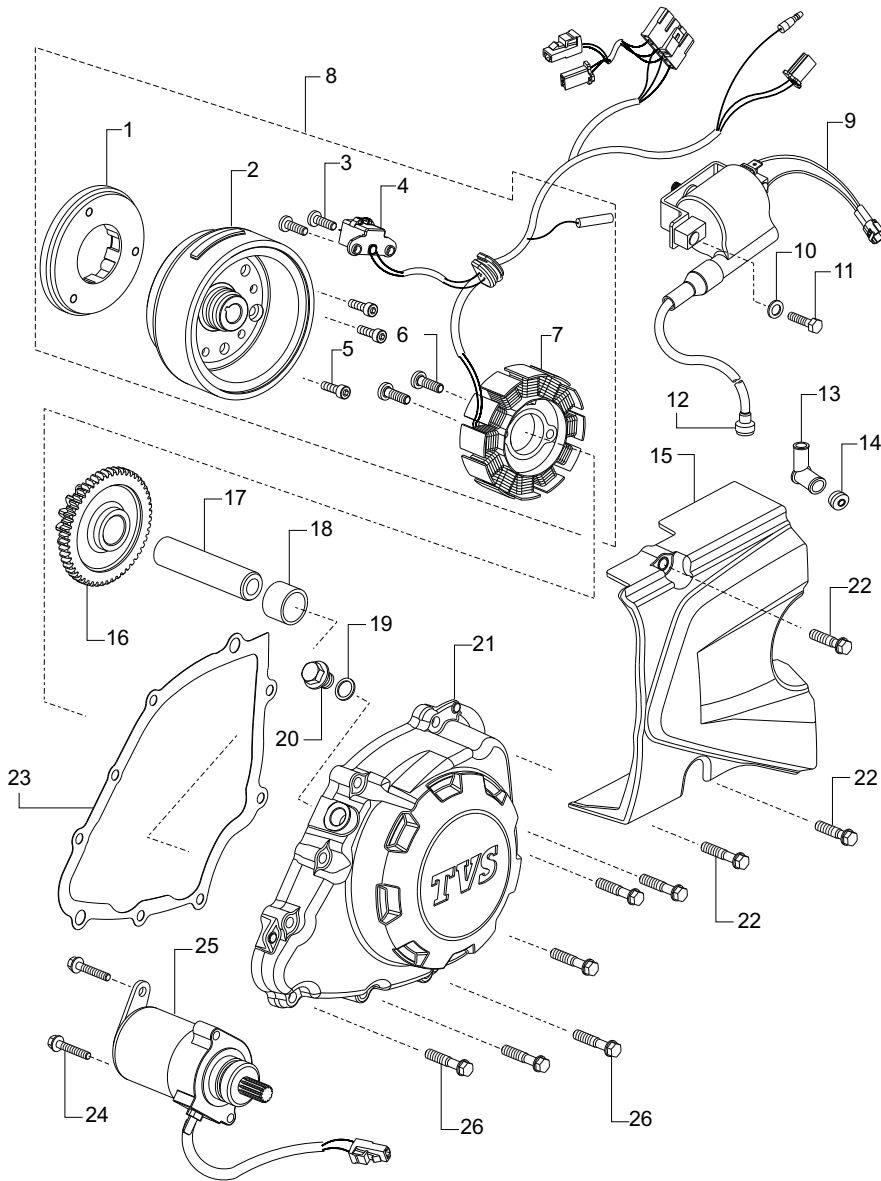


CLUTCH ASSEMBLY

FIG. NO. 06

REF. NO.	PART NO.	DESCRIPTION	QTY	REMARKS
1	N5070240	PIN ASSY. CLUTCH RELEASE	1	
2	N2200500	HEX FL. BOLT M6x20	4	
3	N2200400	BALL BEARING 12x28x8	1	
4	N5070410	PLATE CLUTCH RELEASE	1	
5	N4200040	NUT CLUTCH SHAFT	1	
6	N5070110	SPRING DISC	1	
7	N5070400	SPRING CLUTCH	4	
8	N5070360	HUB CLUTCH	1	
9	N5070380	PLATE CLUTCH DRIVE	4	
10	N5070370	PLATE CLUTCH DRIVEN (METAL)	3	
11	N5070390	DISC CLUTCH PRESSURE	1	
12	N4070200	GEAR ASSY. PRIMARY DRIVEN	1	
13	N6070010	SPACER CLUTCH	1	
14	N8081130	LOCK PLATE	1	
15	N4080430	WASHER PRIMARY	1	

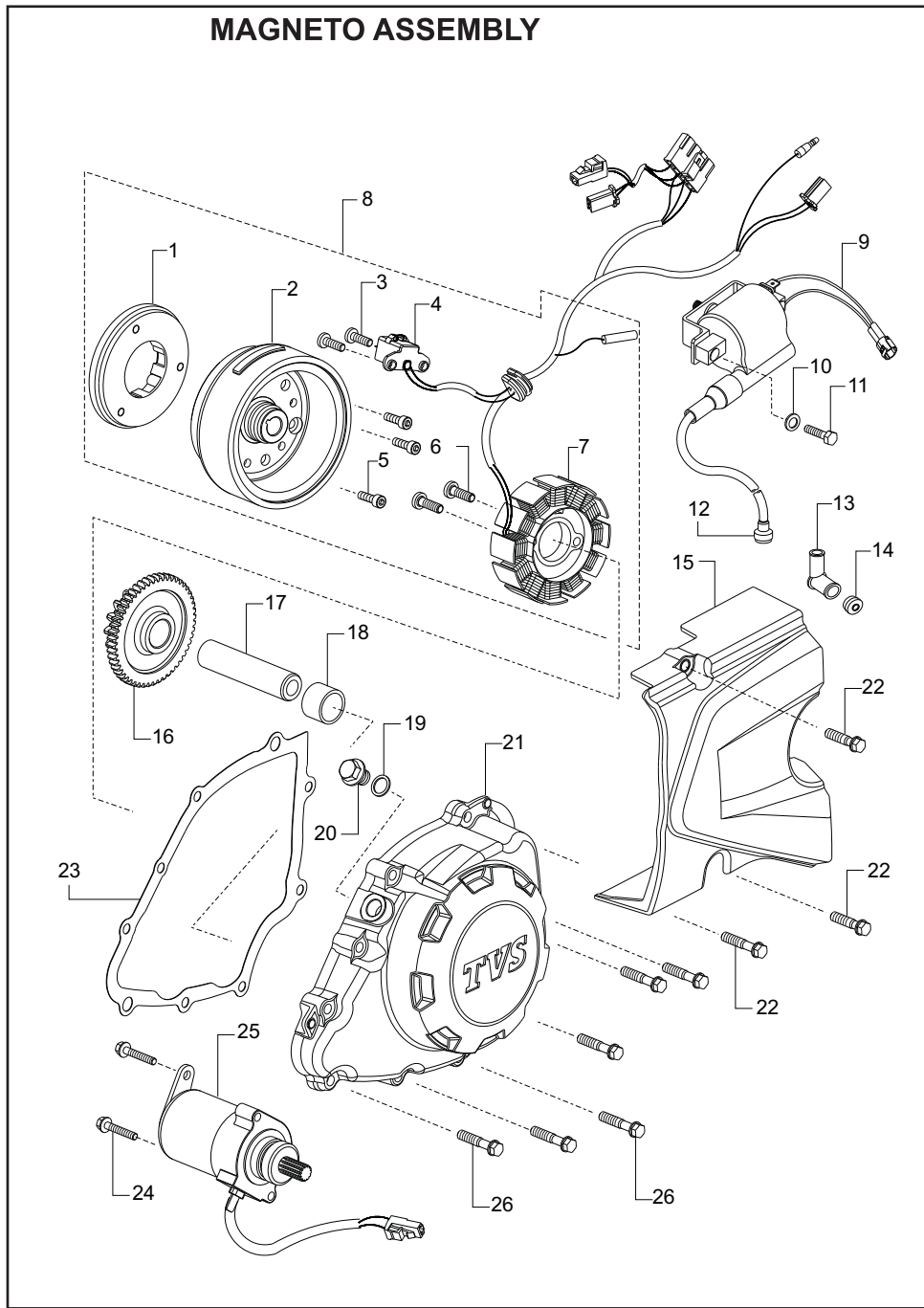
MAGNETO ASSEMBLY



MAGNETO ASSEMBLY

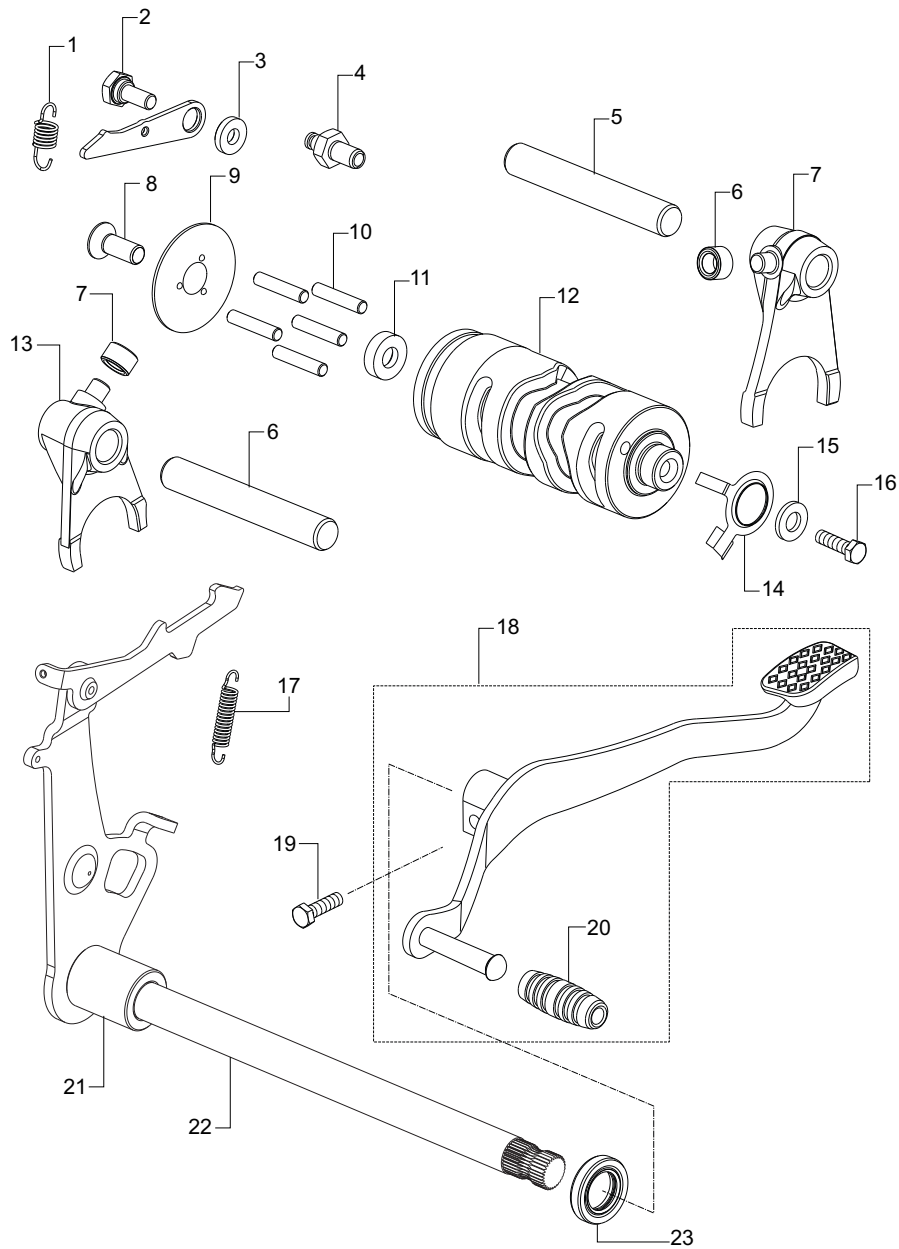
FIG. NO. 07

REF. NO.	PART NO.	DESCRIPTION	QTY	REMARKS
1	R1060110	ONE WAY CLUTCH	1	
2	N5321830	ROTOR ASSY.	1	
3	M1200660	SCREW PULSAR COIL	2	
4	---	PULSAR COIL	1	
5	M1200790	HEX SOC HD CAP SCR M6x16	3	
6	M1200820	CRR PAN HEAD SCREW	2	
7	N5321840	STATOR ASSY.	1	
8	N3060340	MAGNETO ASSY.	1	
9	N3060370	IGNITION COIL ASSY.	1	
10	420462700	HEX SCREW M6x20	2	
11	0335608	PUNCHED WASHER 6.5x16x1.2	2	
12	R1060200	SEAL HIGH TENSION CORD	1	
13	N3060150	SUPPRESSOR CAP ASSY.	1	
14	M1060110	SEAL SPARK PLUG	1	
15	N5081420CN	COVER ENGINE SPROCKET	1	
16	R1080550	GEAR STARTER IDLER	1	
17	M1080430	PIN STARTER IDLER	1	
18	M1080490	SPACER STARTER IDLER GEAR	1	
19	M1080420	GASKET OIL GALLERY PLUG	1	
20	N2081680	HEX FLANGE BOLT M16x12	1	
21	N4030890	COVER MAGNETO	1	
22	M1200510	HEX FLANGE BOLT M6x25	2	
23	N3030460	GASKET MAGNETO COVER	1	
24	M1200520	HEX FLANGE BOLT M6x16	2	
25	N4060080	STATOR MOTOR	1	



MAGNETO ASSEMBLY				FIG. NO. 07
REF. NO.	PART NO.	DESCRIPTION	QTY	REMARKS
26	M1200470	HEX FLANGE BOLT M6x30	9	

GEAR SHIFT ASSEMBLY

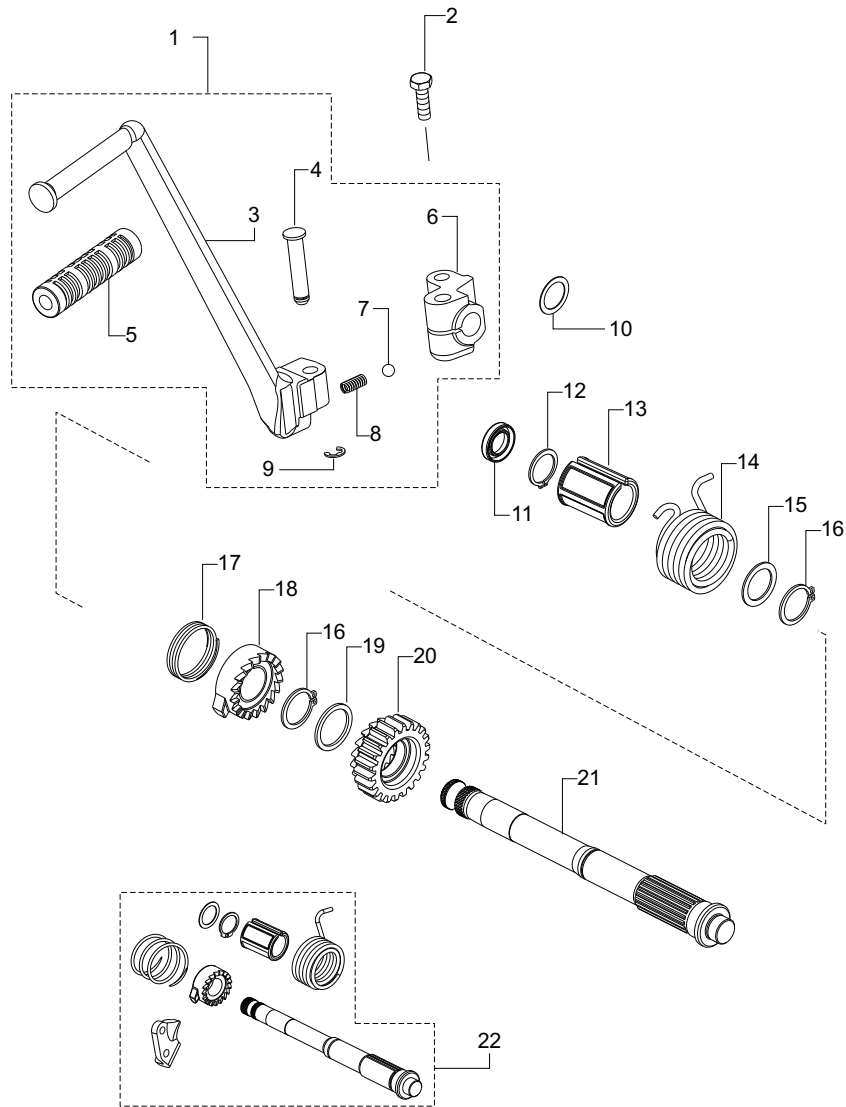


GEAR SHIFT ASSEMBLY

FIG. NO. 08

REF. NO.	PART NO.	DESCRIPTION	QTY	REMARKS
1	N5080930	SPRING GEAR SHIFT CAM	1	
2	0331320	BOLT GEAR SHIFT CAM STOPPER	1	
3	8200300	WASHER	1	
4	N5080910	STOPPER GEAR SHIFT CAM	1	
5	N5080920	HOOK SPRING CAP STOPPER	2	
6	N2081570	SPACER ROLLER GEAR SHIFT FORK PIN	2	
7	N5080280	FORK GEAR SHIFT LOW SPEED	1	
8	0332228	CRR CSK HEAD SCREW M6x16	1	
9	3040013	RETAINER GS CAM COMP.	1	
10	3044034	ROLLER CAM DRIVE	1	
11	3044140	COLLAR GEAR SHIFT CAMDRIVE PIN	1	
12	N5081010	CAM GEAR SHIFT	1	
13	N5080290	FORK GEAR SHIFT HIGH SPEED	1	
14	N5080940	CONTACT GEAR SHIFT SWITCH	1	
15	N5080940	PUNCHED WASHER 6.2x17x1.2	1	
16	420452700	HEX SCREW M6x12	1	
17	N2080500	SPRING GEAR SHIFT PAWL	1	
18	N4080250	LEVER ASSY GEAR SHIFT	1	
19	420462700	HEX SCREW M6x16	1	
20	N2081740	RUBBER GEAR SHIFT LEVER	1	
21	N2080970	SPACER SHIFT PAWL	1	
22	N8080530	SHAFT COMP GEAR SHIFT	1	
23	N2081720	OIL SEAL GEAR SHIFT SHAFT	1	

KICK STARTER ASSEMBLY

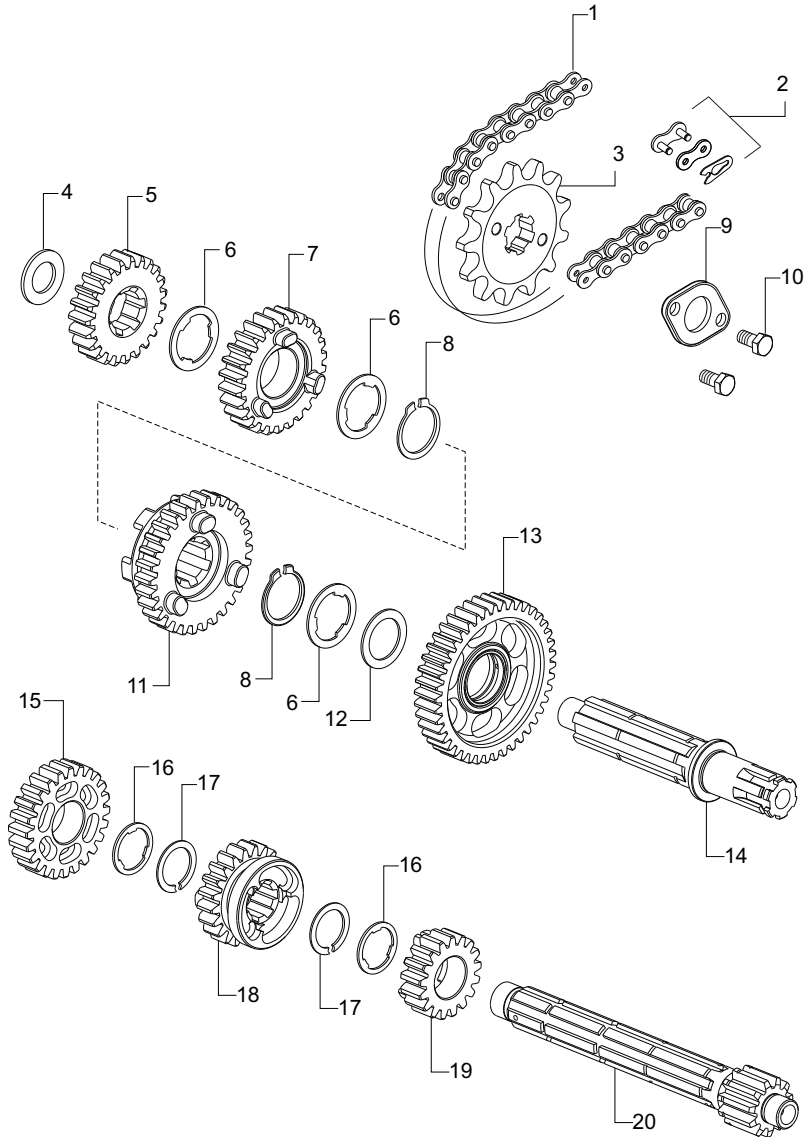


KICK STARTER ASSEMBLY

FIG. NO. 09

REF. NO.	PART NO.	DESCRIPTION	QTY	REMARKS
1	N1080090	LEVER ASSY. KICKSTARTER	1	
2	S1101250	HEX B M8x35	1	
3	N1080080	LEVER KICK STARTER	1	
4	N2081450	PIN KICK STARTER LEVER	1	
5	N2081470	RUBBER KICK STARTER LEVER	1	
6	N2081400	JOINT KICKSTARTER LEVER	1	
7	N2081440	BALL KICK STARTER LEVER	1	
8	N2081430	SPRING KICK STARTER LEVER	1	
9	N3200240	E RING	1	
10	K3200880	SHIM 17x24x0.5	1	
11	S1200490	OIL SEAL K.S. SHAFT	1	
12	0330164	CIRCLIP THIRD DRIVE GEAR NEW	1	
13	N5081280	GUIDE KICK STARTER SPRING NEW	1	
14	N5081370	SPRING KICK STARTER LEVER NEW	1	
15	0335024	SHIM 17x24x1	1	
16	0330174	CIRCLIP EXT. 20x1.2	2	
17	N5081360	SPRING K S RATCHET NEW	1	
18	N5081330	RATCHET KICK STARTER NEW	1	
19	N5200140	SHIM 20x25.5x1.5	1	
20	N5080810	GEAR KICK STARTER DRIVE 22T	1	
21	N4080140	SHAFT KICK STARTER	1	
22	---	SHAFT KICK STARTER ASSY. KIT	1	

TRANSMISSION ASSEMBLY

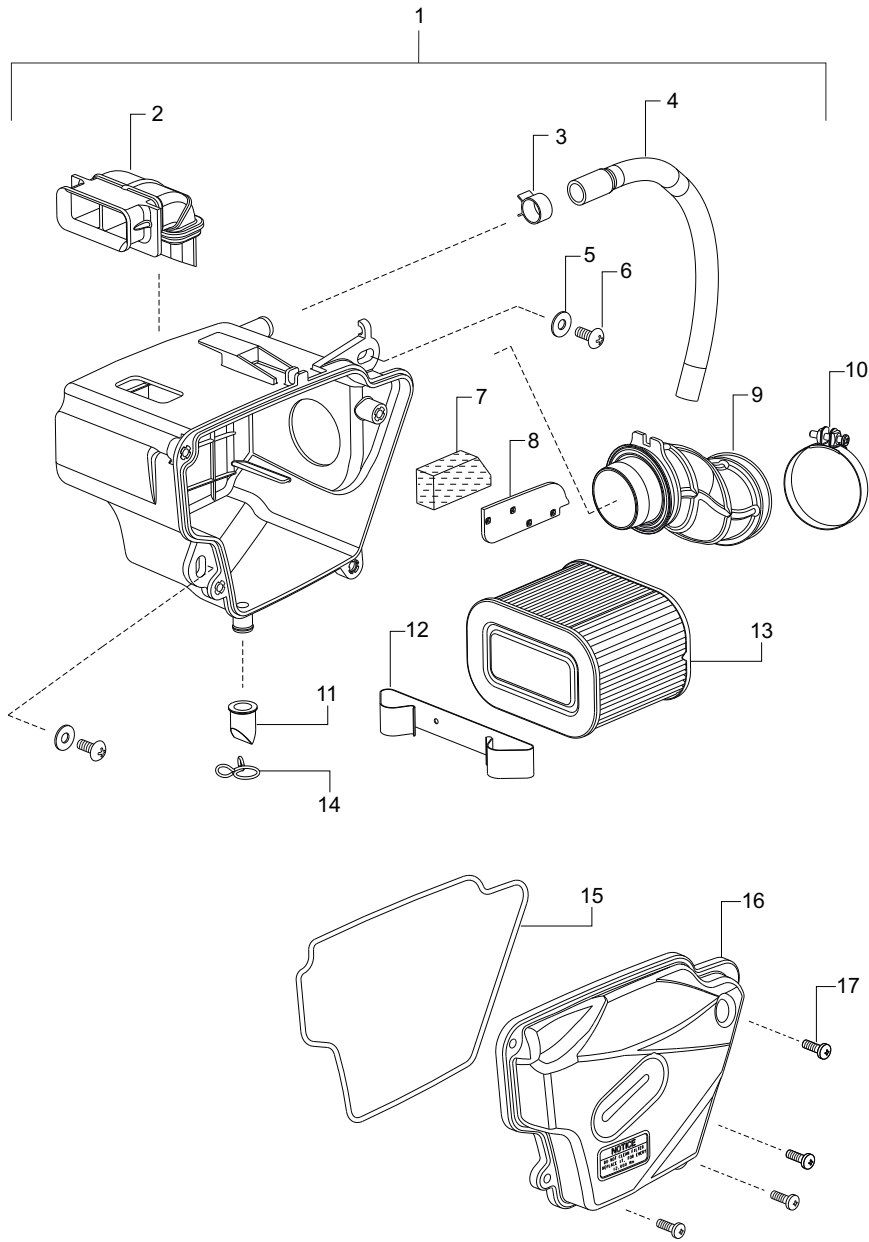


TRANSMISSION ASSEMBLY

FIG. NO. 10

REF. NO.	PART NO.	DESCRIPTION	QTY	REMARKS
1	N5111940	CHAIN ASSY. 116	1	
2	3257200	LINK SET CHAIN	1	
3	N3080040	SPROCKET ENGINE 13T	1	REFER PAGE NO:
4	N5200080	SHIM 12.7x22x1	1	
5	N5080170	GEAR 4TH DRIVE	1	
6	N2080330	SHIM	3	
7	N5080150	GEAR 3RD DRIVE	1	
8	0330174	CIRCLIP 2ND DRIVE GEAR	1	
9	N3080250	LOCK PLATE SPROCKET	1	
10	M1200940	HEX SCREW M5x10	2	
11	N8080810	GEAR SECOND DRIVEN	1	
12	0335024	SHIM 17x24x1.0	1	
13	N5080110	GEAR 1ST DRIVEN (36T)	1	
14	N5080100	SHAFT DRIVE	1	
15	N5080160	GEAR 4TH DRIVE (24T)	1	
16	N5200110	SHIM 17.1x12x1	1	
17	N5200130	CIRCLIP 17x1.2	2	
18	N5080140	GEAR 3RD DRIVE (21T)	1	
19	N8080800	GEAR 2ND DRIVE (17T)	1	
20	N8080560	SHAFT CLUTCH	1	

AIR CLEANER ASSEMBLY

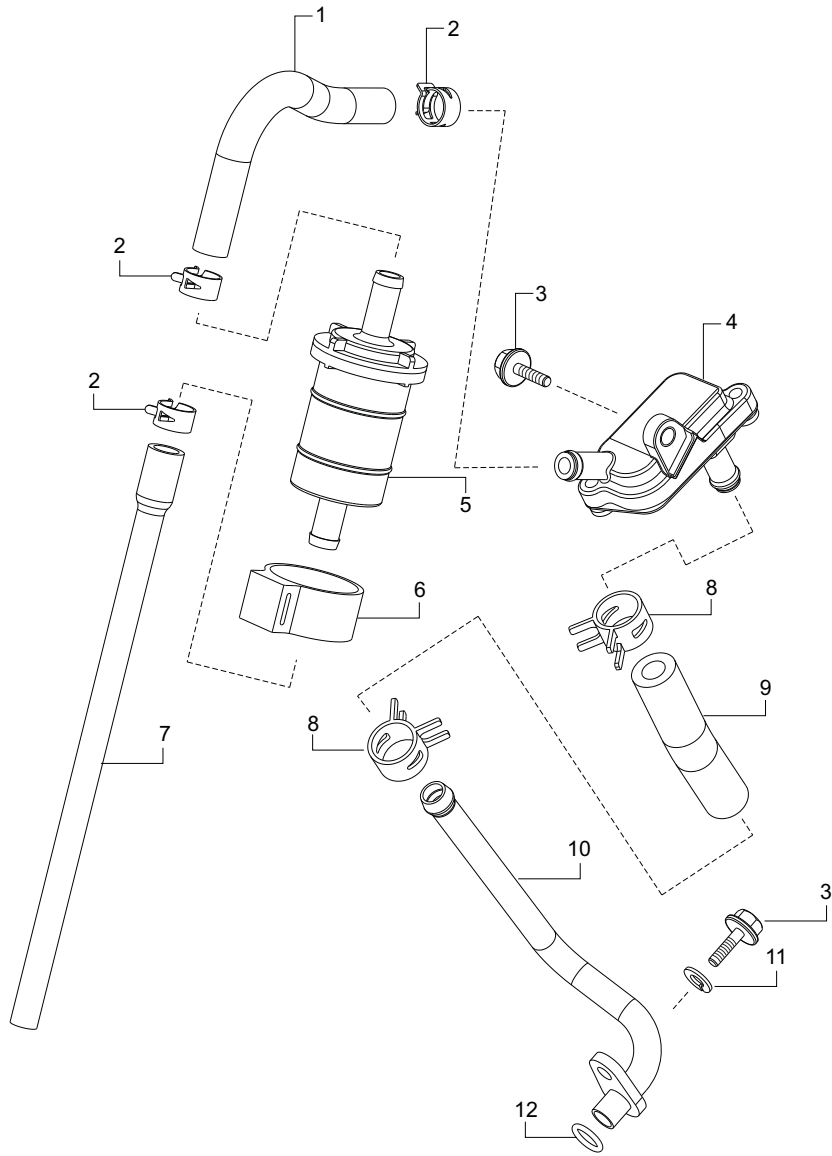


AIR CLEANER ASSEMBLY

FIG. NO. 11

REF. NO.	PART NO.	DESCRIPTION	QTY	REMARKS
1	N5040780	AIR CLEANER ASSY.	1	
2	N5040720	TUBE INLET	1	
3	K140820	HOSE CLIP	2	
4	N8041490	HOSE BREATHER PVC	1	
5	0335608	PUNCHED WASHER 6.x16x1	2	
6	0332275	CRR PAN HEAD SCREW 6.5x16x1.2	2	
7	---	FILTER - PCV	1	
8	N5040670	FILTER PLATE - PCV	1	
9	N5040790	TUBE OUTLET	1	
10	N2040490	HOSE CLIP DIA 55	1	
11	P6040110	DRAIN PIPE	1	
12	N2041690	CLAMP END CAP	1	
13	R3040130CN	FILTER COMP.	1	
14	R1140440	HOSE CLIP D13	2	
15	N5040680CN	SEAL AIR CLEANER	1	
16	N5040660CN	COVER AIR CLEANER	1	
17	M1200660	CRR PAN HEAD SCREW M5x16	4	

SECONDARY AIR INJECTION ASSY

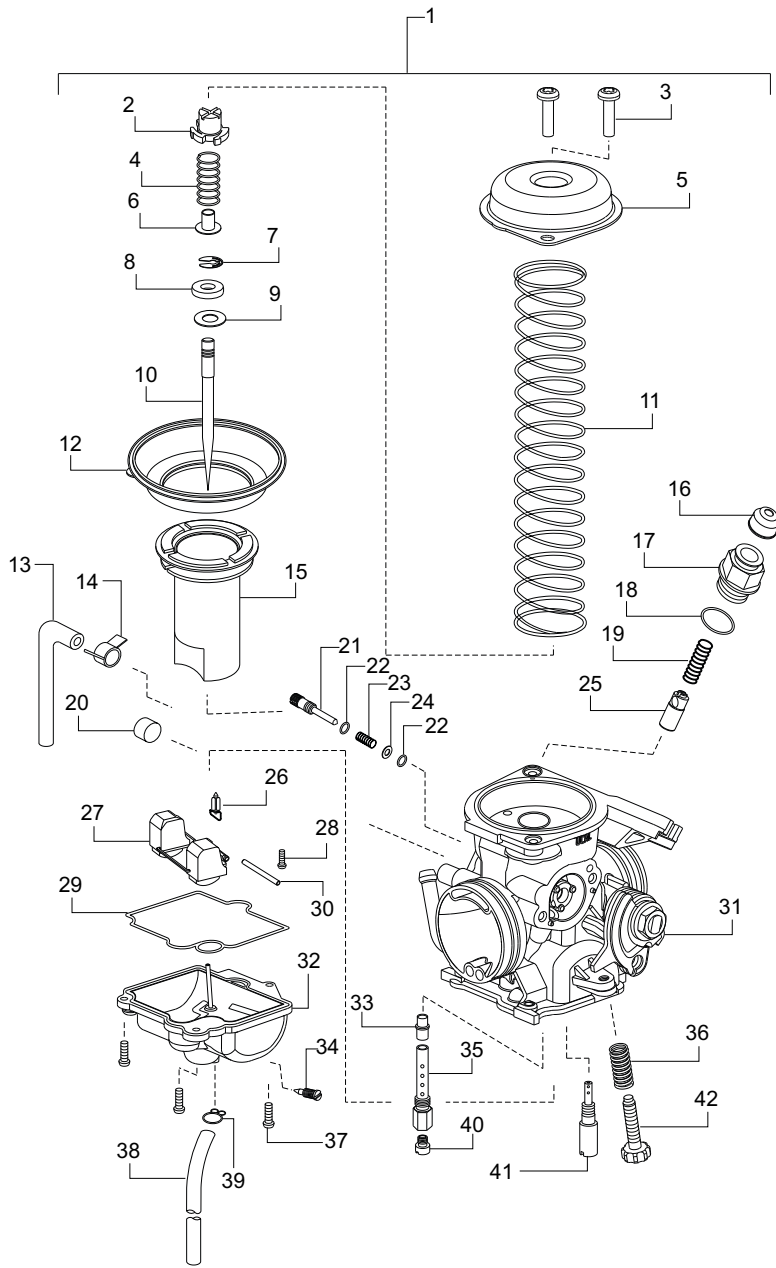


SECONDARY AIR INJECTION ASSY

FIG. NO. 12

REF. NO.	PART NO.	DESCRIPTION	QTY	REMARKS
1	P1040200	HOSE SAI INLET	1	
2	R2040400	HOSE CLIP DIA 12.5	3	
3	M1200520	HEX FLANGE BOLT M6x16	2	
4	P1040170	SAI VALVE ASSY.	1	
5	N9041670	AIR CLEANER SAI	1	
6	P1040220	BOOT SAI FILTER	1	
7	N5040650	HOSE AIR INLET	1	
8	N8040350	HOSE CLIP AIR INJECTION	2	
9	M7040060	HOSE AIR OUT LET	1	
10	N5040750CN	PIPE COMP. AIR INJECTION	1	
11	P1200050	WAVE SPRING WASHER M6 ZNG	1	
12	N8040340	O RING 1.9x10 AIR INJECTION	1	

CARBURETTOR ASSEMBLY

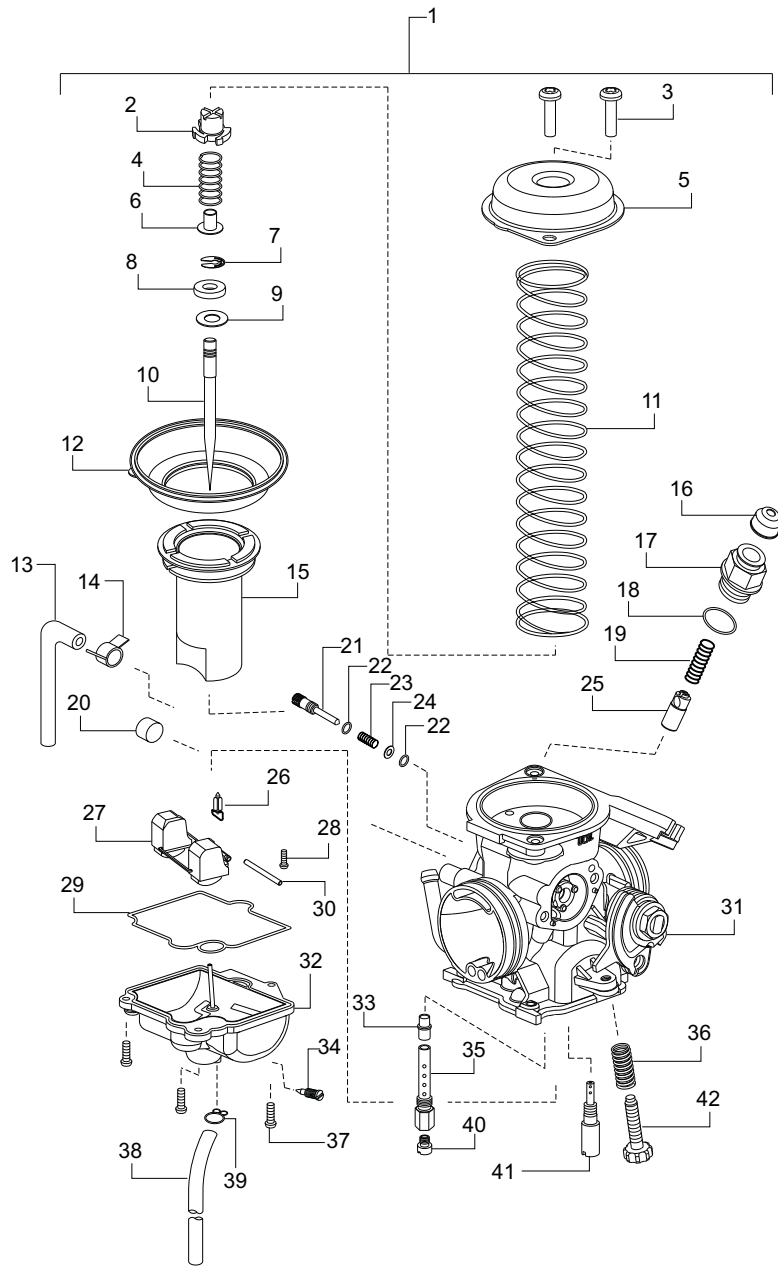


CARBURETTOR ASSEMBLY

FIG. NO. 13

REF. NO.	PART NO.	DESCRIPTION	QTY	REMARKS
1	N5040810	CARBURETTOR ASSY.	1	
2	N2321800	HOLDER	1	
3	M1040900	SCREW DIAPHRAGM COVER	1	
4	N5321810	SPRING	1	
5	N8321800	DIAPHRAGM COVER		
6	K6320870	JET NEEDLE RETAINER HOLDER	1	
7	N5321900	E RING	1	
8	N5322090	RING (JET NEEDLE)	1	
9	N5321820	WASHER	1	
10	N5321890	JET NEEDLE	1	
11	N5321800	SPRING PISTON	1	
12	N5321780	DIAPHRAGM	1	
13	N5321920	HOSE AIR VENT	1	
14	M7041030	CLIP AV	1	
15	N5321790	PISTON VALVE ASSEMBLY	1	
16	M1040570	CAP STARTER	1	
17	M1040390	GUIDE HOLDER STARTER	1	
18	M1040870	O RING	1	
19	N5321970	SPRING	1	
20	N5322060	PLUG TPS	1	
21	N5322050	ADJUSTER PILOT SCREW	1	
22	N5322080	O RING (PS)	2	
23	N5322020	SPRING	1	
24	M1040420	WASHER PS	1	
25	N5321930	PLUNGER ASSEMBLY	1	

CARBURETTOR ASSEMBLY

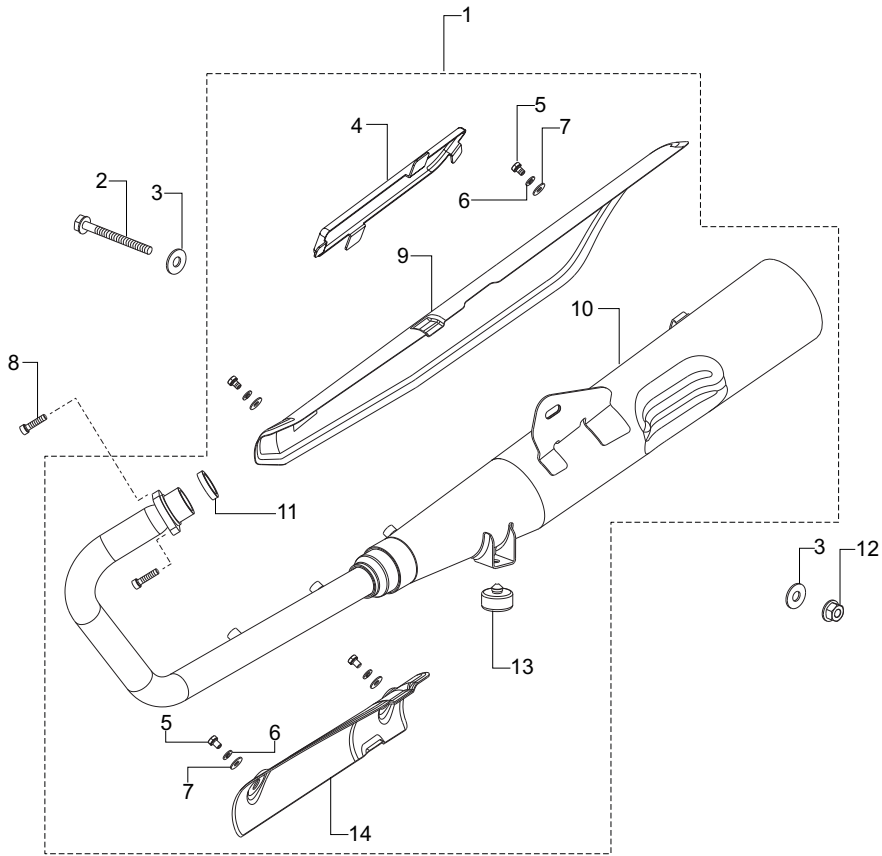


CARBURETTOR ASSEMBLY

FIG. NO. 13

REF. NO.	PART NO.	DESCRIPTION	QTY	REMARKS
26	M1040270	NEEDLE ASSY	1	
27	M1040340	FLOADT ASSY	1	
28	M1040280	SCREW	1	
29	N5322070	O RING	1	
30	M1040290	FLOAT PIN	1	
31	N5322040	THROTTLE LEVER ASSY. (WITHOUT BODY)	1	
32	N5321910	FLOAT BODY ASSEMBLY	1	
33	N5321870	NEEDLE JET	1	
34	N2320310	DRAIN SCREW	1	
35	N5321880	JET HOLDER	1	
36	N5321960	SPRING	1	
37	G4320290	SCREW	3	
38	N5322010	HOSE DRAIN	1	
39	N5322100	CLIP DRAIN	1	
40	M1040320	MAIN JET	1	
41	N9321230	PILOT JET	1	
42	M1040460	ADJUSTER SCREW	1	

MUFFLER ASSEMBLY

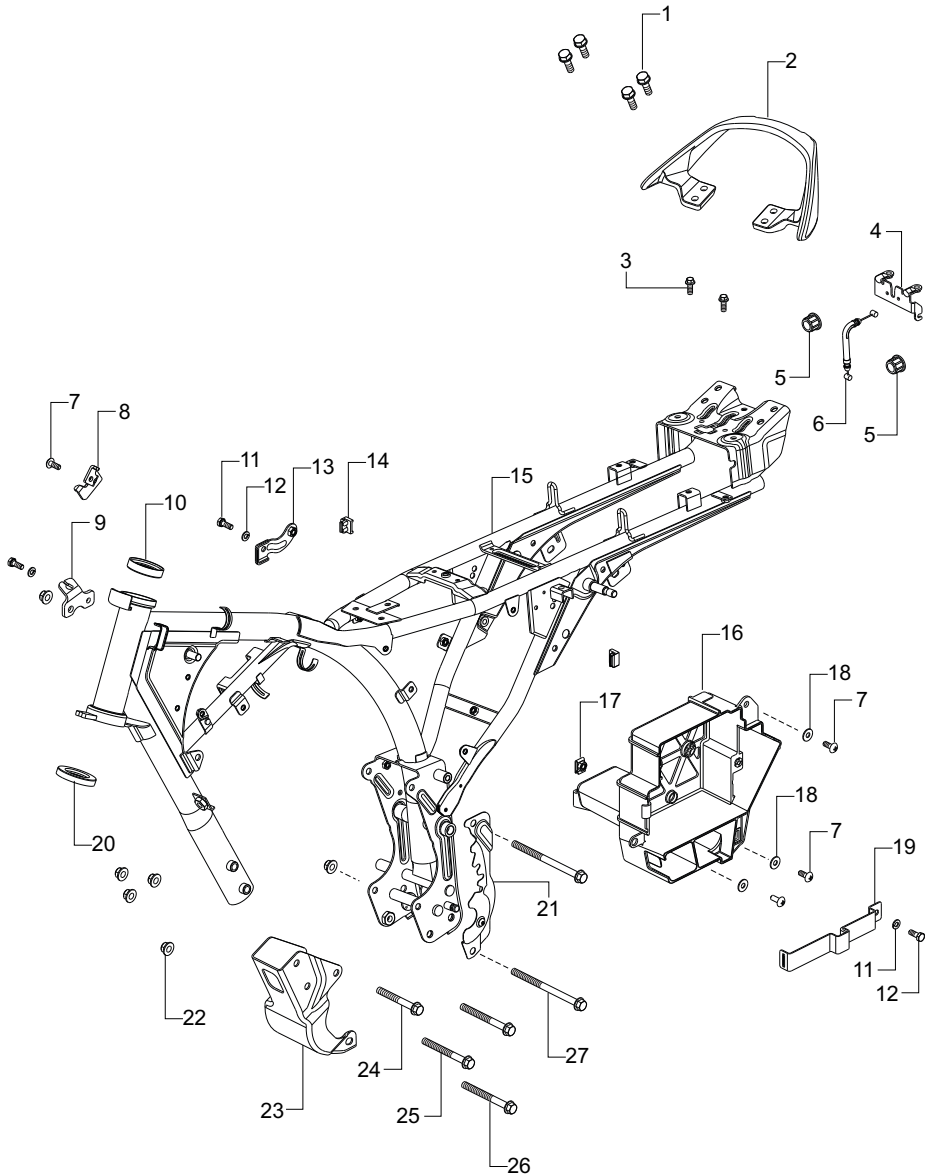


MUFFLER ASSEMBLY

FIG. NO. 14

REF. NO.	PART NO.	DESCRIPTION	QTY	REMARKS
1	N5050760	MUFFLER SUB ASSY.	1	
2	N8200040	HEX FLANGE BOLT M8x65	1	
3	G5200280	PUNCHED WASHER 8.5 x 25 x 2	2	
4	N5225350	ECO THRUST GUARD	1	
5	0331688	HEX SCREW M6x8	4	
6	P1200050	WAVE SPRING WASHER M6 ZNG	4	
7	0335608	PUNCHED WASHER 6.5x16	4	
8	A200050	HEX SOCKET CAP SCREW M6x25	2	
9	N5223130	MUFFLER GUARD	1	
10	N5050770	MUFFLER COMP.	1	
11	T4050180	GASKET EXHAUST	1	
12	0334548	HEX NUT M8	1	
13	K130190	STOPPER SEAT	1	
14	N5050800	MUFFLER FRONT GUARD	1	

FRAME ASSEMBLY

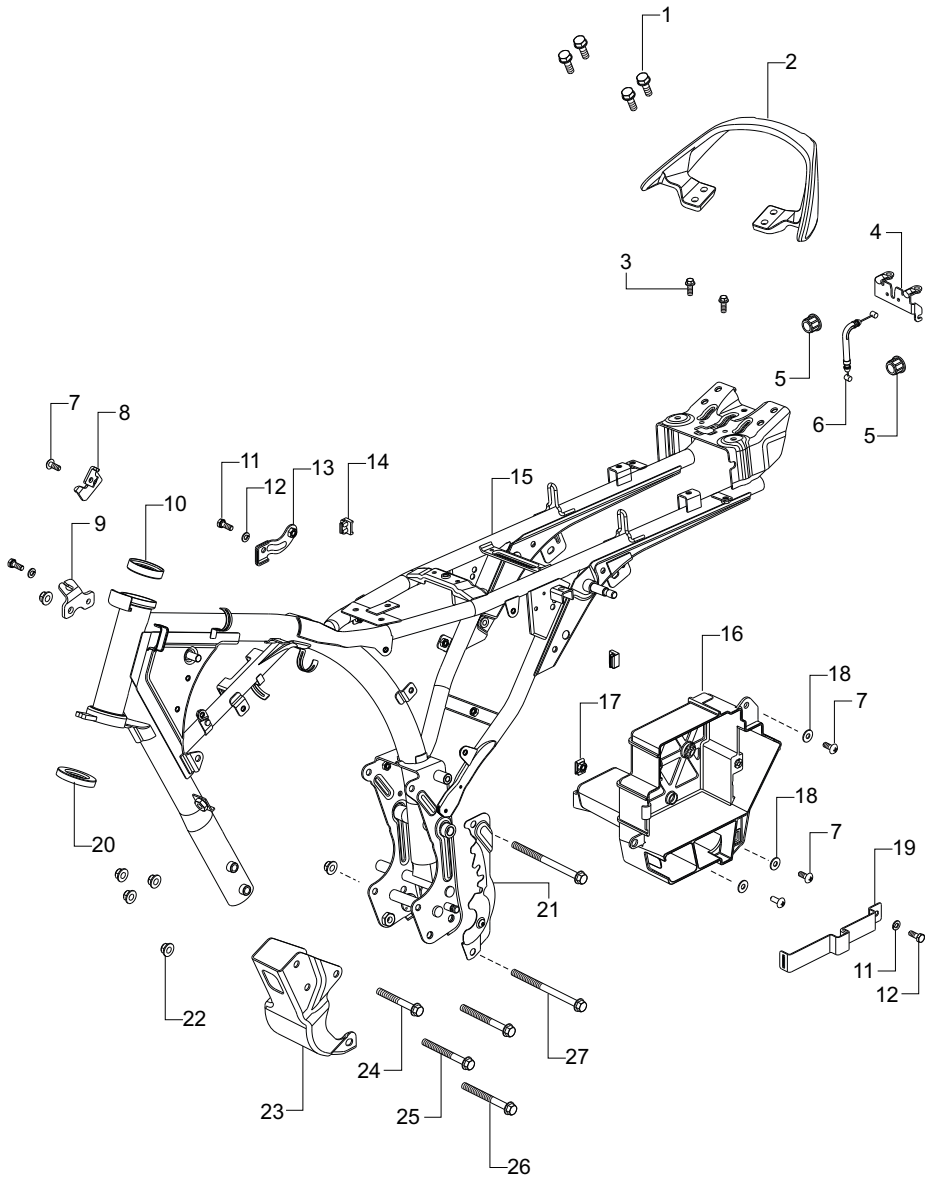


FRAME ASSEMBLY

FIG. NO. 15

REF. NO.	PART NO.	DESCRIPTION	QTY	REMARKS
1	M1200480	HEX FLANGE BOLT M8x25	4	
2	N5226070	PILLION HANDLE	1	
3	M1200520	HEX FLANGE BOLT M6x1x16	2	
4	N8216030	SEAT LATCH COMP.	1	
5	N3120410	PLUG,TUBE UPPER	2	
6	N8170310	CABLE ASSY. SEAT LOCK	1	
7	0332275	SCREW - CRPH M6x16	4	
8	N8124510	BRKT IGN COIL MTG NP.104	1	
9	N3121060	BRKT COMP. ABT CC&SL SWITCH	1	
10	S1125290	RACE STEERING INNER	1	
11	420464700	HEX SCREW M6x16	3	
12	0330408	PUNCHED WASHER	3	
13	N9120770	PLATE COMP R MTG COVER FRAME	1	
14	N8220490	GROMMET COVER FRAME	2	
15	N8124450	FRAME COMP.	1	
16	N8122830	BATTERY HOLDER	1	
17	S1200700	RETAINER CLIP COMP. PANEL	1	
18	0335608	PUNCHED WASHER 6.5x16.0x1.2	3	
19	N8122930	BRKT BATTERY HOLDER	1	
20	K3100590	CUP BOTTOM	1	
21	N8122890	DUST COVER CRANKCASE	1	
22	M1200890	HEX FLANGE U NUT M8x1.25	6	
23	N8124480	BRKT ENGINE MTG FRONT	1	
24	N8200040	HEX FL BOLT M8X65	1	
25	N8200030	HEX FL BOLT M8X75	1	

FRAME ASSEMBLY

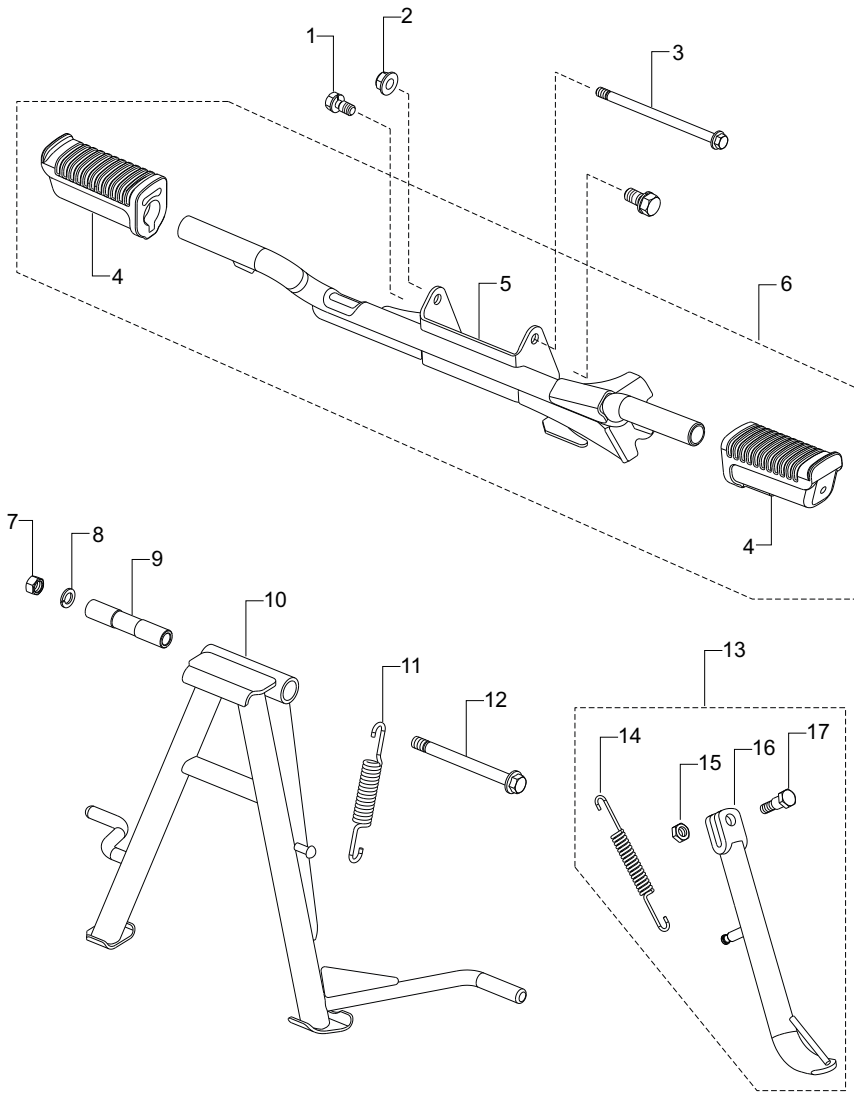


FRAME ASSEMBLY

FIG. NO. 15

REF. NO.	PART NO.	DESCRIPTION	QTY	REMARKS
26	N3200100	HEX FL BOLT M8x80	2	
27	0331278	BOLT ENGINE MOUNT L.115	2	

CENTER STAND & FOOT REST ASSY

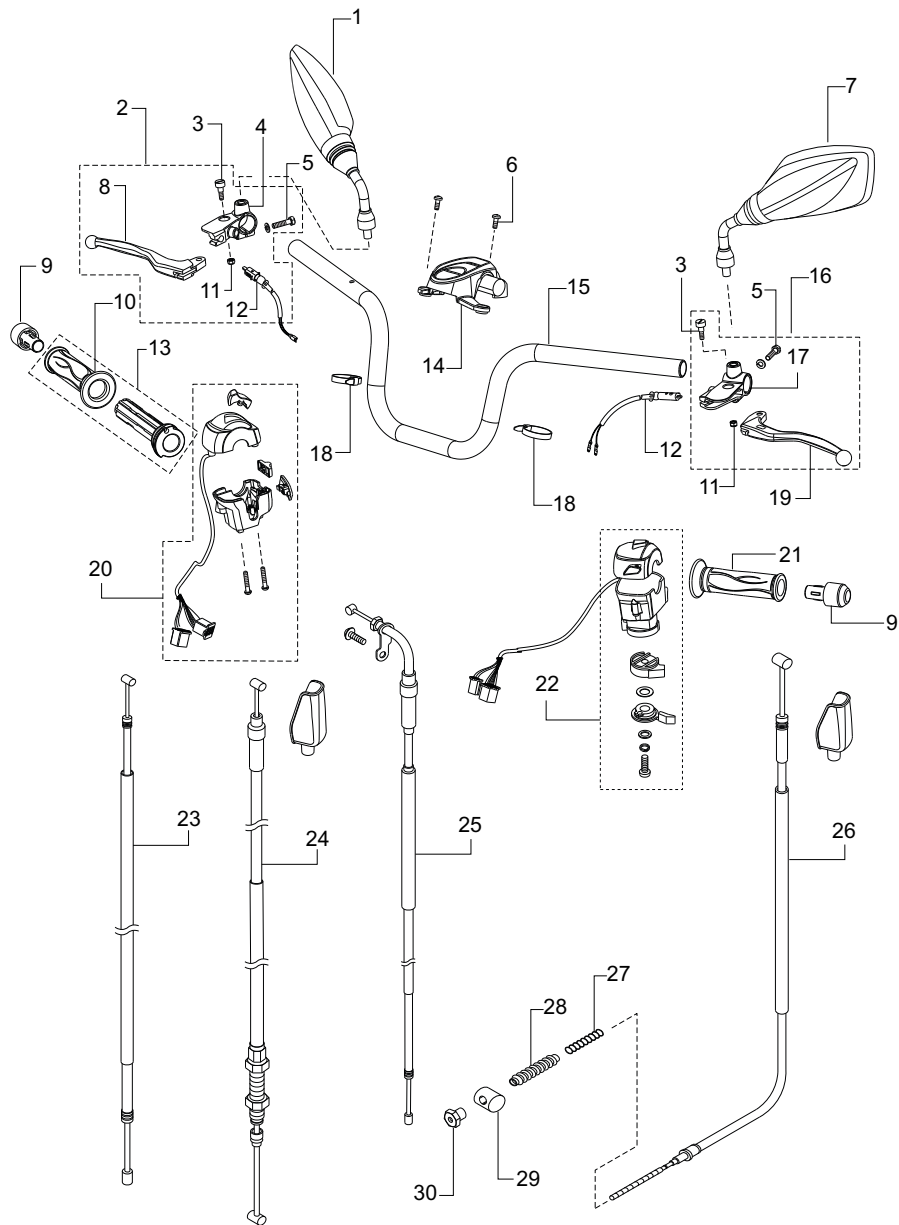


CENTER STAND & FOOT REST ASSY

FIG. NO. 16

REF. NO.	PART NO.	DESCRIPTION	QTY	REMARKS
1	0331058	HEX BOLT+WAVE SPR WASHER M8x16	2	
2	M1200890	U NUT M8x1.2	1	
3	0331278	HEX FL BOLT M8x1.25x115	1	
4	N3122460	SLEEVE, FOOTREST PILLION	2	
5	N5122710	BAR COMP. REAR FOOTREST	1	
6	N5122700	RIDER FOOTREST SUB ASSY.	1	
7	0334038	HEX NUT M10	1	
8	0330328	WAVE SPRING WASHER M10	1	
9	N3121540	SPACER CENTER STAND	1	
10	N9121890	CENTER STAND COMP.	1	
11	N3120860	SPRING CENTER STAND	1	
12	N8200050	HEX FLANGE BOLT M10x1.25x110	1	
13	N8320080	PROP STAND KIT	1	
14	N8121890	SPRING, PROP STAND	1	
15	0334548	HEX NUT M8	1	
16	N8121730	PROP STAND COMP.	1	
17	N9200010	HEX BOLT M8x1.25x30	1	

HANDLE BAR ASSEMBLY

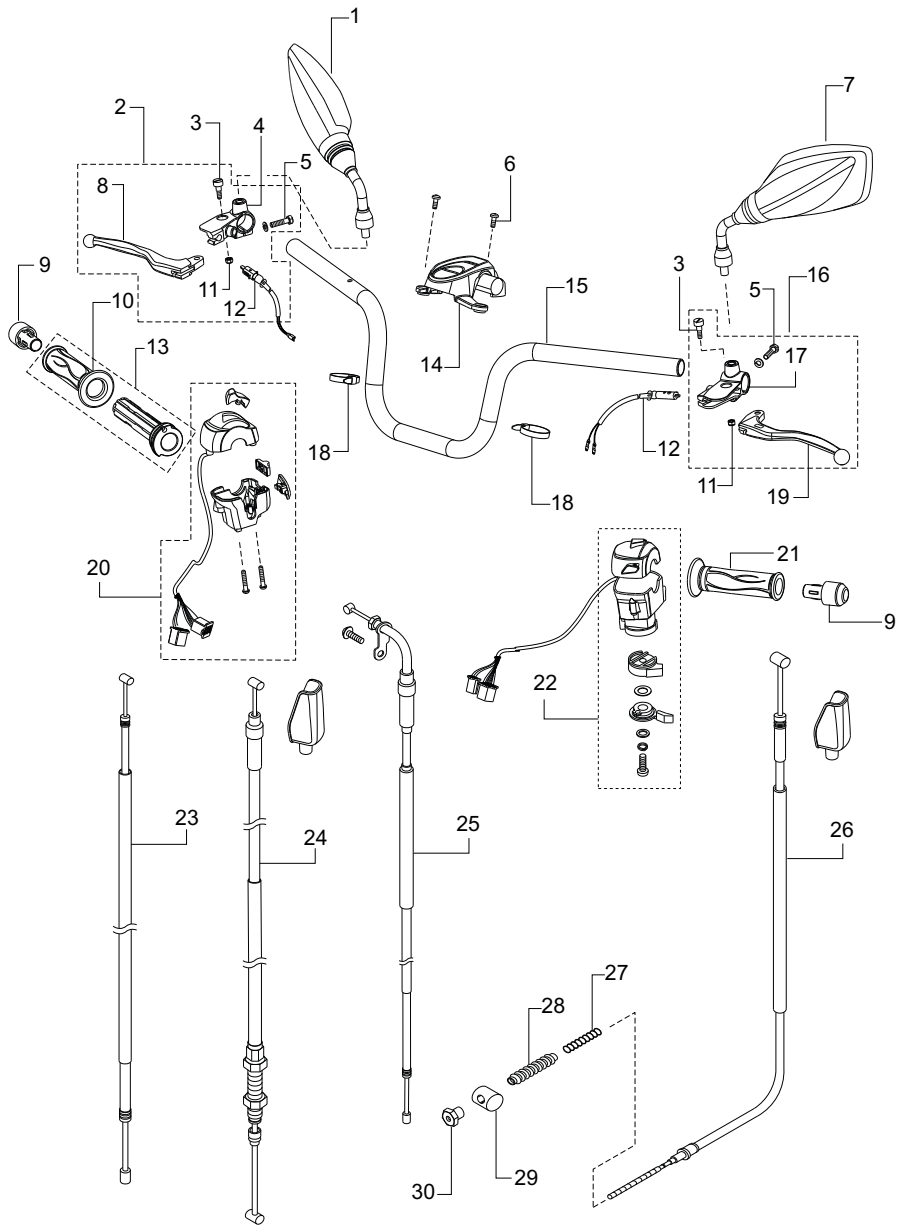


HANDLE BAR ASSEMBLY

FIG. NO. 17

REF. NO.	PART NO.	DESCRIPTION	QTY	REMARKS
1	N3220640	MIRROR ASSY. LH	1	
2	N5150170	LEVER ASSY. BRAKE	1	
3	N3150280	SPECIAL BOLT M5	2	
4	N5150160	HOLDER BRKT LEVER RH	1	
5	N5150140	HEX BOLT +WASHER	2	
6	P1200040	CRPH SCR M6x16	2	
7	N3220630	MIRROR ASSY LH	1	
8	N5150150	LEVER FRONT BRAKE	1	
9	N5150370	CAP HANDLE BAR	2	
10	N4150210	RUBBER THROTTLE GRIP	1	
11	415021000	NYLON LOCK NUT M5x0.8	2	
12	D163320	SWITCH STOP LAMP FRONT	1	
13	N3150750	GRIP COMP THROTTLE	1	
14	N5150360	COVER HANDLE BAR	1	
15	N3150120	HANDLE BAR COMP.	1	
16	N9150440	LEVER ASSY. CLUTCH	1	
17	N9150450	HOLDER BRKT LEVER LH	1	
18	N3160310	CLAMP SWITCH HARNESS	1	
19	N9150520	CLUTCH LEVER	1	
20	N5160720	SWITCH ASSY. RH	1	
21	N3150740	GRIP LH	1	
22	N5160710	SWITCH ASSY. LH	1	
23	N5170130	CABLE ASSY. CHOCK	1	
24	N5170140	CABLE ASSY. CLUTCH	1	
25	N5170120	CABLE ASSY. THROTTLE	1	

HANDLE BAR ASSEMBLY

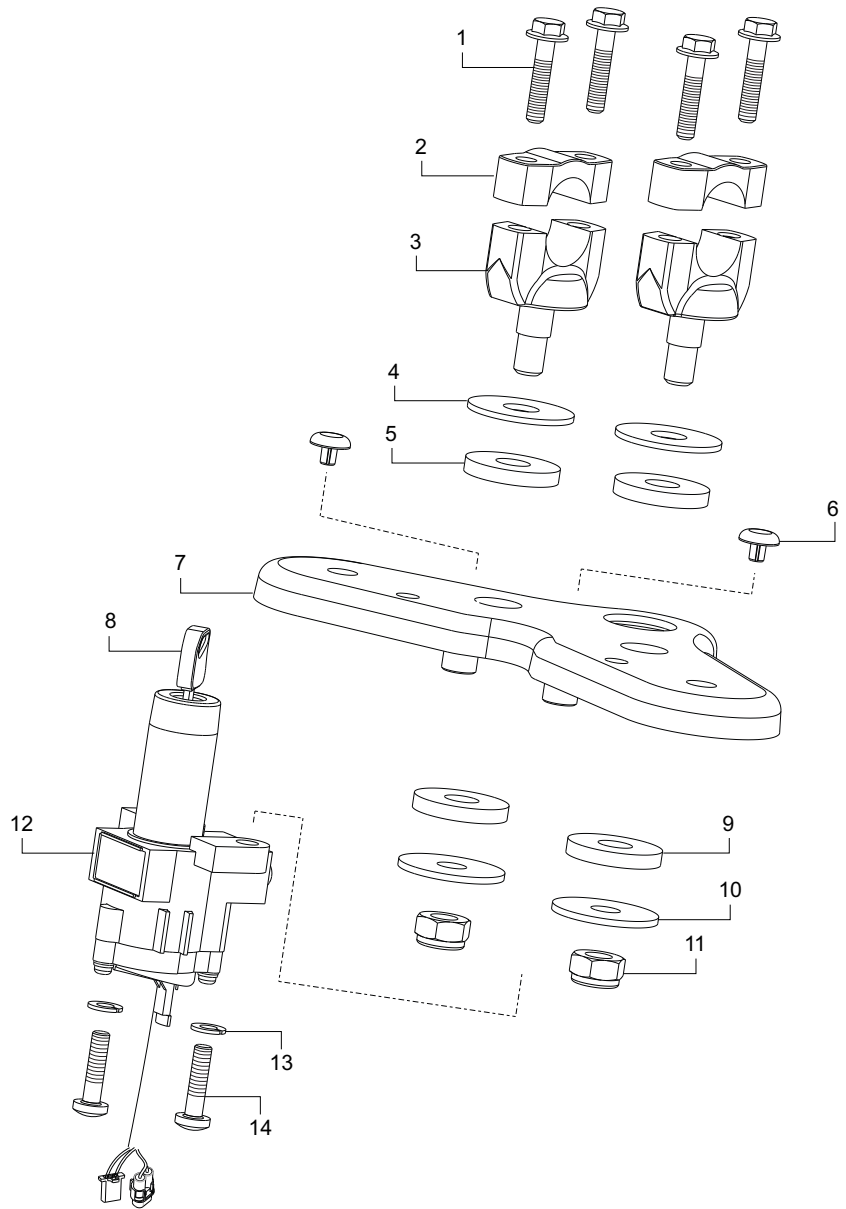


HANDLE BAR ASSEMBLY

FIG. NO. 17

REF. NO.	PART NO.	DESCRIPTION	QTY	REMARKS
26	N3170010	CABLE ASSY FRONT BRAKE	1	
27	N2110690	SPRING FRONT BRAKE CABLE	1	
28	N2110680	DUST SEAL FRONT BRAKE CABLE	1	
29	S1111940	PIN FRONT CABLE LEVER	1	
30	0334268	NUT FRONT BRAKE CABLE ADJ.	1	

HANDLE HOLDER ASSEMBLY

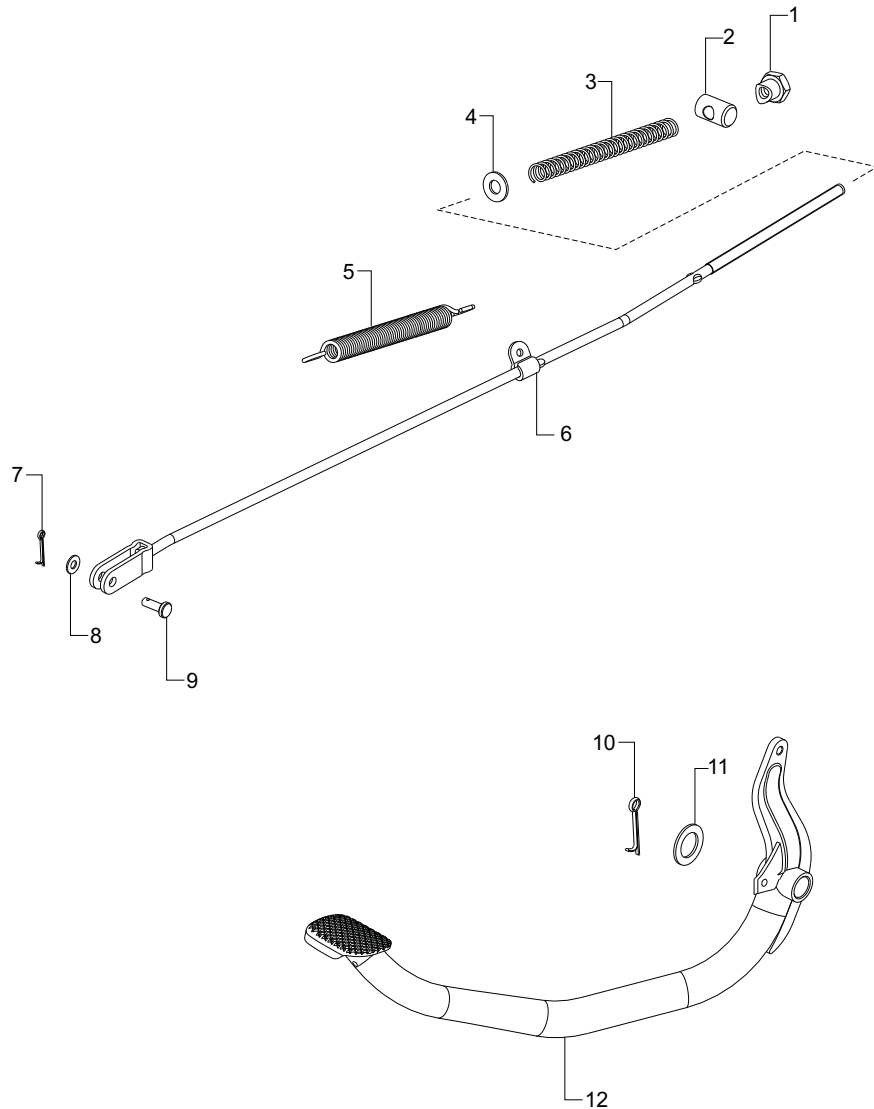


HANDLE HOLDER ASSEMBLY

FIG. NO. 18

REF. NO.	PART NO.	DESCRIPTION	QTY	REMARKS
1	N3200270	HEX FLANGE BOLT M6x30	4	
2	N3150250	HANDLE HOLDER UPPER	2	
3	N3150240	HANDLE HOLDER LOWER	2	
4	9200150	3D WASHER A12.5	2	
5	N3150220	CUSHION BOTTOM	2	
6	N3100450	CAP CENTER LOCK MTG	2	
7	N2100020	UPPER BRKT COMP.	1	
8	N5210590	KEY BLANK	1	
9	N3150230	CUSHION UPPER	2	
10	9200160	WASHER A10.3	2	
11	N3200040	NYLOCK NUT M10x1.25	2	
12	N8160490	IGNITION / STEERING LOCK	1	
13	0330408	WAVE SPRING WASHER M6	2	
14	K200700	CRPH SCREW M6x25	2	

BRAKE PEDAL ASSEMBLY

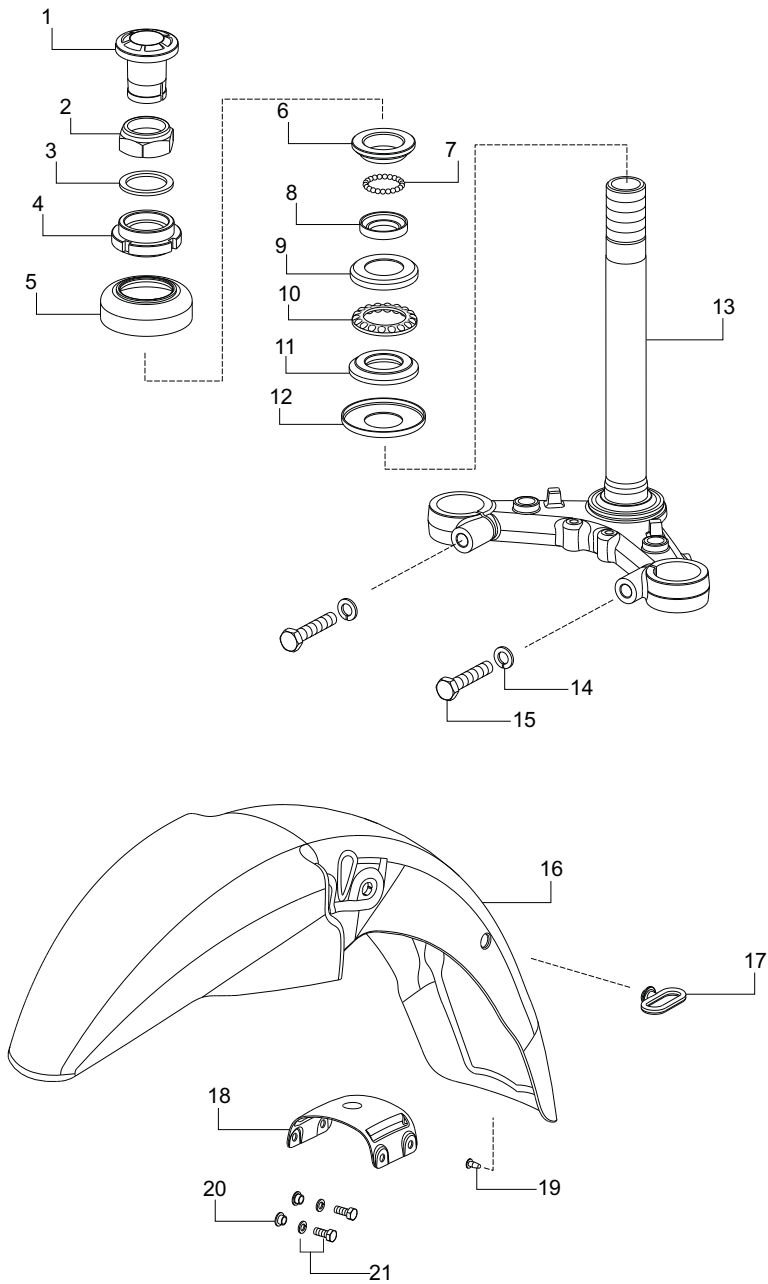


BRAKE PEDAL ASSEMBLY

FIG. NO. 19

REF. NO.	PART NO.	DESCRIPTION	QTY	REMARKS
1	0334278	NUT REAR BRAKE ROD ADJUSTER	1	
2	S1111930	PIN REAR BRAKE ROD LEVER	1	
3	N3110360	SPRING REAR BRAKE ROD ADJ.	1	
4	420001700	PUNCHED WASHER	1	
5	N2110700	BRAKE RETURN SPRING	1	
6	N8112740	ROD REAR BRAKE COMP.	1	
7	0330048	SPLIT PIN 2.0x20	1	
8	P1200140	PUNCHED WASHER A5.5	1	
9	N2110600	PIN REAR BRAKE CONNECTOR	1	
10	0330028	SPLIT PIN 3.2x25	1	
11	0335708	PUNCHED WASHER 15.5x26x2.3	1	
12	N31110205D	BRAKE PEDAL ASSY.	1	

UNDER BRACKET ASSEMBLY

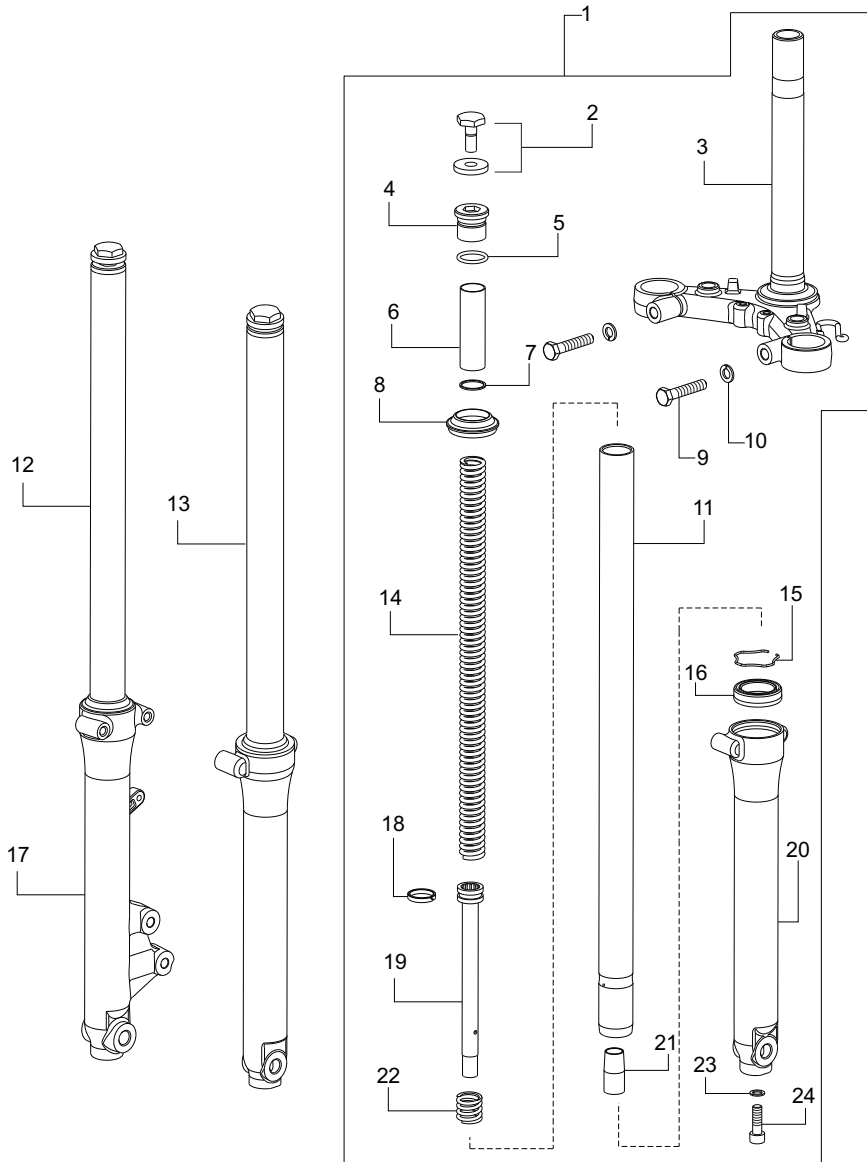


UNDER BRACKET ASSEMBLY

FIG. NO. 20

REF. NO.	PART NO.	DESCRIPTION	QTY	REMARKS
1	N9100840	CAP LOCK NUT	1	
2	410058700	LOCK NUT STEERING STEM	1	
3	410043700	SPECIAL WASHER	1	
4	N2100180	ARRESTER STEERING STEM	1	
5	M7101170	DUST SEAL	1	
6	S1101150	RACE STEERING OUTER	1	
7	420404000	BALL DIA (4.76)	22	
8	S1125290	RACE STEERING INNER	1	
9	K3100590	CUP BOTTOM	1	
10	N9101110	BALL CAGE COMP. LOWER	1	
11	N8120910	CONE BOTTOM	1	
12	N8120920	DUST SEAL STEERING LOWER	1	
13	N8101500	UNDER BRKT COMP.	1	
14	0330318	WAVE SPRING WASHER M8	2	
15	420955700	HEX SCREW M8x40	2	
16	N4220019	FENDER FRONT	1	
17	N3100220	GUIDE CABLE	1	
18	N2100150	BRACE FENDER FRONT	1	
19	N3100230	CLIP	1	
20	M7101020	SPACER FENDER FRONT	4	
21	0331058	HEX BOLT + SPRING WASHER	4	

FRONT FORK ASSEMBLY

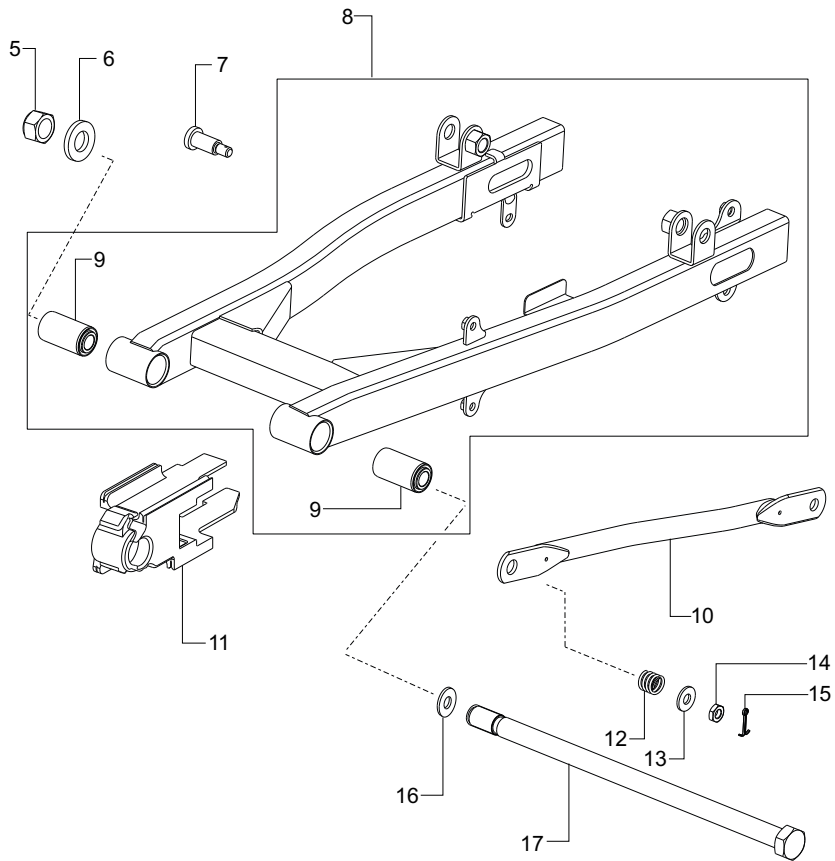


FRONT FORK ASSEMBLY

FIG. NO. 21

REF. NO.	PART NO.	DESCRIPTION	QTY	REMARKS
1	N31025207D	FRONT FORK ASSY. (DISC)	1	
2	N9100910	INTEGRAL BOLT	2	
3	N8101500	UNDER BRACKET COMP.	1	
4	N3100090	BOLT CAP	2	
5	N9101180	O RING	2	
6	N3102430	SPACER	2	
7	N5101979	WASHER SPRING SEAT	2	
8	N3102410	DUST SEAL	2	
9	0330318	WAVE SPRING WASHER M8	2	
10	420955700	HEX SREW M8x40	2	
11	N8101280	TUBE INNER FRONT FORK	2	
12	N31025007D	LEG ASSY. LH	1	
13	N31025107D	LEG ASSY. RH	1	
14	N8100820	SPRING- 1	2	
15	N3102420	SEAL OIL	2	
16	N3100290	CIRCLIP FRONT FORK	2	
17	N93205607D	OUTER TUBE RH	1	
18	N3100330	PISTON RING	2	
19	N3100340	PISTON	2	
20	M71009207D	OUTER TUBE LH	1	
21	N3100300	SPINDLE TAPER	2	
22	N8101320	SPRING	2	
23	N8101220	WASHER GASKET	2	
24	N8101230	HEX ALEN BOLT	2	

SWINGARM ASSEMBLY

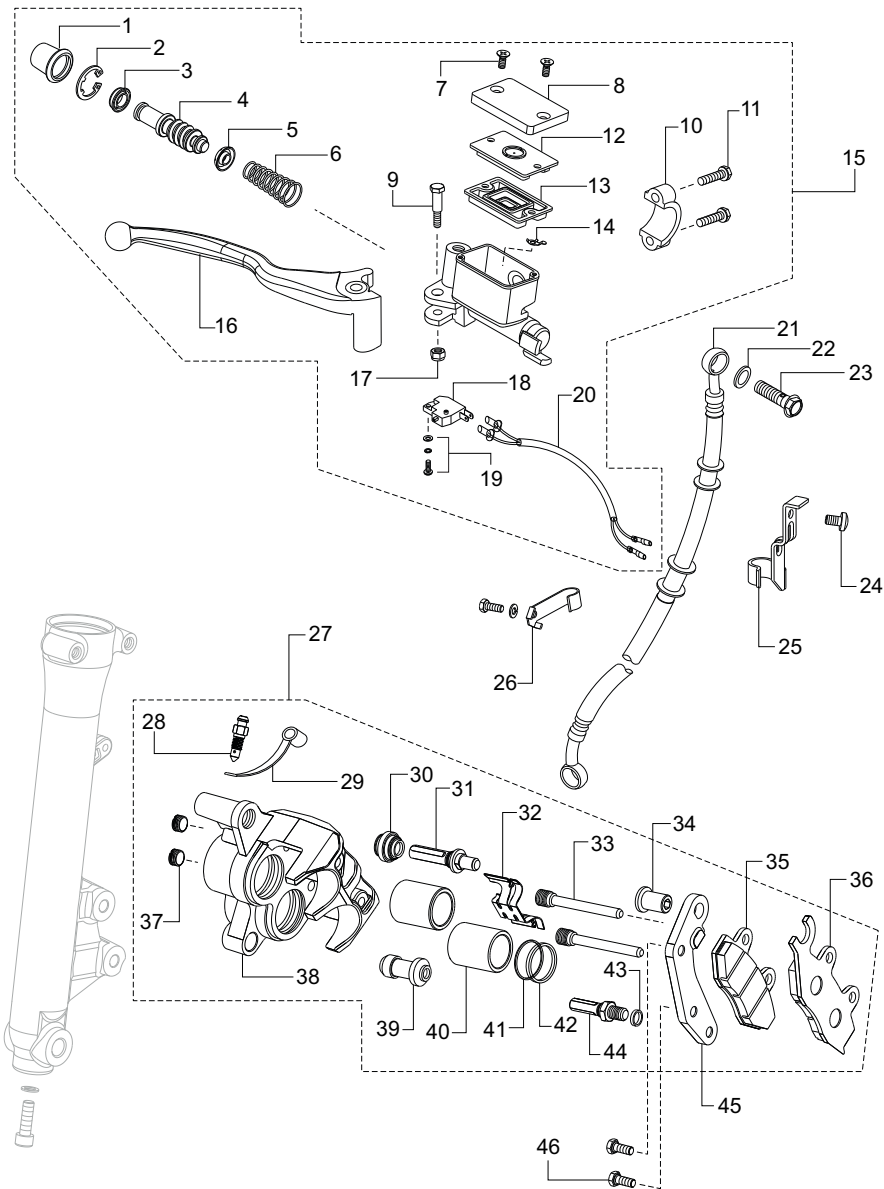


SWINGARM ASSEMBLY

FIG. NO. 22

REF. NO.	PART NO.	DESCRIPTION	QTY	REMARKS
1	420305700	HEX NUT M6	2	
2	N5091170	CLAMP CHAIN ADJUSTER	2	
3	N3111380	CHAIN ADJUSTER COMP RH	1	
4	N3111370	CHAIN ADJUSTER COMP LH	1	
5	0334158	NUT REAR SWINGARM	1	
6	0335678	PUNCHED WASHER 12.5x24x3.2	1	
7	N3090700	BOLT REAR TORQUE LINK REAR	1	
8	N5322110	SWINGARM COMP. (WITH BUSH)	1	
9	N3090670	BUSH SWINGARM	2	
10	N8091180	TORQUE LINK REAR	1	
11	N8090380	BUFFER CHAINCASE DEFENCE	1	
12	3207018	SPRING TORQUE LINK	1	
13	0336018	PUNCHED WASHER 6.5x20x2	1	
14	0334218	HEX NUT M8	1	
15	0330048	SPLIT PIN 2.0x20	1	
16	420015700	PUNCHED WASHER 12.5x20x1.2	1	
17	N3091280	AXLE 12x249	1	

DISC BRAKE ASSEMBLY FRONT

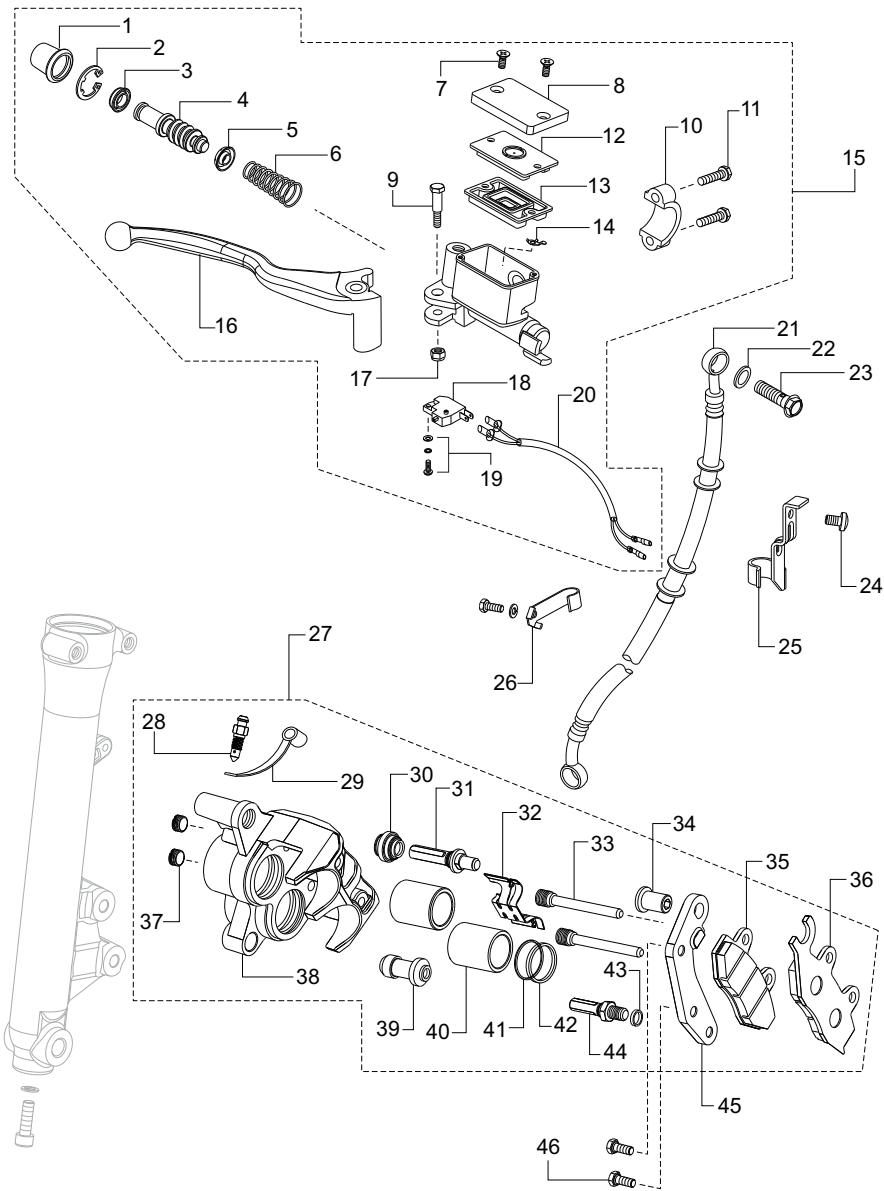


DISC BRAKE ASSEMBLY FRONT

FIG. NO. 23

REF. NO.	PART NO.	DESCRIPTION	QTY	REMARKS
1	---	BOOTS ASSEMBLY	1	
2	---	SNAP RING	1	
3	---	S CUP	1	
4	---	PISTON	1	
5	---	P CUP	1	
6	---	SPRING	1	
7	---	SCREW RESERVOIR CAP	2	
8	---	RESERVOIR CAP	1	
9	---	HAND LEVER BOLT	1	
10	---	HOLDER	1	
11	---	HOLDER BOLT	2	
12	---	PLATE DIAPHRAGM	1	
13	N9322010	DIAPHRAGM	1	
14	---	PROTECTOR	1	
15	N9111140	ASSY. MASTER CYLINDER	1	
16	---	LEVER RH	1	
17	---	FLANGE NUT	1	
18	---	SWITCH ASSY	1	
19	---	SCREW & WASHER	2	
20	---	SUB HARNESS	1	
21	---	HOSE COMP BRAKE	1	
22	N9111330	GASKET	4	
23	N9111320	BANJO BOLT	2	
24	M1200810	SCREW M6x10	1	
25	N9111270	CLAMP HOSE UNDER BRACKET	1	

DISC BRAKE ASSEMBLY FRONT

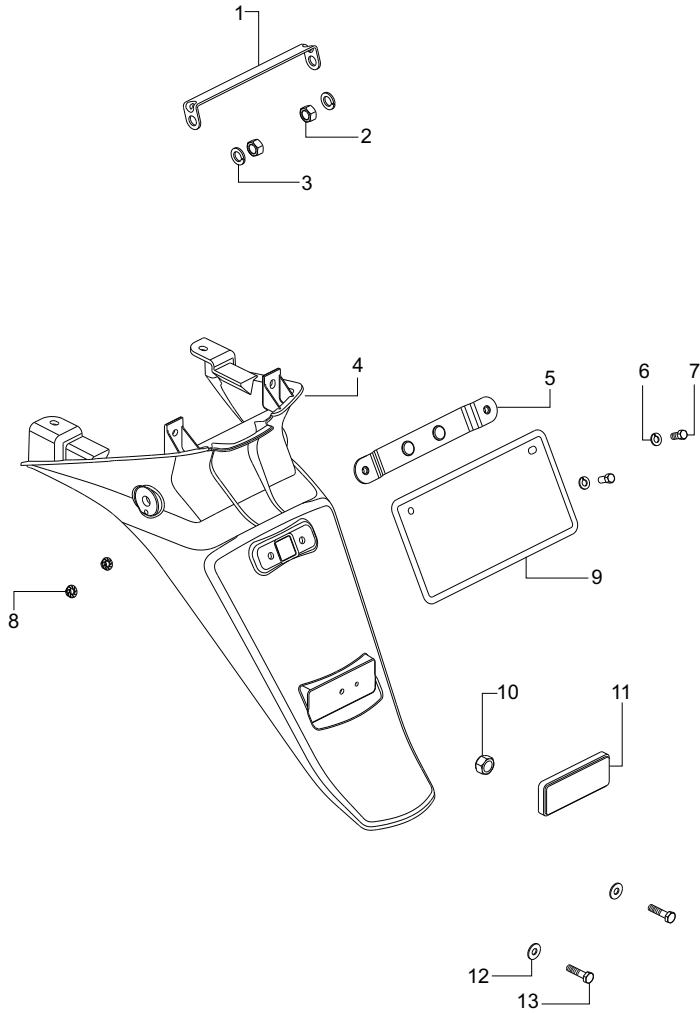


DISC BRAKE ASSEMBLY FRONT

FIG. NO. 23

REF. NO.	PART NO.	DESCRIPTION	QTY	REMARKS
26	N9111220	CLAMP BRAKE HOSE	1	
27	N9111120	CALIPER ASSY. DIA 27 TWIN PORT	1	
28	---	BLEEDER	1	
29	---	CAP BLEEDER	1	
30	---	BOOT B	1	
31	---	PIN BOLT A	1	
32	---	SPRING PAD	1	
33	---	PIN HANGER	2	
34	---	INNER HEX NUT	1	
35	---	PAD COMP INNER	1	
36	---	PAD COMP OUTER	1	
37	---	PLUG PIN	2	
38	---	BODY CALIPER COMP.	1	
39	---	BUSH BOOT PIN	1	
40	---	PISTON CALIPER	2	
41	---	DUST SEAL 1	2	
42	---	DUST SEAL 2	2	
43	---	SPRING WASHER	1	
44	---	PIN BOLT B	1	
45	---	BRACKET COMP FRONT	1	
46	U2200010	HEX FLANGE BOLT M8x27	2	

REAR FENDER ASSEMBLY

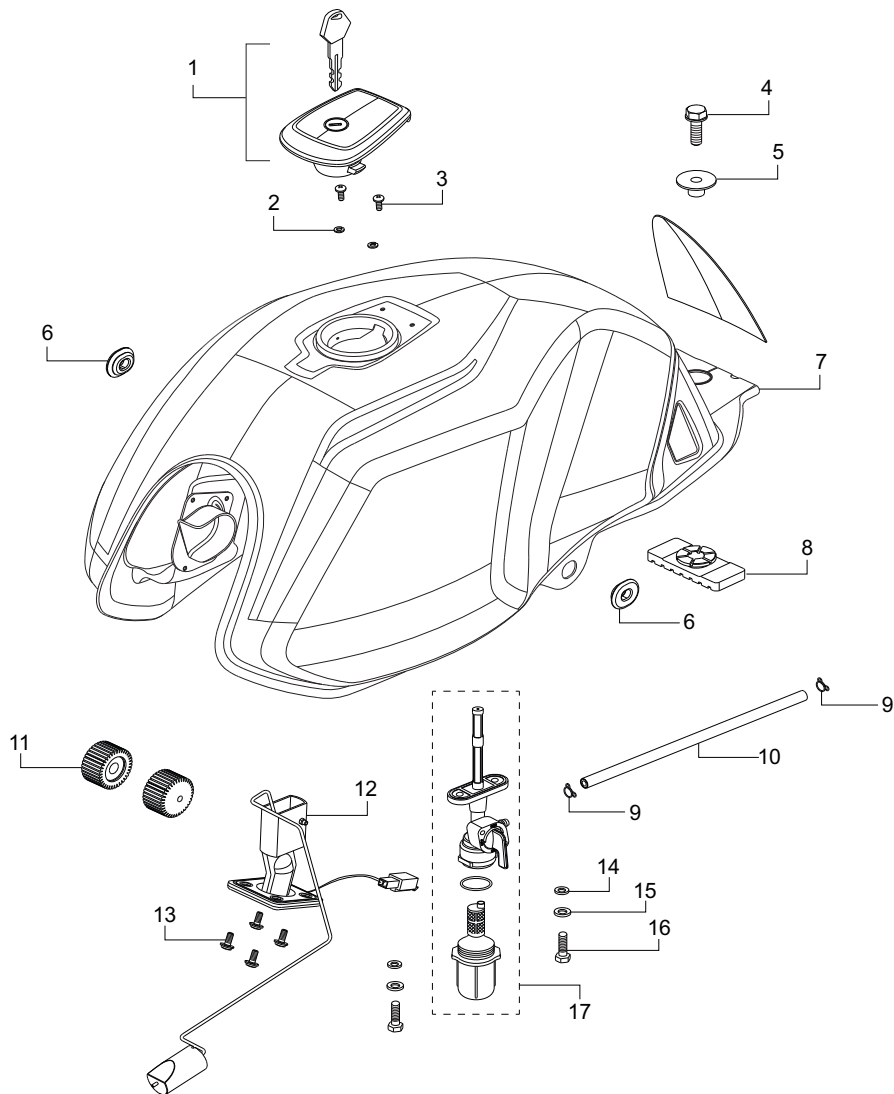


REAR FENDER ASSEMBLY

FIG. NO. 24

REF. NO.	PART NO.	DESCRIPTION	QTY	REMARKS
1	N8221950	BRKT, FENDER REAR	1	
2	0334038	HEXAGONAL NUT M10X1.25	2	
3	0330328	WAVE SPRING WASHER M10	2	
4	N5226530	FENDER REAR	1	
5	N8220300	BRKT COMP LICENCE PLATE REAR	1	
6	0330408	WAVE SPRING WASHER	2	
7	420452700	HEX BOLT M6x1.0x12	2	
8	0334146	HEX FLANGE NUT M6	2	
9	N8121710	LICENCE PLATE REAR	1	
10	0334560	HEX NUT M5	1	
11	M7160120	REFLEX REFLECTOR	1	
12	0335605	PUNCHED WASHER 6.5x16x1.2	2	
13	N5200400	HEX SCREW M6x25	2	

FUEL TANK ASSEMBLY

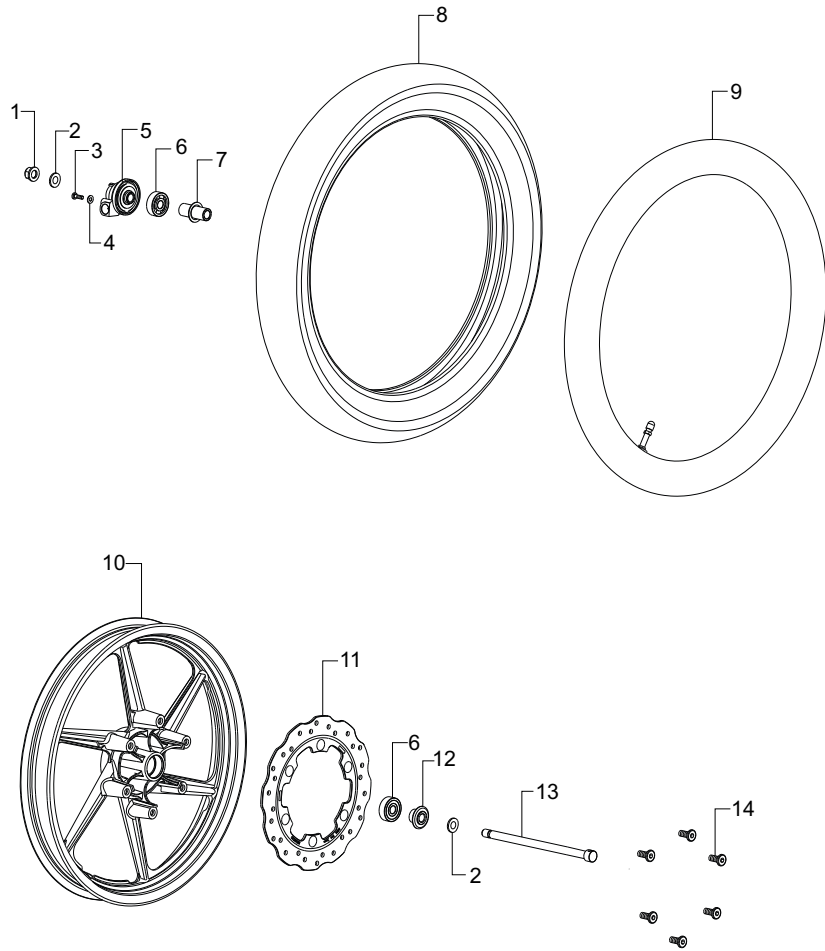


FUEL TANK ASSEMBLY

FIG. NO. 25

REF. NO.	PART NO.	DESCRIPTION	QTY	REMARKS
1	N8140720	FUEL TANK CAP ASSY.	1	
2	8200120	CRR FL PAN HD SCREW M5X12	4	
3	420515700	RECESSED PAN HEAD SCREW M4x10	2	
4	M1200480	HEX FLANGE BOLT M8x25	1	
5	N9140540	BUSH FUEL TANK REAR MTG	1	
6	K122810	CUSHION COVER FRAME	2	
7	---	FUEL TANK COMP.	1	
8	N9140530	CUSHION FUEL TANK REAR MTG	1	
9	S1140390	HOSE CLIP	2	
10	K140720	HOSE, FUEL	1	
11	N2140060	CUSHION FUEL TANK FRONT	2	
12	N8161670	FUEL SENDER ASSY.	1	
13	8200120	CRR FL PAN HD SCREW M5X12	4	
14	N3140120	GASKET OIL LEVEL PLUG	2	
15	420001700	PUNCHED WASHER A6.6 ZNB	2	
16	420462700	HEX SCREW M6X20 8.8 ZNB	2	
17	N8140260	FUEL COCK ASSY	1	

FRONT WHEEL ASSEMBLY

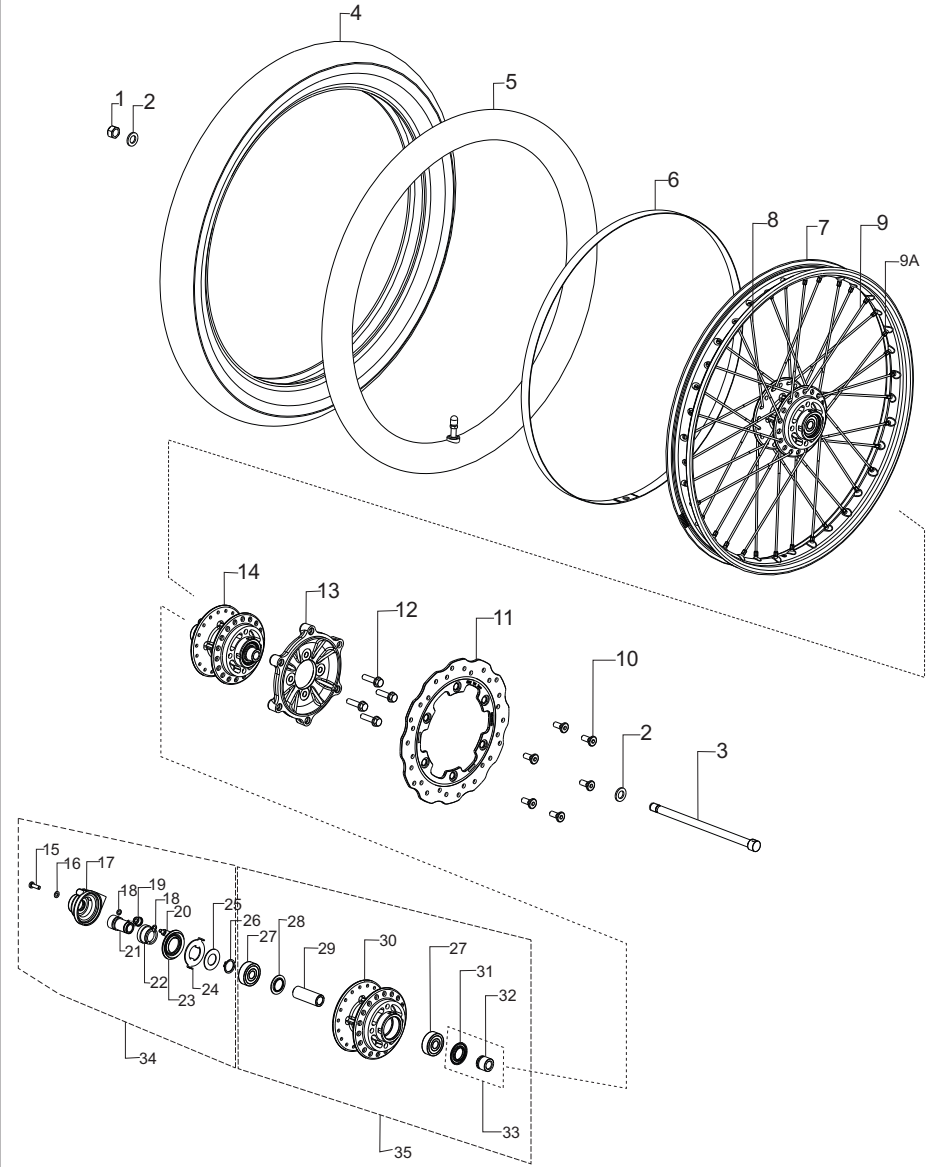


FRONT WHEEL ASSEMBLY

FIG. NO. 26

REF. NO.	PART NO.	DESCRIPTION	QTY	REMARKS
1	0334158	NUT REAR SWING ARM PIVOT	1	
2	0335538	PUNCHED WASHER 12.5x22x2.3 ZNB	2	
3	0331718	CRPH SCR M5x16 6.8 ZNB	1	
4	P1200140	PUNCHED WASHER A5.5 ZNG (TSDS-0003)	1	
5	M7111350	HUB DRIVE SPEEDO	1	
6	N3200010	BALL BEARING 12x37x12 C3 6301 Rs1	2	
7	M7110160	SPACER FR HUB BRG DISC	1	
8	N5111620	TYRE 17 275 FRONT	1	
9	R1110520	TUBE 2.75" X 17" - REAR City 110/spor	1	
10	N9111100	ALLY WHL 1.85" 17" 6 DSC FR BLK	1	
11	N5111510	DISC PLATE 240 4	1	
12	M7110100	SPACER COMP	1	
13	N3110990	AXLE FRONT 12x221.5	1	
14	M7110090	SCREW SPECIAL M8	6	

FRONT WHEEL ASSEMBLY

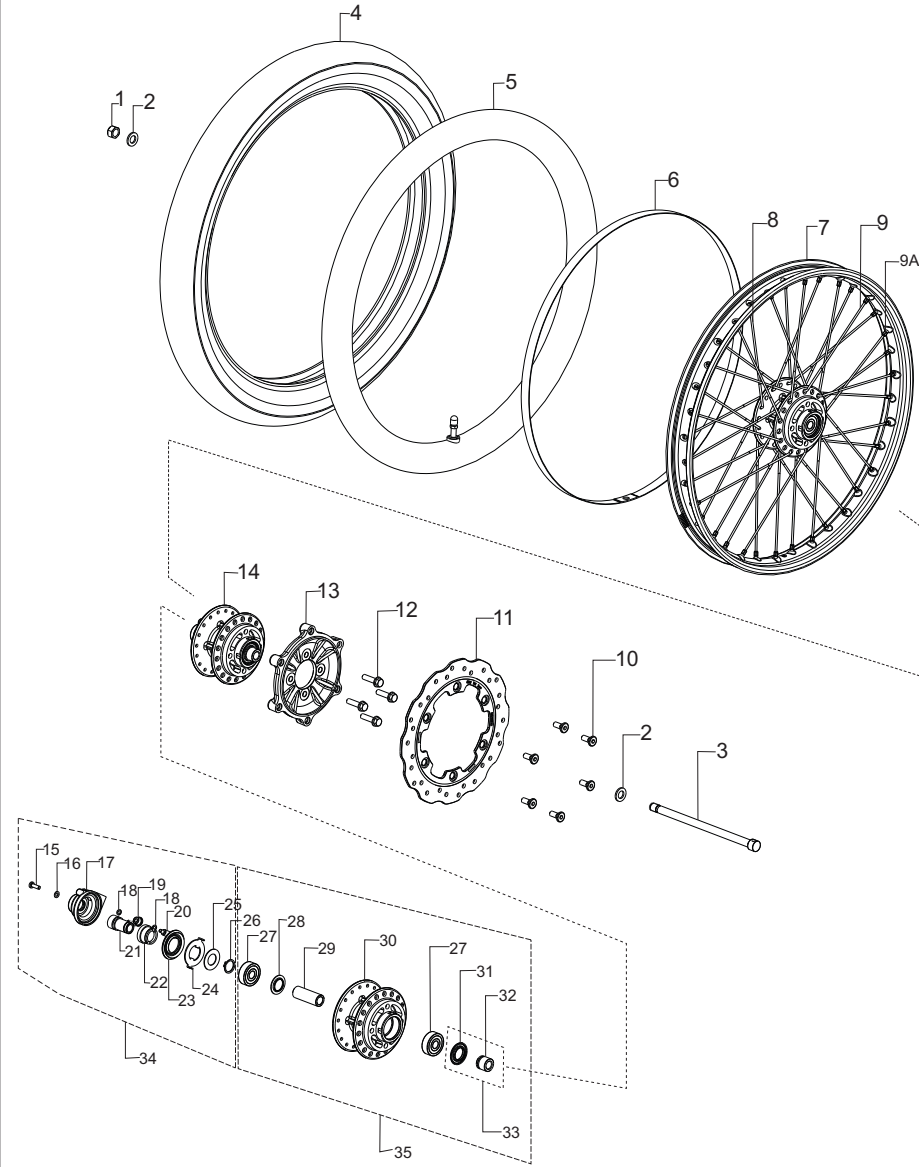


FRONT WHEEL ASSEMBLY

FIG. NO. 27

REF. NO.	PART NO.	DESCRIPTION	QTY	REMARKS
1	0334158	NUT REAR SWING ARM PIVOT	1	
2	0335538	PUNCHED WASHER 12.5x22x2.3 ZNB	2	
3	N3110990	AXLE FRONT 12x221.5	1	
4	N5112090	TYRE 140 19 FRONT	1	
5	N5112000	TUBE	1	
6	N5111990	PROTECTOR WHEEL INNER TUBE	1	
7	N5112080	WHEEL RIM 19 140 FRONT	1	
8	N5111970	SPOKE INNER FRONT	18	
9	N5111980	SPOKE OUTER FRONT	18	
9A	411005	NIPPLE	36	
10	M7110090	SCREW SPECIAL M8	6	
11	N5111510	DISC PLATE 240 4	1	
12	M7110280	HEX FLANGED BOLT M8x30	4	
13	N1110030	ADAPTOR DISC BRAKE	1	
14	N5112120	WHEEL HUB ASSY FR	1	
15	331718	CRPH SCR M5x16 6.8 ZNB	1	
16	P1200140	PUNCHED WASHER A5.5 ZNG (TSDS-0003)	1	
17	M7111350	HUB DRIVE SPEEDO	1	
18	M7111350_5	SPACER WASHER	2	
19	M7111350_6	ARRESTOR	1	
20	M7111350_7	PISTON	1	
21	M7111350_2	INSERT	1	
22	M7111350_3	GEAR HUB DRIVE	1	
23	M7111350_4	LOCK WASHER	1	
24	U2110220	DRIVER	1	

FRONT WHEEL ASSEMBLY

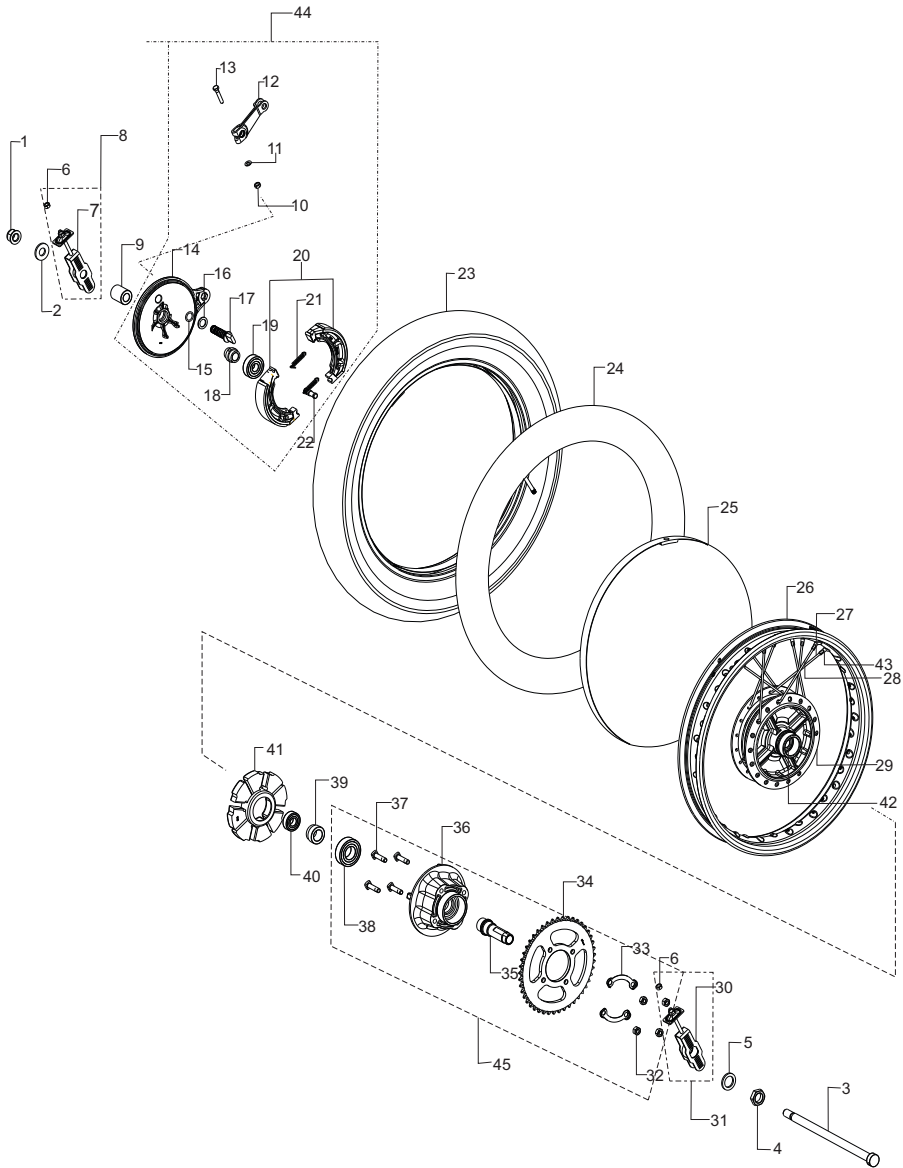


FRONT WHEEL ASSEMBLY

FIG. NO. 27

REF. NO.	PART NO.	DESCRIPTION	QTY	REMARKS
25	M7110190	WASHER SPEEDOMETER	1	
26	0330230	CIRCLIP	1	
27	N3200010	BALL BEARING 12X37X12	2	
28	M7110310	COLLAR	1	
29	M7110179	SPACER	1	
30	N5112110	WHEEL HUB FRONT	1	
31	M7110129	FLANGE	1	
32	M7110119	SPACER	1	
33	M7110100	SPACER COMP	1	
34	M7111350	HUB DRIVE SPEEDO	1	
35	N5112120	WHEEL HUB ASSY	1	

REAR WHEEL ASSEMBLY

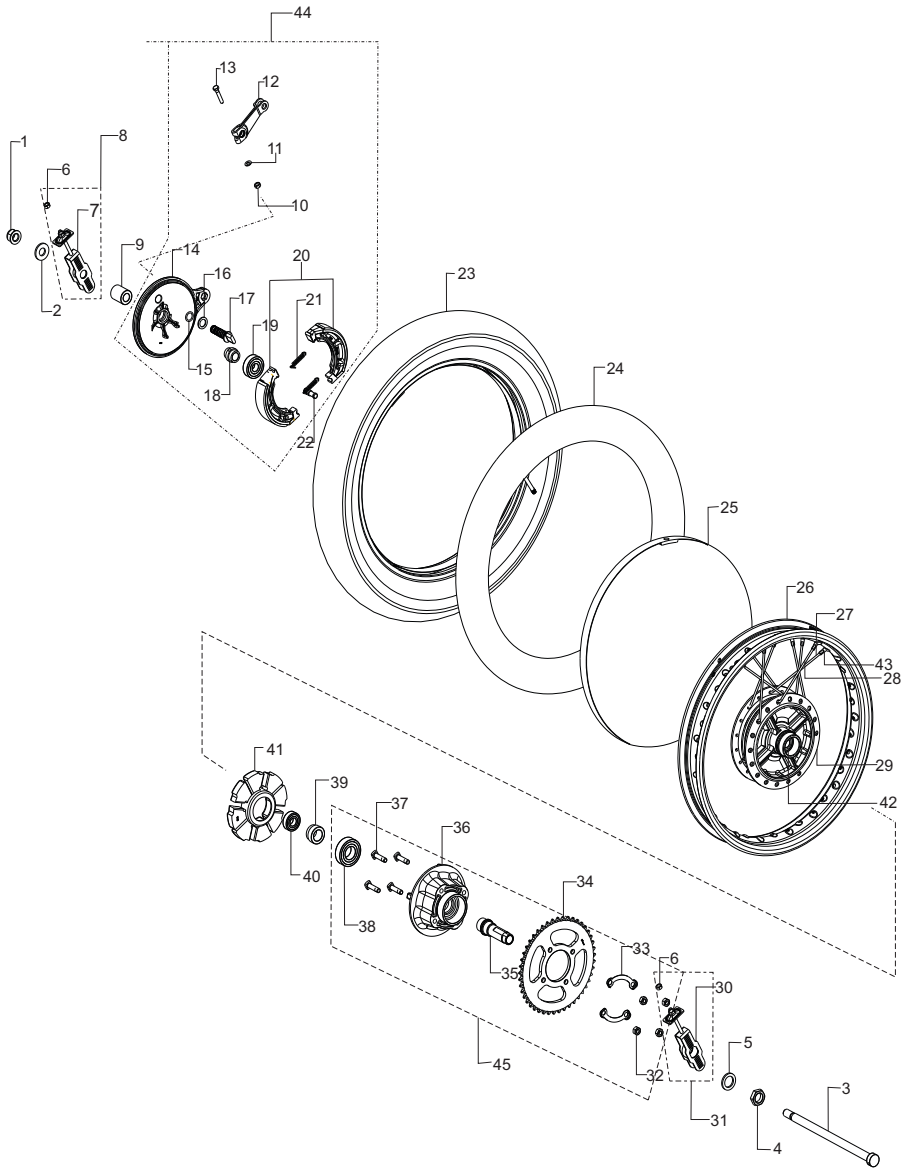


REAR WHEEL ASSEMBLY

FIG. NO. 28

REF. NO.	PART NO.	DESCRIPTION	QTY	REMARKS
1	K200410	M 14 X 1.5 U - NUT	1	
2	M7200020	WASHER 14.5x32x3.2	1	
3	N9110700	REAR AXLE 15x290	1	
4	0334640	HEX NUT M20 8 ZNC	1	
5	M7200010	WASHER 21.6x32x3.2	1	
6	420305700	HEX NUT M6 8 ZNB	2	
7	N3111380	CHAIN ADJUSTER ASSY EDGE-RH	1	
8	N3111380_1	CHAIN ADJUSTER ASSY	1	
9	M7110750	SPACER REAR AXLE R	1	
10	420305700	HEX NUT M6 8 ZNB	1	
11	335578	PUNCHED WASHER 6.5X13X1	1	
12	N5110740	LEVER, REAR BRAKE CAM	1	
13	331248	HEX BOLT M6x1x33	1	
14	1180069	PANEL BRAKE REAR	1	
15	178030	O RING BRAKE CAM	1	
16	335598	PUNCHED WASHER 14.5x22x1.6	1	
17	N2110130	CAM BRAKE FRONT	1	
18	1180089	BOSS REAR BRAKE PANEL	1	
19	1339510	BALL BEARING 15x42x13 C3 6302Z	1	
20	1171069	SHOE, BRAKE SET	1	
21	3230515	SPRING, BRAKE SHOE	2	
22	3170108	PIN FRONT BRAKE ANCHOR PANEL	1	
23	N5112040	TYRE 9000 16	1	
24	N5112070	TUBE REAR	1	
25	N5112130	PROTECTOR WHEEL RIM	1	

REAR WHEEL ASSEMBLY

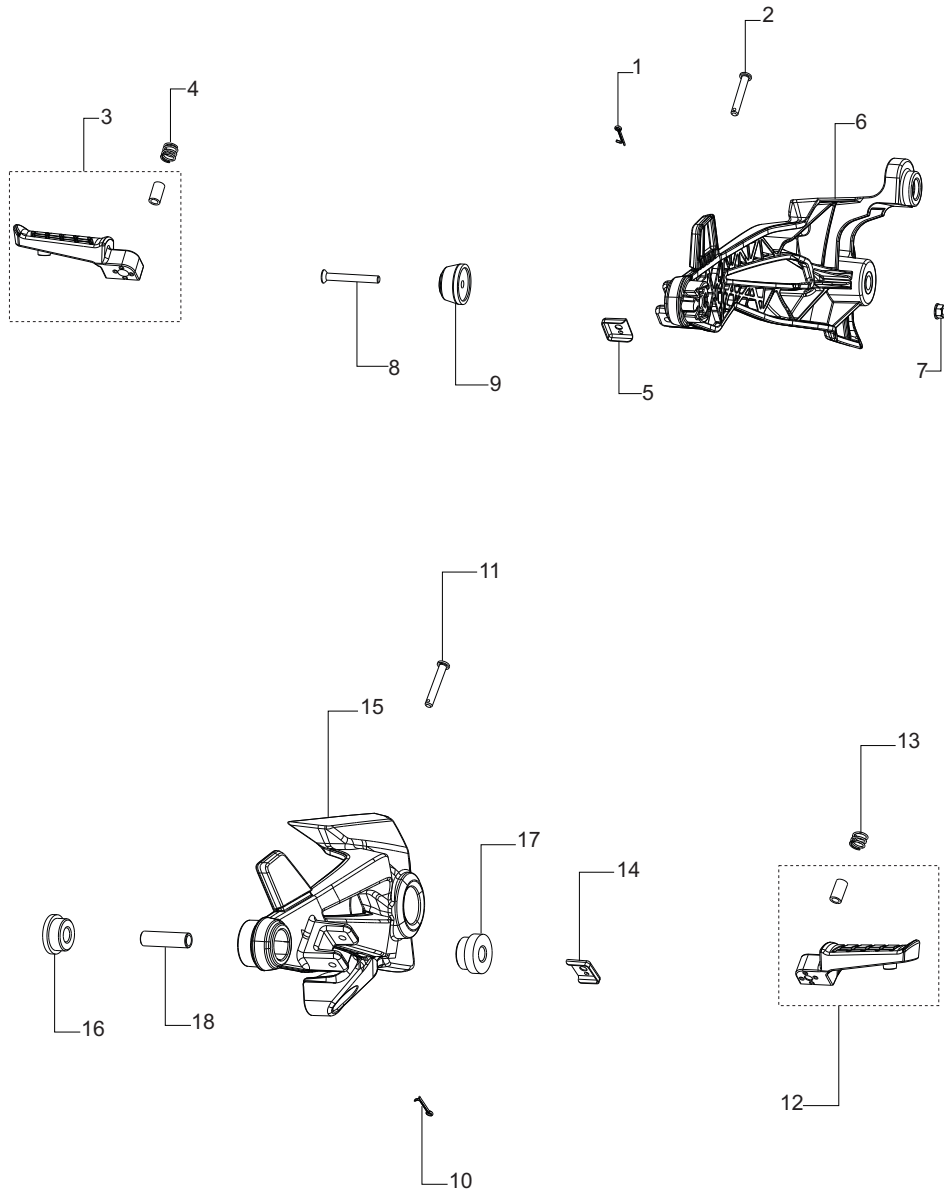


REAR WHEEL ASSEMBLY

FIG. NO. 28

REF. NO.	PART NO.	DESCRIPTION	QTY	REMARKS
26	N5112030	WHEEL RIM 16 9000	1	
27	N5112050	SPOKE INNER REAR	18	
28	N5112060	SPOKE OUTER REAR	18.	
29	U2110720	HUB COMP RR WHEEL PAINTED AX100 & 150	1	
30	N3111370	CHAIN ADJUSTER ASSY EDGE-LH	1	
31	N3111370_1	CHAIN ADJUSTER ASSY	1	
32	334548	HEXAGONAL NUT M8	4	
33	1181160	WASHER, REAR SPROCKET	2	
34	N4110340	SPROCKET REAR	1	
35	N9110690	SHAFT REAR SPROCKET MTG DRUM	1	
36	1181070	DRUM REAR SPROCKET MTG	1	
37	331318	BOLT REAR SPROCKET	4	
38	1339120	BALL BEARING 25x52x15	1	
39	M7110740	SPACER REAR AXLE L	1	
40	1339520	BALL BEARING 15x35x11 C3 6202Z	1	
41	1181150	ABSORBER RR WHEEL HUB SHOCK	1	
42	1182200	SPACER COMP	1	
43	N3110200	NIPPLE DIA3.5 WHEEL SPOKE	38	
44	N5111540	BRAKE PANEL ASSY R	1	
45	N3110900	DRUM REAR SPROCKET DIA 130	11	

PILLION FOOTREST ASSEMBLY LH & RH

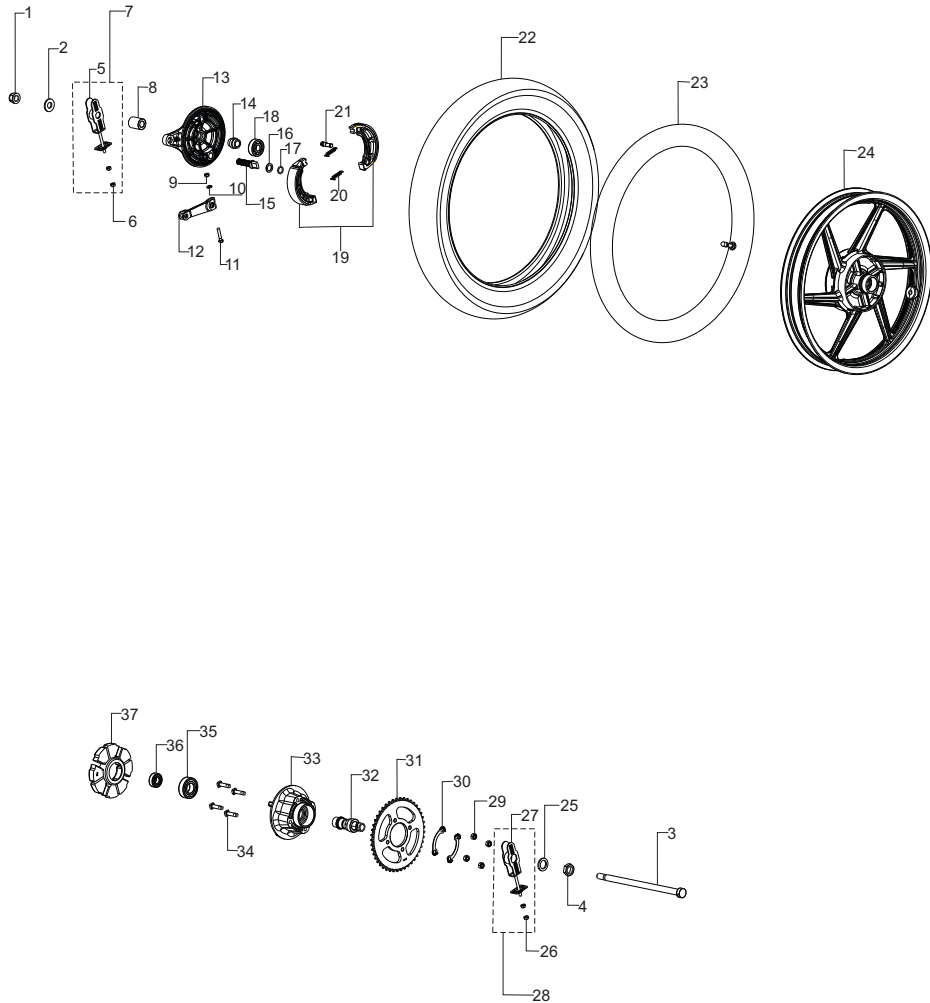


PILLION FOOTREST ASSEMBLY LH & RH

FIG. NO. 29

REF. NO.	PART NO.	DESCRIPTION	QTY	REMARKS
1	0330048	SPLIT PIN 2.0x20 ZNB	1	
2	N9121790	PIN PILLION FOOTREST	1	
3	N9123950	PILLION FOOT PEG L	1	
4	N9123980	SPRING FOOTREST	1	
5	N9123970	GUIDE PILLION FOOT PEG L	1	
6	N5226080	PILLION FOOTREST COMP L	1	
7	M1200900	HEX FLANGE NUT M6	1	
8	M1201060	REC CSK HD SCR M6x50 6.8 ZNK	1	
9	R1150270	DAMPER HANDLE BAR	1	
10	0330048	SPLIT PIN 2.0x20 ZNB	1	
11	N9121790	PIN PILLION FOOTREST	1	
12	N9123940	PILLION FOOT PEG R	1	
13	N9123980	SPRING FOOTREST	1	
14	N9123970	GUIDE PILLION FOOT PEG L	1	
15	N5226090	PILLION FOOTREST COMP R	1	
16	N9125580	CUSHION EXHAUST MTG	1	
17	N9124890	CUSHION EXHAUST MTG	1	
18	N9125590	SPACER	1	

REAR WHEEL ASSEMBLY

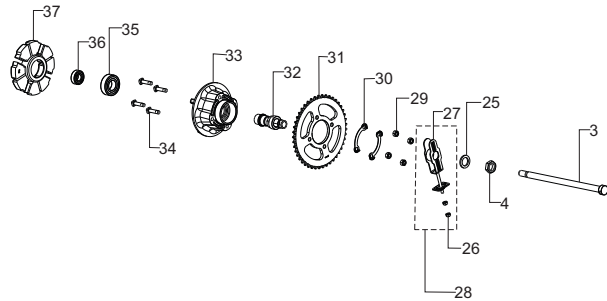
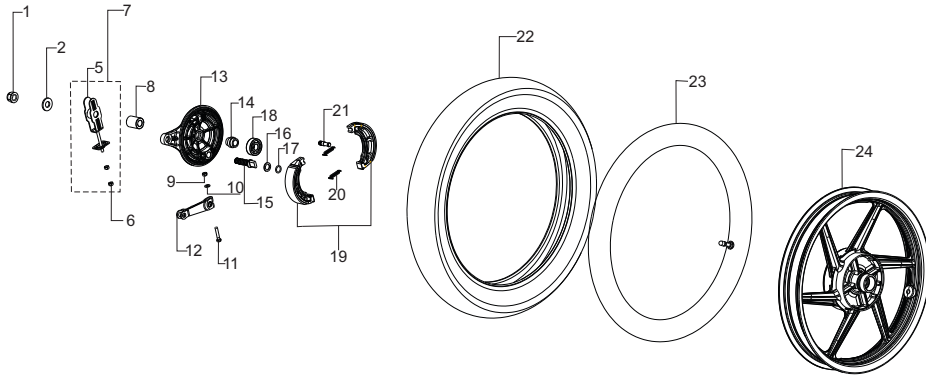


REAR WHEEL ASSEMBLY

FIG. NO. 30

REF. NO.	PART NO.	DESCRIPTION	QTY	REMARKS
1	K200410	M 14 X 1.5 U - NUT	1	
2	M7200020	WASHER 14.5x32x3.2	1	
3	N9110700	REAR AXLE 15x290	1	
4	0334640	HEX NUT M20 8 ZNC	1	
5	N3111380	CHAIN ADJUSTER ASSY EDGE-RH	1	
6	420305700	HEX NUT M6 8 ZNB	1	
7	N3111380_1	CHAIN ADJUSTER ASSY	1	
8	M71107505D	SPACER REAR AXLE R BLACK	1	
9	420305700	HEX NUT M6 8 ZNB	1	
10	420001700	PUNCHED WASHER A6.6 ZNB	1	
11	0331248	HEX BOLT M6x1x33	1	
12	N5110740	LEVER, REAR BRAKE CAM	1	
13	1180069	PANEL BRAKE REAR	1	
14	1180089	BOSS REAR BRAKE PANEL	1	
15	N2110130	CAM BRAKE FRONT	1	
16	0335698	PUNCHED WASHER 14.5x22x1.6	1	
17	0178030	O RING BRAKE CAM	1	
18	1339510	BALL BEARING 15x42x13	1	
19	1171069	SHOE, BRAKE	1	
20	3230515	SPRING, BRAKE SHOE	2	
21	3170108	PIN FRONT BRAKE ANCHOR PANEL	1	
22	N5111630	TYRE 90/90 -17 REAR	1	
23	N5111590	TUBE	1	
24	N9112770ID	ALLOY WHEEL REAR 2.15 x 17	1	
25	M7200010	PUNCHED WASHER 21.6x32x3.2	1	

REAR WHEEL ASSEMBLY

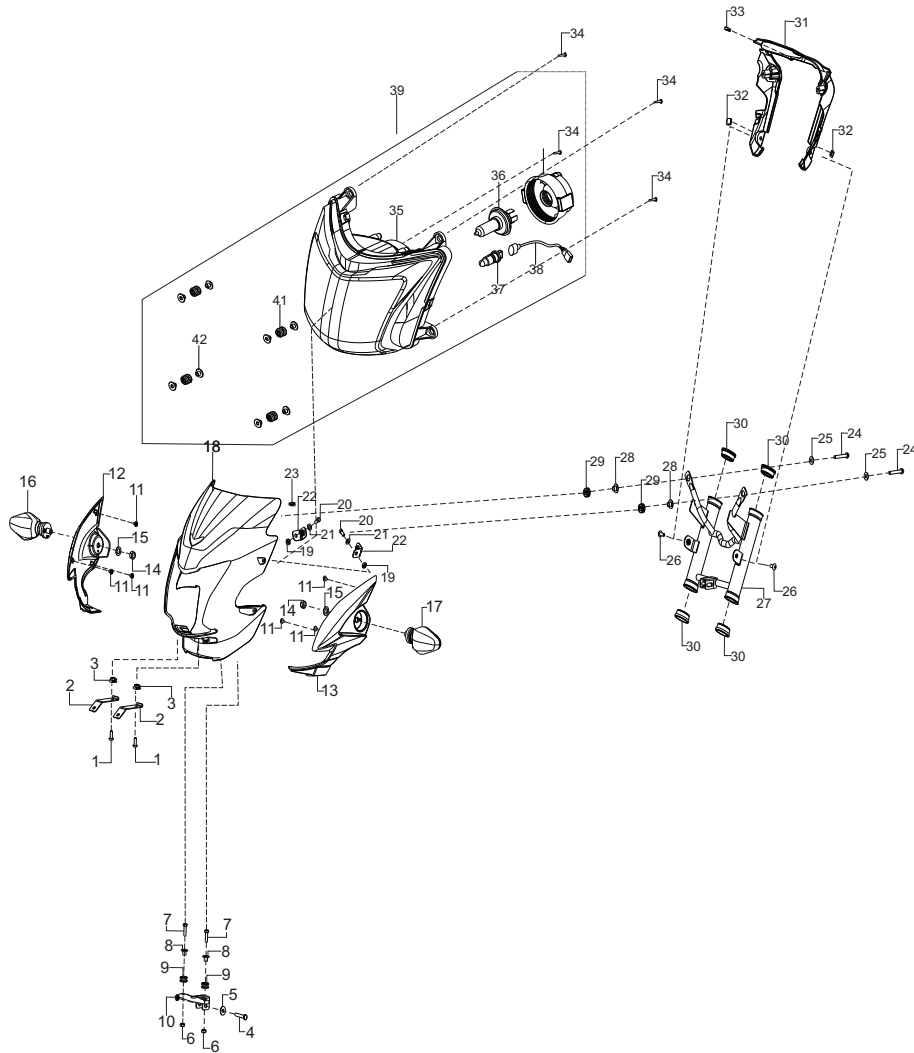


REAR WHEEL ASSEMBLY

FIG. NO. 30

REF. NO.	PART NO.	DESCRIPTION	QTY	REMARKS
26	420305700	HEX NUT M6 8 ZNB	1	
27	N3111370	CHAIN ADJUSTER SUB ASSY L	1	
28	N3111370_1	CHAIN ADJUSTER ASSY	1	
29	0334548	HEXAGONAL NUT M8	4	
30	1181160	WASHER, REAR SPROCKET	2	
31	N4110340	SPROCKET REAR	1	
32	N9110690	SHAFT REAR SPROCKET MTG DRUM	1	
33	1181070	DRUM REAR SPROCKET MTG	1	
34	0331318	BOLT REAR SPROCKET	4	
35	1339120	BALL BEARING 25x52x15	1	
36	1339520	BALL BEARING 15x35x11	1	
37	1181150	SHOCK ABSORBER, REAR WHEEL HUB	1	

HEAD LAMP ASSEMBLY

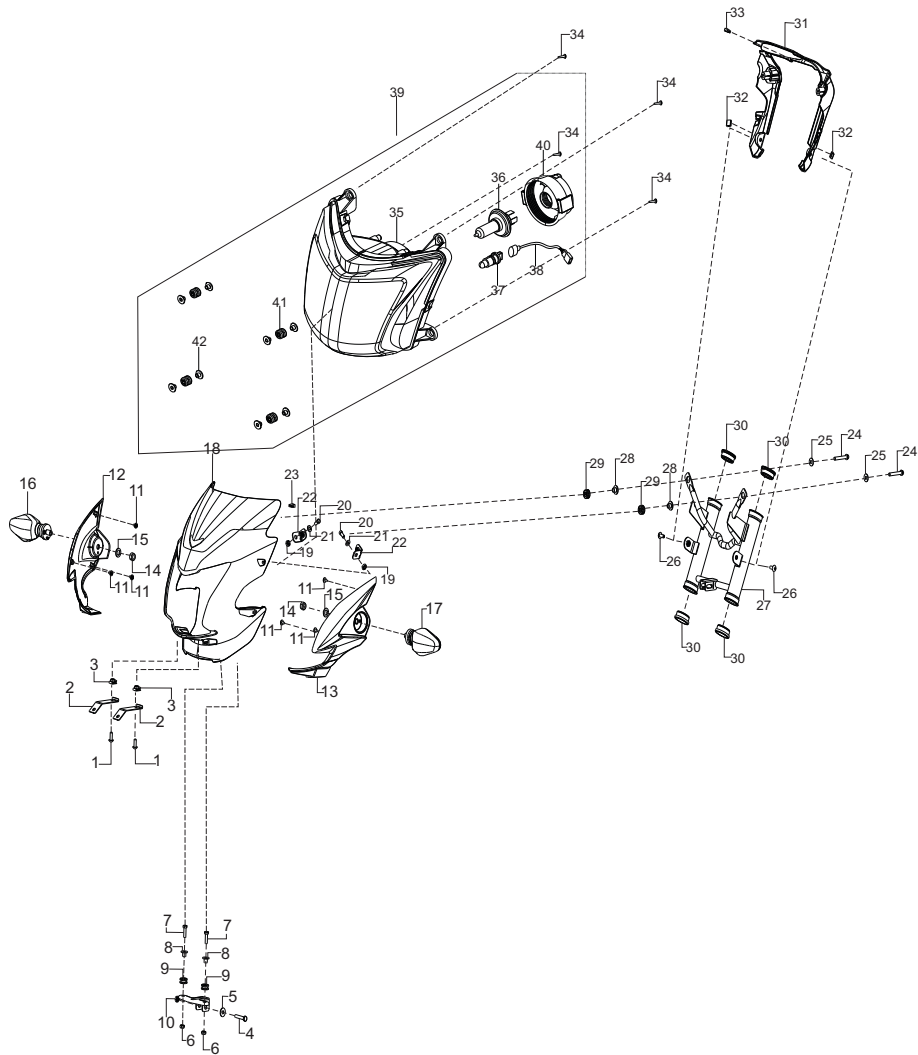


HEAD LAMP ASSEMBLY

FIG. NO. 31

REF. NO.	PART NO.	DESCRIPTION	QTY	REMARKS
1	0332275	CRR PAN HD SCREW M6x16	2	
2	N9225320	BRKT LICENCE PLATE EXP	2	
3	S1200700	RETAINER CLIP COMP. PANEL	2	
4	K200540	HEX SCREW M6X38 8.8 ZNB	1	
5	0335928	PUNCHED WASHER 6.5x18.0x1.6 ZNB	1	
6	420351000	HEX. WELD NUT M6	2	
7	420462700	HEX SCREW M6X20 8.8 ZNB	2	
8	N8122610	CUP WASHER	2	
9	N3120130	GROMMET HEADLAMP	2	
10	N8220970	BRACKET LOWER	1	
11	N3200340	CRR FLANGED PAN HD TAP SCREW ST4.2x13	6	
12	N5226409	HOUSING HEADLAMP R	1	
13	N5226399	HOUSING HEADLAMP L	1	
14	0334038	HEX NUT M10 8 ZNB	2	
15	G5200310	PUNCHED WASHER 10.5x18x1.6	2	
16	N5227130	TURN SIGNAL LAMP ASSY, FR	1	
17	N5227120	TURN SIGNAL LAMP ASSY, FL	1	
18	N5226069	HOUSING HEADLAMP FRONT	1	
19	420351000	HEX. WELD NUT M6	2	
20	420452700	HEX BOLT M6x1.0x12	2	
21	420001	PUNCHED WASHER A6.6	2	
22	M7121680	BRKT COMP HOUSING HEADLAMP	2	
23	N3120600	GROMMET, TAIL COVER	1	
24	N5200160	HEX FL BOLT M6x45	2	
25	G5200300	PUNCHED WASHER 6.5x16x1.2	2	

HEAD LAMP ASSEMBLY

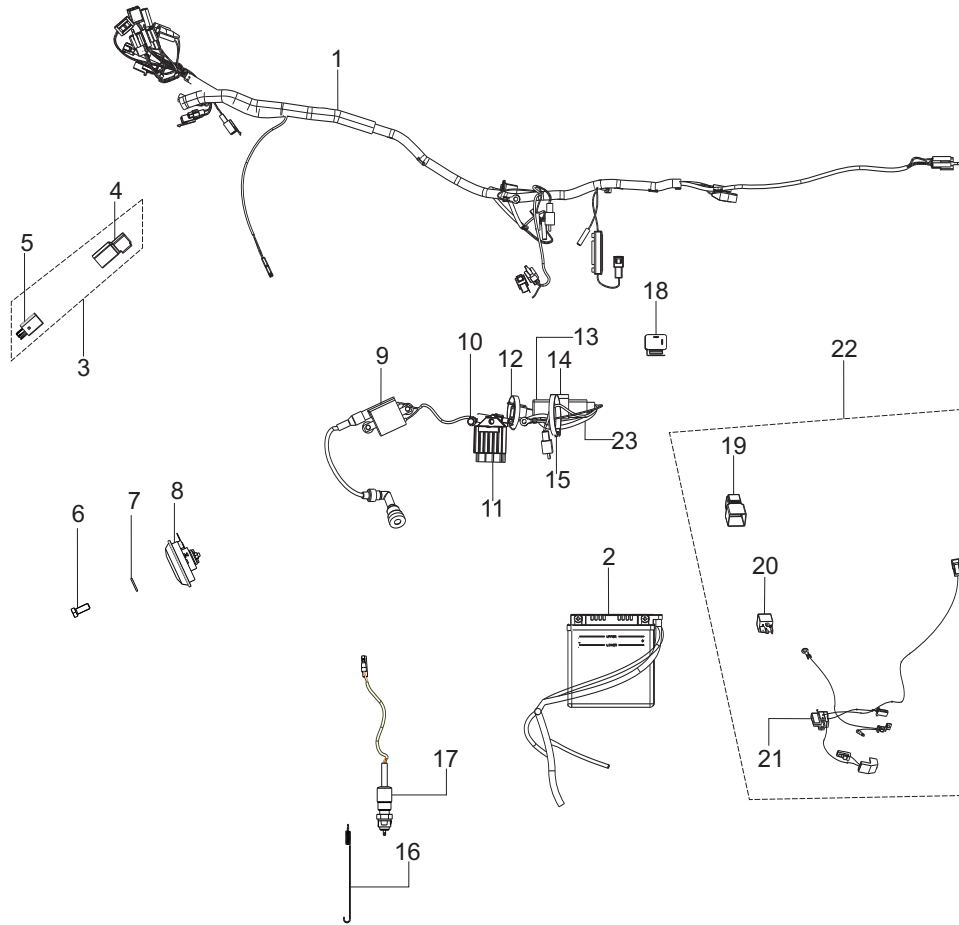


HEAD LAMP ASSEMBLY

FIG. NO. 31

REF. NO.	PART NO.	DESCRIPTION	QTY	REMARKS
26	0332275	CRR PAN HD SCREW M6x16	2	
27	N5226480	HEADLAMP HSG MTG COMP	1	
28	N8122610	CUP WASHER	2	
29	N5120820	GROMMET, HEAD LAMP	2	
30	N3100140	PACKING	4	
31	N5226410	HOUSING HEADLAMP REAR	1	
32	N3120600	GROMMET, TAIL COVER	2	
33	N3120600	GROMMET, TAIL COVER	1	
34	S1201000	CRR PAN HEAD TAP SCR ST 4.2x25	4	
35	N8323990	HEAD LAMP W/O BULB	1	
36	M7160190	BULB, HEAD LAMP (Hs1)	1	
37	N4160320	BULB, POSITION LAMP	1	
38	N8161760	CORD SET POSITION LAMP	1	
39	N8221710	HEADLAMP ASSY	1	
40	N8324800	DUST CAP HEAD LAMP	1	
41	S1160190	GROMMET, HEAD LAMP	4	
42	S1160200	WASHER	8	

GA ELECTRICAL



GA ELECTRICAL

FIG. NO. 32

REF. NO.	PART NO.	DESCRIPTION	QTY	REMARKS
1	N5160730	WIRING HARNESS ES	1	
2	R2160210	BATTERY 5Ah	1	
3	N9161260	RELAY PASS BY ASSY	1	
4	N9161260_1	BOOT RELAY PASSBY	1	
5	N9161260	CONTROL RELAY	1	
6	420454700	HEX SCREW M8x20	1	
7	G5200400	PUNCHED WASHER 8.5x20x2.0	1	
8	N9160850	HORN ASSY, 12V-DC	1	
9	N3060370	IGNITION COIL ASSY.	1	
10	N3200220	HEX FL BOLT M6x1.25x16	1	
11	N3163500	REGULATOR CUM RECTIFIER	1	
12	N3160330	CLAMP WIRING HARNESS	3	
13	N5060400	TCI	1	
14	N6060400_1	BOOT	1	
15	N3160340	CLAMP WIRING HARNESS BIG SIZE	3	
16	N8111110	SPRING STOP LAMP SWITCH	1	
17	N3160250	SWITCH ASSY. STOP LAMP	1	
18	N9160380	ELECTRONIC FLASHER UNIT	1	
19	R3160090	BOOT STARTER RELAY	1	
20	R2160100	RELAY STARTER	1	
21	N8161490_1	CORD SET	1	
22	N8161490	STARTER RELAY ASSY.	1	
23	N5060400	TCI CORD SET	1	



SL No	Part number	Description
1	N4220019CL	FENDER FRONT GREEN
2	N5226399CL	HOUSING HEADLAMP FRONT L GREEN
3	N5226409CL	HOUSING HEADLAMP FRONT R GREEN
4	N81406700DA	FUEL TANK COMP + T.SET BLACK - GREEN
5	N5225990CL	COVER FRAME FRONT R + T.SET GREEN
6	N5225980CL	COVER FRAME FRONT L + T.SET GREEN
7	N52260300DA	TAIL COVER R + T.SET BLACK - GREEN
8	N52260200DA	TAIL COVER L + T.SET BLACK - GREEN
9	N52260490D	TAIL COVER CENTER BLACK



SL No	Part number	Description
1	N42200194C	FENDER FRONT RED
2	N52263994C	HOUSING HEADLAMP FRONT L RED
3	N52264094C	HOUSING HEADLAMP FRONT R RED
4	N81406701F	FUEL TANK COMP + T.SET C WHITE MAX 125
5	N52259904C	COVER FRAME FRONT R + T.SET WHITE - RED
6	N52259804C	COVER FRAME FRONT L + T.SET WHITE - RED
7	N52260301F	TAIL COVER R + T.SET WHITE - RED
8	N52260201F	TAIL COVER L + T.SET WHITE - RED
9	N52260491F	TAIL COVER CENTER C WHITE



SL No	Part number	Description
1	N52287401F	FENDER FRONT C WHITE
2	N5226399CL	HOUSING HEADLAMP FRONT L GREEN
3	N5226409CL	HOUSING HEADLAMP FRONT R GREEN
4	N8140670CL	FUEL TANK COMP BR GREEN
5	N52259900D	COVER FRAME FRONT R +TAPESET BLACK
6	N52259800D	COVER FRAME FRONT L + TAPESET BLACK
7	N52260301FA	TAIL COVER R C WHITE
8	N52260201FA	TAIL COVER L C WHITE
9	N52260490D	TAIL COVER CENTER BLACK



SL No	Part number	Description
1	N52287401F	FENDER FRONT C WHITE
2	N5226399CB	HOUSING HEADLAMP FRONT L BLUE+WHITE
3	N5226409CB	HOUSING HEADLAMP FRONT R BLUE+WHITE
4	N8140670CB	FUEL TANK COMP BLUE+WHITE
5	N52259800DB	COVER FRAME FRONT L + TAPESET BLACK
6	N52259900DB	COVER FRAME FRONT R +TAPESET BLACK
7	N52260201FB	TAIL COVER L C WHITE
8	N52260301FB	TAIL COVER R C WHITE
9	N52260490D	TAIL COVER CENTER BLACK

NUMERICAL INDEX

PART NO.	FIG. NO.	REF. NO.
0074010	7	9
0074010	3	5
0178030	25	7
0254038	12	44
0254088	23	3
0254096	12	38
0330318	17	22
0330328	5	8
0330328	17	19
0330408	1	25
0330408	11	18
0330408	21	7
0331248	25	9
0331708	1	15
0331708	13	1
0331708	17	12
0331718	6	18
0332038	12	3
0332068	11	8
0332078	3	7
0332238	17	18
0332238	22	6
0332248	6	1
0332275	17	9
0332275	19	4
0332275	20	9
0332275	26	24
0334108	1	24
0334268	12	45
0334548	16	11
0335528	17	26
0335558	4	9
0335558	13	2
0335558	17	13
0335558	18	17

PART NO.	FIG. NO.	REF. NO.
0335618	19	5
0335698	25	8
0335928	10	2
0339110	7	5
0339110	3	14
3160424	12	34
3168600	12	35
7130020	20	3
7130020	21	3
8200120	4	17
409047000	12	13
410058700	23	1
420001700	21	6
420001700	25	10
420008700	12	31
420051000	6	14
420051000	23	14
420053700	10	9
420305700	20	13
420305700	25	12
420308700	5	9
420404000	23	6
420464700	3	16
F084010	1	43
420496700	17	20
420515700	14	5
420702000	2	8
420955700	17	23
420957700	12	26
B4220380	21	5
F085230	1	44
K3010410	1	13
F085230	3	10
F200098	4	8
G3320130	9	21

PART NO.	FIG. NO.	REF. NO.
G4010040	4	24
G4010040	3	23
G4040330	8	15
G5200300	20	14
G5200300	21	12
G5200310	10	10
G5200310	20	19
G5200360	12	36
K140820	8	3
K140820	11	1
K150420	12	4
K160240	12	21
K200120	3	8
K200160	17	24
K200320	14	9
K200320	18	8
K200320	20	10
K200320	21	1
K200570	12	32
K200570	17	25
K210800	15	6
K3010470	1	14
K3010680	1	6
K3010640	2	4
K3011090	1	20
K4010040	1	31
K3060190	3	3
K3060260	22	31
K3081320	6	7
K3081500	6	9
K3081530	6	4
K3081750	3	25
K3081880	3	27
K3082010	4	20
K3082170	4	12

NUMERICAL INDEX

PART NO.	FIG. NO.	REF. NO.
K3082170	3	15
K3082190	6	10
K3082760	6	16
K3090380	4	25
K3090380	17	28
K3090380	3	22
K3100830	23	2
K3110690	12	43
K3122140	16	6
K3150250	12	18
K3150270	12	19
K3150570	12	25
K3180280	4	11
K3200090	5	10
K3200420	12	16
K3200640	4	18
K3200660	12	28
K3200730	3	26
K3200760	6	15
K320380	9	25
K320680	9	5
K320780	9	15
K3320310	9	24
K3320340	9	19
K3320480	9	49
K3320500	9	8
K3320510	9	9
K3320530	9	27
K4010080	1	41
K4010100	1	12
K6010200	1	10
K4180090	4	2
M1010490	1	38
K6030250	4	26
K6030250	3	20

PART NO.	FIG. NO.	REF. NO.
K6040770	8	5
K6060120	22	18
K6060200	3	2
K6070390	5	7
K6080430	7	6
K6080440	7	4
K6080550	5	12
K6080590	5	20
K6080610	5	21
K6080630	5	18
K6080640	5	17
K6080750	6	5
K6080870	3	4
K6081200	5	5
K6081370	5	23
K6081380	6	8
K6090590	17	30
K6110840	25	6
K6122340	17	1
K6150190	12	14
K6150200	12	17
K6150210	12	23
K6150239	12	20
K6150249	12	22
K6150250	12	15
K6150270	17	16
K6150270	22	5
K6150350	19	11
K6150350	22	8
K6160400	14	4
K6170100	3	17
K6200060	17	31
K6200080	16	2
K6200110	2	7
K6200160	3	12

PART NO.	FIG. NO.	REF. NO.
K6200200	3	13
K6210100	17	14
K6210140	19	12
K6210140	22	7
K6210480	22	4
K6220910	10	5
K6220950	10	3
K6320590	25	5
M1080500	1	39
M1050310	10	6
M1080370	3	9
M1080400	4	21
M1200510	1	26
M1200430	4	19
M1200470	6	12
M1200470	7	12
M1200470	8	7
M1200530	1	32
M1200510	20	5
M1200510	3	33
M1200520	3	1
M1200520	11	19
M1200530	2	20
M1200530	11	11
M1200530	17	7
M1200660	8	11
M1200660	14	10
M1200670	21	8
M1200730	12	40
M1200770	5	24
M1200810	20	18
M1200820	4	14
M1200890	1	16
M1200890	10	7
M1200900	15	9

NUMERICAL INDEX

PART NO.	FIG. NO.	REF. NO.
M1201060	12	5
M7040060	11	15
M7110280	24	2
M7160120	19	6
N2010340	1	4
N2010350	1	3
N2010620	1	33
N2010690	2	6
N2011040	1	2
N2040940	1	22
N2200150	7	2
N2200340	2	5
N2200450	21	11
N2200490	2	12
N2320220	9	44
N2320310	9	26
N2320330	9	40
N2320340	9	42
N2320420	9	7
N2320610	9	39
N2320630	9	41
N3011140	1	7
N3011370	2	13
N3011600	2	14
N3011780	1	11
N3130040	15	7
N3160340	22	3
N3200010	24	5
N3200220	13	14
N3200220	23	16
N3200250	1	40
N3200340	20	2
N4011100	1	5
N4200130	13	11
N5111200	17	32

PART NO.	FIG. NO.	REF. NO.
N5120820	17	11
N5121610	16	12
N5200270	7	11
N5200500	3	29
N5320300	9	47
N5320400	9	48
N8040250	11	10
N8040340	11	17
N8040350	11	14
N8040370	11	12
N8060170	22	23
N8110710	16	3
N8122610	17	10
N8161720	22	25
N8200060	22	21
N8200080	12	27
N8200090	1	35
N9041670	11	4
N9111300	26	36
N9111320	26	22
N9111330	26	21
N9112880	24	9
N9122440	12	8
N9150700	12	7
N9160380	22	11
N9160840	22	16
N9200010	16	9
N9200010	10	14
N9321490	26	1
N9321510	26	12
N9321520	26	17
N9321530	26	7
N9321540	26	21
N9321550	26	26
N9321570	26	30

PART NO.	FIG. NO.	REF. NO.
N9321600	26	28
P080610	6	6
P100480	8	4
P1040220	11	5
P1200150	4	10
P150280	10	4
P200480	10	8
P200530	10	11
P6010060	1	34
P6040110	8	14
R1010800	1	37
R1011120	2	17
R1011180	2	10
R1011200	1	36
R1040460	8	12
R1060200	22	19
R11000607D	23	33
R1100120	23	9
R1100140	23	10
R11001807D	23	34
R1100290	23	4
R11003007D	23	18
R11003107D	23	30
R1100320	23	29
R1100330	23	27
R1100340	23	28
R1100350	23	26
R1100360	23	21
R1100370	23	25
R1100380	23	24
R1100390	23	23
R1100400	23	22
R1100410	23	19
R1100420	23	20
R1100430	23	31

NUMERICAL INDEX

PART NO.	FIG. NO.	REF. NO.
R1100440	23	32
R1110430	24	3
R1110540	24	4
R1110580	24	11
R1110650	26	25
R1110660	24	10
R1121210	23	8
R1121310	20	7
R1121320	20	6
R1121330	20	4
R1121420	16	10
R1122340	17	4
R1130090	15	12
R1130110	15	11
R1130150	15	5
R1140220	13	13
R1140260	13	5
R1140340	8	17
R1140340	13	10
R1140350	13	15
R1140410	13	7
R1140440	8	13
R1140440	13	8
R1150270	12	6
R1150390	12	10
R1150390	26	20
R1150530	12	33
R1150900	12	12
R1160130	14	12
R1160150	18	5
R1160170	18	6
R1160170	21	16
R1160190	14	2
R1160200	14	1
R1160220	14	3

PART NO.	FIG. NO.	REF. NO.
R1160230	14	8
R1160260	22	30
R1160720	21	14
R1170040	18	16
R1200160	23	13
R1200260	23	15
R1200310	22	15
R1200380	14	19
R1200390	10	1
R1200410	1	42
R1200450	14	6
R1200500	13	4
R1200500	17	2
R1211580	19	8
R1220360	14	16
R1220360	17	5
R1220360	20	15
R1220590	21	13
R1220770	14	13
R1300050	19	10
R1300060	19	9
R1320180	18	9
R1320190	18	10
R1320240	12	11
R1320240	26	14
R1320290	18	12
R1320310	9	36
R1320320	9	37
R1320340	9	45
R1320360	9	2
R1320370	9	4
R1320390	9	28
R1320420	9	23
R1320430	9	18
R1320440	9	16

PART NO.	FIG. NO.	REF. NO.
R1320460	9	35
R1320470	9	33
R1320480	9	34
R1320490	9	29
R1320500	9	30
R1320510	9	32
R1320580	9	43
R1320640	19	13
R1320730	18	13
R1320740	18	14
R1321000	2	2
R1321010	2	2A
R1321020	2	2B
R1321080	23	11
R1321170	16	8
R1321340	22	12
R1321380	22	10
R1321390	22	2
R1321540	9	3
R1321550	9	10
R1321570	9	22
R1321600	9	20
R1321620	9	31
R1321630	9	12
R1321640	9	11
R1321650	9	13
R1321660	9	14
R1321670	9	1
R1321760	9	17
R1321800	9	46
R2040400	8	1
R2040400	11	3
R2130060	15	10
R2210090	27	1
R2220820	12	1

NUMERICAL INDEX

PART NO.	FIG. NO.	REF. NO.
R2220830	12	2
R3150030	12	37
R3150040	12	9
R3160090	22	13
R3160140	22	14
R3220640	14	14
R3320440	9	38
R3320450	22	26
R3320460	22	28
R3320470	22	29
R3320480	22	27
R4010040	2	15
R4010060	2	11
R4010070	2	3
R4010100	2	1
R4020010	2	9
R4020050	2	18
R4030040	4	22
R4030050	7	10
R4030070	7	8
R4030100	3	30
R4030110	6	11
R4030130	3	32
R4030150	3	21
R4030180	6	3
R4040010	8	19
R4040020	9	50
R4040040	1	27
R4040060	8	6
R4040070	8	10
R4040110	8	9
R4040120	8	8
R4040150	11	2
R4040160	11	16
R4040250	1	23

PART NO.	FIG. NO.	REF. NO.
R4040260	8	2
R4040270	8	16
R4040280	1	28
R4040300	11	13
R4040310	11	7
R4040320	11	9
R4040330	11	6
R4040350	8	18
R4050020	10	15
R4050030	10	12
R4060010	4	15
R4060030	22	20
R4060100	22	17
R4070020	5	4
R4070030	5	6
R4080030	7	1
R4080070	6	2
R4080120	3	28
R4080140	6	19
R4080180	6	17
R4080230	5	1
R4080240	5	22
R4080280	5	19
R4080330	7	3
R4080340	5	13
R4080350	5	11
R4080360	5	16
R4080370	5	15
R4080380	5	2
R4080400	5	3
R4080410	5	14
R4080420	3	6
R4090010	17	21
R4090020	17	27
R4090050	17	29

PART NO.	FIG. NO.	REF. NO.
R4100010	23	12
R4110020	24	12
R4110040	25	13
R4110060	24	8
R4110070	25	4
R4110080	24	7
R4110090	25	3
R4110120	24	6
R4110160	23	17
R4110180	25	11
R4120010	17	17
R4120220	16	1
R4120280	16	4
R4120330	20	8
R4120360	16	7
R4120610	17	3
R4120760	17	6
R4120790	3	19
R4120810	3	18
R4130020	15	1
R4130030	15	4
R4130040	15	3
R4130050	15	2
R4130070	15	8
R4140030	13	12
R4140040	13	16
R4140060	13	6
R4140260	13	9
R4150030	12	30
R4150210	19	14
R4160020	22	1
R4160030	13	3
R4160040	22	24
R4160060	14	11
R4160070	18	15

PT TVS Motor Company Indonesia

Sales & Marketing Office:

Gedung Wirausaha Lantai 3 Jl. HR Rasuna Said Kav. C-5

Kuningan, Jakarta 12920, Indonesia

Telp: + 62 21 300 20570 Fax: +62 21 300 20576 www.tvsmotor.co.id

Pabrik:

Kawasan Industri Surya Cipta, Jl. Surya Madya Kav. 1-30,

Desa Kutanegara, Ciampel, Karawang 41361, Jawa Barat, Indonesia

Telp: + 62 267 8610125 Fax: + 62 27 8610124