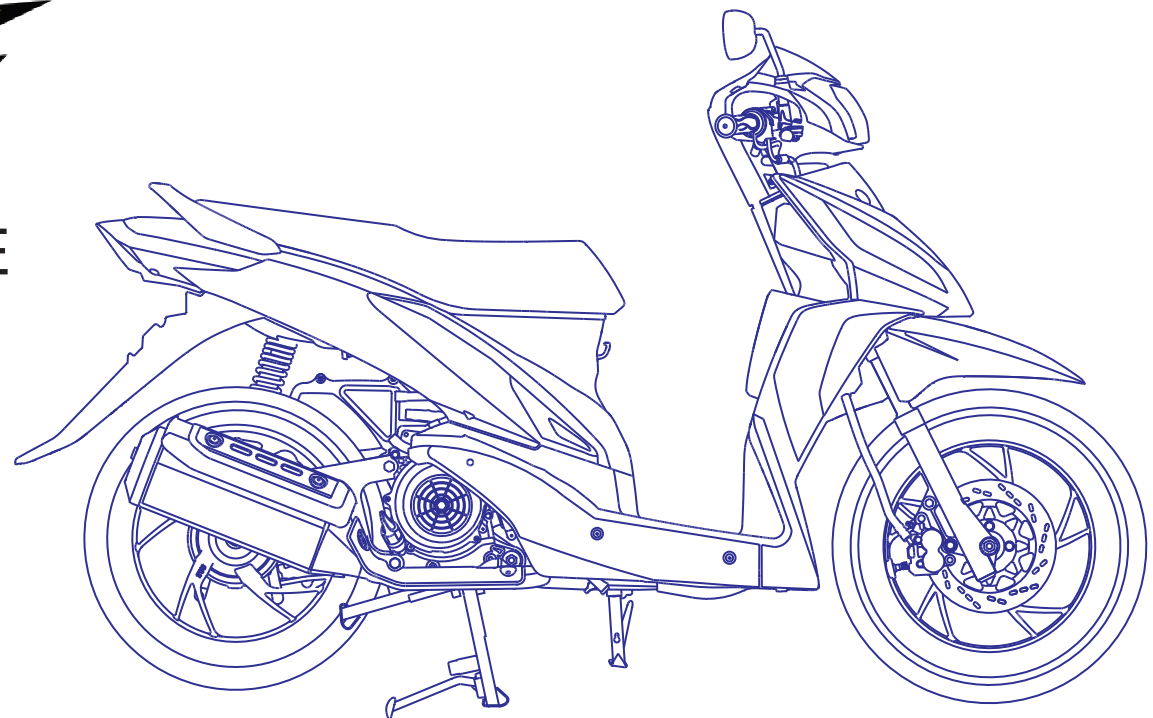




PARTS CATALOGUE



NOTICE

The description and illustrations in this booklet are not to be taken as binding on the manufactures. The essential features of the type described and illustrated herein remains unaltered, PT TVS MOTOR COMPANY INDONESIA, reserves the right to carry out any moment, without being obliged to bring this booklet up-date modifications, on the vehicle, parts of accessories, as may be convenient and necessary.

FOREWORD

We have great pleasure in releasing the first edition of TVS Dazz Parts catalogue. This catalogue is designed to assist you to select correct parts for ordering.

TVS Genuine parts have a rigorous standard of quality check at various stages. So while it becomes important to use only TVS Genuine parts. In continues efforts in improving the performance and efficiency of the vehicle, design, specifications, diagram/illustrations and part numbers can change without any notice. It is your responsibility to get your parts catalogue updated through the information given to you from PTTVS Motor Company.

While ordering parts please ensure that correct part number, description and quantity are specified clearly.

Please note that the drawings and illustrations used in this parts catalogue are only a reference for the dealer to order spare parts. This cannot be used for anything related to repair/maintanance. For such purpose please refer Dazz service manual.

This parts catalogue is exclusively for PTTVS Motor Company authorised outlets only.

In case of assistance please contact us.

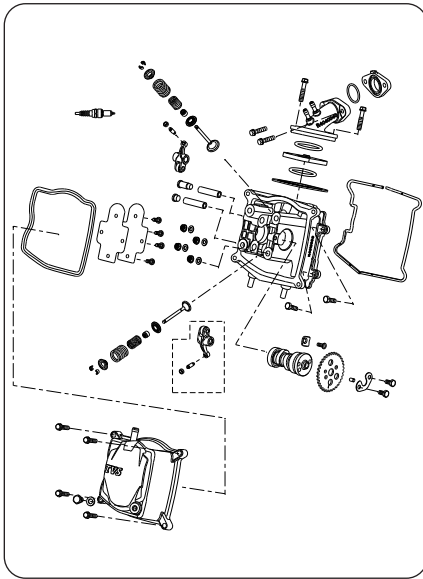
PT TVS MOTOR COMPANY INDONESIA

KATA PENGANTAR

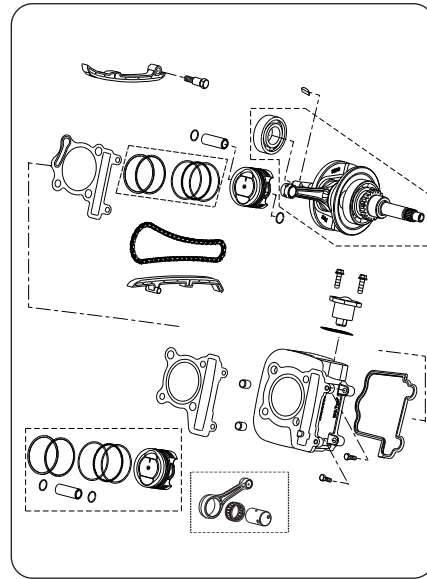
CHAPTER INDEX

Fig. No.	Chapter	Page No.	Fig. No.	Chapter	Page No.
	Foreword	I	21	Style Parts - II	28
01	Cylinder Head Assembly.....	01	22	Electrical	29
02	Cylinder block & Crankshaft Assembly	03	23	Front Suspension.....	31
03	Crankcase Assembly L	05	24	Front Wheel Assembly.....	33
04	Crankcase Assembly R	07	25	Rear Wheel Assembly.....	34
05	CVT Assembly.....	09	26	Disc Brake Assembly (Front)	35
06	Cover Variator & KS Assembly.....	10	27	Tool Kit	37
07	Gear Case Assembly.....	11	28	Painted Parts.....	38
08	Air Cleaner Assembly.....	12		Kit Details.....	40
09	Carburettor Assembly.....	13		Numerical Index.....	43
10	Muffler Assembly.....	15			
11	Secondary Air Injection Assembly.....	16			
12	Handle Bar Assembly	17			
13	Fuel Tank Assembly.....	19			
14	Headlamp Assembly	20			
15	Seat Assembly	21			
16	Center Stand & Prop stand.....	22			
17	Frame Assembly.....	23			
18	Tail lamp & Speedometer Assembly.....	25			
19	Rear Fender Assembly.....	26			
20	Style parts I.....	27			

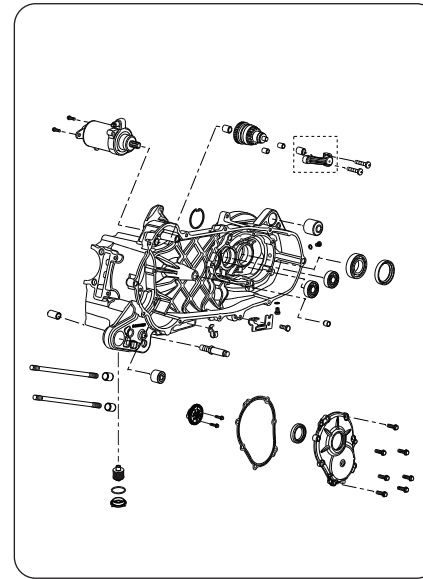
CHAPTER INDEX



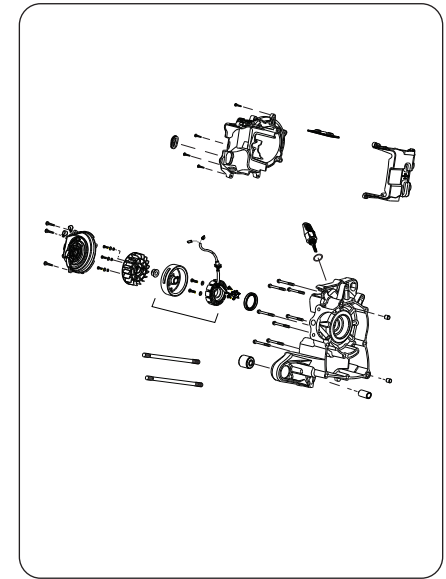
CYLINDER HEAD ASSEMBLY
FIG. NO. 01 on PAGE NO. 01



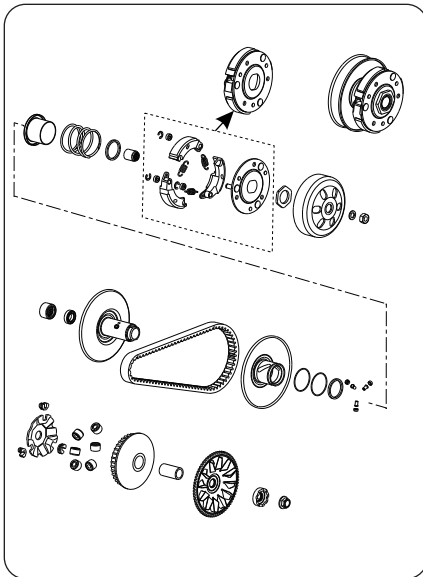
CYLINDER BLOCK & CRANKSHAFT ASSY
FIG. NO. 02 on PAGE NO. 03



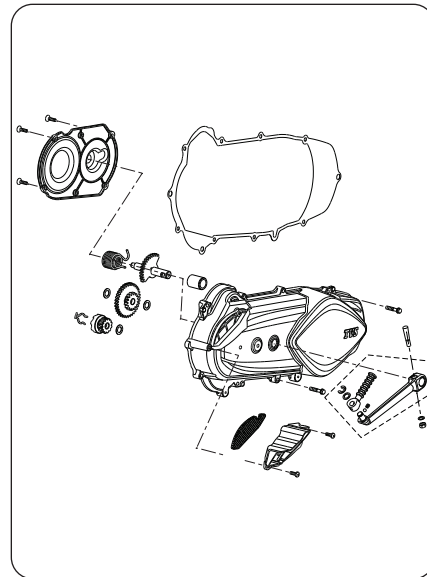
CRANKCASE ASSEMBLY L
FIG. NO. 03 on PAGE NO. 05



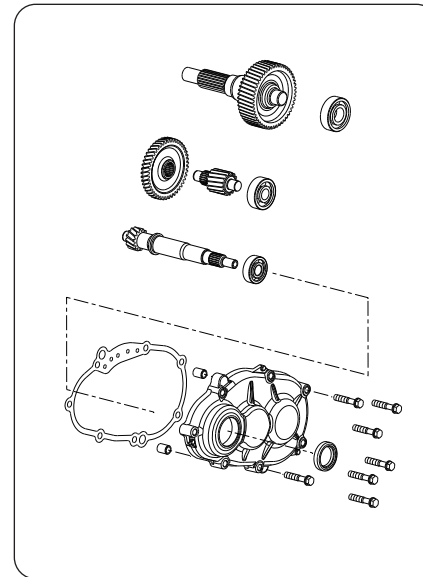
CRANKCASE ASSEMBLY R
FIG. NO. 04 on PAGE NO. 07



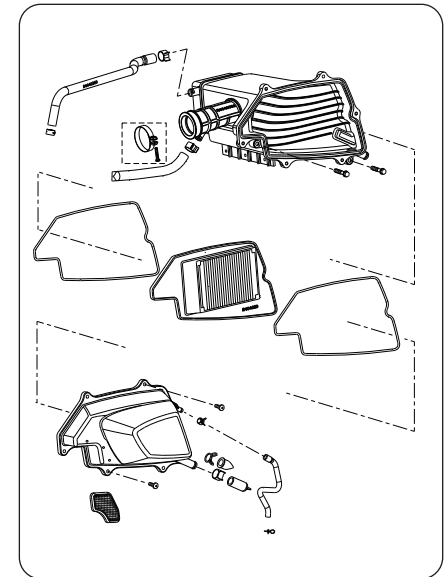
CVT ASSEMBLY
FIG. NO. 05 on PAGE NO. 09



COVER VARIATOR & KICK STARTER ASSEMBLY
FIG. NO. 06 on PAGE NO. 10

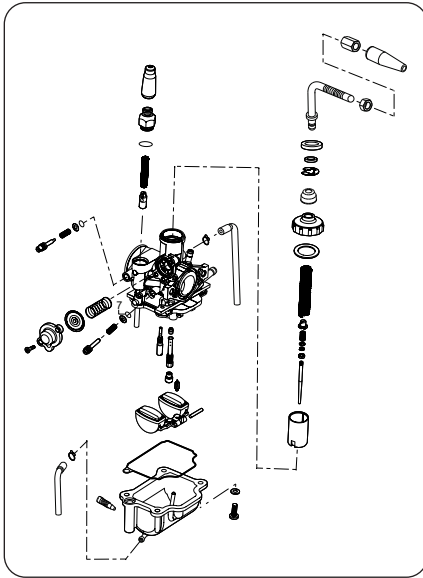


GEARCASE ASSEMBLY
FIG. NO. 07 on PAGE NO. 11

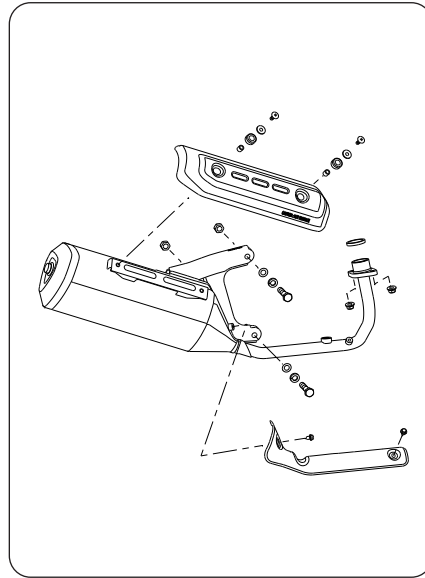


AIR CLEANER ASSEMBLY
FIG. NO. 08 on PAGE NO. 12

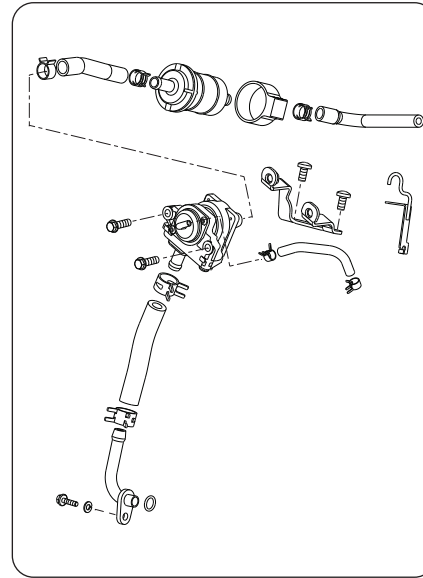
CHAPTER INDEX



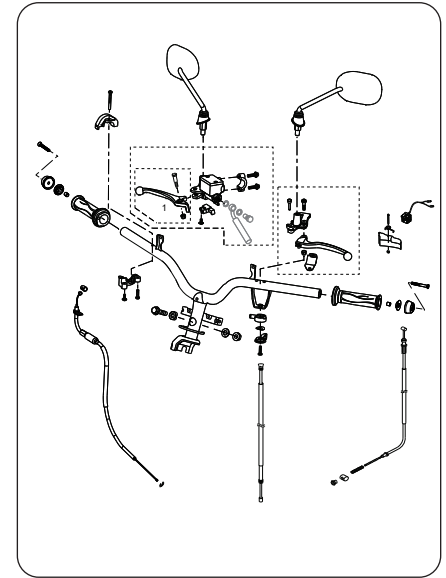
CARBURETTOR ASSEMBLY
FIG. NO. 09 on PAGE NO. 13



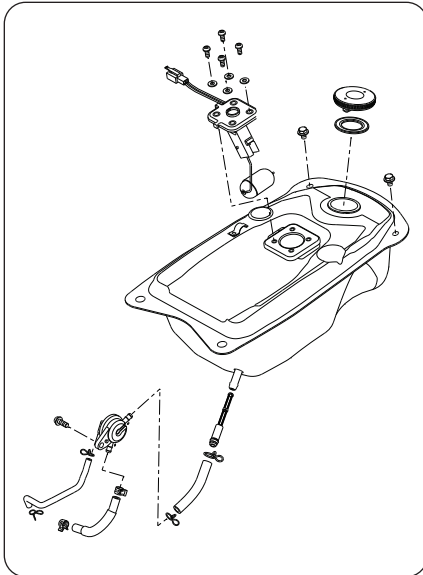
MUFFLER ASSEMBLY
FIG. NO. 10 on PAGE NO. 15



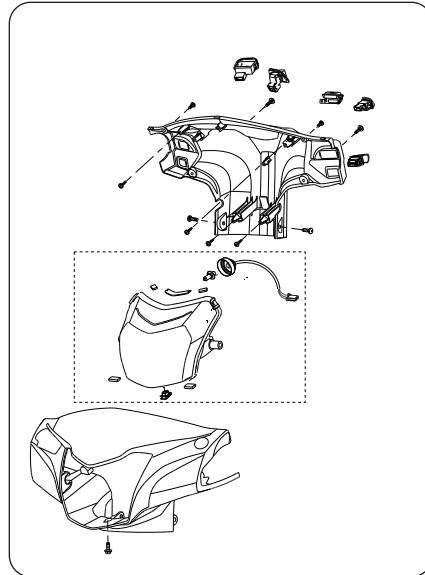
SAI ASSEMBLY
FIG. NO. 11 on PAGE NO. 16



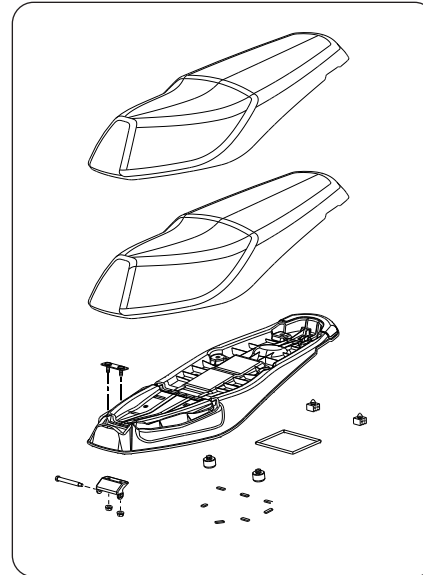
HANDLE BAR ASSEMBLY
FIG. NO. 12 on PAGE NO. 17



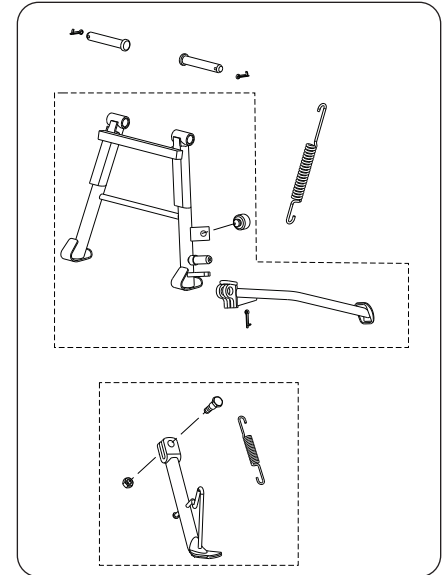
FUEL TANK ASSEMBLY
FIG. NO. 13 on PAGE NO. 19



HEAD LAMP ASSEMBLY
FIG. NO. 14 on PAGE NO. 20

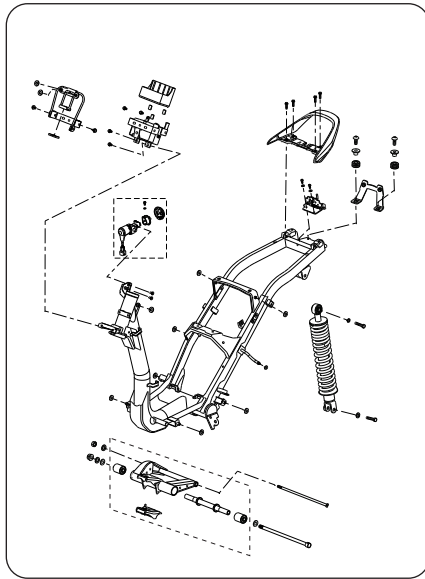


SEAT ASSEMBLY
FIG. NO. 15 on PAGE NO. 21

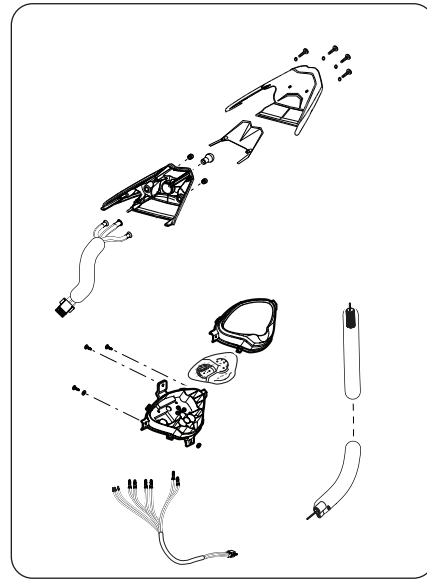


CENTER STAND & PROP STAND ASSY
FIG. NO. 16 on PAGE NO. 22

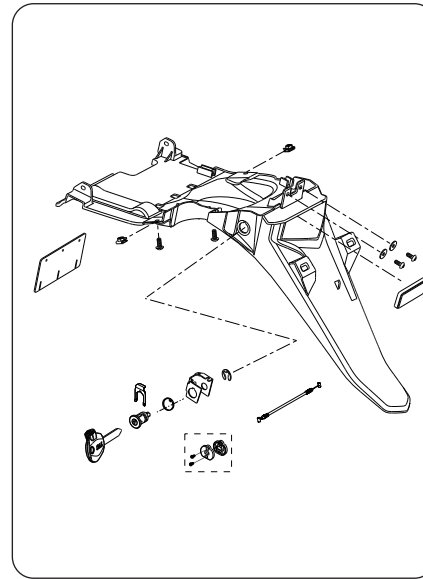
CHAPTER INDEX



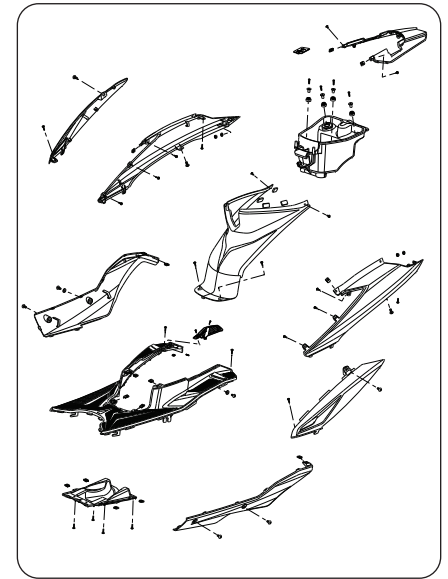
FRAME ASSEMBLY
FIG. NO. 17 on PAGE NO. 23



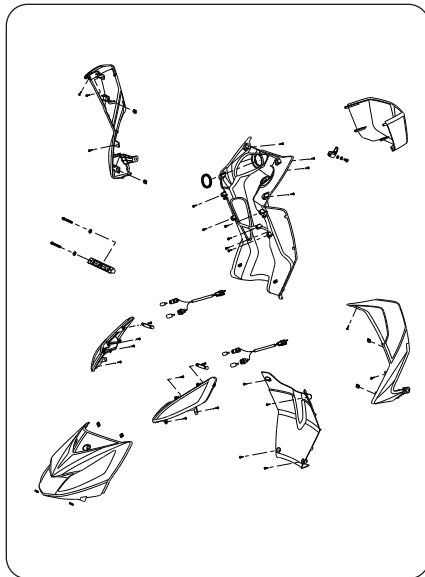
TAIL LAMP & SPEEDOMETER ASSY
FIG. NO. 18 on PAGE NO. 25



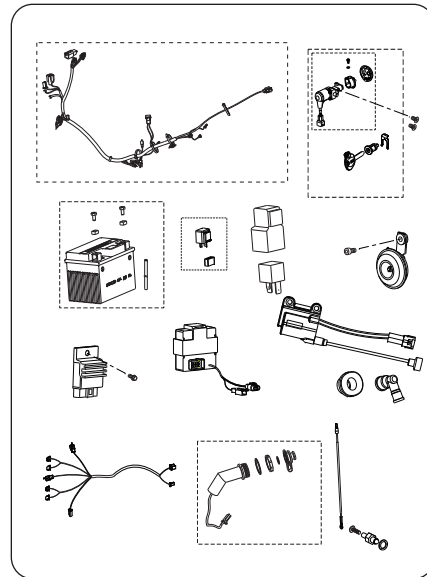
REAR FENDER ASSEMBLY
FIG. NO. 19 on PAGE NO. 26



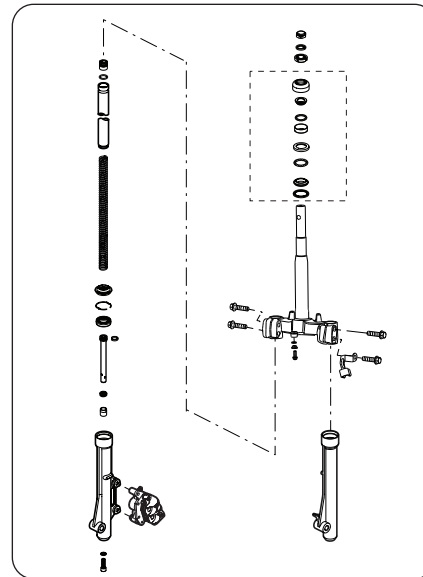
STYLE PARTS - I
FIG. NO. 20 on PAGE NO. 27



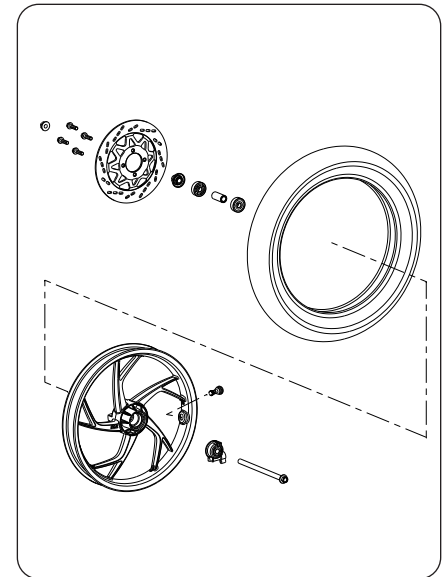
STYLE PARTS - II
FIG. NO. 21 on PAGE NO. 28



ELECTRICAL
FIG. NO. 22 on PAGE NO. 29

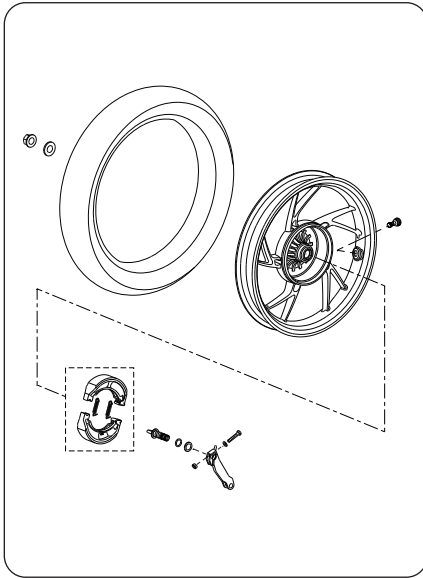


FRONT SUSPENSION ASSEMBLY
FIG. NO. 23 on PAGE NO. 31

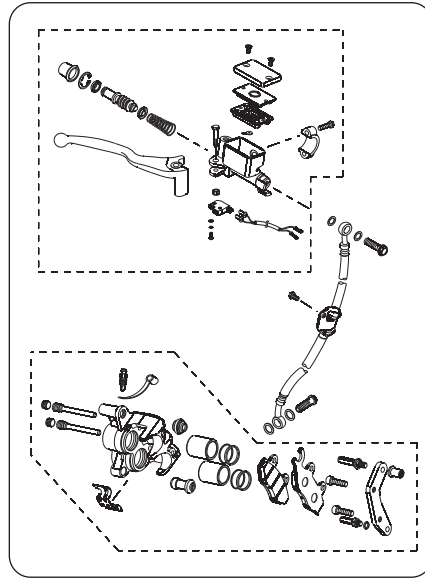


FRONT WHEEL ASSEMBLY
FIG. NO. 24 on PAGE NO. 33

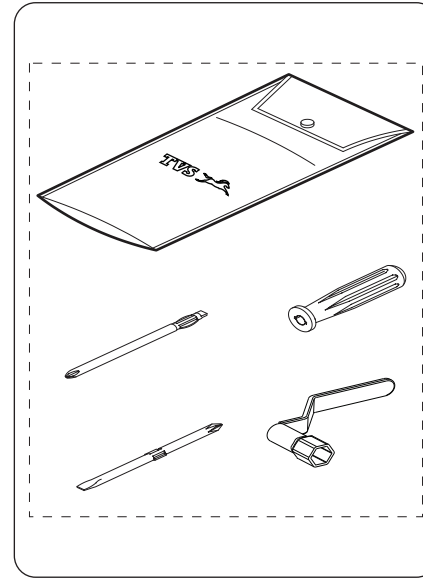
CHAPTER INDEX



REAR WHEEL ASSEMBLY
FIG. NO. 25 on PAGE NO. 34



DISC BRAKE ASSEMBLY (FRONT)
FIG. NO. 26 on PAGE NO. 35



TOOL KIT
FIG. NO. 27 on PAGE NO. 37

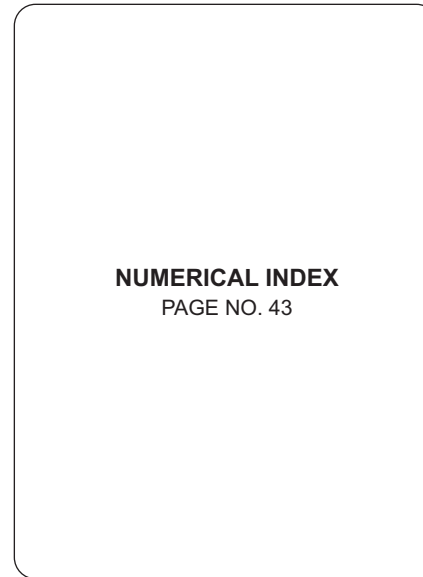


REPLACE THIS IMAGE

PAINTED PARTS
PAGE NO.38 & 39

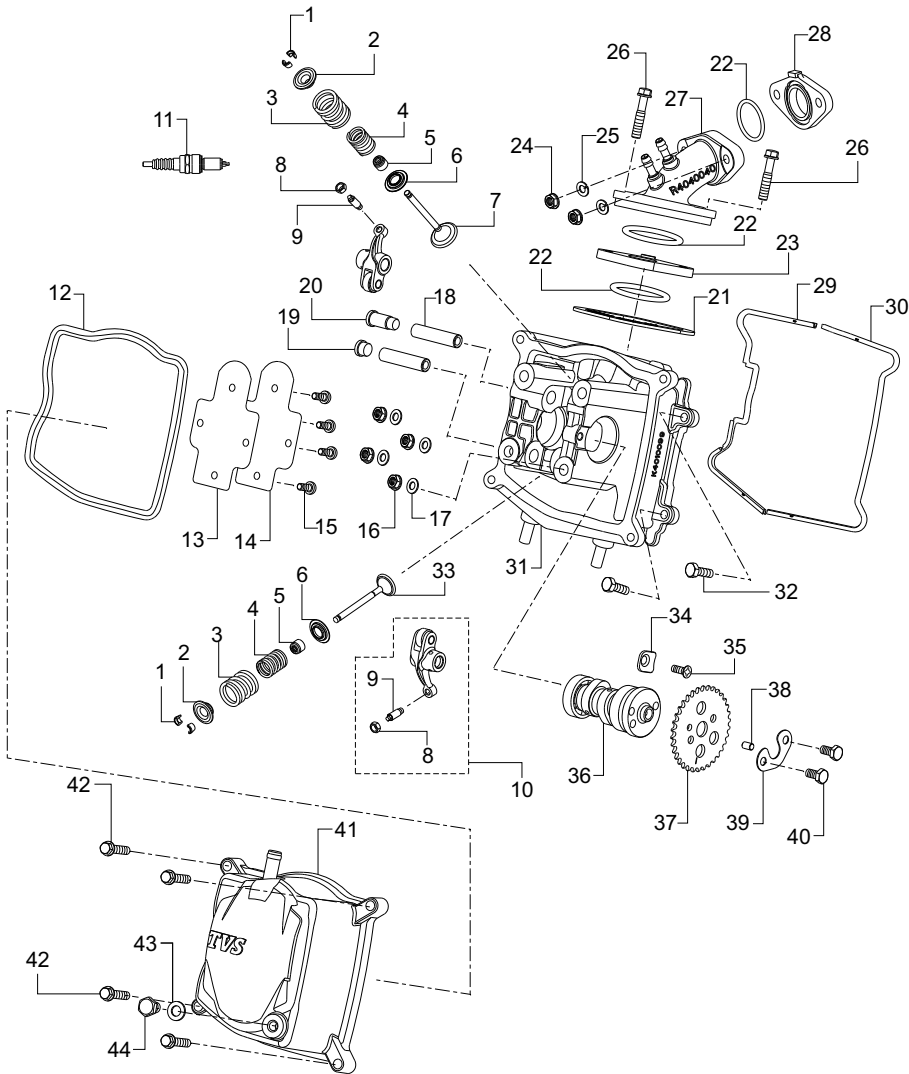


KIT DETAILS
PAGE NO. 40



NUMERICAL INDEX
PAGE NO. 43

CYLINDER HEAD ASSEMBLY

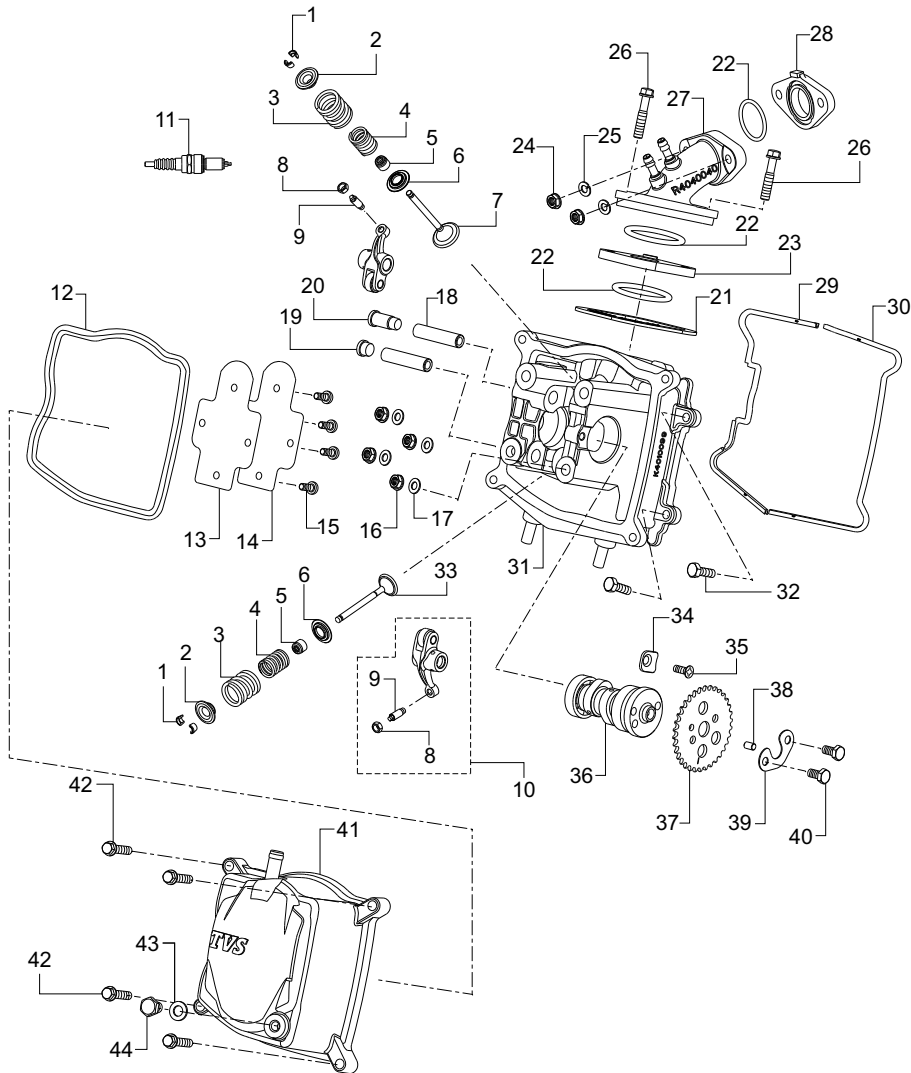


CYLINDER HEAD ASSEMBLY

FIG. NO.01

REF. NO.	PART NO.	DESCRIPTION	QTY	REMARKS
1	S1010320	COTTER VALVE	4	
2	N2011040	RETAINER VALVE SPRING	2	
3	N2010350	SPRING VALVE OUTER	2	
4	N2010340	SPRING VALVE INNER	2	
5	N4011100	VALVE STEM OIL SEAL	2	
6	K3010680	SEAT VALVE SPRING	2	
7	N3011140	VALVE INTAKE NEW	1	
8	S1010250	NUT - TAPPET ADJUSTING	2	
9	S1010240	SCREW - TAPPET ADJUSTING	2	
10	K6010200	ARM COMP ROCKER	2	
11	N3011780	SPARK PLUG - UR4KC	1	
12	K4010100	PACKING SEAL COVER CYLINDER HEAD	1	
13	K3010410	GASKET PLATE BREATHER	1	
14	K3010470	PLATE BREATHER	1	
15	0331708	CRPH SCR M5x12 6.8 ZNB	4	
16	M1200890	U NUT M8x1.25	4	
17	S1010130	WASHER CYL. HEAD	4	
18	T4010760	SHAFT ROCKER ARM	2	
19	T4010320	PLUG STUD HOLE	1	
20	K3011090	STOPPER ROCKER SHAFT	1	
21	R4180130	GROMMET PIPE INTAKE	1	
22	N2040940	'O' RING PIPE INTAKE	2	
23	R4040250	INSULATOR PAD	1	
24	0334108	HEX NUT M6	2	
25	0330408	WAVE SPRING WASHER M6 ZNB	2	

CYLINDER HEAD ASSEMBLY

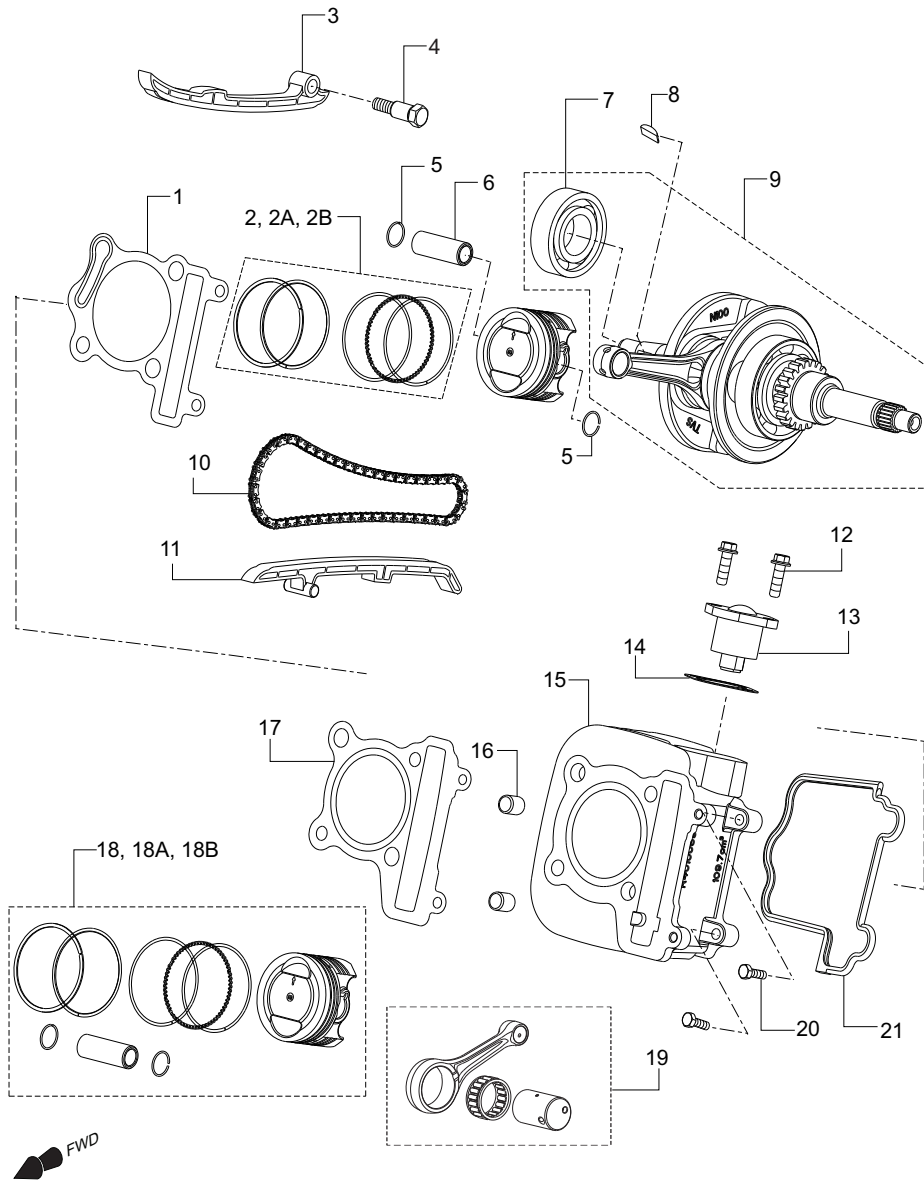


CYLINDER HEAD ASSEMBLY

FIG. NO. 01

REF. NO.	PART NO.	DESCRIPTION	QTY	REMARKS
26	M1200510	HEX FLANGE BOLT M6x25	2	
27	R4040040	PIPE INTAKE COMP	1	
28	R4040280	INSULATOR PAD 1	1	
29	R4180110	BEADING COWL R	1	
30	R4180100	BEADING COWL L	1	
31	K4010040	CYLINDER HEAD COMP	1	
32	420476700	HEX SCREW M6x30- IS: 1364-(PART-2)-A-8.8	2	
33	N2010620	VALVE EXHAUST	1	
34	P6010060	STOPPER CAMSHAFT	1	
35	N8200090	REC CSK SCREW M5x15	1	
36	R1011200	CAMSHAFT COMP	1	
37	R1010800	SPROCKET 34T CAMCHAIN DRIVEN	1	
38	M1010490	PIN SPROCKET KNOCK	1	
39	M1080500	WASHER SPROCKET	1	
40	N3200250	HEX SCREW M6x10-8.8	2	
41	K4010080	COVER CYL HEAD	1	
42	R1200410	HEX FL BOLT M6x30	4	
43	F084010	GASKET RING OIL DRAIN	1	
44	F085230	BOLT OIL DRAIN	1	
45	R4180010	ENGINE ASSY 110cc	1	

CYLINDER BLOCK & CRANKSHAFT ASSY

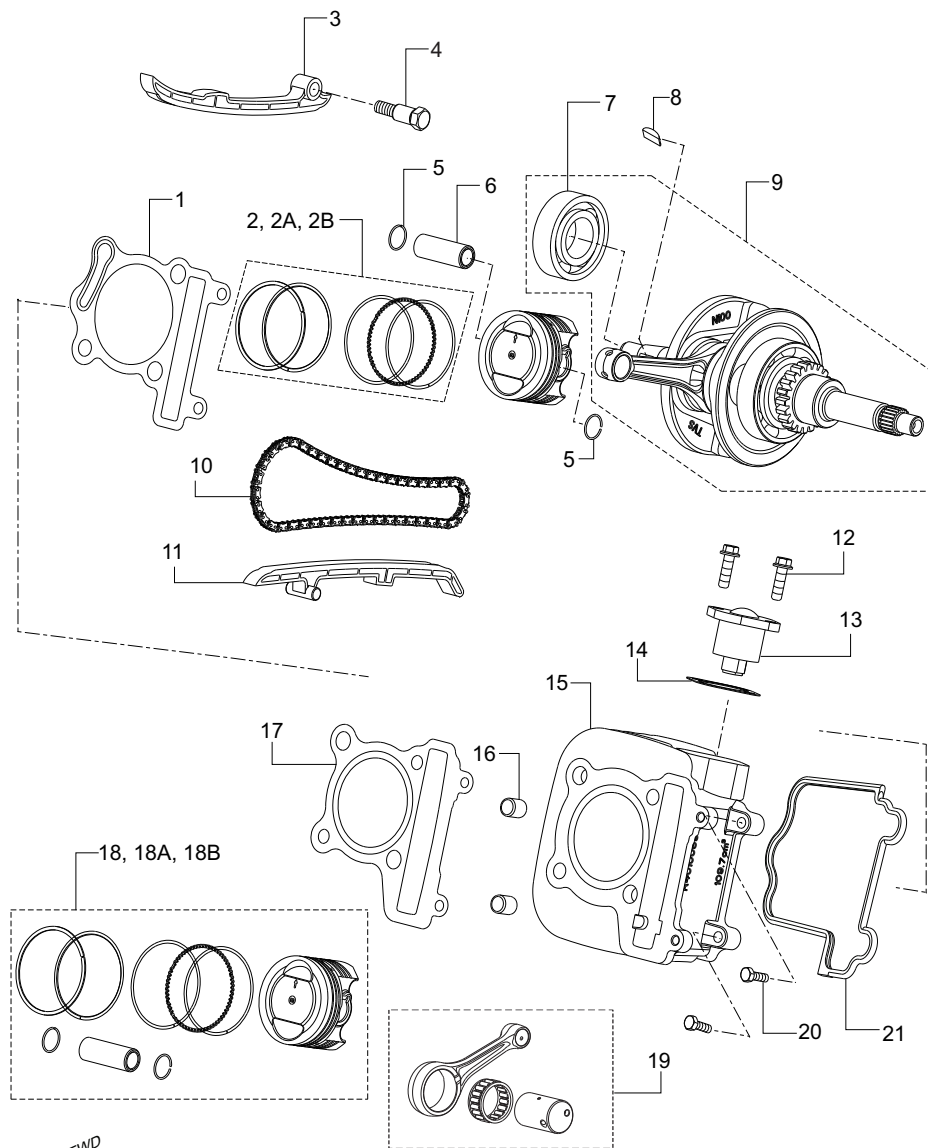


CYLINDER BLOCK & CRANKSHAFT ASSY

FIG. NO. 02

REF. NO.	PART NO.	DESCRIPTION	QTY	REMARKS
1	R4010100	GASKET CYLINDER	1	
2	R1321000	RING SET PISTON STD	1	
2A	R1321010	RING SET PISTON I O/S	1	
2B	R1321020	RING SET PISTON II O/S	1	
3	R4010070	TENSIONER CAMCHAIN	1	
4	K3010640	BOLT CHAIN TENSIONER	1	
5	N2200340	CIRCLIP PIN PISTON	2	
6	N2010690	PISTON PIN	1	
7	K6200110	BALL BEARING 6205Z 25x52x15	1	
8	420702000	WOODRUFF KEY	1	
9	R4020010	CRANKSHAFT COMP	1	
10	R1011180	CHAIN CAMSHAFT (90LINKS)	1	
11	R4010060	GUIDE CAMCHAIN	1	
12	N2200490	FLANGE BOLT M6x20 ZNG	2	
13	N3011370	ADJUSTER TENSIONER	1	
14	N3011600	GASKET TENSIONER ADJUSTOR	1	
15	R4010040	CYLINDER COMP	1	
16	S1200270	TUBULAR DOWEL	2	
17	R1011120	GASKET CYL HEAD	1	
18	R4020050	PISTON ASSY WITH RINGS	1	
18A	R4320130	PISTON KIT I O/S	1	
18B	R4320140	PISTON KIT II O/S	1	
19	R4320170	CONE ROD KIT	1	
20	M1200530	HEX FLANGE BOLT M6x20	2	
21	R4180080	BEADING COWL DEFLECTOR	1	

CYLINDER BLOCK & CRANKSHAFT ASSY

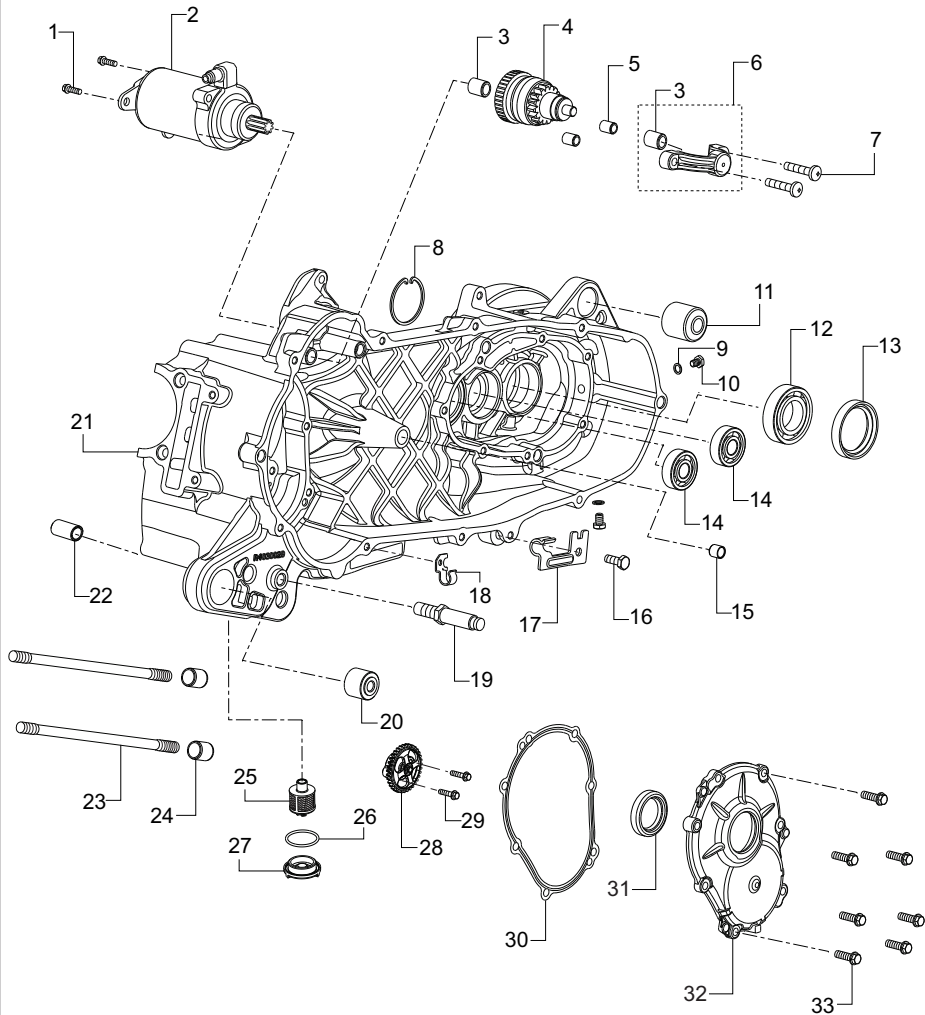


CYLINDER BLOCK & CRANKSHAFT ASSY

FIG. NO. 02

REF. NO.	PART NO.	DESCRIPTION	QTY	REMARKS
22	R4320180	CYLINDER BLOCK & PISTON KIT	1	

CRANKCASE ASSEMBLY L

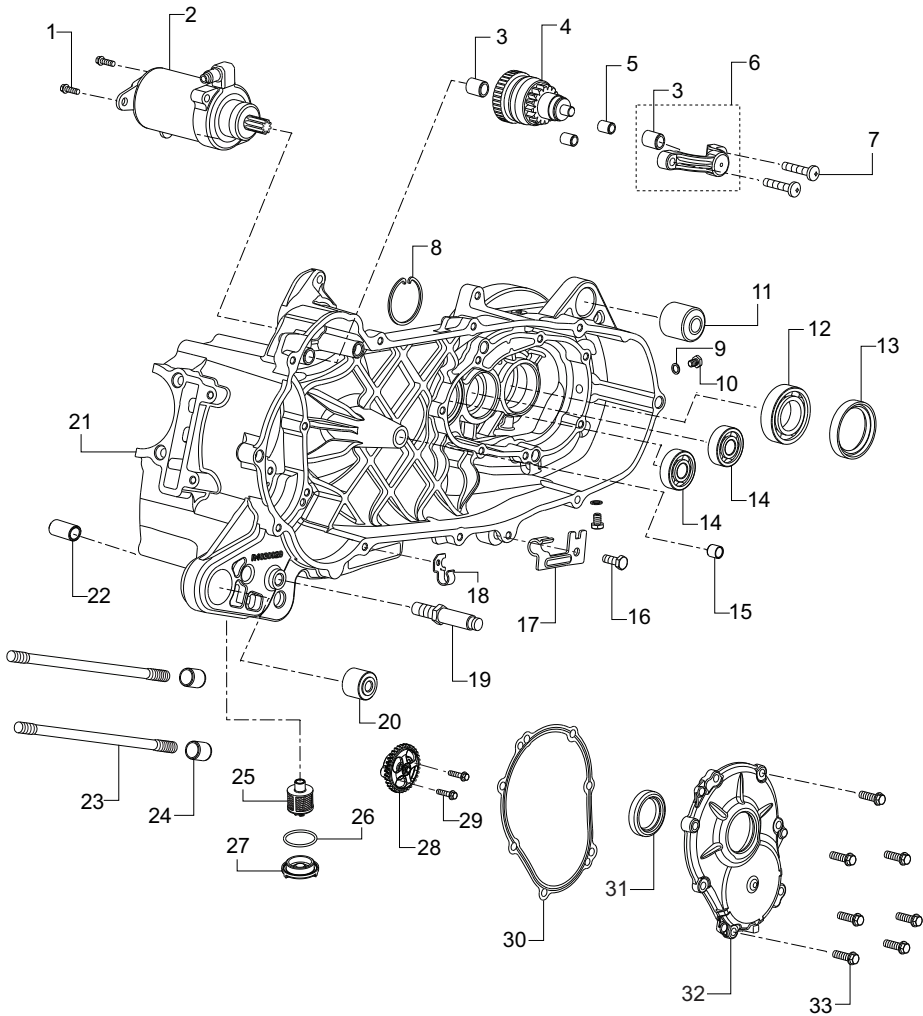


CRANKCASE ASSEMBLY L

FIG. NO. 03

REF. NO.	PART NO.	DESCRIPTION	QTY	REMARKS
1	M1200520	HEX FL BOLT M6x16	2	
2	K6060200	STARTER MOTOR ASSY	1	
3	K3060190	BUSH BENDIX	2	
4	K6080870	BENDIX DRIVE	1	
5	0074010	DOWEL PIN	2	
6	R4080420	BRKT BENDIX MTG COMP	1	
7	0332078	CRPH SCR M6x30 6.8 ZNB	2	
8	K200120	CIRCLIP 47x2 H IS:3075 INT (TSDS-0411)	1	
9	M1080370	GASKET OIL PIPE UNION	2	
10	F085230	BOLT OIL DRAIN	2	
11	S1090500	SILENT BLOCK SHOCK ABSORBER	1	
12	K6200160	BALL BEARING 25x47x12	1	
13	K6200200	OILSEAL 40x30x7	1	
14	0339110	BALL BEARING 12x37x12 C3 6301Z	2	
15	K3082170	BUSH KICK STARTER SUPPORT PLATE	1	
16	420464700	HEX SCREW M6x16 8.8 ZNB	1	
17	K6170100	CABLE GUIDE REAR	1	
18	R4120810	CABLE CLAMP REAR	1	
19	R4120790	PIN CENTER STAND	1	
20	K3090380	SILENT BLOCK BUSH	1	
21	R4030150	CRANKCASE SUB ASSY L	1	
22	K6030250	BUSH CENTER STAND	1	
23	G4010040	STUD BOLT CYL HEAD	2	
24	S1200270	TUBULAR DOWEL	2	
25	K3081750	OIL FILTER	1	

CRANKCASE ASSEMBLY L

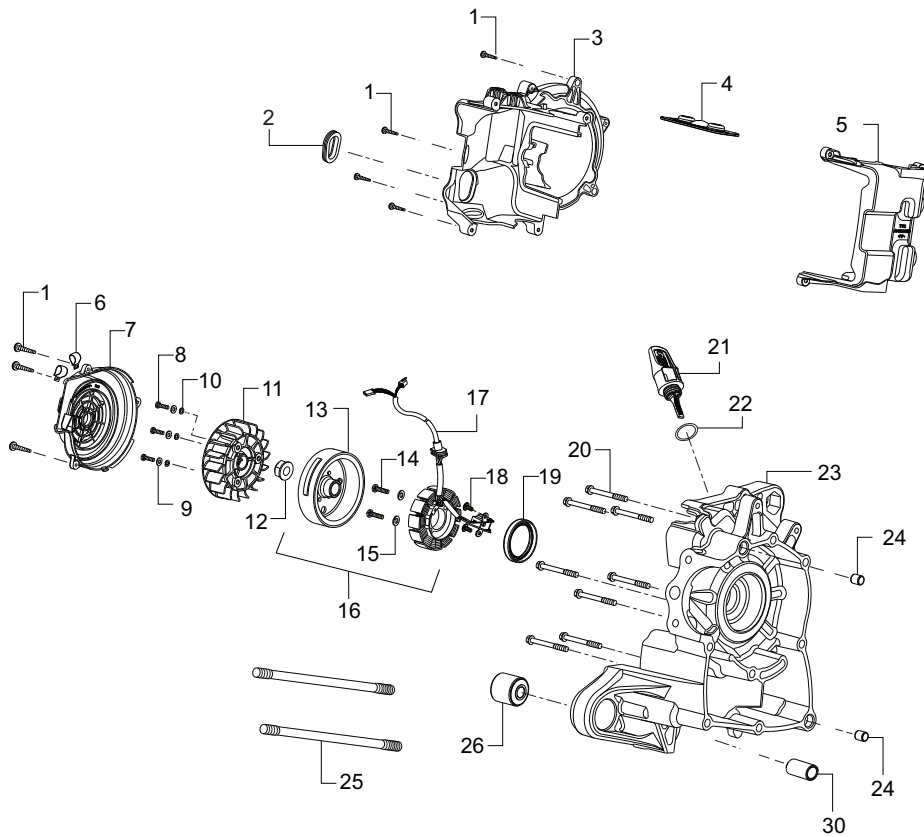


CRANKCASE ASSEMBLY L

FIG. NO. 03

REF. NO.	PART NO.	DESCRIPTION	QTY	REMARKS
26	K3200730	O RING DRAIN PLUG	1	
27	K3081880	DRAIN PLUG	1	
28	R4080120	OIL PUMP ASSY	1	
29	N5200500	HEX SCREW M6x25	2	
30	R4030100	GASKET COVER OIL PUMP	1	
31	S1200680	OIL SEAL 30x40x7	1	
32	R4030130	COVER OILPUMP (WITH OIL SEAL)	1	
33	M1200510	HEX FLANGE BOLT M6x25	7	

CRANKCASE ASSEMBLY R

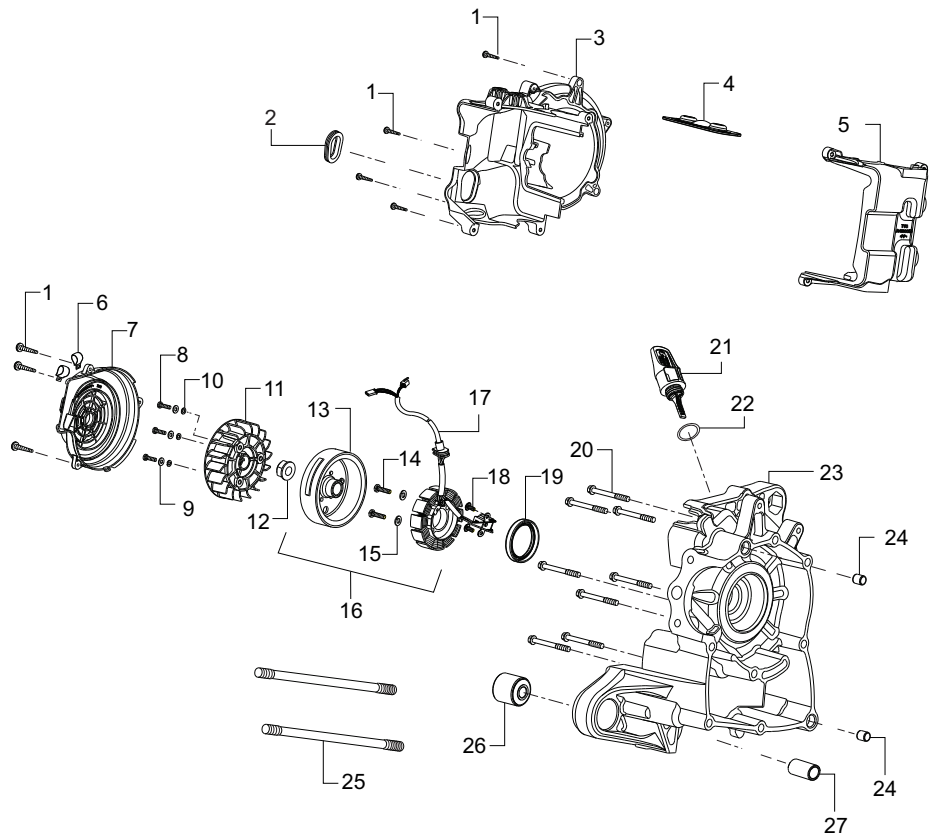


CRANKCASE ASSEMBLY R

FIG. NO. 04

REF. NO.	PART NO.	DESCRIPTION	QTY	REMARKS
1	S1201000	CRR PAN HD TAP SCR ST4.2x25 ZNK	7	
2	K4180090	GROMMET	1	
3	R4180040	HOUSING FAN	1	
4	R4180070	GROMMET TENSIONER ADJ	1	
5	R4180050	DEFLECTOR	1	
6	S1125320	HOLDER HOSE	2	
7	R4180030	COVER FAN	1	
8	F200098	CRPH SCR M5x20 8.8 ZNB	3	
9	0335558	PUNCHED WASHER 5.5x12x1	3	
10	P1200150	WAVE SPRING WASHER M5 ZNG	3	
11	K3180280	FAN	1	
12	K3082170	NUT	1	
13	R4320080	ROTOR ASSY	1	
14	M1200820	CRPH SCR M6x25 5.8 ZNG	2	
15	0330408	WAVE SPRING WASHER M6 ZNB	2	
16	R4060010	MAGNETO ASSY	1	
17	R4320090	STATOR ASSY	1	
18	8200120	CRPH SCREW M5x12	2	
19	K3200640	OILSEAL 17x26x6	1	
20	M1200430	HEX FLANGE BOLT M6x55	7	
21	K3082010	GAUGE OIL LEVEL	1	
22	M1080400	O-RING 16.8x3.1 [M101 039 0]	1	
23	R4030040	CRANKCASE COMP R	1	
24	S1200270	TUBULAR DOWEL	2	
25	G4010040	STUD BOLT CYL HEAD	2	

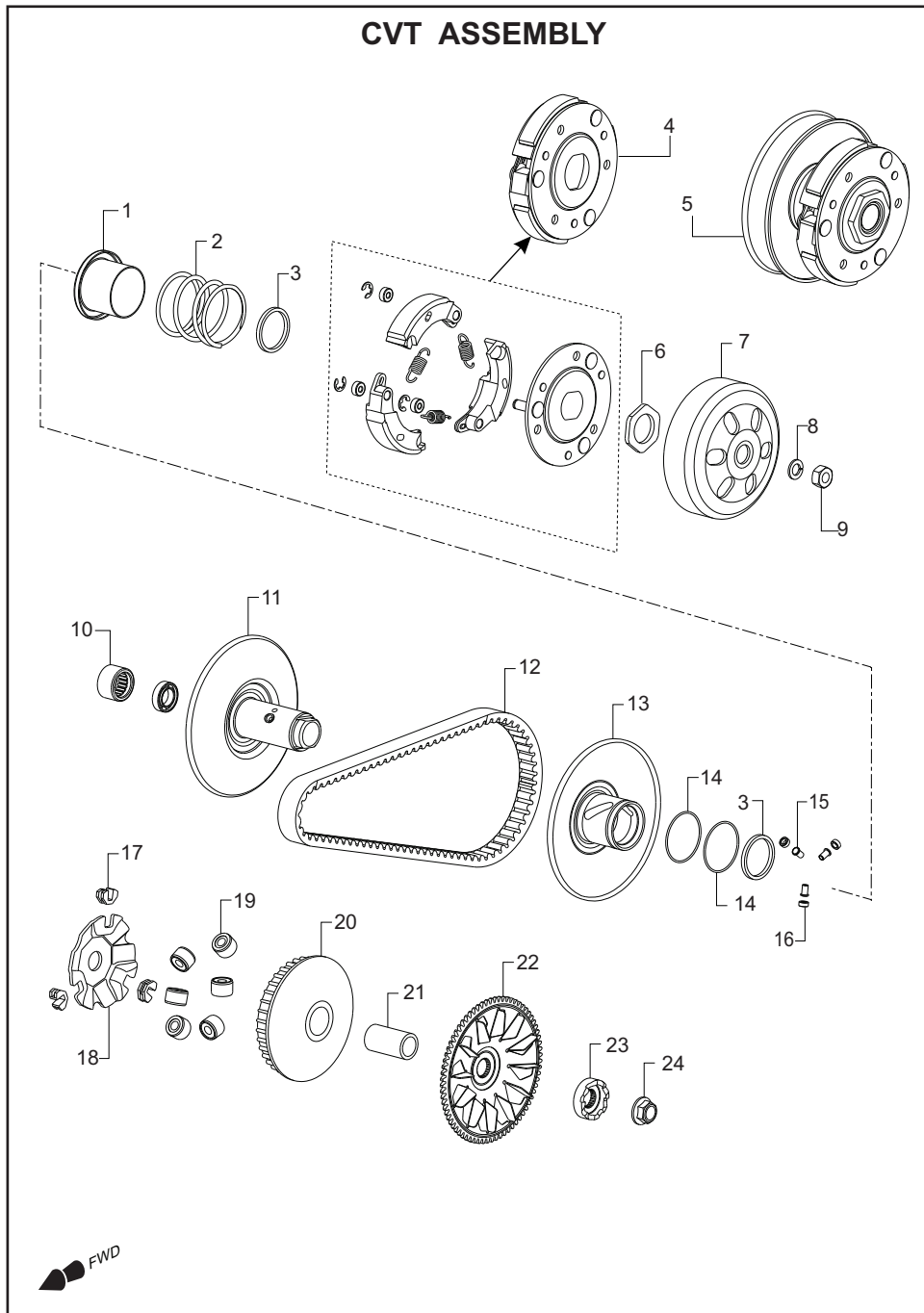
CRANKCASE ASSEMBLY R



CRANKCASE ASSEMBLY R

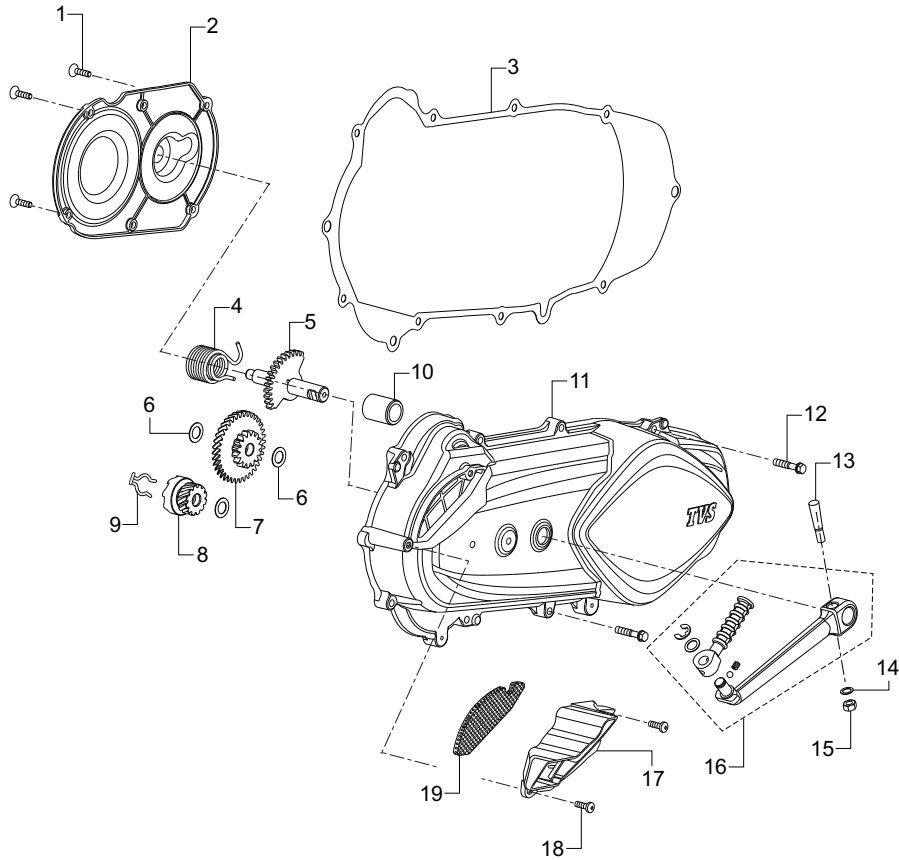
FIG. NO. 04

REF. NO.	PART NO.	DESCRIPTION	QTY	REMARKS
26	K3090380	SILENT BLOCK BUSH	1	
27	K6030250	BUSH CENTER STAND	1	



CVT ASSEMBLY				FIG. NO. 05
REF. NO.	PART NO.	DESCRIPTION	QTY	REMARKS
1	R4080230	SHEET MOVABLE DRIVEN	1	
2	R4080380	SPRING MOVABLE DRIVEN	1	
3	R4080400	OIL SEAL MOVABLE DRIVEN	2	
4	R4070020	CLUTCH ASSY	1	
5	K6081200	CVT ASSEMBLY	1	
6	R4070030	NUT CLUTCH SHOE	1	
7	K6070390	HOUSING CLUTCH	1	
8	0330328	WAVE SPRING WASHER M10 ZNB	1	
9	420308700	HEX NUT M10 8 ZNC	1	
10	K3200090	NEEDLE BEARING	1	
11	R4080350	FACE FIXED DRIVEN	1	
12	K6080550	V BELT	1	
13	R4080340	FACE MOVABLE DRIVEN	1	
14	R4080410	O RING MOVABLE DRIVEN	2	
15	R4080370	PIN MOVABLE DRIVEN	3	
16	R4080360	SPACER, PIN MOVABLE DRIVEN	3	
17	K6080640	DAMPER, MOVABLE DRIVE	3	
18	K6080630	PLATE MOVABLE DRIVE	1	
19	R4080280	ROLLER MOVABLE DRIVE COMP	6	
20	K6080590	FACE COMP MOVABLE DRIVE	1	
21	K6080610	SPACER MOVABLE DRIVE	1	
22	R4080240	FACE FIXED DRIVE COMP	1	
23	K6081370	RATCHET NUT KICKSTARTER	1	
24	M1200770	HEX FLANGE NUT M12x1.25	1	

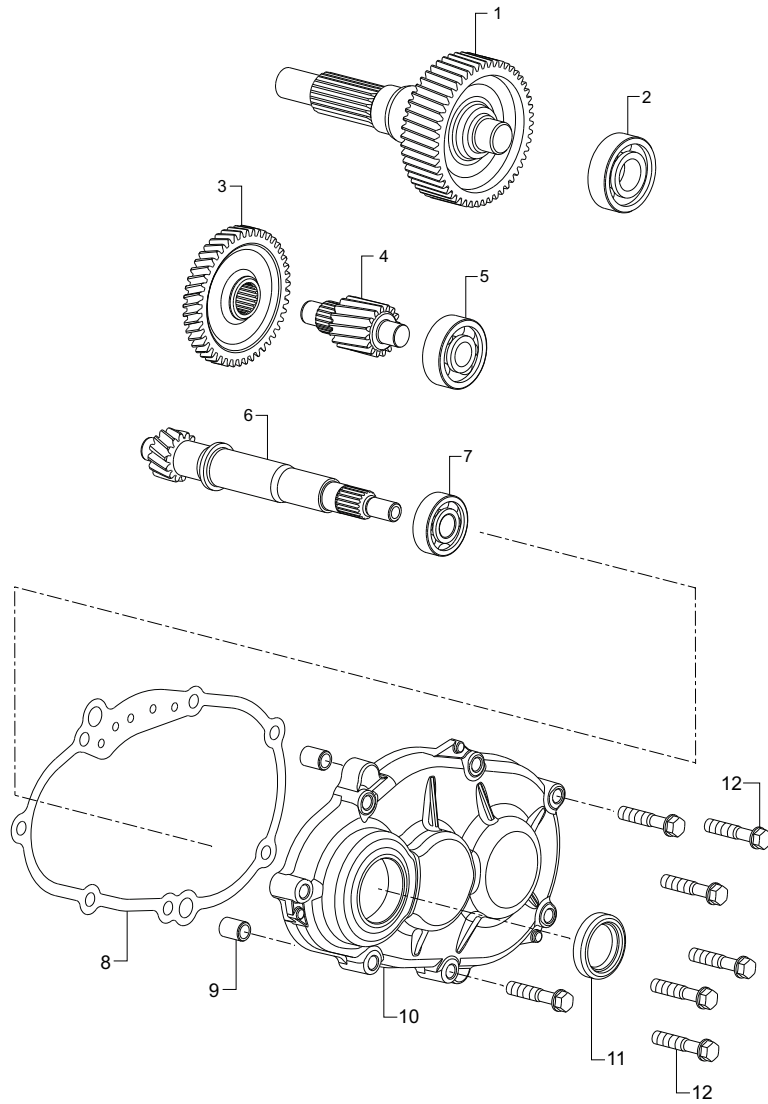
COVER VARIATOR & KICK STARTER ASSY



COVER VARIATOR & KICK STARTER ASSY FIG. NO. 06

REF. NO.	PART NO.	DESCRIPTION	QTY	REMARKS
1	0332248	REC CSK HD SCR M6x20 6.8 ZNB	6	
2	R4080070	COVER FAN CVT	1	
3	R4030180	GASKET COVER VARIATOR	1	
4	K3081530	SPRING KS SHAFT	1	
5	K6080750	GEAR COMP KS DRIVE	1	
6	P080610	SHIM 11.2x18.5x0.5 OILED [TSDS0402]	3	
7	K3081320	GEAR COMP KS IDLER	1	
8	K6081380	GEAR COMP KICKSTARTER DRIVEN	1	
9	K3081500	SPRING KS DRIVEN GEAR	1	
10	K3082190	BUSH KICK STARTER SHAFT	1	
11	R4030110	COVER VARIATOR ASSY	1	
12	M1200470	HEX FLANGE BOLT M6x30	10	
13	R4200040	COTTER PIN	1	
14	420051000	SPRING WASHER B7	1	
15	K3200760	HEX FLANGE NUT M7x1	1	
16	K3082760	LEVER KICKSTARTER ASSY - T GREY	1	
17	R4080180	TUBE INLET CVT	1	
18	0331718	CRPH SCR M5x16 6.8 ZNB	2	
19	R4080140	FOAM CVT FILTER	1	

GEARCASE ASSEMBLY

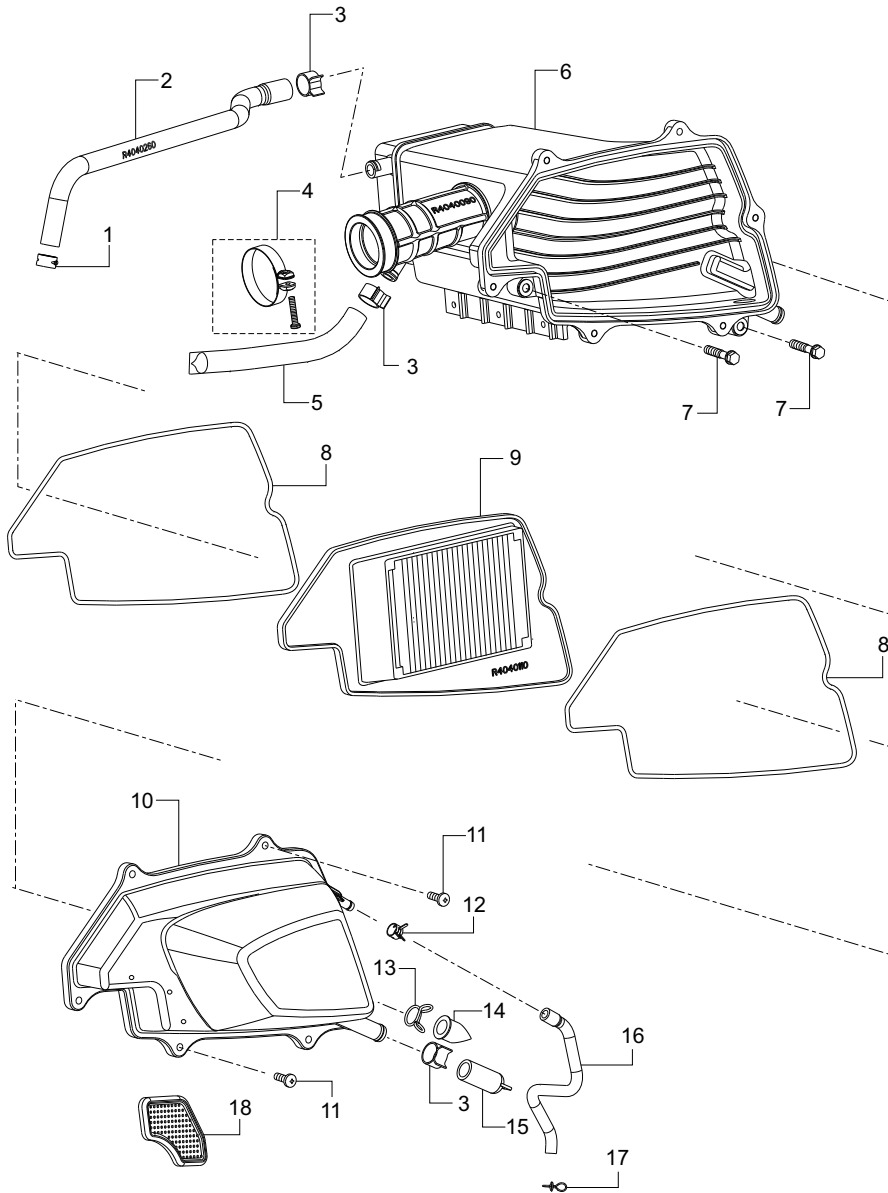


GEARCASE ASSEMBLY

FIG. NO. 07

REF. NO.	PART NO.	DESCRIPTION	QTY	REMARKS
1	R4080030	SHAFT REAR WHEEL COMP	1	
2	N2200150	BALL BEARING 17x40x12 - 6203	1	
3	R4080330	GEAR INTERMEDIATE	1	
4	K6080440	SHAFT INTERMEDIATE	1	
5	0339110	BALL BEARING 12x37x12 C3 6301Z	1	
6	K6080430	SHAFT CLUTCH	1	
7	R4200020	BALL BEARING 20x47x14	1	
8	R4030070	GASKET GEARCASE	1	
9	0074010	DOWEL PIN	2	
10	R4030050	GEARCASE	1	
11	N5200270	OILSEAL 20x30x6	1	
12	M1200470	HEX FLANGE BOLT M6x30	7	

AIR CLEANER ASSEMBLY

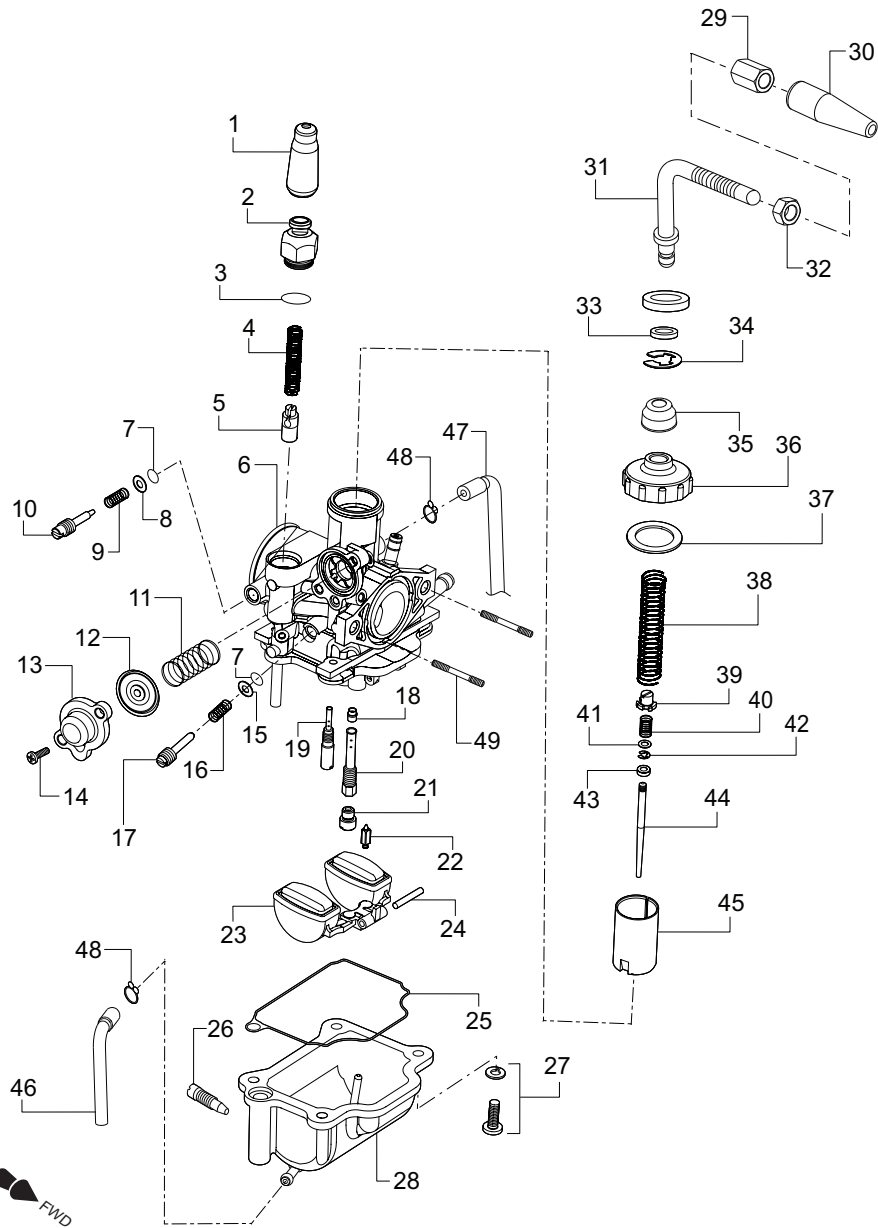


AIR CLEANER ASSEMBLY

FIG. NO. 08

REF. NO.	PART NO.	DESCRIPTION	QTY	REMARKS
1	R2040400	HOSE CLIP 12.5	1	
2	R4040260	HOSE BREATHER PCV	1	
3	K140820	HOSE CLIP 14.8	2	
4	P100480	HOSE CLIP 43	1	
5	K6040770	DRAIN PIPE	1	
6	R4040060	CASE AIR CLEANER COMP .	1	
7	M1200470	HEX FLANGE BOLT M6x30	2	
8	R4040120	SEAL AIR CLEANER	2	
9	R4040110	FILTER HOLDER COMP .	1	
10	R4040070	COVER COMP AIR CLEANER	1	
11	M1200660	CRPH SCR M5x16 ZNG	6	
12	R1040460	CLIP HOSE BREATHER	1	
13	R1140440	HOSE CLIP DIA 13mm	1	
14	P6040110	DRAIN PIPE	1	
15	G4040330	DRAIN PIPE	1	
16	R4040270	HOSE CRANKCASE BREATHER	1	
17	R1140340	HOSE CLIP DIA 10mm	1	
18	R4040350	SLEEVE AIR INLET	1	
19	R4040010	AIR CLEANER ASSY	1	

CARBURETTOR ASSEMBLY

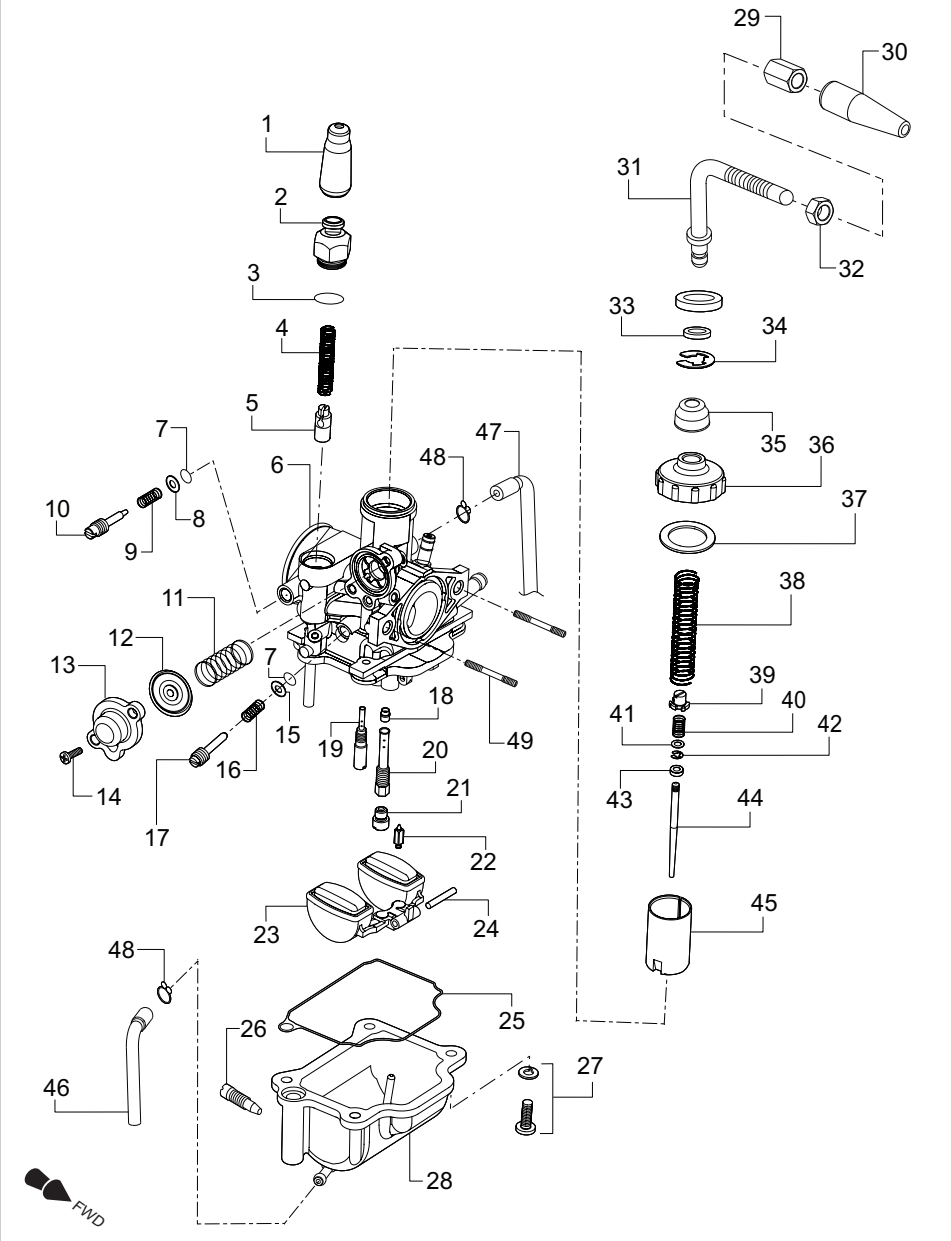


CARBURETTOR ASSEMBLY

FIG. NO. 09

REF. NO.	PART NO.	DESCRIPTION	QTY	REMARKS
1	R1321670	CAP	1	
2	R1320360	GUIDE HOLDER	1	
3	R1321540	O-RING(GUIDE HOLDER)	1	
4	R1320370	SPRING	1	
5	K320680	PLUNGER ASSEMBLY	1	
6	-----	MIXING BODY ASSEMBLY	1	
7	N2320420	O-RING (AS)	2	
8	K3320500	WASHER AIR ADJUSTER	1	
9	K3320510	SPRING AIR ADJUSTER	1	
10	R1321550	AIR SCREW (AS)	1	
11	R1321640	SPRING (C/R)	1	
12	R1321630	DIAPHRAGM ASSEMBLY	1	
13	R1321650	DIAPHRAGM COVER	1	
14	R1321660	SCREW (C/R)	2	
15	K320780	WASHER (SRA)	1	
16	R1320440	SPRING (SRA)	1	
17	R1321760	ADJUSTER (IDLE)	1	
18	R1320430	NEEDLE JET (JET)	1	
19	K3320340	PILOT JET	1	
20	R1321600	JET HOLDER	1	
21	G3320130	MAIN JET	1	
22	R1321570	NEEDLE ASSEMBLY	1	
23	R1320420	FLOAT ASSEMBLY	1	
24	K3320310	PIN FLOAT	1	
25	K320380	SEAL (FCB)	1	

CARBURETTOR ASSEMBLY

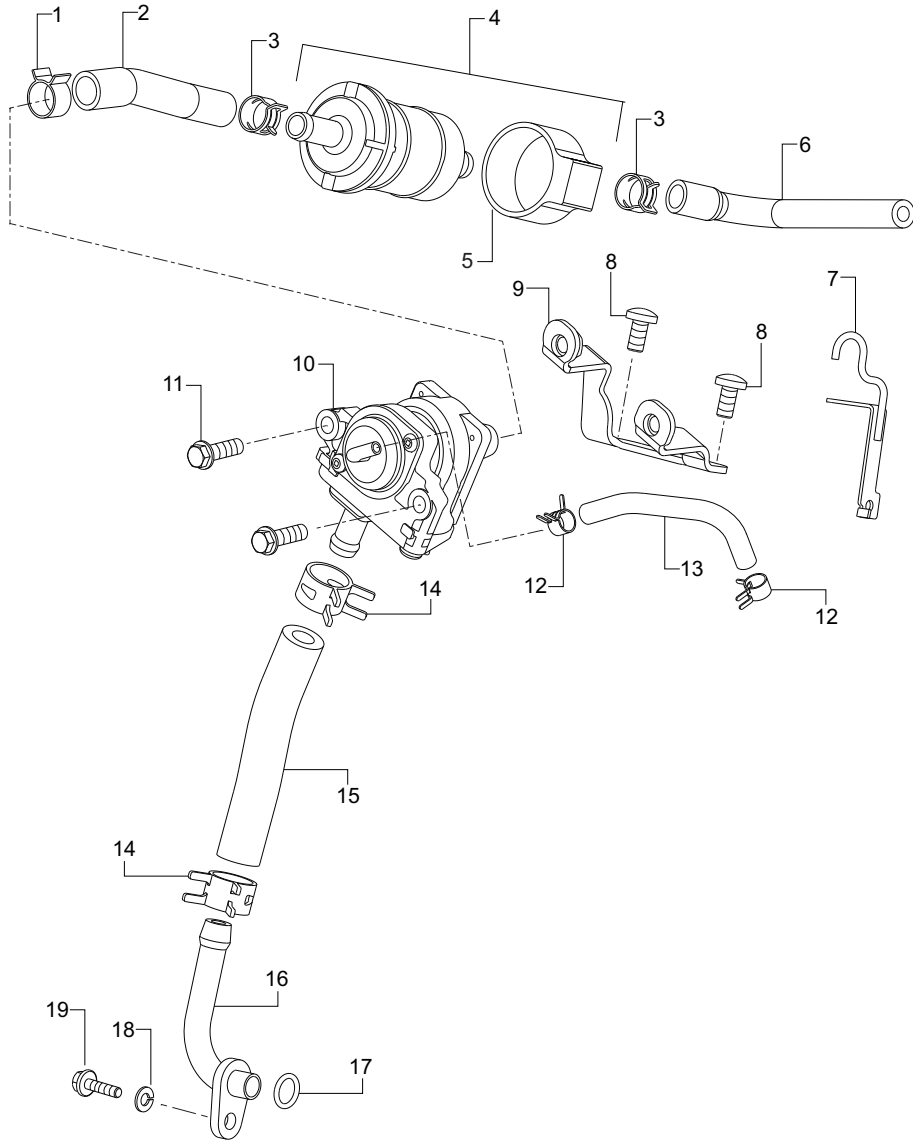


CARBURETTOR ASSEMBLY

FIG. NO. 09

REF. NO.	PART NO.	DESCRIPTION	QTY	REMARKS
26	N2320310	SCREW DRAIN	1	
27	K3320530	SCREW (FCB)	4	
28	R1320390	FLOAT BODY ASSEMBLY	1	
29	R1320490	CABLE GUIDE ADJUSTER	1	
30	R1320500	CAP	1	
31	R1321620	CABLE GUIDE ASSEMBLY	1	
32	R1320510	NUT	1	
33	R1320470	PACKING	1	
34	R1320480	E-RING (MIXING TOP)	1	
35	R1320460	CAP	1	
36	R1320310	MIXING CAP	1	
37	R1320320	PACKING	1	
38	R3320440	SPRING (THROTTLE)	1	
39	N2320610	HOLDER	1	
40	N2320330	SPRING (JN)	1	
41	N2320630	WASHER	1	
42	N2320340	E-RING	1	
43	R1320580	RING 2.3	1	
44	N2320220	JET NEEDLE (NEEDLE)	1	
45	R1320340	PISTON VALVE (CA)	1	
46	R1321800	HOSE DRAIN	1	
47	N5320300	HOSE	1	
48	N5320400	CLIP HOSE	2	
49	K3320480	STUD	2	
50	R4040020	CARBURETTOR ASSY	1	

SAI ASSEMBLY



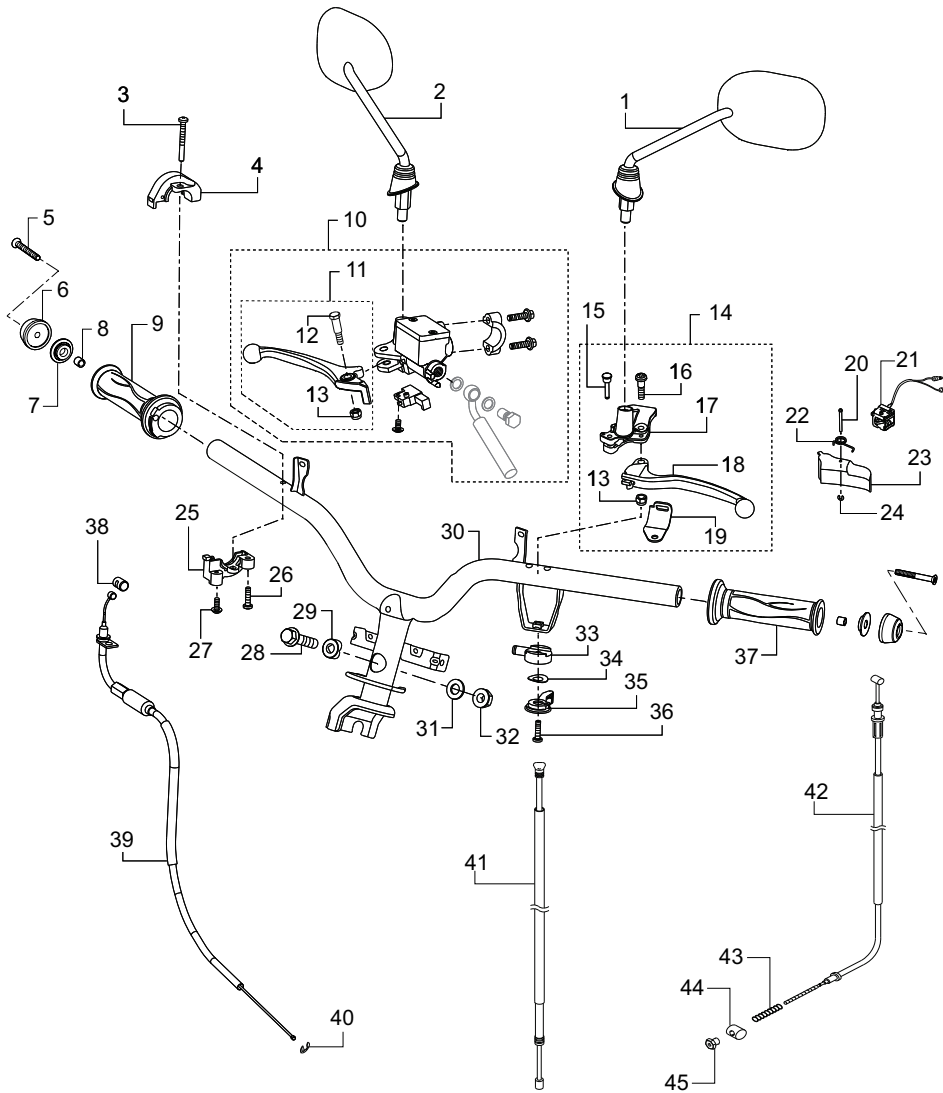
FWD

SAI ASSEMBLY

FIG. NO. 11

REF. NO.	PART NO.	DESCRIPTION	QTY	REMARKS
1	K140820	HOSE CLIP (14.8mm Dia)	1	
2	R4040150	HOSE SAI INLET	1	
3	R2040400	HOSE CLIP (12.5mm Dia)	2	
4	N9041670	AIR CLEANER SAI	1	
5	P1040220	BOOT SAI FILTER	1	
6	R4040330	HOSE AIR INLET	1	
7	R4040310	BRKT AIR FILTER SAI	1	
8	0332068	CRPH SCR M6x12 6.8 ZNB	2	
9	R4040320	BRKT SAI MTG	1	
10	N8040250	SEC AIR INJECTION VALVE	1	
11	M1200530	HEX FLANGE BOLT M6x20	2	
12	N8040370	HOSE CLIP VACUUM (8mm Dia)	2	
13	R4040300	HOSE AIR CUT VALVE	1	
14	N8040350	HOSE CLIP AIR INJECTION (16mm Dia)	2	
15	M7040060	HOSE AIR OUTLET	1	
16	R4040160	PIPE COMP SAI	1	
17	N8040340	O-RING AIR INJECTION	1	
18	0330408	WAVE SPRING WASHER M6 ZNB	1	
19	M1200520	HEX FL BOLT M6x16	1	

HANDLE BAR ASSEMBLY

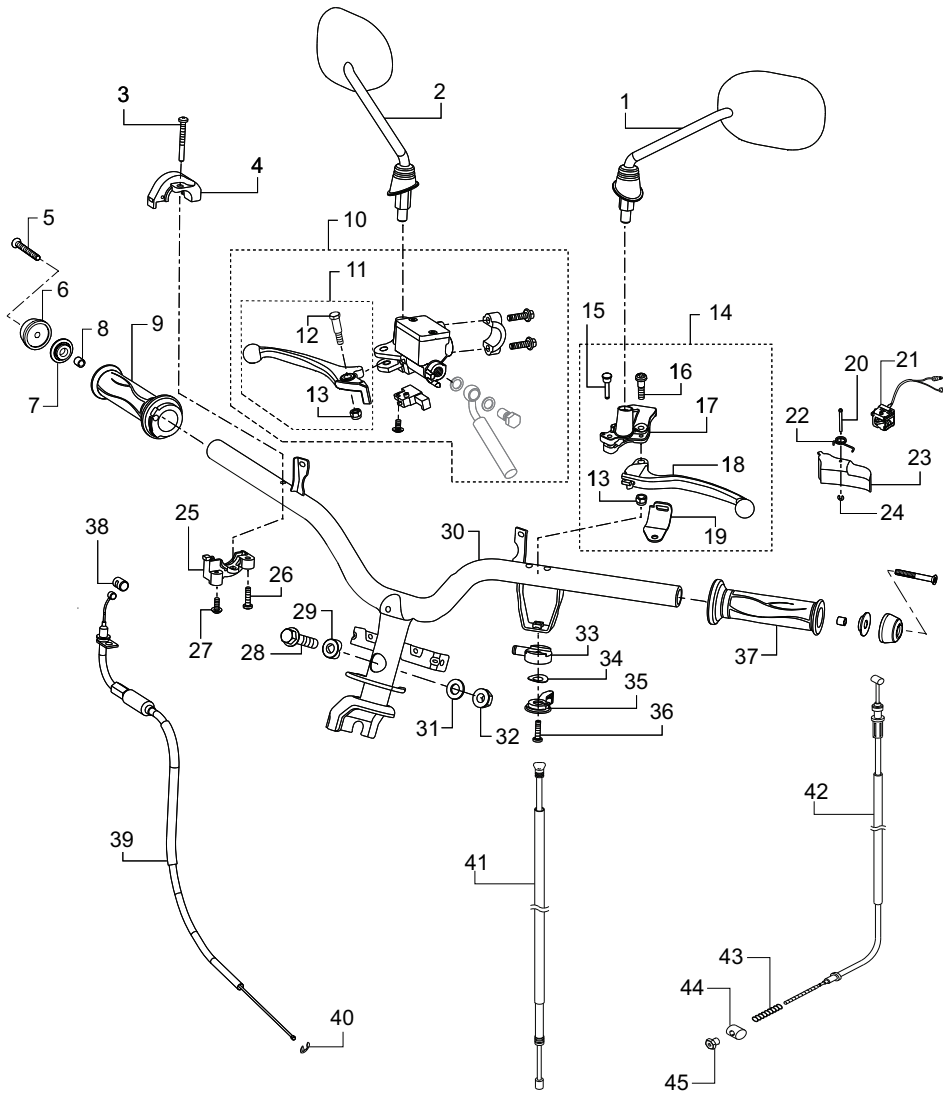


HANDLE BAR ASSEMBLY

FIG. NO.12

REF. NO.	PART NO.	DESCRIPTION	QTY	REMARKS
1	R2220820	MIRROR ASSY L	1	
2	R2220830	MIRROR ASSY R	1	
3	0332038	CRPH SCR M5x45 6.8 ZNB (TSDS-0203)	1	
4	K150420	CASE THROTTLE UPPER	1	
5	M1201060	REC CSK HD SCR M6x50 6.8 ZNK	2	
6	R1150270	DAMPER HANDLE BAR	2	
7	N9150700	RUBBER DAMPER MOUNTING	2	
8	N9122440	BUSH - M6	2	
9	R3150040	GRIP COMP THROTTLE	1	
10	R1150390	MASTER CYLINDER ASSY	1	
11	R1320240	KIT LEVER	1	
12	R1150900	BOLT BRAKE LEVER	1	
13	409047000	NYLON LOCK NUT M6 8 ZNB	2	
14	K6150190	CONTROL LEVER ASSY L	1	
15	K6150250	HINGE PARKING BRAKE	1	
16	K3200420	PAN HEAD SCREW SPECIAL	1	
17	K6150200	HOLDER CONTROL LEVER PARKING	1	
18	K3150250	BRAKE LEVER L	1	
19	K3150270	CLAMP LEVER BRKT L	1	
20	K6150239	PIN STOPPER PARKING BRAKE	1	
21	K160240	SWITCH STOP LAMP ASSY	1	
22	K6150249	SPRING PARKING BRAKE	1	
23	K6150210	LOCK STOPPER PARKING BRAKE	1	
24	S1200820	CIRCLIP 2.3 IS:3075 TYPE E	1	
25	K3150570	CASE THROTTLE UNDER	1	

HANDLE BAR ASSEMBLY

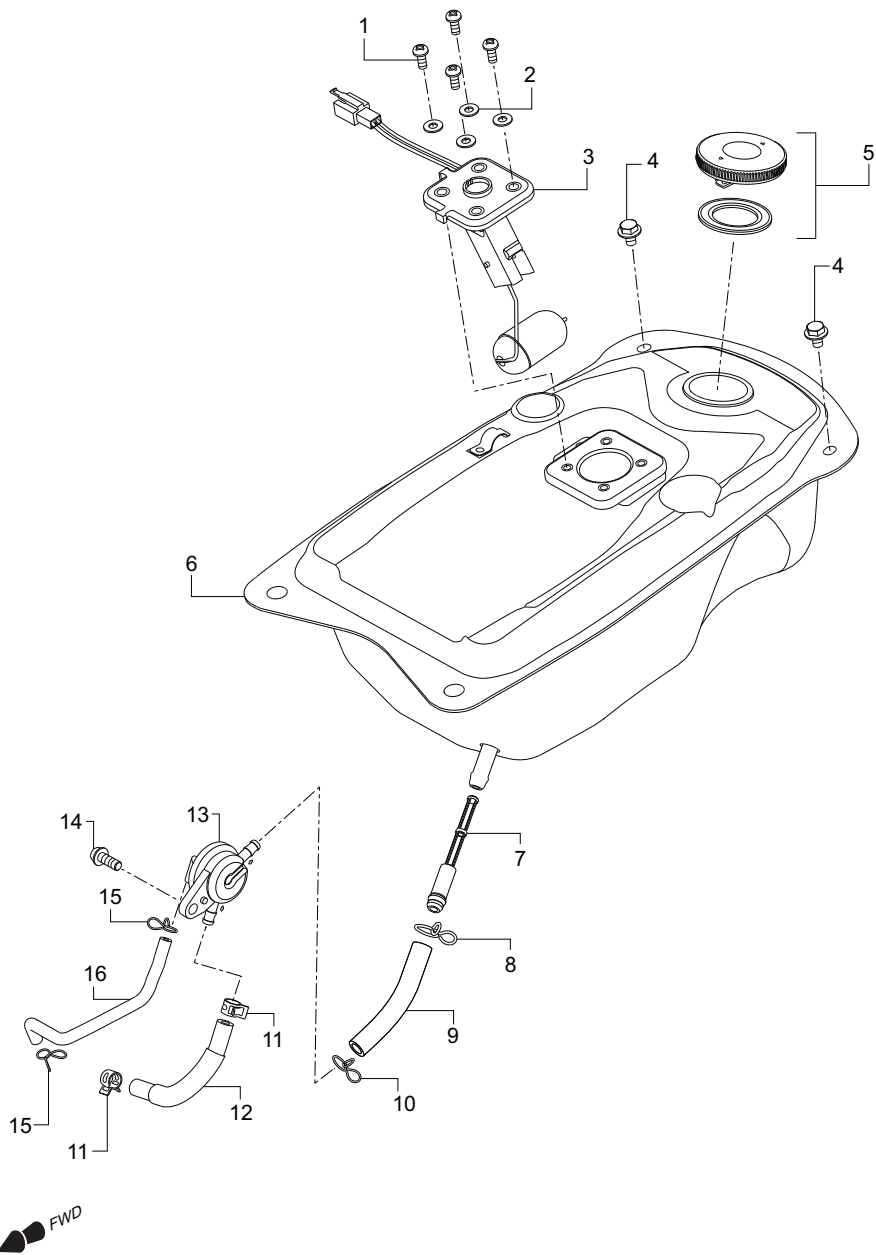


HANDLE BAR ASSEMBLY

FIG. NO. 12

REF. NO.	PART NO.	DESCRIPTION	QTY	REMARKS
26	420957700	PHILIPS HD SCREW M4x15	1	
27	N8200080	CRR PAN HEAD SCREW M5x10	1	
28	K3200660	HEX FLANGE BOLT M10x1.25x45	1	
29	S1150500	BUSH ROUND	1	
30	R4150030	HANDLE BAR COMP	1	
31	420008700	PUNCHED WASHER A11 ZNB	1	
32	K200570	U NUT 10x1.25 FLANGED	1	
33	R1150530	GUIDE CHOKE CABLE	1	
34	3160424	ADJUST WASHER	1	
35	3168600	CHOKE LEVER	1	
36	G5200360	CRR PAN HEAD SCREW M5x20	1	
37	R3150030	GRIP L	1	
38	0254096	PIECE THROTTLE CABLE END	1	
39	R4170010	CABLE THROTTLE . DISC ASSY	1	
40	M1200730	CIRCLIP 6.0x0.8SES P2107 TYPE E ZNC	1	
41	R4170040	CABLE ASSY CHOKE	1	
42	R4170020	CABLE ASSY REAR BRAKE	1	
43	K3110690	SPRING BRAKE CABLE REAR	1	
44	0254038	PIN BR. LEVER-BRAKE	1	
45	0334268	NUT BR. CABLE ADJ.-BRAKE	1	

FUEL TANK ASSEMBLY

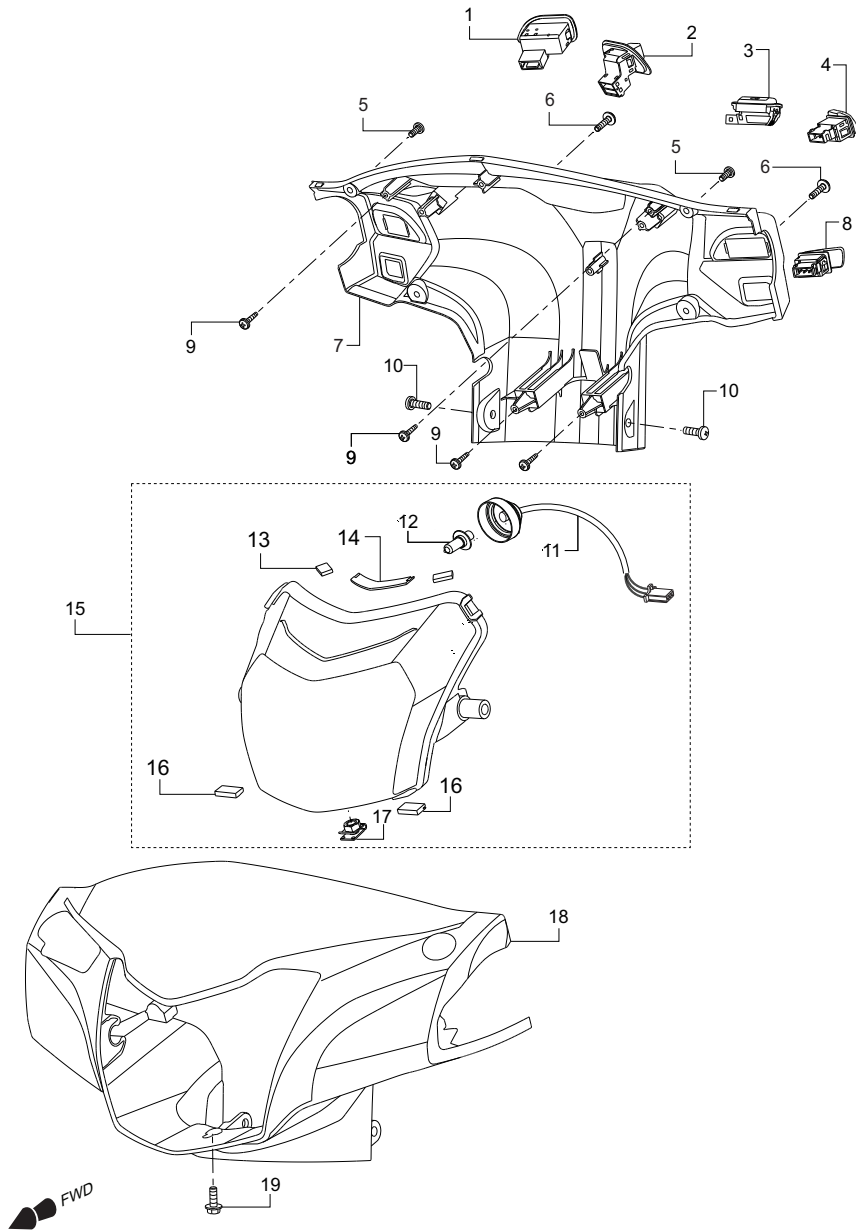


FUEL TANK ASSEMBLY

FIG. NO. 13

REF. NO.	PART NO.	DESCRIPTION	QTY	REMARKS
1	0331708	CRPH SCR M5x12 6.8 ZNB	4	
2	0335558	PUNCHED WASHER 5.5x12.0x1.0 ZNB	4	
3	R4160030	FUEL SENDER ASSY	1	
4	R1200500	HEX FL BOLT M6x10	2	
5	R1140260	TANK CAP ASSY	1	
6	R4140060	FUEL TANK COMP	1	
7	R1140410	FUEL FILTER	1	
8	R1140440	HOSE CLIP DIA 13mm	1	
9	R4140260	HOSE FUEL TANK	1	
10	R1140340	HOSE CLIP DIA 10mm	1	
11	N4200130	HOSE CLAMP (Dia 9.2mm)	2	
12	R4140030	HOSE AFC TO CARBURETTOR	1	
13	R1140220	AUTO FUEL COCK	1	
14	N3200220	HEX FL BOLT M6x16 ZNG	1	
15	R1140350	HOSE CLIP DIA 7mm	2	
16	R4140040	HOSE VACUUM	1	

HEAD LAMP ASSEMBLY

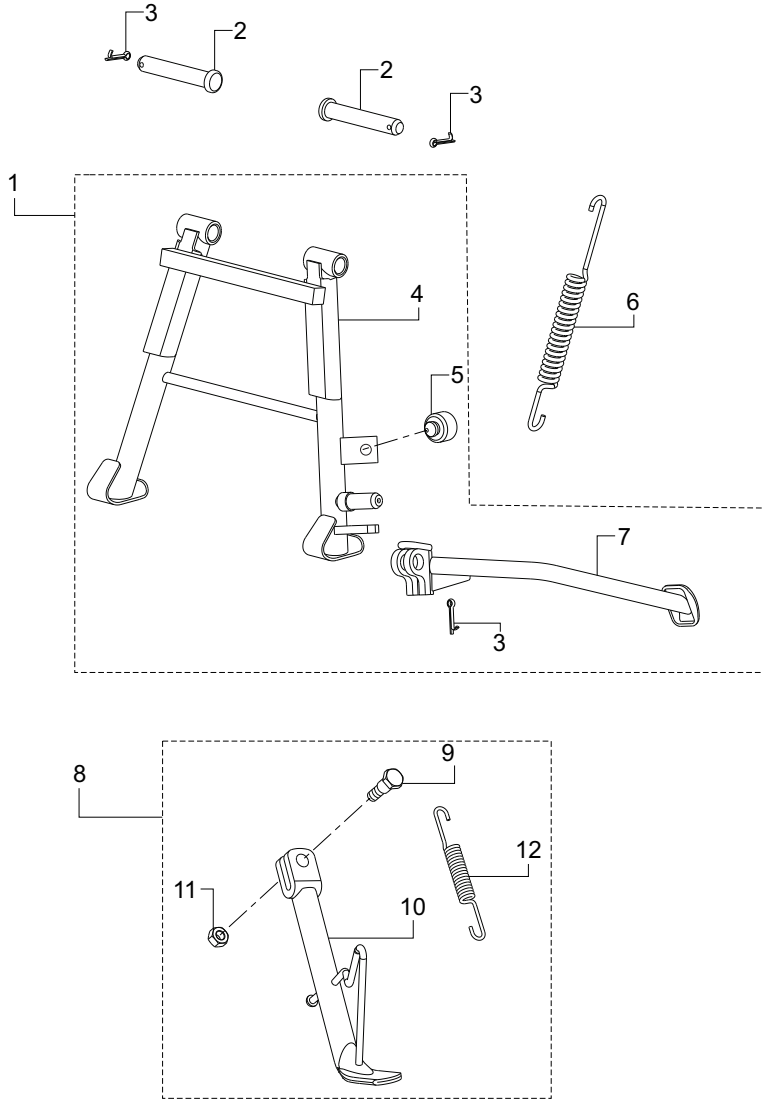


HEAD LAMP ASSEMBLY

FIG. NO. 14

REF. NO.	PART NO.	DESCRIPTION	QTY	REMARKS
1	R1160200	SWITCH ELECTRIC STARTER	1	
2	R1160190	SWITCH LIGHTING	1	
3	R1160220	SWITCH BEAM CONTROL	1	
4	K6160400	SWITCH TURN SIGNAL LAMP	1	
5	420515700	CRR PAN HEAD SCREW M4x10	2	
6	R1200450	CRR FLANGE PAN HEAD SCREW M4X16	2	
7	R4220160	COVER HANDLE REAR	1	
8	R1160230	SWITCH HORN	1	
9	K200320	SCREW SELF TAPPING 4.2x16 ZNK TSDS0209	4	
10	M1200660	CRPH SCR M5x16 ZNG	2	
11	R4160060	CORDSET HEAD LAMP	1	
12	R1160130	BULB HEADLAMP 12V 30/30W	1	
13	R1220770	CUSHION HEAD LAMP	2	
14	R3220640	CUSHION, HEADLAMP	1	
15	R4220210	HEADLAMP ASSY	1	
16	R1220360	CUSHION, COVER FRAME	2	
17	S1200700	RETAINER CLIP COMP, PANEL	1	
18	→	COVER HANDLE FRONT	1	
19	R1200380	HEX FLANGE BOLT M5x14	1	

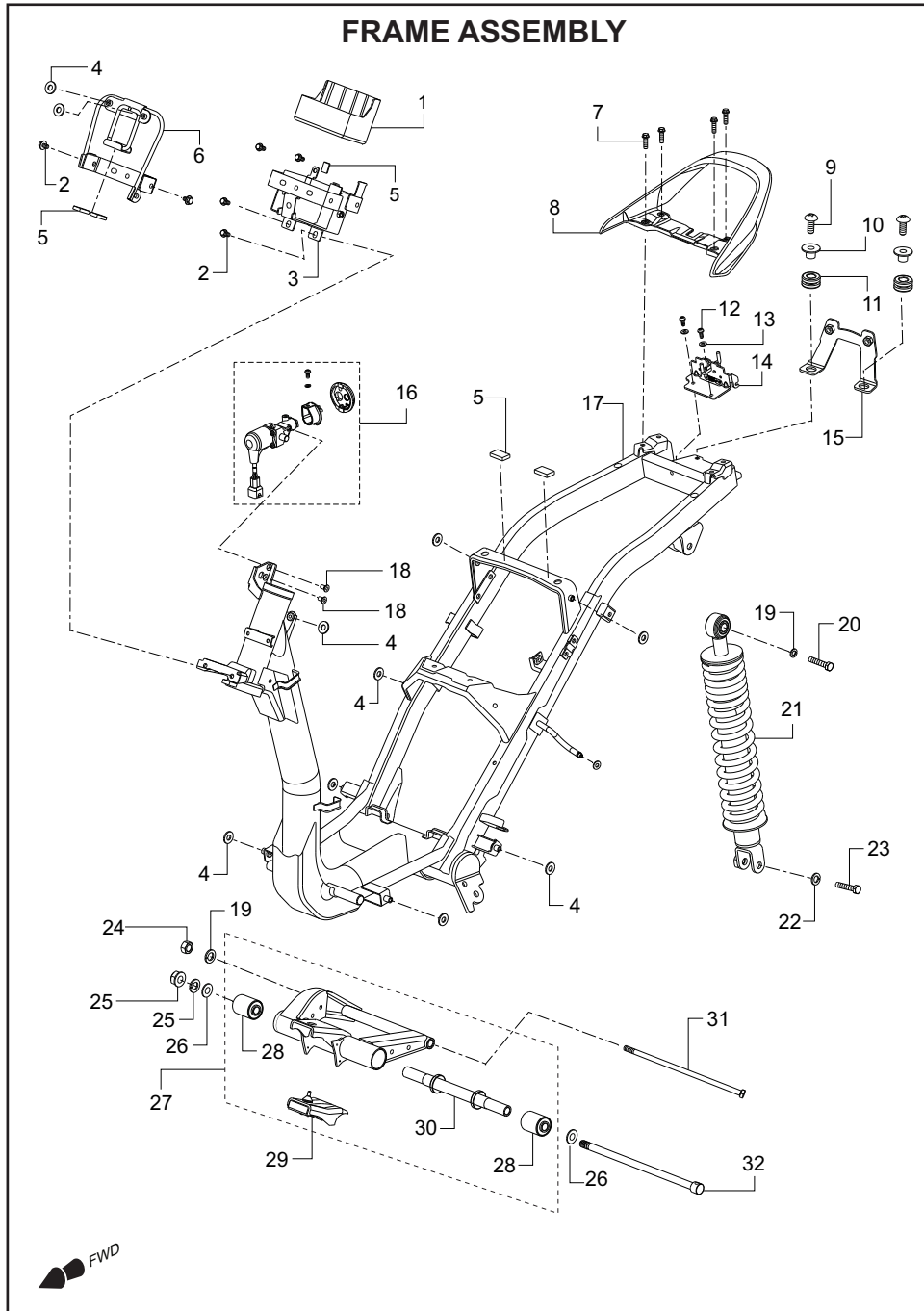
CENTER STAND & PROP STAND ASSY



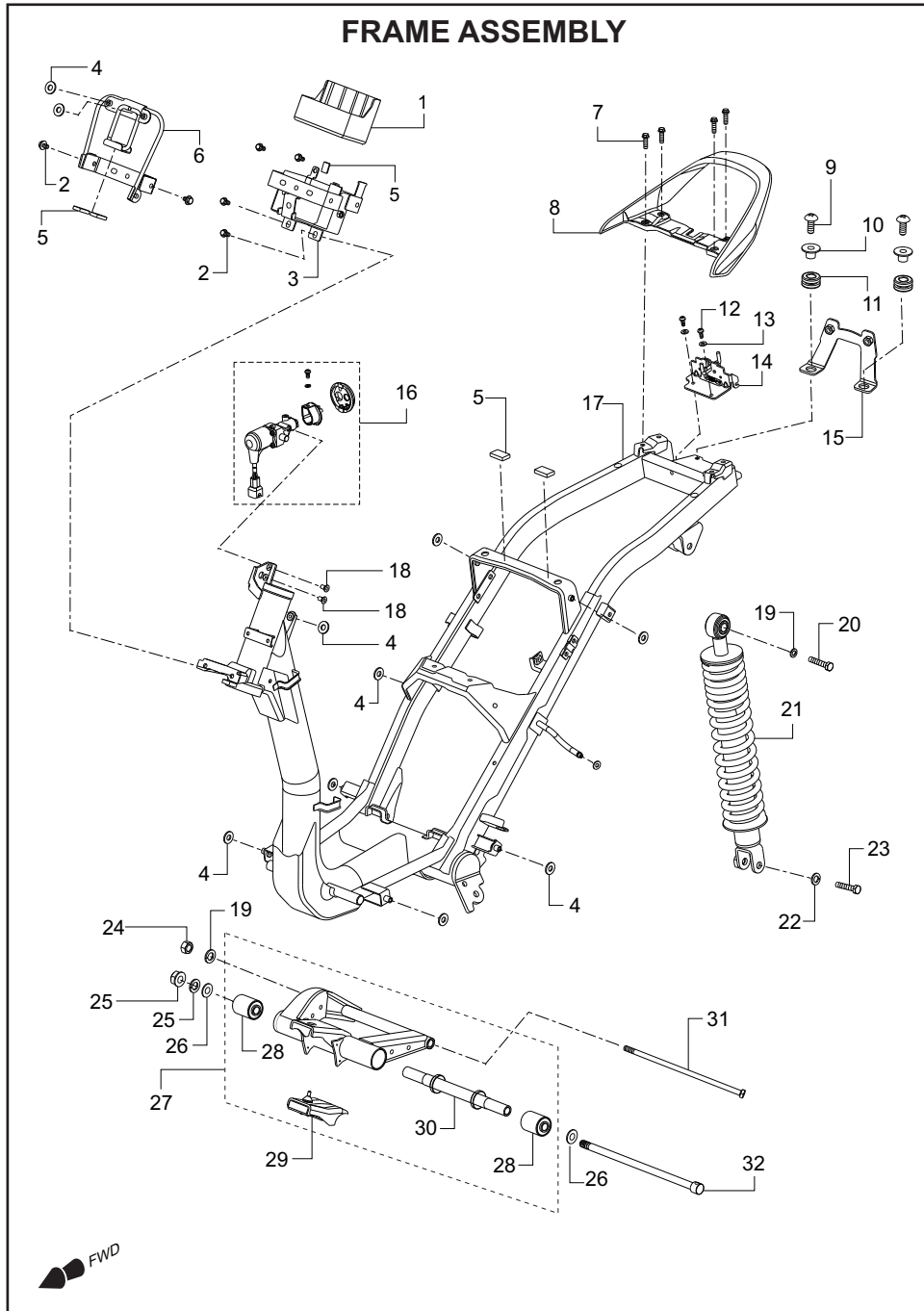
CENTER STAND & PROP STAND ASSY

FIG. NO. 16

REF. NO.	PART NO.	DESCRIPTION	QTY	REMARKS
1	R4120220	CENTER STAND ASSEMBLY	1	
2	K6200080	CLEVIS PIN CENTER STAND	2	
3	N8110710	SPLIT PIN	3	
4	R4120280	CENTER STAND COMP	1	
5	S1125310	CUSHION	1	
6	K3122140	SPRING CENTER STAND	1	
7	R4120360	LEVER CENTER STAND	1	
8	R1321170	KIT PROP STAND	1	
9	N9200010	HEX BOLT M8x1.25x30	1	
10	R1121420	PROPSTAND COMP	1	
11	0334548	HEXAGONAL NUT M8	1	
12	N5121610	SPRING PROP STAND	1	

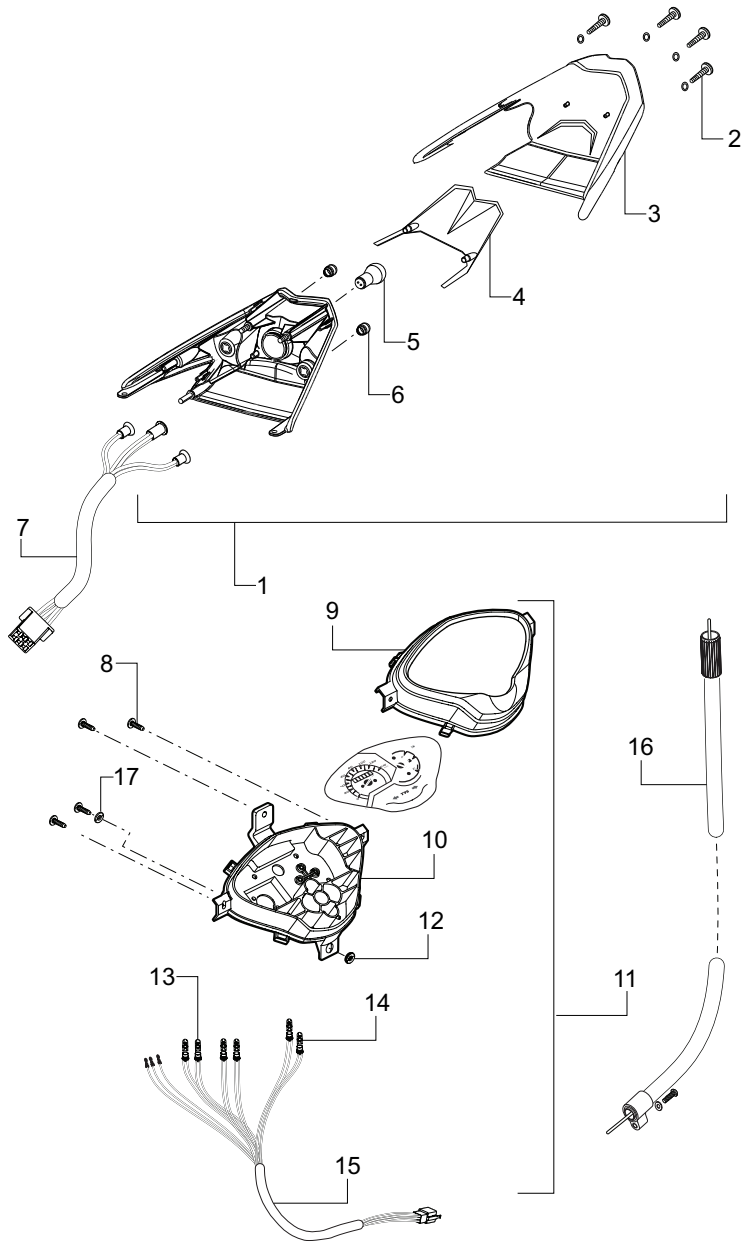


FRAME ASSEMBLY				FIG. NO. 17
REF. NO.	PART NO.	DESCRIPTION	QTY	REMARKS
1	K6122340	TRAY BATTERY HOLDER	1	
2	R1200500	HEX FL BOLT M6x10	6	
3	R4120610	BATTERY HOLDER COMP	1	
4	R1122340	CUSHION 9x20x2	10	
5	R1220360	CUSHION COVER FRAME	5	
6	R4120760	BRKT COVER FRAME HEAD	1	
7	M1200530	HEX FLANGE BOLT M6x20	4	
8	R4220140	PILLION HANDLE	1	
9	0332275	CRR PAN HD SCREW M6x16	2	
10	N8122610	CUP WASHER	2	
11	N5120820	GROMMET HEADLAMP	2	
12	0331708	CRPH SCR M5x12 6.8 ZNB	2	
13	0335558	PUNCHED WASHER 5.5x12.0x1.0 ZNB	2	
14	K6210100	SEAT LATCH ASSY	1	
15	R4220400	BRACKET TAIL LAMP	1	
16	K6150270	STEERING, IGNITION & SHUTTER LOCK	1	
17	R4120010	FRAME COMP	1	
18	0332238	REC CSK HD SCR M6x12 6.8 ZNB	2	
19	0330328	WAVE SPRING WASHER M10	2	
20	420496700	HEX SCREW M10x40	1	
21	R4090010	SHOCK ABSORBER	1	
22	0330318	WAVE SPRING WASHER M8	1	
23	420955700	HEX SCREW M8x40	1	
24	K200160	HEX NUT M10 8 ZNG	1	
25	K200570	HEX FLANGE U NUT M10x1.25	1	



FRAME ASSEMBLY		FIG. NO. 17		
REF. NO.	PART NO.	DESCRIPTION	QTY	REMARKS
26	0335528	PUNCHED WASHER 10.5x18x1.6	2	
27	R4090020	TOGGLE LINK ASSY	1	
28	K3090380	SILENT BLOCK	2	
29	R4090050	STOPPER TOGGLE LINK	1	
30	K6090590	SPACER ASSY TOGGLE LINK	1	
31	K6200060	HEX BOLT M10x250	1	
32	N5111200	AXLE Ø10x221.5	1	

TAIL LAMP & SPEEDOMETER ASSY

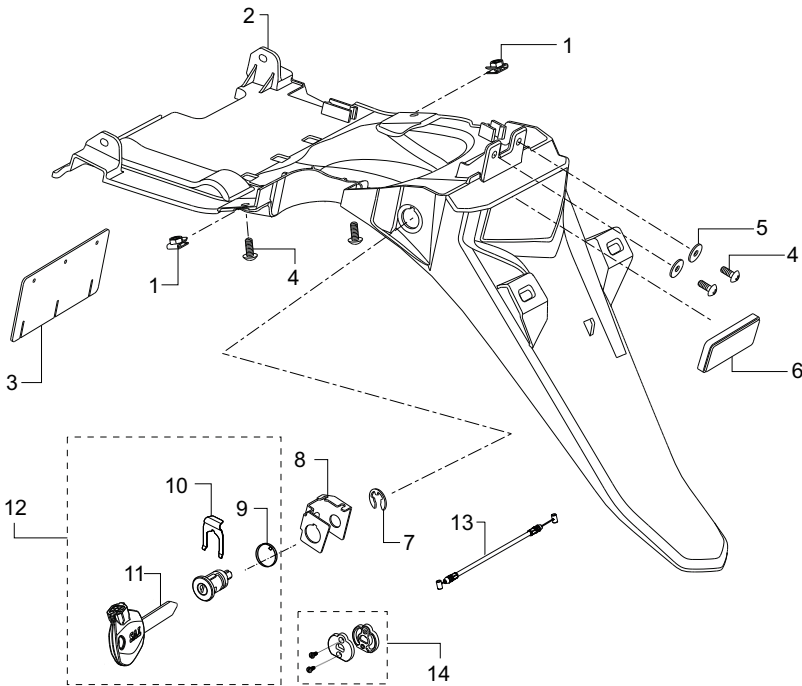


TAIL LAMP & SPEEDOMETER ASSY

FIG. NO. 18

REF. NO.	PART NO.	DESCRIPTION	QTY	REMARKS
1	R4220240	TAIL LAMP ASSY	1	
2	S1201000	CRR PAN HD TAP SCR ST4.2x25 ZNK	4	
3	R4320050	OUTER LENS TAIL LAMP	1	
4	R4320040	INNER LENS TAIL LAMP	1	
5	R1160150	BULB TAIL LAMP 12V 18W/5W	1	
6	R1160170	BULB TURN SIGNAL LAMP 12V 10W	2	
7	R4160080	CORD SET TAIL LAMP	1	
8	K200320	CRR PAN HD TAP SCR ST4.2x16	4	
9	R1320180	CASE TOP	1	
10	R1320190	CASE BOTTOM	1	
11	R4220320	SPEEDOMETER ASSY	1	
12	R1320290	GROMMET	1	
13	R1320730	BULB 12V 1.7 W	4	
14	R1320740	BULB 12V 3.4 W	2	
15	R4160070	CORD SET SPEEDOMETER	1	
16	R1170040	CABLE ASSY SPEEDOMETER	1	
17	0335558	PUNCHED WASHER 5.5x12x1.0	1	

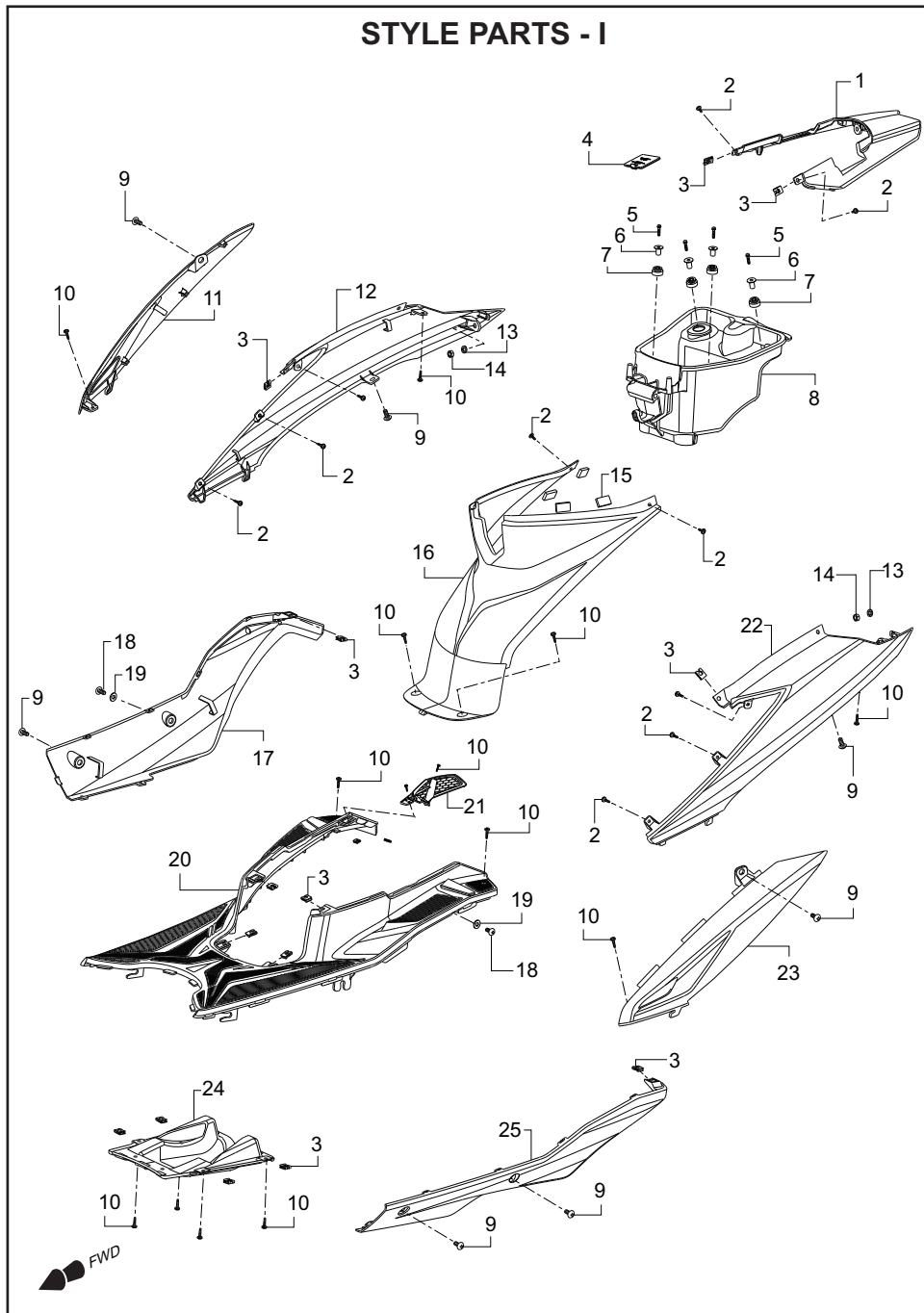
REAR FENDER ASSEMBLY



REAR FENDER ASSEMBLY

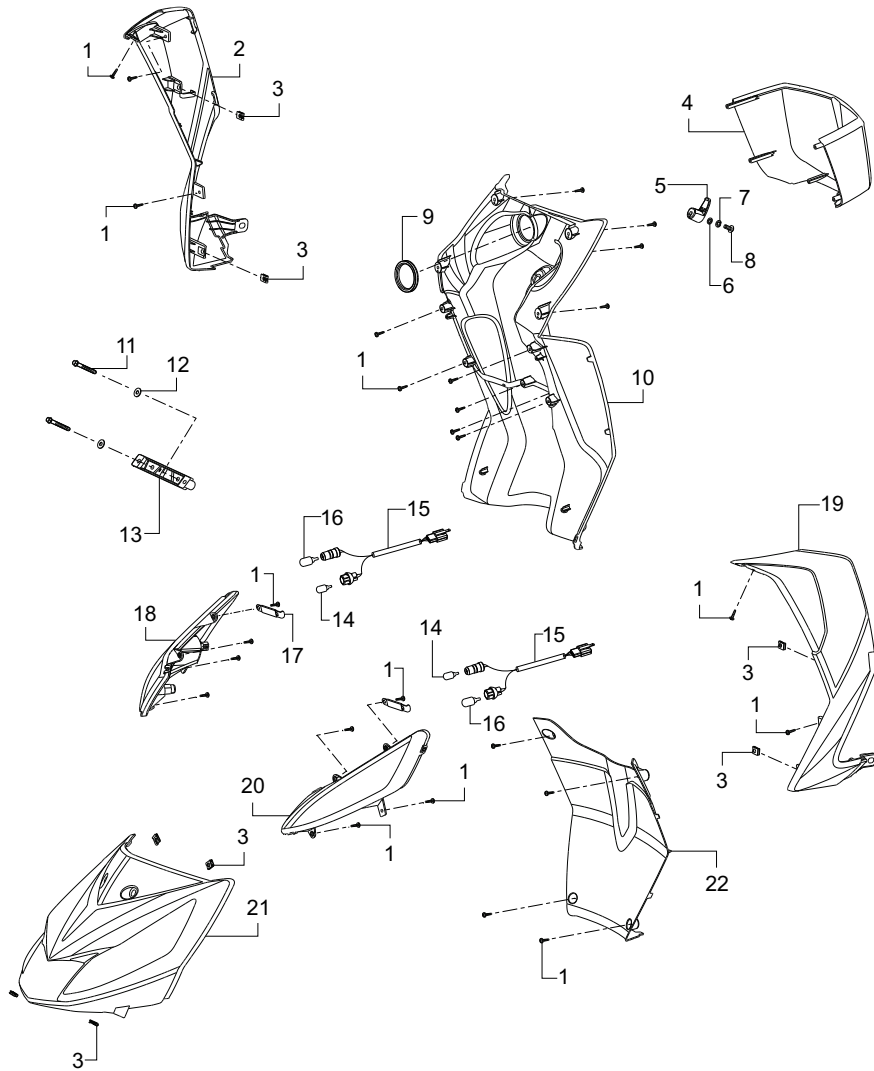
FIG. NO. 19

REF. NO.	PART NO.	DESCRIPTION	QTY	REMARKS
1	S1200700	RETAINER CLIP COMP. PANEL	2	
2	R4220130	FENDER REAR	1	
3	R4220330	MUDFLAP REAR	1	
4	0332275	SCREW - CRPH M6x16 6.8 ZNK	4	
5	0335618	PUNCHED WASHER 6.5x20x1.6	2	
6	M7160120	REFLEX REFLECTOR	1	
7	-----	CIRCLIP	1	
8	R1211580	BRACKET SEAT LOCK	1	
9	R1300060	RUBBER WASHER	1	
10	R1300050	LOCK PLATE SEAT LOCK CLIP	1	
11	K6150350	BLANK KEY	1	
12	K6210140	SEAT LOCK ASSEMBLY	1	
13	R1320640	SEAT LOCK CABLE	1	
14	R4150210	CAM SEAT LOCK KIT	1	



STYLE PARTS - I				FIG. NO. 20
REF. NO.	PART NO.	DESCRIPTION	QTY	REMARKS
1	→	COVER FRAME CENTER	1	REF. PAGE NO. 38
2	N3200340	CRR PAN HD TAP SCR ST4.2x13 ZNK	10	
3	7130020	NUT SEAT TAIL COVER CENTER	15	
4	R1121330	LID ELECTRICAL BOX	1	
5	M1200510	HEX FLANGE BOLT M6x25	4	
6	R1121320	CUP WASHER UTILITY BOX	4	
7	R1121310	CUSHION UTILITY BOX	4	
8	R4120330	UTILITY BOX	1	
9	0332275	SCREW - CRPH M6x16 6.8 ZNK	8	
10	K200320	SCREW SELF TAPPING 4.2x16 ZNK TSDS0209	10	
11	→	COVER LOWER R	1	REF. PAGE NO. 38
12	→	COVER FRAME R	1	REF. PAGE NO. 38
13	420305700	HEX NUT M6	2	
14	G5200300	PUNCHED WASHER 6.5x16x1.2	2	
15	R1220360	CUSHION COVER FRAME	4	
16	R4220070	COVER CENTER	1	
17	R4220310	COVER BOTTOM R	1	
18	M1200810	CRR PAN HD SCREW M6x10 5.8 ZNG	2	
19	G5200310	PUNCHED WASHER 10.5x18x1.6	2	
20	R4220080	FLOOR BOARD	1	
21	R4220420	COVER FRAME BOTTOM R	1	
22	→	COVER FRAME L	1	REF. PAGE NO. 38
23	→	COVER LOWER L	1	REF. PAGE NO. 38
24	R4220090	COVER BOTTOM FLOOR	1	
25	R4220300	COVER BOTTOM L	1	

STYLE PARTS - II

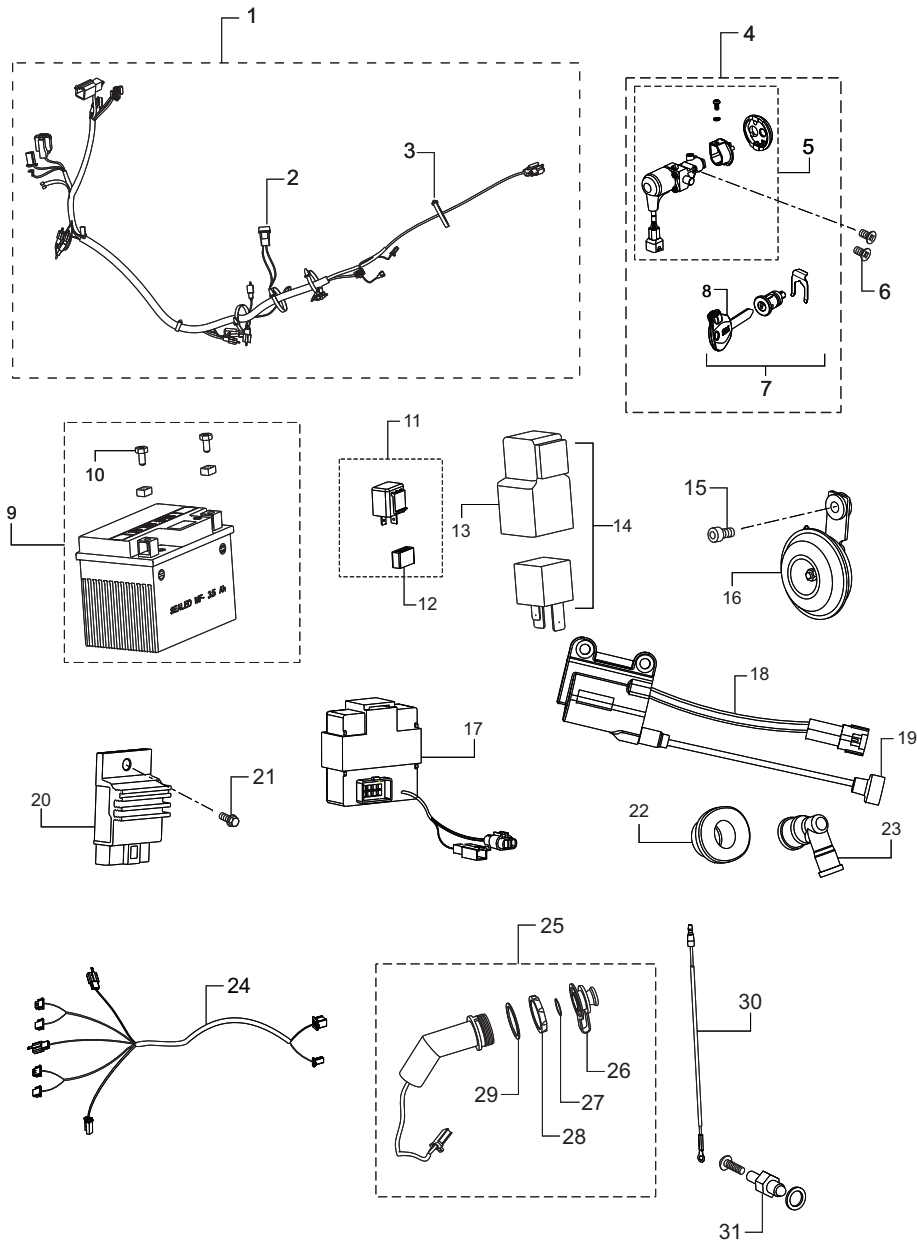


STYLE PARTS - II

FIG. NO. 21

REF. NO.	PART NO.	DESCRIPTION	QTY	REMARKS
1	K200320	SCREW SELF TAPPING 4.2x16 ZNK TSDS0209	26	
2	→	LEG SHIELD R	1	REF. PAGE NO. 38
3	7130020	NUT SEAT TAIL COVER CENTRE	8	
4	R4220060	COVER REAR OUTER	1	
5	B4220380	BAG HOOK	1	
6	420001700	PUNCHED WASHER 6.5x13x1.6	1	
7	0330408	SPRING WASHER M6 ZNB	1	
8	M1200670	CRPH SCR M6x20 6.8 ZNG	1	
9	R4221020	GROMMET IGNITION LOCK	1	
10	R4220050	COVER REAR INNER	1	
11	N2200450	HEX FL BOLT - M6x50	2	
12	G5200300	PUNCHED WASHER 6.5x16x1.2	2	
13	R1220590	BRKT COMP LIC PLATE FRONT	1	
14	R1160720	BULB POSITION LAMP CAP LESS 12V 1.7	2	
15	R4160090	CORD SET TURN SIGNAL LAMP	2	
16	R1160170	BULB TURN SIGNAL (12V 10W)	2	
17	S1125320	CLAMP OIL HOSE No.2	2	
18	R4220230	TURN SIGNAL LAMP R	1	
19	→	LEG SHIELD L	1	REF. PAGE NO. 38
20	R4220220	TURN SIGNAL LAMP L	1	
21	→	COVER FRONT	1	REF. PAGE NO. 38
22	R4220049	COVER FRONT BOTTOM	1	

ELECTRICAL

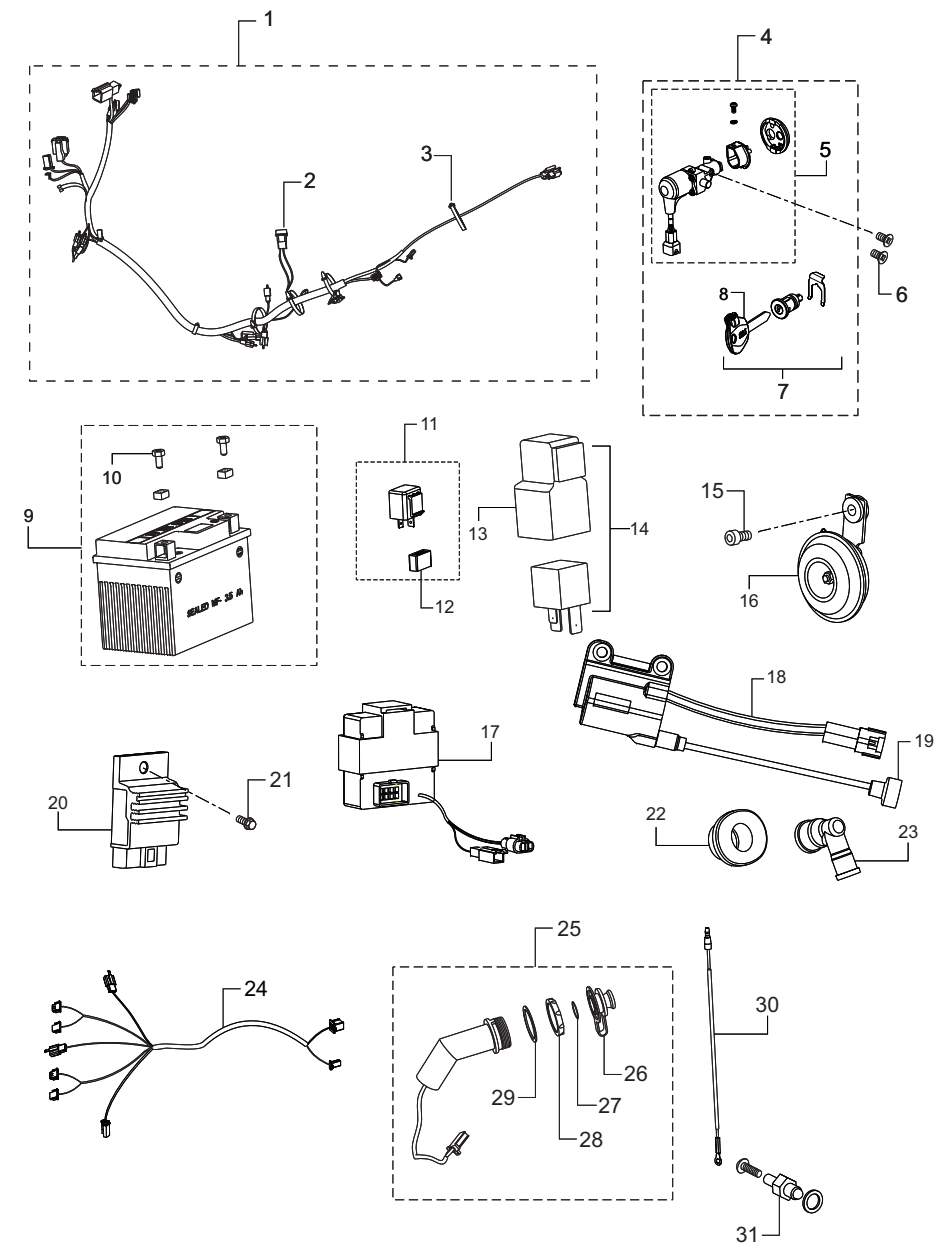


ELECTRICAL

FIG. NO. 22

REF. NO.	PART NO.	DESCRIPTION	QTY	REMARKS
1	R4160020	WIRING HARNESS BASIC	1	
2	R1321390	FUSE 10A	1	
3	N3160340	CLAMP WIRING HARNESS (BIG SIZE)	1	
4	K6210480	LOCK SET	1	
5	K6150270	STEERING CUM IGNITION LOCK	1	
6	0332238	CRR CSK HEAD SCREW M6X12 ZNB	2	
7	K6210140	SEAT LOCK	1	
8	K6150350	BLANK KEY	1	
9	R4160150	BATTERY CHARGED 12V 3.5AH	1	
10	R1321380	SCREW BATTERY TERMINAL	2	
11	N9160380	ELECTRONIC FLASHER UNIT	1	
12	R1321340	BOOT ELECTRONIC FLASHER	1	
13	R3160090	BOOT STARTER RELAY	1	
14	R3160140	STARTER RELAY ASSY	1	
15	R1200310	HEX FLANGE SCREW M8x20	1	
16	N9160840	HORN 12V	1	
17	R4060100	TCI UNIT	1	
18	K6060120	IGNITION COIL	1	
19	R1060200	SEAL HT CORD	1	
20	R4060030	REGULATOR CUM RECTIFIER	1	
21	N8200060	HEX FLANGE BOLT M6x10	1	
22	R4320070	SEAL SPARK PLUG	1	
23	N8060170	SUPPRESSOR CAP	1	
24	R4160040	CORD SET SWITCH	1	
25	N8161720	SOCKET MOBILE CHARGER ASSY	1	

ELECTRICAL

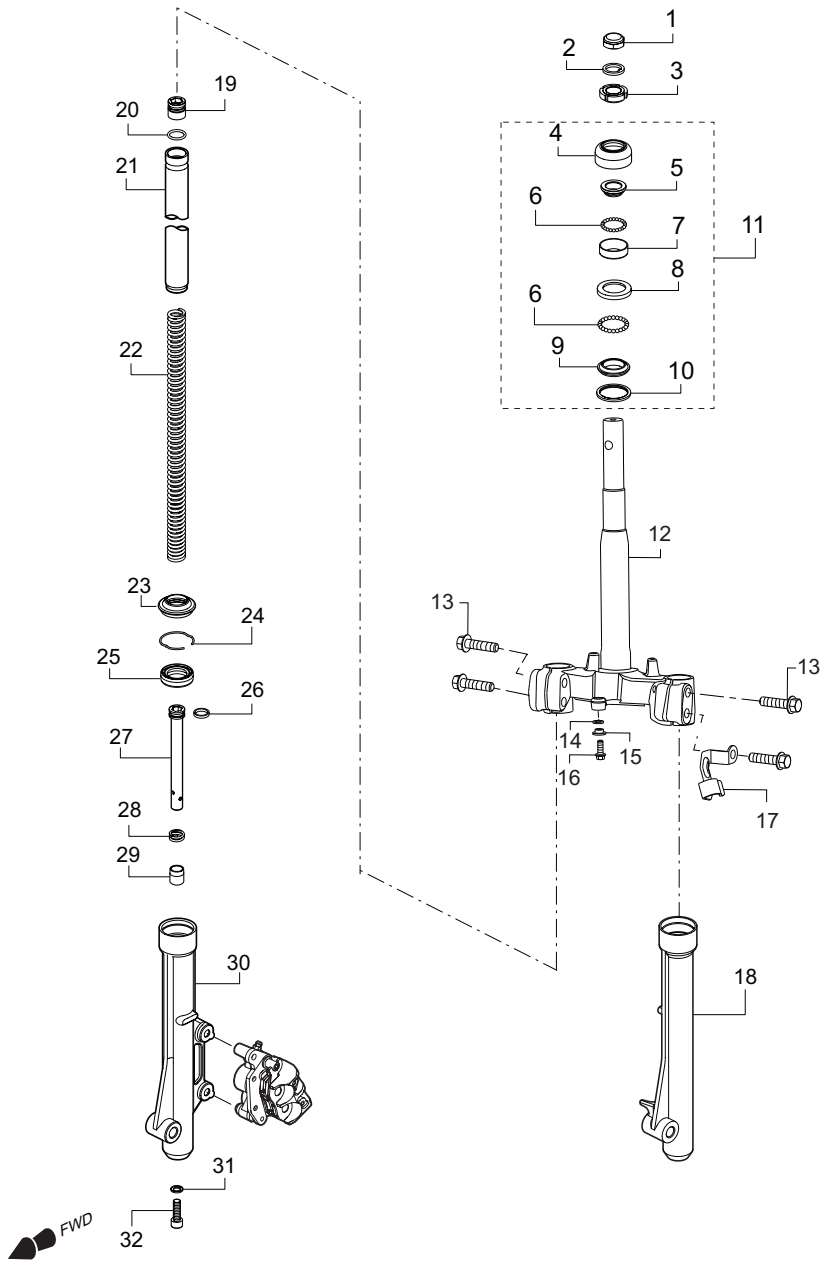


ELECTRICAL

FIG. NO. 22

REF. NO.	PART NO.	DESCRIPTION	QTY	REMARKS
26	R3320450	CAP SOCKET MOBILE CHARGER	1	
27	R3320480	O RING SOCKET MOBILE CHARGER	1	
28	R3320460	NUT SOCKET MOBILE CHARGER	1	
29	R3320470	WASHER SOCKET MOBILE CHARGER	1	
30	R1160260	SENSOR LEAD WIRE	1	
31	K3060260	THERMAL SENSOR	1	

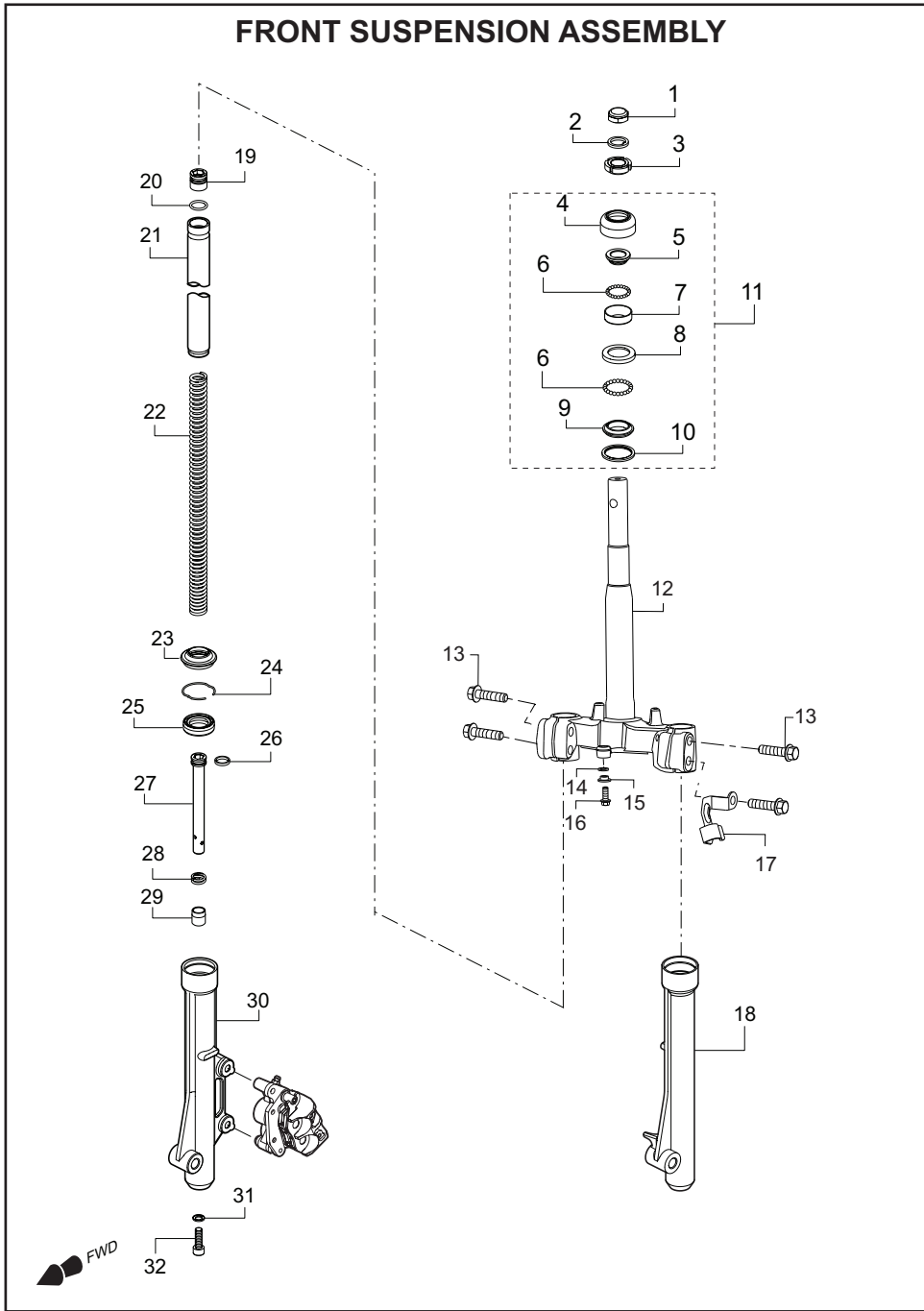
FRONT SUSPENSION ASSEMBLY



FRONT SUSPENSION ASSEMBLY

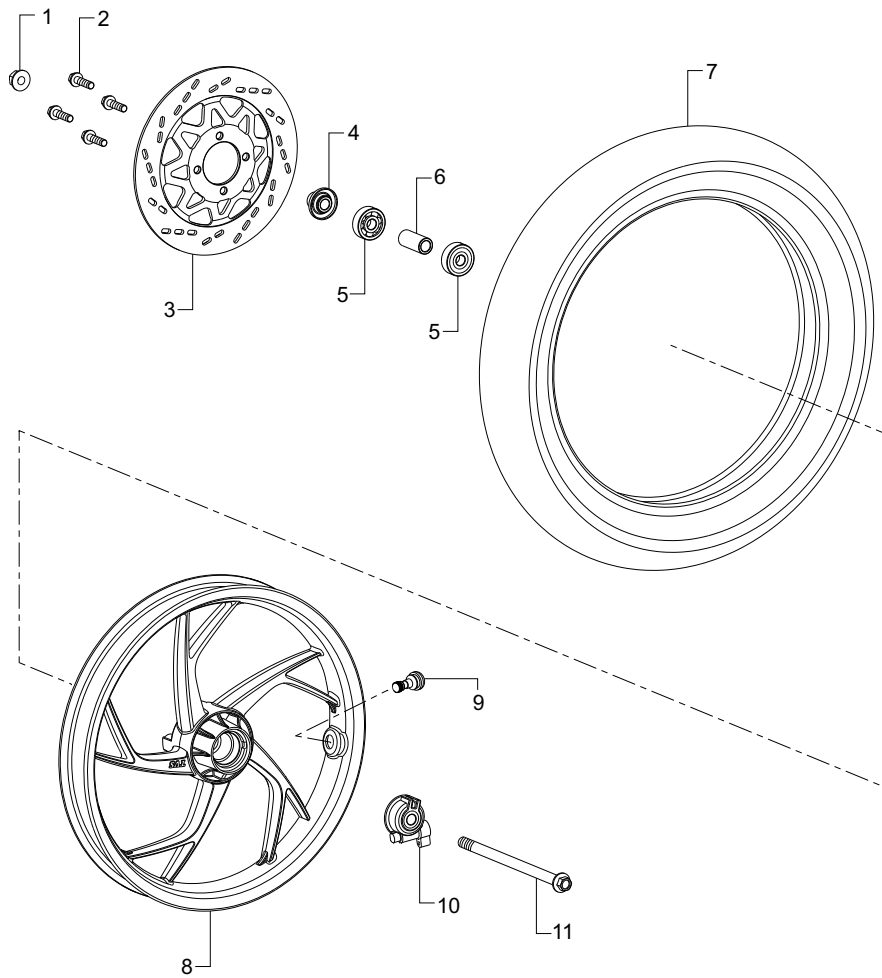
FIG. NO. 23

REF. NO.	PART NO.	DESCRIPTION	QTY	REMARKS
1	410058700	STEERING LOCK NUT	1	
2	K3100830	WASHER STEERING STEM	1	
3	0254088	ARRESTER STEERING STEM	1	
4	R1100290	DUST SEAL	1	
5	S1101150	RACE STEERING OUTER	1	
6	420404000	3/16 BALLS	51	
7	S1125290	RACE STEERING INNER	1	
8	R1121210	CUP BOTTOM	1	
9	R1100120	CONE BOTTOM	1	
10	R1100140	DUST SEAL	1	
11	R1321080	STEERING CONE KIT	1	
12	R4100010	LOWER BRKT ASSY WITH CONE BOTTOM & DUST SEAL	1	
13	R1200160	HEX FL BOLT M10x1.25x40	4	
14	420051000	SPRING WASHER B7	1	
15	R1200260	CUP WASHER	1	
16	N3200220	HEX FL BOLT M6x16 ZNG	1	
17	R4110160	CLAMP HOSE	1	
18	R11003007D	OUTER TUBE L	1	
19	R1100410	BOLT CAP	2	
20	R1100420	O RING	2	
21	R1100360	INNER TUBE ASSY	2	
22	R1100400	SPRING - 1	2	
23	R1100390	DUST SEAL	2	
24	R1100380	CIRCLIP	2	
25	R1100370	OIL SEAL	2	



FRONT SUSPENSION ASSEMBLY				FIG. NO. 23	
REF. NO.	PART NO.	DESCRIPTION	QTY	REMARKS	
	26	R1100350	PISTON RING	2	
	27	R1100330	PISTON	2	
	28	R1100340	SPRING - 2	2	
	29	R1100320	SPINDLE TAPER	2	
	30	R11003107D	OUTER TUBE R (DISC)	1	
	31	R1100430	GASKET, BIG	2	
	32	R1100440	BOLT HEX SOC HEAD (M8x1.25)	2	
	33	R11000607D	LEG ASSY L	1	
	34	R11001807D	LEG ASSY R	1	

FRONT WHEEL ASSEMBLY

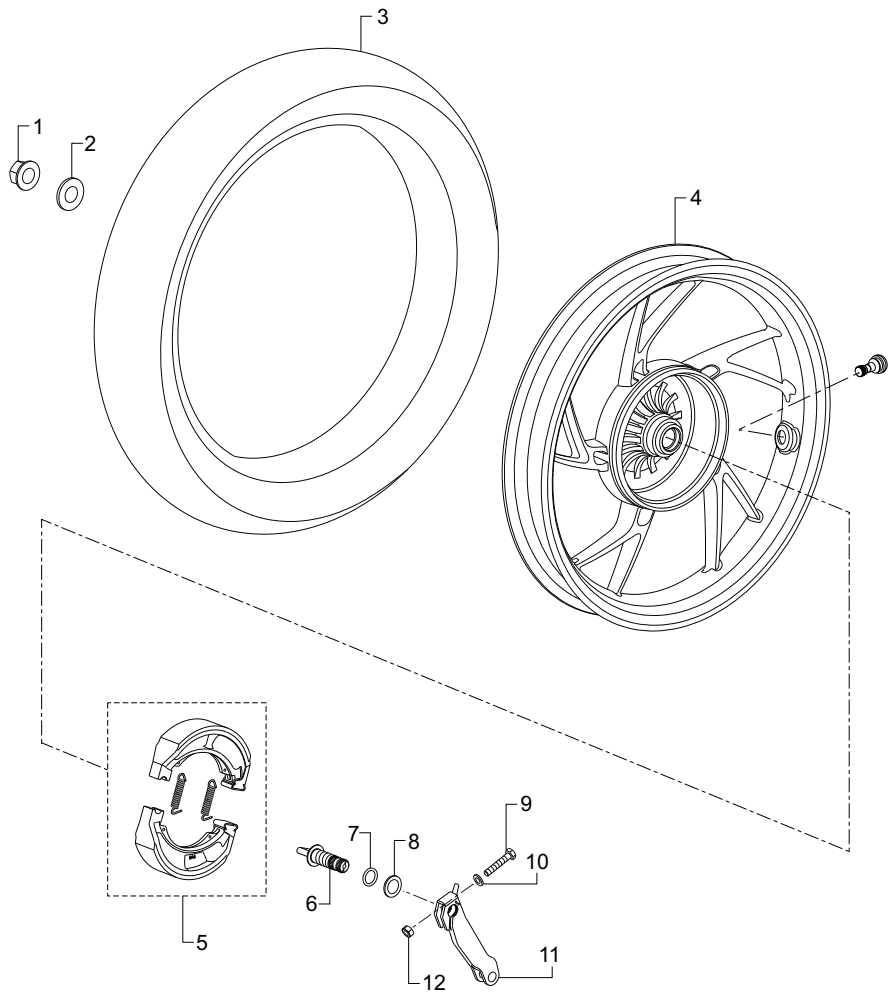


FRONT WHEEL ASSEMBLY

FIG. NO. 24

REF. NO.	PART NO.	DESCRIPTION	QTY	REMARKS
1	S1200790	HEX FLANGE U NUT M12x1.25	1	
2	M7110280	HEX FLANGED BOLT M8x30	4	
3	R1110430	DISC FRONT BRAKE	1	
4	R1110540	SPACER COMP	1	
5	N3200010	BALL BEARING 12x37x12 C3 6301 RS1	2	
6	R4110120	SPACER FR WHEEL	1	
7	R4110080	TYRE TUBELESS 80/90-14 FRONT	1	
8	R4110060	ALLOY WHEEL 14 1.60 5 DISC FRONT	1	
9	N9112880	VALVE TUBELESS TYRE	1	
10	R1110660	SPEEDO HUB DRIVE	1	
11	R1110580	AXLE DIA12x208	1	
12	R4110020	WHEEL ASSEMBLY FRONT	1	

REAR WHEEL ASSEMBLY

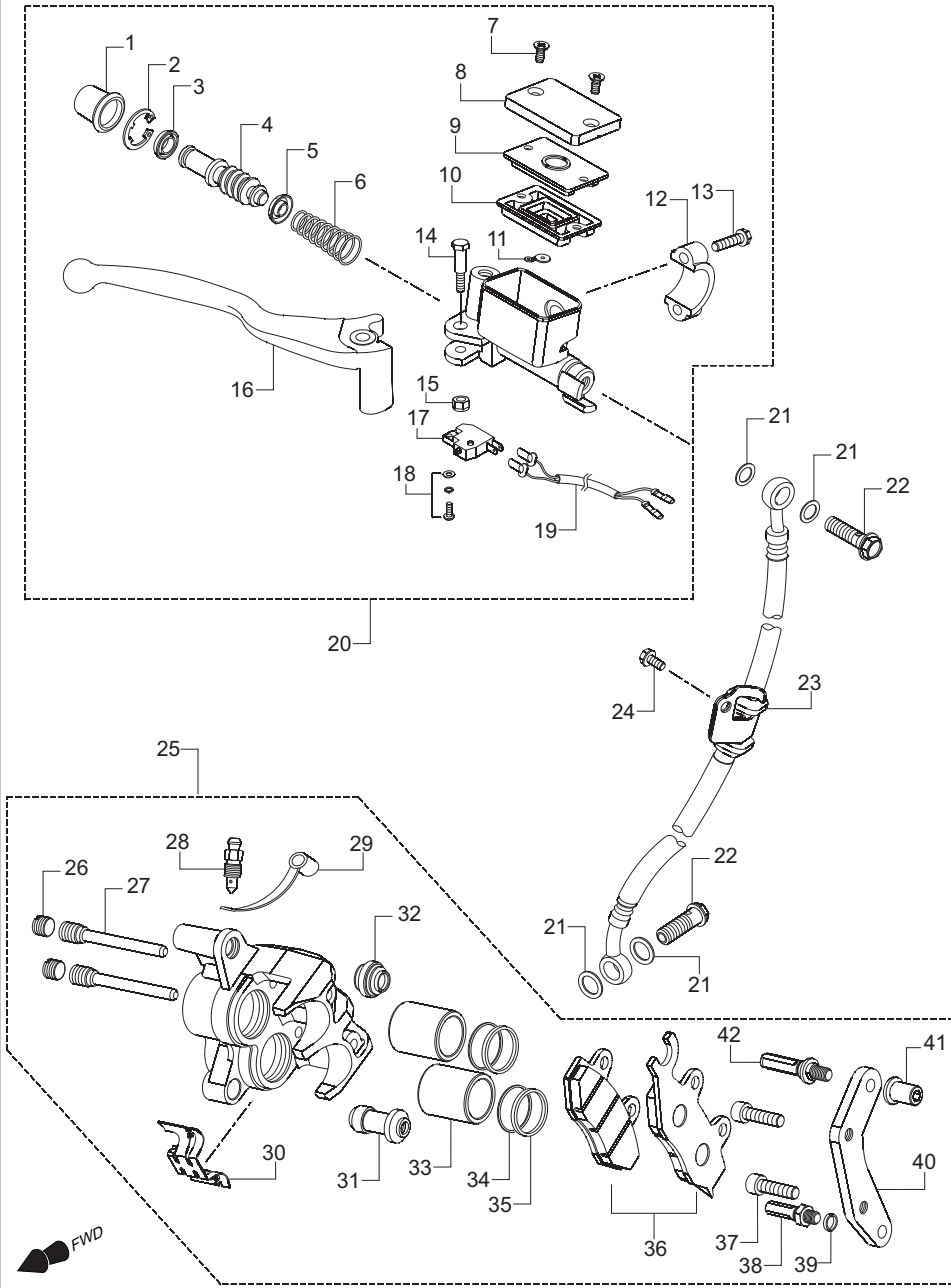


REAR WHEEL ASSEMBLY

FIG. NO. 25

REF. NO.	PART NO.	DESCRIPTION	QTY	REMARKS
1	S1200910	FLANGED U NUT M16x1.5	1	
2	S1111430	PUNCHED WASHER 16.5x33.2x3.15 ZNB	1	
3	R4110090	TYRE TUBELESS 90/80-14 REAR	1	
4	R4110070	ALLOY WHEEL 14 1.85 5 DRUM REAR	1	
5	K6320590	SHOE SET BRAKE 130 DIA/28MM WIDTH	1	
6	K6110840	BRAKE CAM REAR	1	
7	0178030	O RING BRAKE CAM-BRAKE	1	
8	0335698	PUNCHED WASHER 14.5x22x1.6 ZNB	1	
9	0331248	HEX BOLT M6x1.0X33 4.8 ZNB	1	
10	420001700	PUNCHED WASHER A6.6 ZNB	1	
11	R4110180	LEVER COMP BRAKE REAR	1	
12	420305700	HEX NUT M6 8 ZNB	1	
13	R4110040	WHEEL ASSY REAR	1	

DISC BRAKE ASSEMBLY (FRONT)



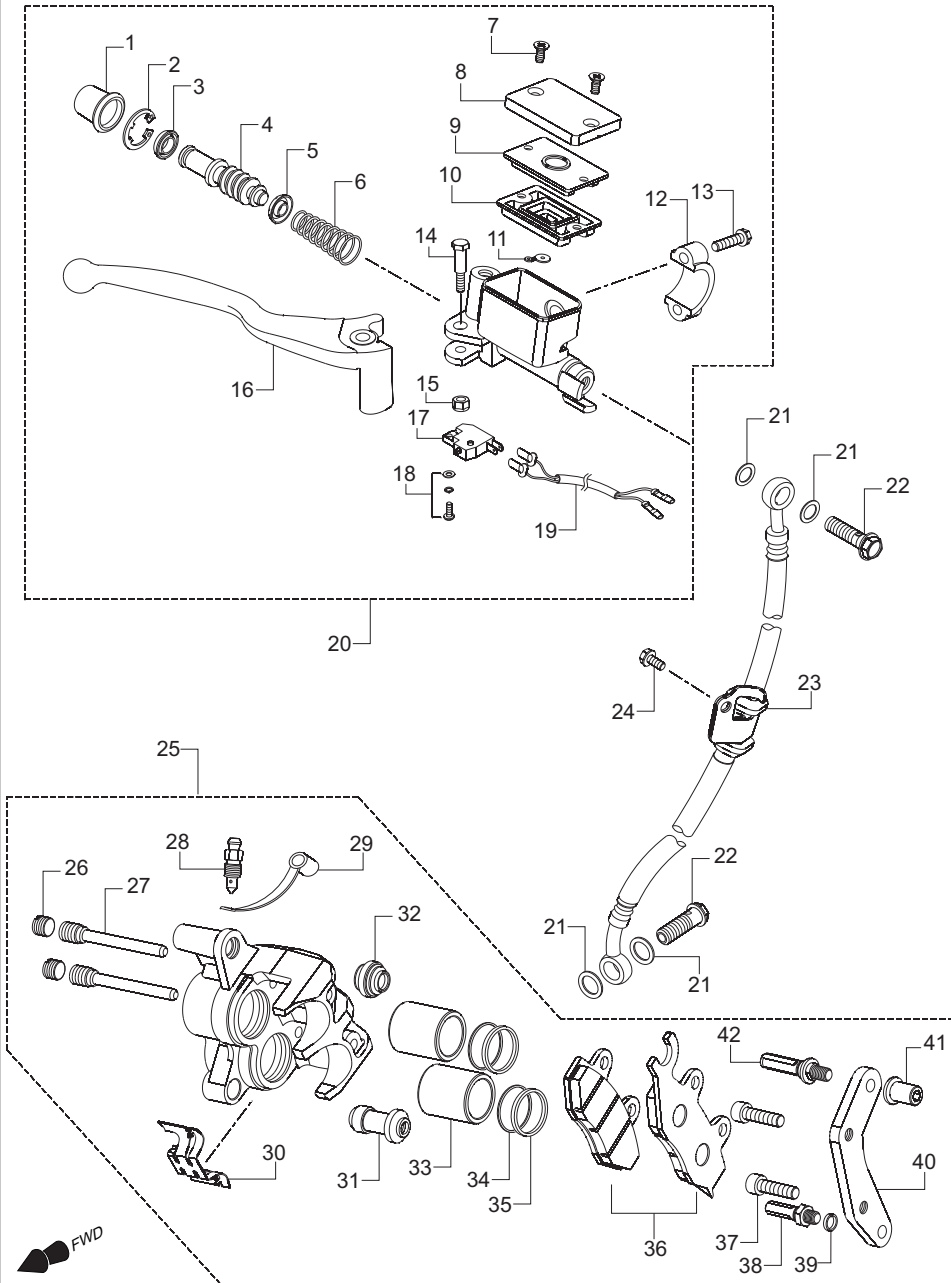
DISC BRAKE ASSEMBLY (FRONT)

FIG. NO. 26

REF. NO.	PART NO.	DESCRIPTION	QTY	KIT NO.
1	→	BOOT COMP	1	N9321490
2	→	CIRCLIP	1	"
3	→	SECONDARY CUP	1	"
4	→	PISTON	1	"
5	→	PRIMARY CUP	1	"
6	→	SPRING	1	"
7	→	SCREW PLATE M4x12	2	N9321530
8	→	RESERVOIR CAP	1	"
9	→	PLATE DIAPHRAGM	1	"
10	→	DIAPHRAGM	1	N9321490
11	→	PROTECTOR	1	"
12	→	HOLDER	1	N9321510
13	→	HOLDER BOLT	2	"
14	→	BOLT BRAKE LEVER	1	R1320240
15	→	FLANGE 6MM NUT	1	"
16	→	BRAKE LEVER	1	"
17	→	BRAKE SWITCH	1	N9321520
18	→	SCREW & WASHER	1	"
19	→	SUB HARNESS	1	"
20	R1150390	MASTER CYLINDER ASSY	1	
21	N9111330	WASHER BANJO	4	N9321540
22	N9111320	BANJO BOLT	2	"
23	→	KIT HOSE DISC BRAKE FRONT	1	"
24	0332275	CRR PAN HD SCREW M6x16	1	
25	R1110650	CALIPER ASSY	1	

NOTE : REFER PAGE NO. 50 FOR KIT DETAILS

DISC BRAKE ASSEMBLY (FRONT)



NOTE : REFER PAGE NO. 50 FOR KIT DETAILS

DISC BRAKE ASSEMBLY (FRONT)

FIG. NO. 26

REF. NO.	PART NO.	DESCRIPTION	QTY	KIT NO.
26	→	PLUG PIN	2	N9321550
27	→	PIN HANGER	2	"
28	→	BLEEDER	1	N9321600
29	→	CAP BLEEDER	1	"
30	→	PAD SPRING	1	N9321570
31	→	BUSH BOOT PIN	1	N9321550
32	→	BOOT B	1	"
33	→	PISTON CALIPER	2	"
34	→	SEAL PISTON	2	"
35	→	DUST SEAL	2	"
36	N9111300	KIT PAD ASSY	1	
37	U2200010	HEX FLANGE BOLT M8x27	2	
38	→	PIN BOLT B	1	N9321570
39	→	SPRING WASHER	1	"
40	→	BRACKET COMP FRONT	1	"
41	→	INNER HEX NUT	1	"
42	→	PIN BOLT A	1	"

PAINTED PARTS

DAZZ - RED



DAZZ - GREEN

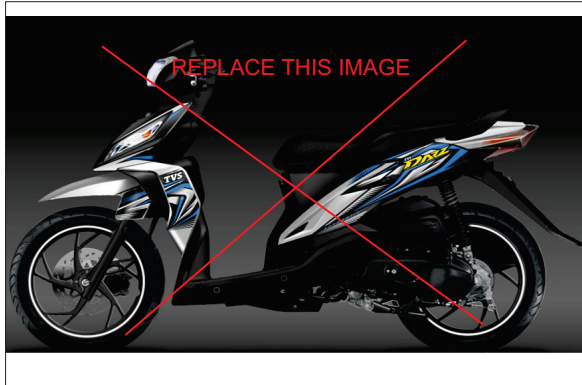


REF. NO.	PART NO.	DESCRIPTION
1	R42200300D	COVER FRONT
2	R42202894C	LEG SHIELD L
3	R42202994C	LEG SHIELD R
4	R42201000D	COVER FRAME L
5	R42201100D	COVER FRAME R
6	R42201290D	COVER FRAME CENTER
7	R42202504C	COVER LOWER L
8	R42202604C	COVER LOWER R
9	R42201894C	FENDER FRONT
10	R42201590D	COVER HANDLE FRONT
11	R4220940	TAPE SET RED

REF. NO.	PART NO.	DESCRIPTION
1	R42200300DA	COVER FRONT
2	R4220289CL	LEG SHIELD L
3	R4220299CL	LEG SHIELD R
4	R42201000DA	COVER FRAME L
5	R42201100DA	COVER FRAME R
6	R42201290D	COVER FRAME CENTER
7	R4220250CL	COVER LOWER L
8	R4220260CL	COVER LOWER R
9	R4220189CL	FENDER FRONT
10	R42201590D	COVER HANDLE FRONT
11	R4220950	TAPE SET RED

PAINTED PARTS

DAZZ - WHITE



REF. NO.	PART NO.	DESCRIPTION
1	R42200300DB	COVER FRONT
2	R42202891F	LEG SHIELD L
3	R42202991F	LEG SHIELD R
4	R42201000DB	COVER FRAME L
5	R42201100DB	COVER FRAME R
6	R42201290D	COVER FRAME CENTER
7	R42202501F	COVER LOWER L
8	R42202601F	COVER LOWER R
9	R42201891F	FENDER FRONT
10	R42201590D	COVER HANDLE FRONT
11	R4220960	TAPE SET RED

KIT DETAILS

S.No.	PART NO.	DESCRIPTION	KIT CONTENTS		
			S.No.	Description	Qty
1	N9321560	KIT CALIPER MINOR (FRONT)	1	BOOT B	1
			2	CAP BLEEDER	1
			3	SEAL - PISTON	2
			4	BUSH BOOT PIN	1
			5	DUST SEAL	2
2	N9321550	KIT CALIPER MAJOR (FRONT)	1	BUSH BOOT, PIN	1
			2	BOOT,B	1
			3	PAD SPRING	1
			4	DUST SEAL	2
			5	PIN HANGER	2
			6	PLUG,PIN	2
			7	PISTON, CALIPER	2
			8	SEAL , PISTON	2
3	N9321570	KIT CARRIER ASSY MAJOR (FRONT)	1	BRACKET COMP. FRONT	1
			2	PIN BOLT, B	1
			3	PIN BOLT, A	1
			4	INNER HEXAGON NUT	1
			5	SPRING WASHER	1
			6	BOOT,B	1
			7	BUSH BOOT PIN	1
4	N9321580	KIT CARRIER ASSY MINOR (FRONT)	1	BOOT,B	1
			2	BUSH BOOT PIN	1
5	N9111300	KIT PAD ASSY (FRONT)	1	PAD COMP OUTER	1
			2	PAD COMP INNER	1

KIT DETAILS

S.No.	PART NO.	DESCRIPTION	KIT CONTENTS		
			S.No.	Description	Qty
6	N9321600	KIT BLEEDER (FRONT)	1	BLEEDER	1
			2	CAP BLEEDER	1
7	R1320240	KIT LEVER	1	LEVER RH	1
			2	FLANGE NUT 6mm	1
			3	BOLT BRAKE LEVER	1
8	N9321510	KIT HOLDER (FRONT)	1	HOLDER	1
			2	HOLDER BOLT	2
9	N9321520	KIT SWITCH ASSY	1	SWITCH ASSY	1
			2	SUB HARNESS	1
			3	SCREW & WASHER	1
10	N9321530	KIT RESERVOIR (FRONT)	1	PLATE DIAPHRAGM	1
			2	RESERVOIR CAP	1
			3	SCREW.PLATE.M4x12	2
11	N9321540	KIT HOSE DISC BRAKE (FRONT)	1	BRAKE HOSE	1
			2	BANJO BOLT	2
			3	WASHER BANJO BOLT	4
12	N9321490	KIT MASTER CYLINDER MAJOR (FRONT)	1	BOOT COMP	1
			2	CIRCLIP	1
			3	SECONDARY CUP	1
			4	PISTON	1
			5	PRIMARY CUP	1
			6	SPRING	1
			7	DIAPHRAGM	1
			8	PROTECTOR	1

KIT DETAILS

S.No.	PART NO.	DESCRIPTION	KIT CONTENTS		
			S.No.	Description	Qty
13	R4320180	CYLINDER BLOCK & PISTON KIT	1	CYLINDER COMPLETE	1
			2	PISTON COMP STD	1
			3	RING PISTON TOP	1
			4	RING PISTON 2ND	1
			5	OIL RING SET	1
			6	PISTON PIN	1
			7	CIRCLIP	2
			8	GASKET CYLINDER HEAD	1
			9	GASKET CYLINDER	1

NUMERICAL INDEX

PART NO.	FIG. NO.	REF. NO.
0074010	3	5
0074010	7	9
0178030	25	7
0254038	12	44
0254088	23	3
0254096	12	38
0330318	17	22
0330328	5	8
0330328	17	19
0330408	1	25
0330408	4	15
0330408	11	18
0330408	21	7
0331248	25	9
0331708	1	15
0331708	13	1
0331708	17	12
0331718	6	18
0332038	12	3
0332068	11	8
0332078	3	7
0332238	17	18
0332238	22	6
0332248	6	1
0332275	17	9
0332275	19	4
0332275	20	9
0332275	26	24
0334108	1	24
0334268	12	45
0334548	16	11
0335528	17	26
0335558	4	9
0335558	13	2
0335558	17	13

PART NO.	FIG. NO.	REF. NO.
0335558	18	17
0335618	19	5
0335698	25	8
0335928	10	2
0339110	3	14
0339110	7	5
3160424	12	34
3168600	12	35
7130020	20	3
7130020	21	3
8200120	4	18
409047000	12	13
410058700	23	1
420001700	21	6
420001700	25	10
420008700	12	31
420051000	6	14
420051000	23	14
420053700	10	9
420305700	20	13
420305700	25	12
420308700	5	9
420404000	23	6
420464700	3	16
420476700	1	32
420496700	17	20
420515700	14	5
420702000	2	8
420955700	17	23
420957700	12	26
B4220380	21	5
F084010	1	43
F085230	1	44
F085230	3	10
F200098	4	8

PART NO.	FIG. NO.	REF. NO.
G3320130	9	21
G4010040	3	23
G4010040	4	25
G4040330	8	15
G5200300	20	14
G5200300	21	12
G5200310	10	10
G5200310	20	19
G5200360	12	36
K140820	8	3
K140820	11	1
K150420	12	4
K160240	12	21
K200120	3	8
K200160	17	24
K200320	14	9
K200320	18	8
K200320	20	10
K200320	21	1
K200570	12	32
K200570	17	25
K210800	15	6
K3010410	1	13
K3010470	1	14
K3010640	2	4
K3010680	1	6
K3011090	1	20
K3060190	3	3
K3060260	22	31
K3081320	6	7
K3081500	6	9
K3081530	6	4
K3081750	3	25
K3081880	3	27
K3082010	4	21

NUMERICAL INDEX

PART NO.	FIG. NO.	REF. NO.
K3082170	3	15
K3082170	4	12
K3082190	6	10
K3082760	6	16
K3090380	3	20
K3090380	4	26
K3090380	17	28
K3100830	23	2
K3110690	12	43
K3122140	16	6
K3150250	12	18
K3150270	12	19
K3150570	12	25
K3180280	4	11
K3200090	5	10
K3200420	12	16
K3200640	4	19
K3200660	12	28
K3200730	3	26
K3200760	6	15
K320380	9	25
K320680	9	5
K320780	9	15
K3320310	9	24
K3320340	9	19
K3320480	9	49
K3320500	9	8
K3320510	9	9
K3320530	9	27
K4010040	1	31
K4010080	1	41
K4010100	1	12
K4180090	4	2
K6010200	1	10
K6030250	3	22

PART NO.	FIG. NO.	REF. NO.
K6030250	4	27
K6040770	8	5
K6060120	22	18
K6060200	3	2
K6070390	5	7
K6080430	7	6
K6080440	7	4
K6080550	5	12
K6080590	5	20
K6080610	5	21
K6080630	5	18
K6080640	5	17
K6080750	6	5
K6080870	3	4
K6081200	5	5
K6081370	5	23
K6081380	6	8
K6090590	17	30
K6110840	25	6
K6122340	17	1
K6150190	12	14
K6150200	12	17
K6150210	12	23
K6150239	12	20
K6150249	12	22
K6150250	12	15
K6150270	17	16
K6150270	22	5
K6150350	19	11
K6150350	22	8
K6160400	14	4
K6170100	3	17
K6200060	17	31
K6200080	16	2
K6200110	2	7

PART NO.	FIG. NO.	REF. NO.
K6200160	3	12
K6200200	3	13
K6210100	17	14
K6210140	19	12
K6210140	22	7
K6210480	22	4
K6220910	10	5
K6220950	10	3
K6320590	25	5
M1010490	1	38
M1050310	10	6
M1080370	3	9
M1080400	4	22
M1080500	1	39
M1200430	4	20
M1200470	6	12
M1200470	7	12
M1200470	8	7
M1200510	1	26
M1200510	3	33
M1200510	20	5
M1200520	3	1
M1200520	11	19
M1200530	2	20
M1200530	11	11
M1200530	17	7
M1200660	8	11
M1200660	14	10
M1200670	21	8
M1200730	12	40
M1200770	5	24
M1200810	20	18
M1200820	4	14
M1200890	1	16
M1200890	10	7

NUMERICAL INDEX

PART NO.	FIG. NO.	REF. NO.
M1200900	15	9
M1201060	12	5
M7040060	11	15
M7110280	24	2
M7160120	19	6
N2010340	1	4
N2010350	1	3
N2010620	1	33
N2010690	2	6
N2011040	1	2
N2040940	1	22
N2200150	7	2
N2200340	2	5
N2200450	21	11
N2200490	2	12
N2320220	9	44
N2320310	9	26
N2320330	9	40
N2320340	9	42
N2320420	9	7
N2320610	9	39
N2320630	9	41
N3011140	1	7
N3011370	2	13
N3011600	2	14
N3011780	1	11
N3130040	15	7
N3160340	22	3
N3200010	24	5
N3200220	13	14
N3200220	23	16
N3200250	1	40
N3200340	20	2
N4011100	1	5
N4200130	13	11

PART NO.	FIG. NO.	REF. NO.
N5111200	17	32
N5120820	17	11
N5121610	16	12
N5200270	7	11
N5200500	3	29
N5320300	9	47
N5320400	9	48
N8040250	11	10
N8040340	11	17
N8040350	11	14
N8040370	11	12
N8060170	22	23
N8110710	16	3
N8122610	17	10
N8161720	22	25
N8200060	22	21
N8200080	12	27
N8200090	1	35
N9041670	11	4
N9111300	26	36
N9111320	26	22
N9111330	26	21
N9112880	24	9
N9122440	12	8
N9150700	12	7
N9160380	22	11
N9160840	22	16
N9200010	16	9
N920010	10	14
N9321490	26	1
N9321510	26	12
N9321520	26	17
N9321530	26	7
N9321540	26	21
N9321550	26	26

PART NO.	FIG. NO.	REF. NO.
N9321570	26	30
N9321600	26	28
P080610	6	6
P100480	8	4
P1040220	11	5
P1200150	4	10
P150280	10	4
P200480	10	8
P200530	10	11
P6010060	1	34
P6040110	8	14
R1010800	1	37
R1011120	2	17
R1011180	2	10
R1011200	1	36
R1040460	8	12
R1060200	22	19
R11000607D	23	33
R1100120	23	9
R1100140	23	10
R11001807D	23	34
R1100290	23	4
R11003007D	23	18
R11003107D	23	30
R1100320	23	29
R1100330	23	27
R1100340	23	28
R1100350	23	26
R1100360	23	21
R1100370	23	25
R1100380	23	24
R1100390	23	23
R1100400	23	22
R1100410	23	19
R1100420	23	20

NUMERICAL INDEX

PART NO.	FIG. NO.	REF. NO.
R1100430	23	31
R1100440	23	32
R1110430	24	3
R1110540	24	4
R1110580	24	11
R1110650	26	25
R1110660	24	10
R1121210	23	8
R1121310	20	7
R1121320	20	6
R1121330	20	4
R1121420	16	10
R1122340	17	4
R1130090	15	12
R1130110	15	11
R1130150	15	5
R1140220	13	13
R1140260	13	5
R1140340	8	17
R1140340	13	10
R1140350	13	15
R1140410	13	7
R1140440	8	13
R1140440	13	8
R1150270	12	6
R1150390	12	10
R1150390	26	20
R1150530	12	33
R1150900	12	12
R1160130	14	12
R1160150	18	5
R1160170	18	6
R1160170	21	16
R1160190	14	2
R1160200	14	1

PART NO.	FIG. NO.	REF. NO.
R1160220	14	3
R1160230	14	8
R1160260	22	30
R1160720	21	14
R1170040	18	16
R1200160	23	13
R1200260	23	15
R1200310	22	15
R1200380	14	19
R1200390	10	1
R1200410	1	42
R1200450	14	6
R1200500	13	4
R1200500	17	2
R1211580	19	8
R1220360	14	16
R1220360	17	5
R1220360	20	15
R1220590	21	13
R1220770	14	13
R1300050	19	10
R1300060	19	9
R1320180	18	9
R1320190	18	10
R1320240	12	11
R1320240	26	14
R1320290	18	12
R1320310	9	36
R1320320	9	37
R1320340	9	45
R1320360	9	2
R1320370	9	4
R1320390	9	28
R1320420	9	23
R1320430	9	18

PART NO.	FIG. NO.	REF. NO.
R1320440	9	16
R1320460	9	35
R1320470	9	33
R1320480	9	34
R1320490	9	29
R1320500	9	30
R1320510	9	32
R1320580	9	43
R1320640	19	13
R1320730	18	13
R1320740	18	14
R1321000	2	2
R1321010	2	2A
R1321020	2	2B
R1321080	23	11
R1321170	16	8
R1321340	22	12
R1321380	22	10
R1321390	22	2
R1321540	9	3
R1321550	9	10
R1321570	9	22
R1321600	9	20
R1321620	9	31
R1321630	9	12
R1321640	9	11
R1321650	9	13
R1321660	9	14
R1321670	9	1
R1321760	9	17
R1321800	9	46
R2040400	8	1
R2040400	11	3
R2130060	15	10
R2210090	27	1

NUMERICAL INDEX

PART NO.	FIG. NO.	REF. NO.
R2220820	12	1
R2220830	12	2
R3150030	12	37
R3150040	12	9
R3160090	22	13
R3160140	22	14
R3220640	14	14
R3320440	9	38
R3320450	22	26
R3320460	22	28
R3320470	22	29
R3320480	22	27
R4010040	2	15
R4010060	2	11
R4010070	2	3
R4010100	2	1
R4020010	2	9
R4020050	2	18
R4030040	4	23
R4030050	7	10
R4030070	7	8
R4030100	3	30
R4030110	6	11
R4030130	3	32
R4030150	3	21
R4030180	6	3
R4040010	8	19
R4040020	9	50
R4040040	1	27
R4040060	8	6
R4040070	8	10
R4040110	8	9
R4040120	8	8
R4040150	11	2
R4040160	11	16

PART NO.	FIG. NO.	REF. NO.
R4040250	1	23
R4040260	8	2
R4040270	8	16
R4040280	1	28
R4040300	11	13
R4040310	11	7
R4040320	11	9
R4040330	11	6
R4040350	8	18
R4050020	10	15
R4050030	10	12
R4060010	4	16
R4060030	22	20
R4060100	22	17
R4070020	5	4
R4070030	5	6
R4080030	7	1
R4080070	6	2
R4080120	3	28
R4080140	6	19
R4080180	6	17
R4080230	5	1
R4080240	5	22
R4080280	5	19
R4080330	7	3
R4080340	5	13
R4080350	5	11
R4080360	5	16
R4080370	5	15
R4080380	5	2
R4080400	5	3
R4080410	5	14
R4080420	3	6
R4090010	17	21
R4090020	17	27

PART NO.	FIG. NO.	REF. NO.
R4090050	17	29
R4100010	23	12
R4110020	24	12
R4110040	25	13
R4110060	24	8
R4110070	25	4
R4110080	24	7
R4110090	25	3
R4110120	24	6
R4110160	23	17
R4110180	25	11
R4120010	17	17
R4120220	16	1
R4120280	16	4
R4120330	20	8
R4120360	16	7
R4120610	17	3
R4120760	17	6
R4120790	3	19
R4120810	3	18
R4130020	15	1
R4130030	15	4
R4130040	15	3
R4130050	15	2
R4130070	15	8
R4140030	13	12
R4140040	13	16
R4140060	13	6
R4140260	13	9
R4150030	12	30
R4150210	19	14
R4160020	22	1
R4160030	13	3
R4160040	22	24
R4160060	14	11

NUMERICAL INDEX

PART NO.	FIG. NO.	REF. NO.
R4160070	18	15
R4160080	18	7
R4160090	21	15
R4160150	22	9
R4170010	12	39
R4170020	12	42
R4170040	12	41
R4180010	1	45
R4180030	4	7
R4180040	4	3
R4180050	4	5
R4180070	4	4
R4180080	2	21
R4180100	1	30
R4180110	1	29
R4180130	1	21
R4200020	7	7
R4200040	6	13
R42200300D	Page 38	1
R42200300DB	Page 39	1
R42200300DA	Page 38	1
R4220049	21	22
R4220050	21	10
R4220060	21	4
R4220070	20	16
R4220080	20	20
R4220090	20	24
R42201000D	Page 38	4
R42201000DA	Page 38	4
R42201000DB	Page 39	4
R42201100D	Page 38	5
R42201100DA	Page 38	5
R42201100DB	Page 39	5
R42201290D	Page 38	6
R42201290D	Page 38	6

PART NO.	FIG. NO.	REF. NO.
R42201290D	Page 39	6
R4220130	19	2
R4220140	17	8
R42201590D	Page 38	10
R42201590D	Page 38	10
R42201590D	Page 39	10
R4220160	14	7
R42201891F	Page 39	9
R42201894C	Page 38	9
R4220189CL	Page 38	9
R4220200	10	13
R4220210	14	15
R4220220	21	20
R4220230	21	18
R4220240	18	1
R42202501F	Page 39	7
R42202504C	Page 38	7
R4220250CL	Page 38	7
R42202601F	Page 39	8
R42202604C	Page 38	8
R4220260CL	Page 38	8
R42202891F	Page 39	2
R42202894C	Page 38	2
R4220289CL	Page 38	2
R42202991F	Page 39	3
R42202994C	Page 38	3
R4220299CL	Page 38	3
R4220300	20	25
R4220310	20	17
R4220320	18	11
R4220330	19	3
R4220400	17	15
R4220420	20	21
R4220940	Page 38	11
R4220950	Page 38	11

PART NO.	FIG. NO.	REF. NO.
R4220960	Page 39	11
R4221020	21	9
R4320040	18	4
R4320050	18	3
R4320070	22	22
R4320080	4	13
R4320090	4	17
R4320130	2	18A
R4320140	2	18B
R4320170	2	19
R4320180	2	22
S1010130	1	17
S1010240	1	9
S1010250	1	8
S1010320	1	1
S1090500	3	11
S1101150	23	5
S1111430	25	2
S1125290	23	7
S1125310	16	5
S1125320	4	6
S1125320	21	17
S1150500	12	29
S1200270	2	16
S1200270	3	24
S1200270	4	24
S1200680	3	31
S1200700	14	17
S1200700	19	1
S1200790	24	1
S1200820	12	24
S1200910	25	1
S1201000	4	1
S1201000	18	1
T4010320	1	19

PT TVS Motor Company Indonesia

Sales & Marketing Office:

Gedung Wirausaha Lantai 3 Jl. HR Rasuna Said Kav. C-5

Kuningan, Jakarta 12920, Indonesia

Telp: + 62 21 300 20570 Fax: +62 21 300 20576 www.tvsmotor.co.id

Pabrik:

Kawasan Industri Surya Cipta, Jl. Surya Madya Kav. 1-30,

Desa Kutanegara, Ciampel, Karawang 41361, Jawa Barat, Indonesia

Telp: + 62 267 8610125 Fax: + 62 27 8610124